

Product Overview

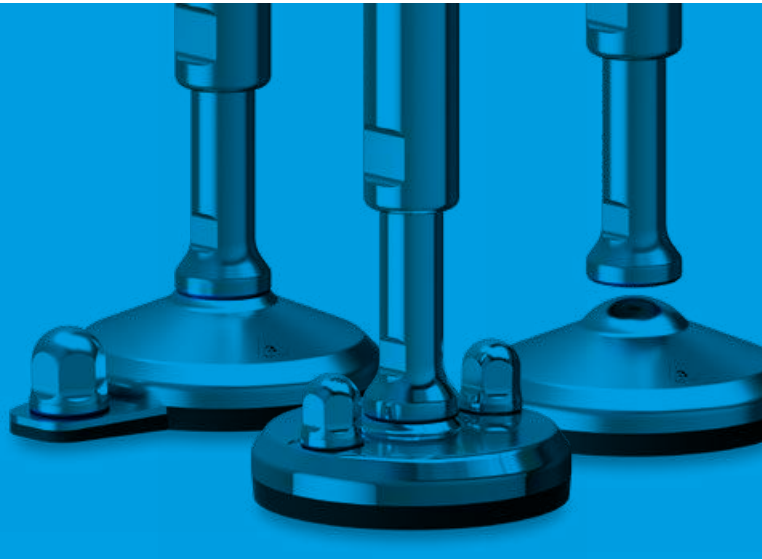


Movex
BlueLine

Leveling Feet



Movex[®]
OFFICIAL UK PARTNER



C500 Series



Pag 250

C500 Series SPLIT



Pag 255

C500 Series HEAVY



Pag 258

C500 Series HEAVY-SPLIT



Pag 263

Accessories

903



Pag 266

903



Pag 266

903



Pag 267

998



Pag 267

996



Pag 267

This catalog contains only a limited selection of all the products available at Movex S.p.A.
For a complete overview, please visit our website or contact your sales representative.

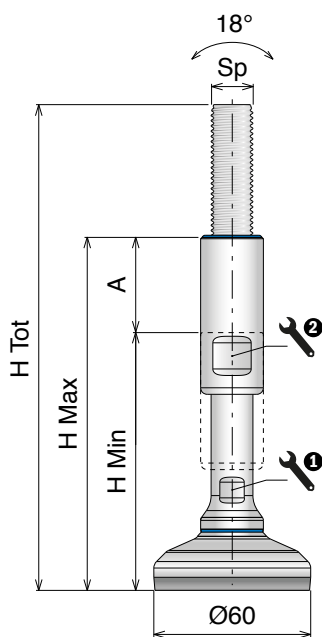
C500 Series

Piedi di livellamento / Leveling feet / Nivellierfüße

On request vulcanized rubber can be provided
white or blue and spindle can be made in AISI 316.

Materiale / Material / Materialien:

Base, stelo, rondella e boccia: Acciaio inox
Base plate, spindle, washer and cover: Stainless steel
Fussplatte, Spindel, Scheibe und Hülse: Edelstahl

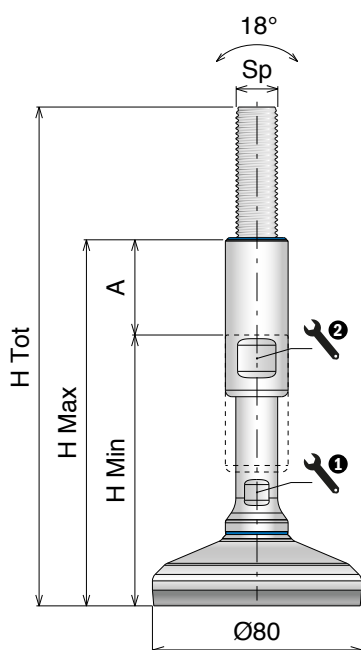


Ø60

DIAMETER (mm)



Art-Nr.	Sp	H Tot (mm)	H Min (mm)	H Max (mm)	A (mm)	1 (mm)	2 (mm)	Load (N)
902823	M12	185	105	150	45	10	17	4.500
902824		235	135	200	65	10	17	
902825	M16	185	105	150	45	13	19	4.500
902826		235	135	200	65	13	19	
902827	M20	185	105	150	45	17	24	4.500
902828		235	135	200	65	17	24	
902829	M24	185	105	150	45	19	30	4.500
902830		235	135	200	65	19	30	
902831	M30	185	105	150	45	24	36	4.500
902832		235	135	200	65	24	36	
902833		295	195	260	65	24	36	
902834	M36	185	105	150	45	30	42	4.500
902835		235	135	200	65	30	42	
902836		295	195	260	65	30	42	



Ø80

DIAMETER (mm)



Art-Nr.	Sp	H Tot (mm)	H Min (mm)	H Max (mm)	A (mm)	1 (mm)	2 (mm)	Load (N)
902837	M12	190	110	155	45	10	17	12.000
902838		240	140	205	65	10	17	
902839	M16	190	110	155	45	13	19	15.000
902840		240	140	205	65	13	19	
902841	M20	190	110	155	45	17	24	15.000
902842		240	140	205	65	17	24	
902843	M24	190	110	155	45	19	30	15.000
902844		240	140	205	65	19	30	
902845	M30	190	110	155	45	24	36	15.000
902846		240	140	205	65	24	36	
902847		300	200	265	65	24	36	
902848	M36	190	110	155	45	30	42	15.000
902849		240	140	205	65	30	42	
902850		300	200	265	65	30	42	



CERTIFIED PRODUCTS

ASK FOR CERTIFICATION:
certificate@movexii.com

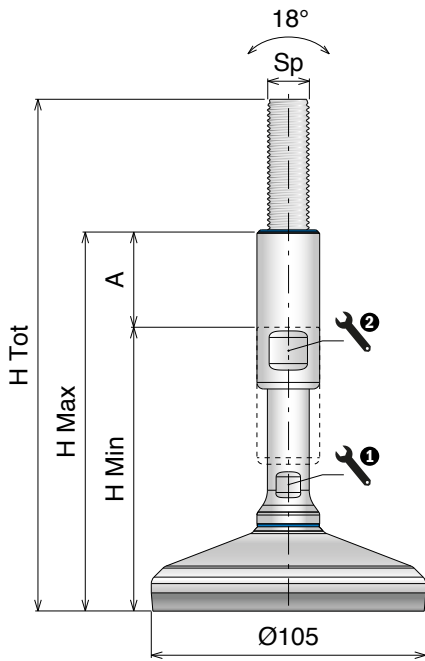
Materiale / Material / Materialien:

Base, stelo, rondella e boccia: Acciaio inox
 Base plate, spindle, washer and cover: Stainless steel
 Fussplatte, Spindel, Scheibe und Hülse: Edelstahl

On request vulcanized rubber can be provided
 white or blue and spindle can be made in AISI 316.

C500 Series

Piedi di livellamento / Leveling feet / Nivellierfüße

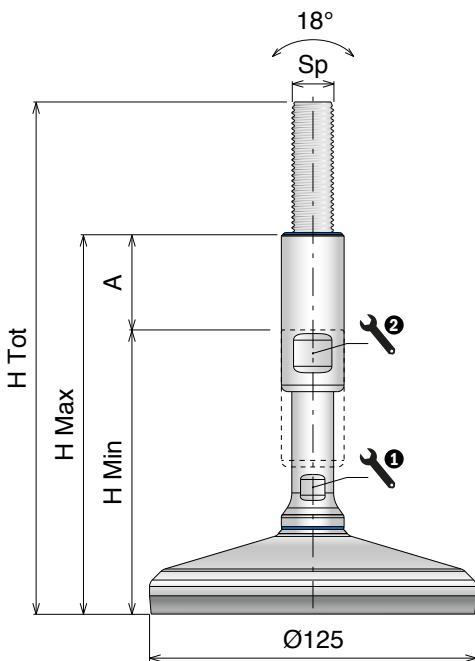


Ø105

DIAMETER (mm)



Art-Nr.	Sp	H Tot (mm)	H Min (mm)	H Max (mm)	A (mm)	1 (mm)	2 (mm)	Load (N)
902851	M12	195	115	160	45	10	17	12.000
902852		245	145	210	65	10	17	
902853	M16	195	115	160	45	13	19	25.000
902854		245	145	210	65	13	19	
902855	M20	195	115	160	45	17	24	25.000
902856		245	145	210	65	17	24	
902857	M24	195	115	160	45	19	30	25.000
902858		245	145	210	65	19	30	
902859	M30	195	115	160	45	24	36	25.000
902860		245	145	210	65	24	36	
902861		305	205	270	65	24	36	
902862	M36	195	115	160	45	30	42	25.000
902863		245	145	210	65	30	42	
902864		305	205	270	65	30	42	



Ø125

DIAMETER (mm)



Art-Nr.	Sp	H Tot (mm)	H Min (mm)	H Max (mm)	A (mm)	1 (mm)	2 (mm)	Load (N)
902865	M12	195	115	160	45	10	17	12.000
902866		245	145	210	65	10	17	
902867	M16	195	115	160	45	13	19	30.000
902868		245	145	210	65	13	19	
902869	M20	195	115	160	45	17	24	30.000
902870		245	145	210	65	17	24	
902871	M24	195	115	160	45	19	30	30.000
902872		245	145	210	65	19	30	
902873	M30	195	115	160	45	24	36	30.000
902874		245	145	210	65	24	36	
902875		305	205	270	65	24	36	
902876	M36	195	115	160	45	30	42	30.000
902877		245	145	210	65	30	42	
902878		305	205	270	65	30	42	

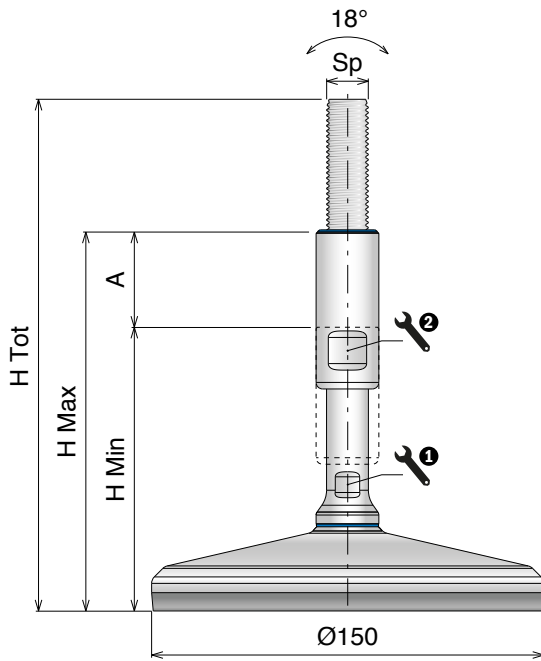
C500 Series

Piedi di livellamento / Leveling feet / Nivellierfüße

On request vulcanized rubber can be provided
white or blue and spindle can be made in AISI 316.

Materiale / Material / Materialien:

Base, stelo, rondella e boccia: Acciaio inox
Base plate, spindle, washer and cover: Stainless steel
Fussplatte, Spindel, Scheibe und Hülse: Edelstahl

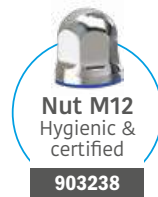
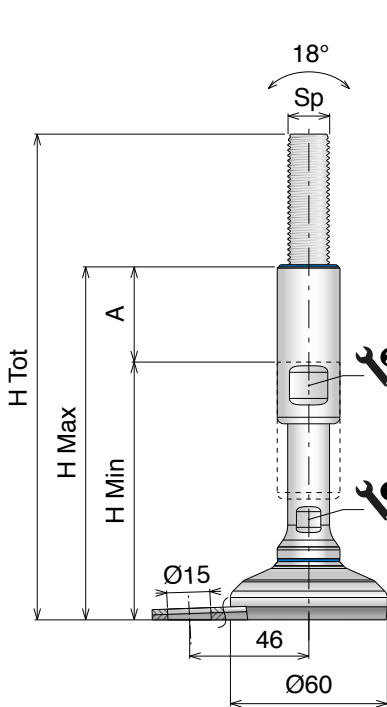


Ø 150

DIAMETER (mm)

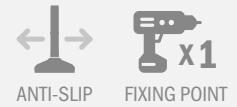


Art-Nr.	Sp	H Tot (mm)	H Min (mm)	H Max (mm)	A (mm)	1 (mm)	2 (mm)	Load (N)
902879	M12	195	115	160	45	10	17	12.000
902880		245	145	210	65	10	17	
902881	M16	195	115	160	45	13	19	30.000
902882		245	145	210	65	13	19	
902883	M20	195	115	160	45	17	24	45.000
902884		245	145	210	65	17	24	
902885	M24	195	115	160	45	19	30	45.000
902886		245	145	210	65	19	30	
902887	M30	195	115	160	45	24	36	45.000
902888		245	145	210	65	24	36	
902889		305	205	270	65	24	36	
902890	M36	195	115	160	45	30	42	45.000
902891		245	145	210	65	30	42	
902892		305	205	270	65	30	42	



Ø 60

DIAMETER (mm)



Art-Nr.	Sp	H Tot (mm)	H Min (mm)	H Max (mm)	A (mm)	1 (mm)	2 (mm)	Load (N)
902893	M12	185	105	150	45	10	17	4.500
902894		235	135	200	65	10	17	
902895	M16	185	105	150	45	13	19	4.500
902896		235	135	200	65	13	19	
902897	M20	185	105	150	45	17	24	4.500
902898		235	135	200	65	17	24	
902899	M24	185	105	150	45	19	30	4.500
902900		235	135	200	65	19	30	
902901	M30	185	105	150	45	24	36	4.500
902902		235	135	200	65	24	36	
902903		295	195	260	65	24	36	
902904	M36	185	105	150	45	30	42	4.500
902905		235	135	200	65	30	42	
902906		295	195	260	65	30	42	



CERTIFIED PRODUCTS

ASK FOR CERTIFICATION:
certificate@movexii.com

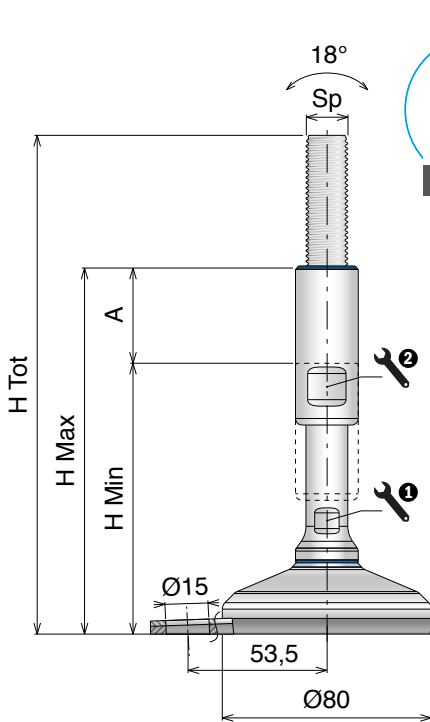
Materiale / Material / Materialien:

Base, stelo, rondella e boccia: Acciaio inox
 Base plate, spindle, washer and cover: Stainless steel
 Fussplatte, Spindel, Scheibe und Hülse: Edelstahl

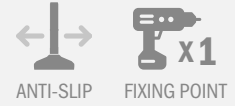
On request vulcanized rubber can be provided
 white or blue and spindle can be made in AISI 316.

C500 Series

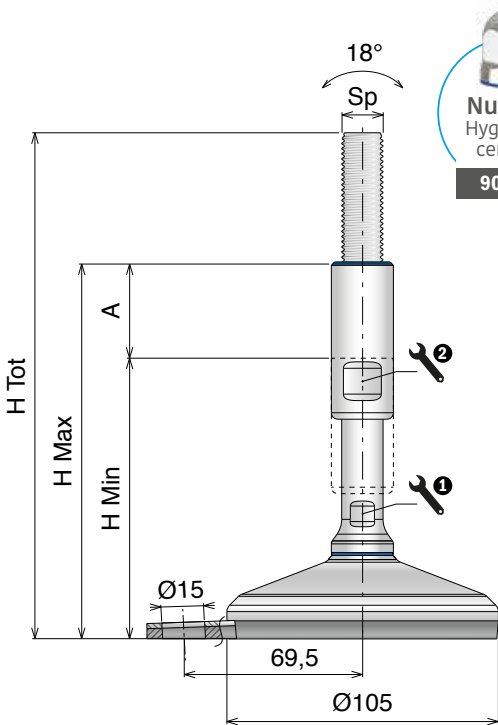
Piedi di livellamento / Leveling feet / Nivellierfüße



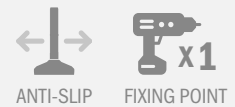
Ø 80
 DIAMETER (mm)



Art-Nr.	Sp	H Tot (mm)	H Min (mm)	H Max (mm)	A (mm)	1 (mm)	2 (mm)	Load (N)
902907	M12	190	110	155	45	10	17	12.000
902908		240	140	205	65	10	17	
902909	M16	190	110	155	45	13	19	15.000
902910		240	140	205	65	13	19	
902911	M20	190	110	155	45	17	24	15.000
902912		240	140	205	65	17	24	
902913	M24	190	110	155	45	19	30	15.000
902914		240	140	205	65	19	30	
902915	M30	190	110	155	45	24	36	15.000
902916		240	140	205	65	24	36	
902917		300	200	265	65	24	36	
902918	M36	190	110	155	45	30	42	15.000
902919		240	140	205	65	30	42	
902920		300	200	265	65	30	42	



Ø 105
 DIAMETER (mm)



Art-Nr.	Sp	H Tot (mm)	H Min (mm)	H Max (mm)	A (mm)	1 (mm)	2 (mm)	Load (N)
902921	M12	195	115	160	45	10	17	12.000
902922		245	145	210	65	10	17	
902923	M16	195	115	160	45	13	19	25.000
902924		245	145	210	65	13	19	
902925	M20	195	115	160	45	17	24	25.000
902926		245	145	210	65	17	24	
902927	M24	195	115	160	45	19	30	25.000
902928		245	145	210	65	19	30	
902929	M30	195	115	160	45	24	36	25.000
902930		245	145	210	65	24	36	
902931		305	205	270	65	24	36	
902932	M36	195	115	160	45	30	42	25.000
902933		245	145	210	65	30	42	
902934		305	205	270	65	30	42	



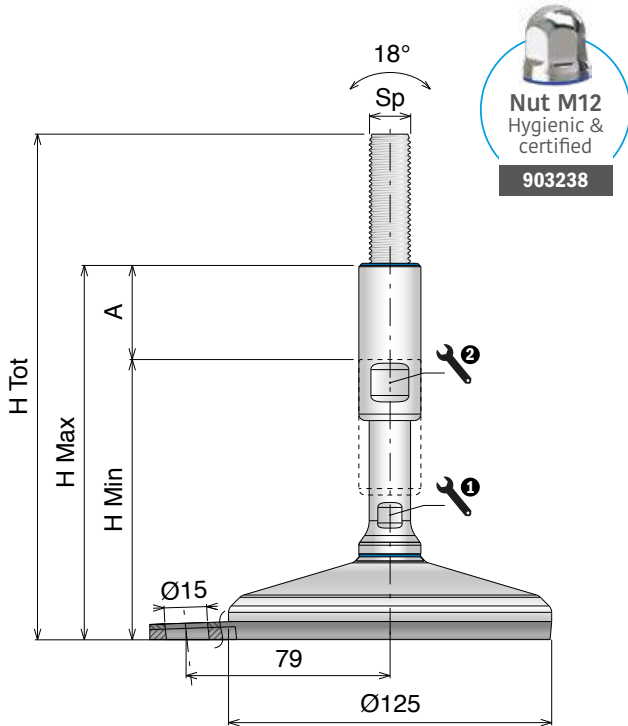
C500 Series

Piedi di livellamento / Leveling feet / Nivellierfüße

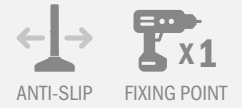
On request vulcanized rubber can be provided
white or blue and spindle can be made in AISI 316.

Materiale / Material / Materialien:

Base, stelo, rondella e boccola: Acciaio inox
Base plate, spindle, washer and cover: Stainless steel
Fussplatte, Spindel, Scheibe und Hülse: Edelstahl



Ø125
DIAMETER (mm)



Art-Nr.	Sp	H Tot (mm)	H Min (mm)	H Max (mm)	A (mm)	1 (mm)	2 (mm)	Load (N)
902935	M12	195	115	160	45	10	17	12.000
902936		245	145	210	65	10	17	
902937	M16	195	115	160	45	13	19	30.000
902938		245	145	210	65	13	19	
902939	M20	195	115	160	45	17	24	30.000
902940		245	145	210	65	17	24	
902941	M24	195	115	160	45	19	30	30.000
902942		245	145	210	65	19	30	
902943	M30	195	115	160	45	24	36	30.000
902944		245	145	210	65	24	36	
902945		305	205	270	65	24	36	
902946	M36	195	115	160	45	30	42	30.000
902947		245	145	210	65	30	42	
902948		305	205	270	65	30	42	



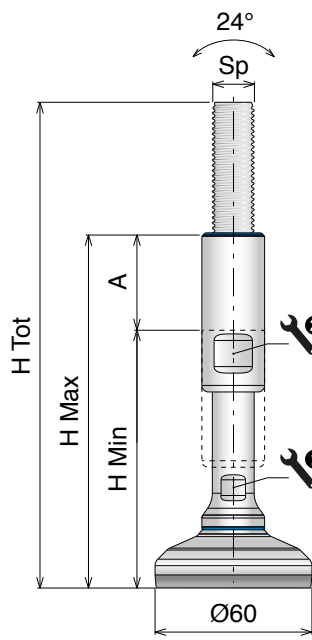
CERTIFIED PRODUCTS
ASK FOR CERTIFICATION:
certificate@movexii.com

Materiale / Material / Materialien:
 Base, stelo e boccia: Acciaio inox
 Base plate, spindle and cover: Stainless steel
 Fussplatte, Spindel und Hülse: Edelstahl

On request vulcanized rubber can be provided
 white or blue and spindle can be made in AISI 316.

C500 SPLIT

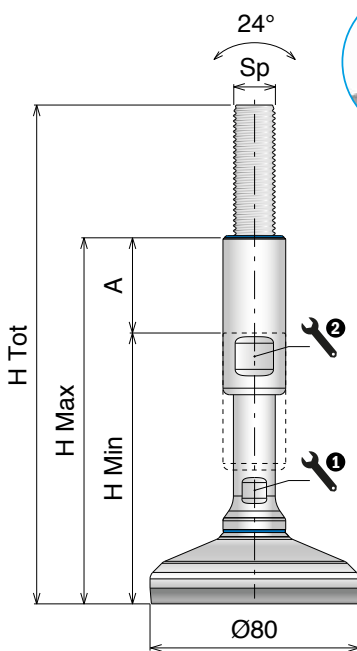
Piedi di livellamento / Leveling feet / Nivellierfüße



Ø60
 DIAMETER (mm)



Art-Nr.	Sp	H Tot (mm)	H Min (mm)	H Max (mm)	A (mm)	1 (mm)	2 (mm)	Load (N)
902949	M12	185	105	150	45	10	17	4.500
902950		235	135	200	65	10	17	
902951	M16	185	105	150	45	13	19	4.500
902952		235	135	200	65	13	19	
902953	M20	185	105	150	45	17	24	4.500
902954		235	135	200	65	17	24	
902955	M24	185	105	150	45	19	30	4.500
902956		235	135	200	65	19	30	
902957	M30	185	105	150	45	24	36	4.500
902958		235	135	200	65	24	36	
902959		295	195	260	65	24	36	
902960	M36	185	105	150	45	30	42	4.500
902961		235	135	200	65	30	42	
902962		295	195	260	65	30	42	



Ø80
 DIAMETER (mm)



Art-Nr.	Sp	H Tot (mm)	H Min (mm)	H Max (mm)	A (mm)	1 (mm)	2 (mm)	Load (N)
902963	M12	190	110	155	45	10	17	12.000
902964		240	140	205	65	10	17	
902965	M16	190	110	155	45	13	19	15.000
902966		240	140	205	65	13	19	
902967	M20	190	110	155	45	17	24	15.000
902968		240	140	205	65	17	24	
902969	M24	190	110	155	45	19	30	15.000
902970		240	140	205	65	19	30	
902971	M30	190	110	155	45	24	36	15.000
902972		240	140	205	65	24	36	
902973		300	200	265	65	24	36	
902974	M36	190	110	155	45	30	42	15.000
902975		240	140	205	65	30	42	
902976		300	200	265	65	30	42	



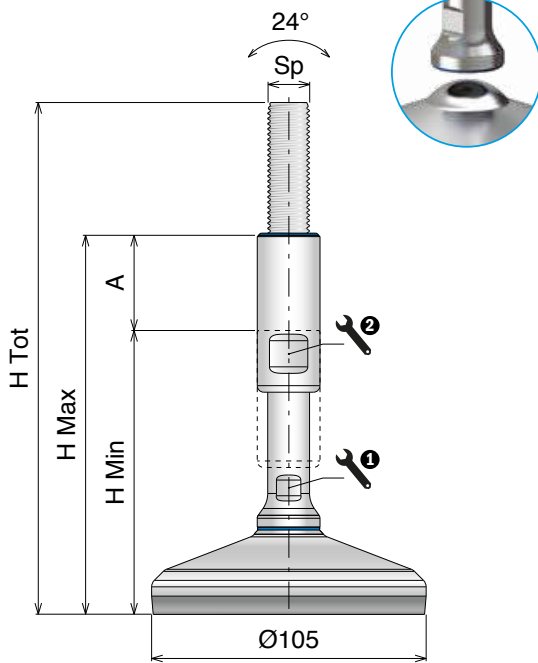
CERTIFIED PRODUCTS
 ASK FOR CERTIFICATION:
certificate@movexii.com

C500 SPLIT

Piedi di livellamento / Leveling feet / Nivellierfüße

On request vulcanized rubber can be provided
white or blue and spindle can be made in AISI 316.

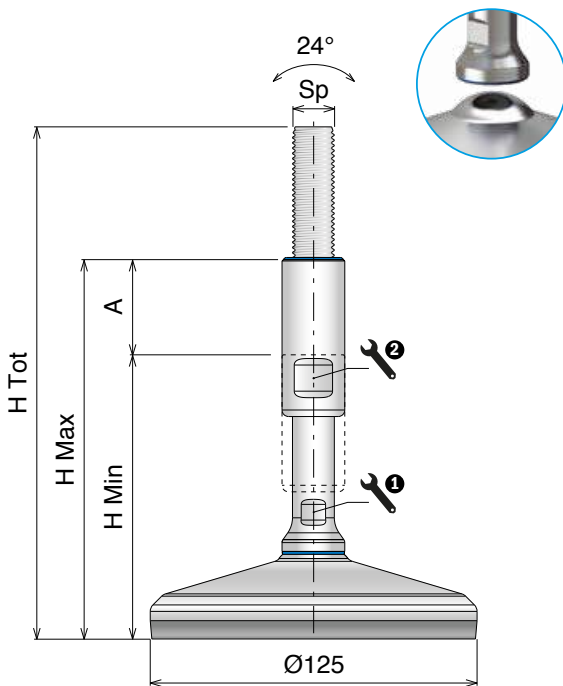
Materiale / Material / Materialien:
Base, stelo e boccola: Acciaio inox
Base plate, spindle and cover: Stainless steel
Fussplatte, Spindel und Hülse: Edelstahl



Ø105
DIAMETER (mm)



Art-Nr.	Sp	H Tot (mm)	H Min (mm)	H Max (mm)	A (mm)	1 (mm)	2 (mm)	Load (N)
902977	M12	195	115	160	45	10	17	12.000
902978		245	145	210	65	10	17	
902979	M16	195	115	160	45	13	19	25.000
902980		245	145	210	65	13	19	
902981	M20	195	115	160	45	17	24	25.000
902982		245	145	210	65	17	24	
902983	M24	195	115	160	45	19	30	25.000
902984		245	145	210	65	19	30	
902985	M30	195	115	160	45	24	36	25.000
902986		245	145	210	65	24	36	
902987		305	205	270	65	24	36	
902988	M36	195	115	160	45	30	42	25.000
902989		245	145	210	65	30	42	
902990		305	205	270	65	30	42	



Ø125
DIAMETER (mm)



Art-Nr.	Sp	H Tot (mm)	H Min (mm)	H Max (mm)	A (mm)	1 (mm)	2 (mm)	Load (N)
902991	M12	195	115	160	45	10	17	12.000
902992		245	145	210	65	10	17	
902993	M16	195	115	160	45	13	19	30.000
902994		245	145	210	65	13	19	
902995	M20	195	115	160	45	17	24	30.000
902996		245	145	210	65	17	24	
902997	M24	195	115	160	45	19	30	30.000
902998		245	145	210	65	19	30	
902999	M30	195	115	160	45	24	36	30.000
903000		245	145	210	65	24	36	
903001		305	205	270	65	24	36	
903002	M36	195	115	160	45	30	42	30.000
903003		245	145	210	65	30	42	
903004		305	205	270	65	30	42	



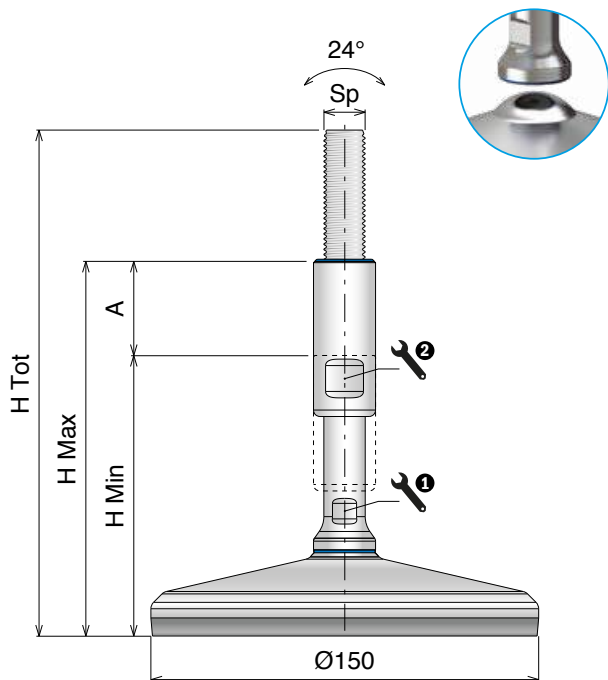
CERTIFIED PRODUCTS
ASK FOR CERTIFICATION:
certificate@movexii.com

Materiale / Material / Materialien:
 Base, stelo e boccia: Acciaio inox
 Base plate, spindle and cover: Stainless steel
 Fussplatte, Spindel und Hülse: Edelstahl

On request vulcanized rubber can be provided
 white or blue and spindle can be made in AISI 316.

C500 SPLIT

Piedi di livellamento / Leveling feet / Nivellierfüße



Ø150
 DIAMETER (mm)



Art-Nr.	Sp	H Tot (mm)	H Min (mm)	H Max (mm)	A (mm)	1 (mm)	2 (mm)	Load (N)
903005	M12	195	115	160	45	10	17	12.000
903006		245	145	210	65	10	17	
903007	M16	195	115	160	45	13	19	30.000
903008		245	145	210	65	13	19	
903009	M20	195	115	160	45	17	24	45.000
903010		245	145	210	65	17	24	
903011	M24	195	115	160	45	19	30	45.000
903012		245	145	210	65	19	30	
903013	M30	195	115	160	45	24	36	45.000
903014		245	145	210	65	24	36	
903015		305	205	270	65	24	36	
903016	M36	195	115	160	45	30	42	45.000
903017		245	145	210	65	30	42	
903018		305	205	270	65	30	42	



CERTIFIED PRODUCTS
 ASK FOR CERTIFICATION:
certificate@movexii.com

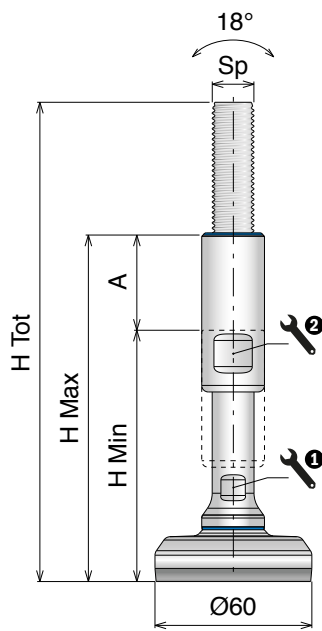
C500 HEAVY

Piedi di livellamento / Leveling feet / Nivellierfüße

On request vulcanized rubber can be provided
white or blue and spindle can be made in AISI 316.

Materiale / Material / Materialien:

Base, stelo, rondella e boccola: Acciaio inox
Base plate, spindle, washer and cover: Stainless steel
Fussplatte, Spindel, Scheibe und Hülse: Edelstahl



Ø60

DIAMETER (mm)

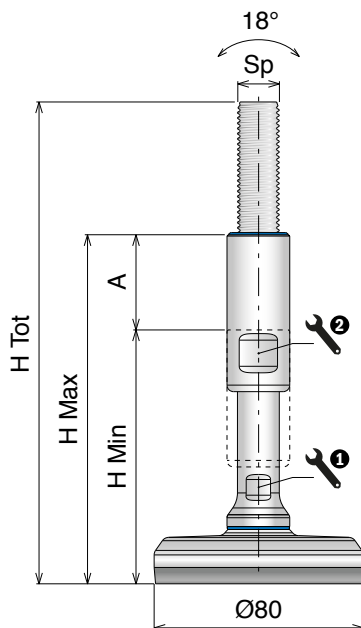


HIGH LOAD



ANTI-SLIP

Art-Nr.	Sp	H Tot (mm)	H Min (mm)	H Max (mm)	A (mm)	1 (mm)	2 (mm)	Load (N)
903019	M12	182,5	102,5	147,5	45	10	17	12.000
903020		232,5	132,5	197,5	65	10	17	
903021	M16	182,5	102,5	147,5	45	13	19	30.000
903022		232,5	132,5	197,5	65	13	19	
903023	M20	182,5	102,5	147,5	45	17	24	45.000
903024		232,5	132,5	197,5	65	17	24	
903025	M24	182,5	102,5	147,5	45	19	30	60.000
903026		232,5	132,5	197,5	65	19	30	
903027	M30	182,5	102,5	147,5	45	24	36	60.000
903028		232,5	132,5	197,5	65	24	36	
903029		292,5	192,5	257,5	65	24	36	
903030	M36	182,5	102,5	147,5	45	30	42	60.000
903031		232,5	132,5	197,5	65	30	42	
903032		292,5	192,5	257,5	65	30	42	



Ø80

DIAMETER (mm)



HIGH LOAD



ANTI-SLIP

Art-Nr.	Sp	H Tot (mm)	H Min (mm)	H Max (mm)	A (mm)	1 (mm)	2 (mm)	Load (N)
903033	M12	183,5	103,5	148,5	45	10	17	12.000
903034		233,5	133,5	198,5	65	10	17	
903035	M16	183,5	103,5	148,5	45	13	19	30.000
903036		233,5	133,5	198,5	65	13	19	
903037	M20	183,5	103,5	148,5	45	17	24	45.000
903038		233,5	133,5	198,5	65	17	24	
903039	M24	183,5	103,5	148,5	45	19	30	70.000
903040		233,5	133,5	198,5	65	19	30	
903041	M30	183,5	103,5	148,5	45	24	36	80.000
903042		233,5	133,5	198,5	65	24	36	
903043		293,5	193,5	258,5	65	24	36	
903044	M36	183,5	103,5	148,5	45	30	42	80.000
903045		233,5	133,5	198,5	65	30	42	
903046		293,5	193,5	258,5	65	30	42	



CERTIFIED PRODUCTS

ASK FOR CERTIFICATION:
certificate@movexii.com

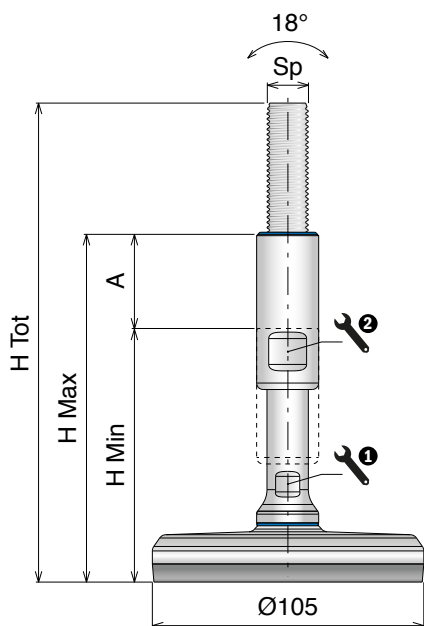
Materiale / Material / Materialien:

Base, stelo, rondella e boccia: Acciaio inox
 Base plate, spindle, washer and cover: Stainless steel
 Fussplatte, Spindel, Scheibe und Hülse: Edelstahl

On request vulcanized rubber can be provided
 white or blue and spindle can be made in AISI 316.

C500 HEAVY

Piedi di livellamento / Leveling feet / Nivellierfüße



Ø105

DIAMETER (mm)

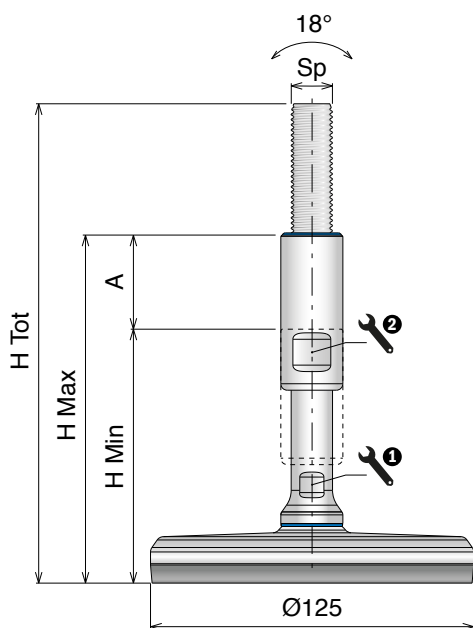


HIGH LOAD



ANTI-SLIP

Art-Nr.	Sp	H Tot (mm)	H Min (mm)	H Max (mm)	A (mm)	1 (mm)	2 (mm)	Load (N)
903047	M12	184,5	104,5	149,5	45	10	17	12.000
903048		234,5	134,5	199,5	65	10	17	
903049	M16	184,5	104,5	149,5	45	13	19	30.000
903050		234,5	134,5	199,5	65	13	19	
903051	M20	184,5	104,5	149,5	45	17	24	45.000
903052		234,5	134,5	199,5	65	17	24	
903053	M24	184,5	104,5	149,5	45	19	30	70.000
903054		234,5	134,5	199,5	65	19	30	
903055	M30	184,5	104,5	149,5	45	24	36	100.000
903056		234,5	134,5	199,5	65	24	36	
903057		294,5	194,5	259,5	65	24	36	
903058	M36	184,5	104,5	149,5	45	30	42	120.000
903059		234,5	134,5	199,5	65	30	42	
903060		294,5	194,5	259,5	65	30	42	



Ø125

DIAMETER (mm)



HIGH LOAD



ANTI-SLIP

Art-Nr.	Sp	H Tot (mm)	H Min (mm)	H Max (mm)	A (mm)	1 (mm)	2 (mm)	Load (N)
903061	M12	184,5	104,5	149,5	45	10	17	12.000
903062		234,5	134,5	199,5	65	10	17	
903063	M16	184,5	104,5	149,5	45	13	19	30.000
903064		234,5	134,5	199,5	65	13	19	
903065	M20	184,5	104,5	149,5	45	17	24	45.000
903066		234,5	134,5	199,5	65	17	24	
903067	M24	184,5	104,5	149,5	45	19	30	70.000
903068		234,5	134,5	199,5	65	19	30	
903069	M30	184,5	104,5	149,5	45	24	36	100.000
903070		234,5	134,5	199,5	65	24	36	
903071		294,5	194,5	259,5	65	24	36	
903072	M36	184,5	104,5	149,5	45	30	42	130.000
903073		234,5	134,5	199,5	65	30	42	
903074		294,5	194,5	259,5	65	30	42	



CERTIFIED PRODUCTS
 ASK FOR CERTIFICATION:
certificate@movexii.com

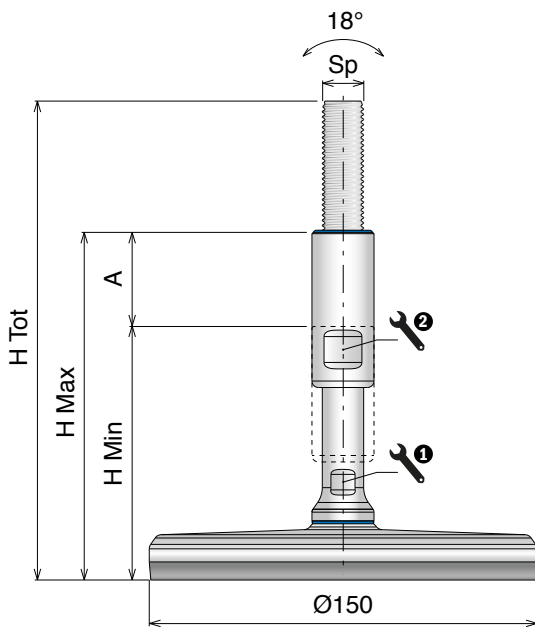
C500 HEAVY

Piedi di livellamento / Leveling feet / Nivellierfüße

On request vulcanized rubber can be provided
white or blue and spindle can be made in AISI 316.

Materiale / Material / Materialien:

Base, stelo, rondella e boccola: Acciaio inox
Base plate, spindle, washer and cover: Stainless steel
Fussplatte, Spindel, Scheibe und Hülse: Edelstahl



Ø 150

DIAMETER (mm)

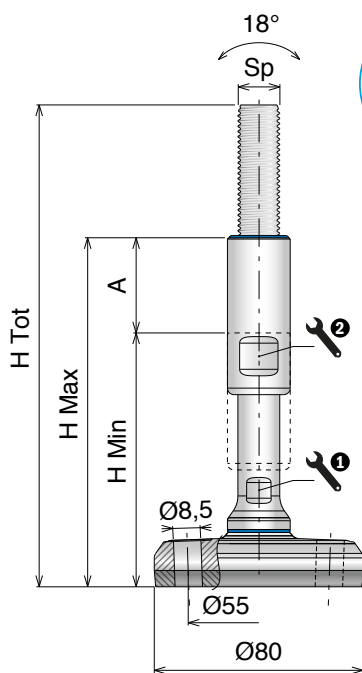


HIGH LOAD



ANTI-SLIP

Art-Nr.	Sp	H Tot (mm)	H Min (mm)	H Max (mm)	A (mm)	1 (mm)	2 (mm)	Load (N)
903075	M12	184,5	104,5	149,5	45	10	17	12.000
903076		234,5	134,5	199,5	65	10	17	
903077	M16	184,5	104,5	149,5	45	13	19	30.000
903078		234,5	134,5	199,5	65	13	19	
903079	M20	184,5	104,5	149,5	45	17	24	45.000
903080		234,5	134,5	199,5	65	17	24	
903081	M24	184,5	104,5	149,5	45	19	30	70.000
903082		234,5	134,5	199,5	65	19	30	
903083	M30	184,5	104,5	149,5	45	24	36	100.000
903084		234,5	134,5	199,5	65	24	36	
903085		294,5	194,5	259,5	65	24	36	
903086	M36	184,5	104,5	149,5	45	30	42	150.000
903087		234,5	134,5	199,5	65	30	42	
903088		294,5	194,5	259,5	65	30	42	



Ø 80

DIAMETER (mm)



HIGH LOAD



FIXING POINT



ANTI-SLIP

Art-Nr.	Sp	H Tot (mm)	H Min (mm)	H Max (mm)	A (mm)	1 (mm)	2 (mm)	Load (N)
903103	M12	183,5	103,5	148,5	45	10	17	12.000
903104		233,5	133,5	198,5	65	10	17	
903105	M16	183,5	103,5	148,5	45	13	19	30.000
903106		233,5	133,5	198,5	65	13	19	
903107	M20	183,5	103,5	148,5	45	17	24	45.000
903108		233,5	133,5	198,5	65	17	24	
903109	M24	183,5	103,5	148,5	45	19	30	70.000
903110		233,5	133,5	198,5	65	19	30	
903111	M30	183,5	103,5	148,5	45	24	36	80.000
903112		233,5	133,5	198,5	65	24	36	
903113		293,5	193,5	258,5	65	24	36	
903114	M36	183,5	103,5	148,5	45	30	42	80.000
903115		233,5	133,5	198,5	65	30	42	
903116		293,5	193,5	258,5	65	30	42	



CERTIFIED PRODUCTS
ASK FOR CERTIFICATION:
certificate@movexii.com

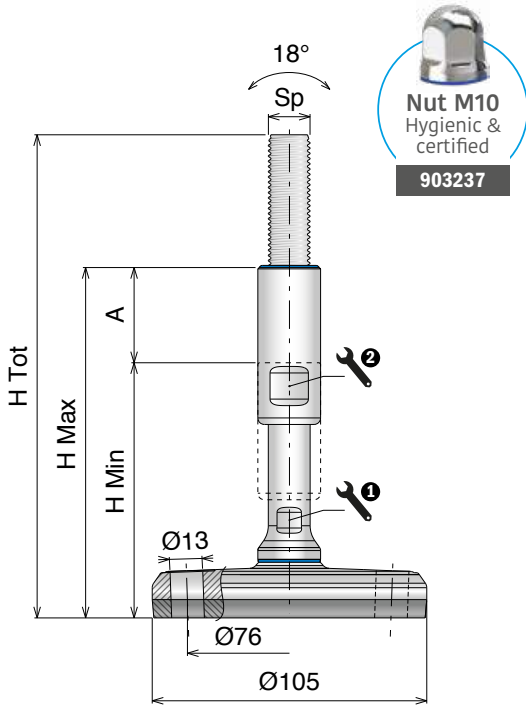
Materiale / Material / Materialien:

Base, stelo, rondella e boccia: Acciaio inox
 Base plate, spindle, washer and cover: Stainless steel
 Fussplatte, Spindel, Scheibe und Hülse: Edelstahl

On request vulcanized rubber can be provided
 white or blue and spindle can be made in AISI 316.

C500 HEAVY

Piedi di livellamento / Leveling feet / Nivellierfüße



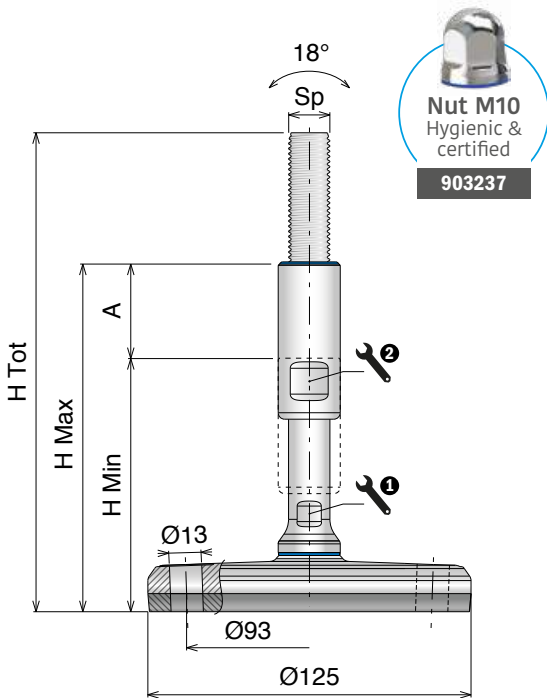
Ø105
 DIAMETER (mm)

Kg
 HIGH LOAD

X2
 FIXING POINT

←→
 ANTI-SLIP

Art-Nr.	Sp	H Tot (mm)	H Min (mm)	H Max (mm)	A (mm)	1 (mm)	2 (mm)	Load (N)
903117	M12	184,5	104,5	149,5	45	10	17	12.000
903118		234,5	134,5	199,5	65	10	17	
903119	M16	184,5	104,5	149,5	45	13	19	30.000
903120		234,5	134,5	199,5	65	13	19	
903121	M20	184,5	104,5	149,5	45	17	24	45.000
903122		234,5	134,5	199,5	65	17	24	
903123	M24	184,5	104,5	149,5	45	19	30	70.000
903124		234,5	134,5	199,5	65	19	30	
903125	M30	184,5	104,5	149,5	45	24	36	100.000
903126		234,5	134,5	199,5	65	24	36	
903127		294,5	194,5	259,5	65	24	36	
903128	M36	184,5	104,5	149,5	45	30	42	120.000
903129		234,5	134,5	199,5	65	30	42	
903130		294,5	194,5	259,5	65	30	42	



Ø125
 DIAMETER (mm)

Kg
 HIGH LOAD

X2
 FIXING POINT

←→
 ANTI-SLIP

Art-Nr.	Sp	H Tot (mm)	H Min (mm)	H Max (mm)	A (mm)	1 (mm)	2 (mm)	Load (N)
903131	M12	184,5	104,5	149,5	45	10	17	12.000
903132		234,5	134,5	199,5	65	10	17	
903133	M16	184,5	104,5	149,5	45	13	19	30.000
903134		234,5	134,5	199,5	65	13	19	
903135	M20	184,5	104,5	149,5	45	17	24	45.000
903136		234,5	134,5	199,5	65	17	24	
903137	M24	184,5	104,5	149,5	45	19	30	70.000
903138		234,5	134,5	199,5	65	19	30	
903139	M30	184,5	104,5	149,5	45	24	36	100.000
903140		234,5	134,5	199,5	65	24	36	
903141		294,5	194,5	259,5	65	24	36	
903142	M36	184,5	104,5	149,5	45	30	42	130.000
903143		234,5	134,5	199,5	65	30	42	
903144		294,5	194,5	259,5	65	30	42	

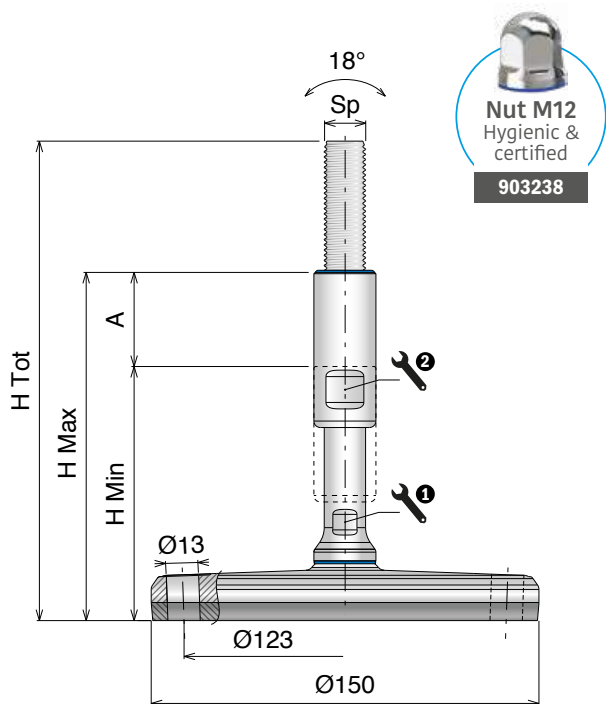
C500 HEAVY

Piedi di livellamento / Leveling feet / Nivellierfüße

On request vulcanized rubber can be provided
white or blue and spindle can be made in AISI 316.

Materiale / Material / Materialien:

Base, stelo, rondella e boccola: Acciaio inox
Base plate, spindle, washer and cover: Stainless steel
Fussplatte, Spindel, Scheibe und Hülse: Edelstahl



Ø 150

DIAMETER (mm)



HIGH LOAD



FIXING POINT



ANTI-SLIP

Art-Nr.	Sp	H Tot (mm)	H Min (mm)	H Max (mm)	A (mm)	1 (mm)	2 (mm)	Load (N)
903145	M12	184,5	104,5	149,5	45	10	17	12.000
903146		234,5	134,5	199,5	65	10	17	
903147	M16	184,5	104,5	149,5	45	13	19	30.000
903148		234,5	134,5	199,5	65	13	19	
903149	M20	184,5	104,5	149,5	45	17	24	45.000
903150		234,5	134,5	199,5	65	17	24	
903151	M24	184,5	104,5	149,5	45	19	30	70.000
903152		234,5	134,5	199,5	65	19	30	
903153	M30	184,5	104,5	149,5	45	24	36	100.000
903154		234,5	134,5	199,5	65	24	36	
903155		294,5	194,5	259,5	65	24	36	
903156	M36	184,5	104,5	149,5	45	30	42	150.000
903157		234,5	134,5	199,5	65	30	42	
903158		294,5	194,5	259,5	65	30	42	



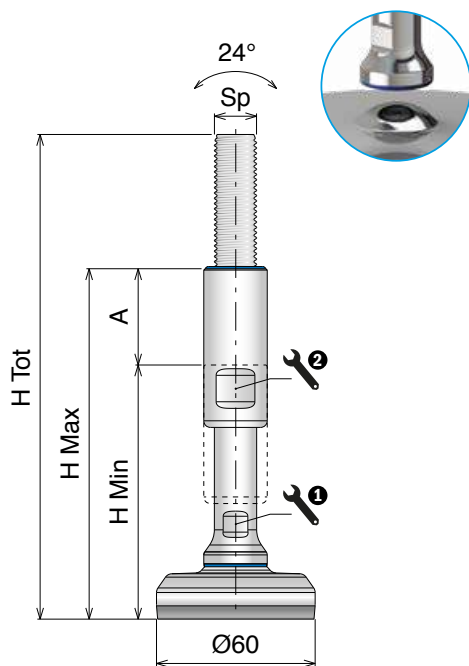
CERTIFIED PRODUCTS
ASK FOR CERTIFICATION:
certificate@movexii.com

Materiale / Material / Materialien:
 Base, stelo e boccola: Acciaio inox
 Base plate, spindle and cover: Stainless steel
 Fussplatte, Spindel und Hülse: Edelstahl

On request vulcanized rubber can be provided
 white or blue and spindle can be made in AISI 316.

C500 HEAVY-SPLIT

Piedi di livellamento / Leveling feet / Nivellierfüße



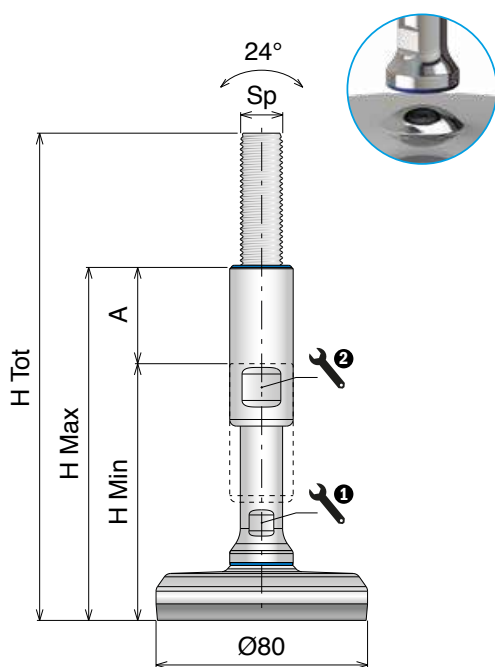
Ø60
 DIAMETER (mm)

Kg
 HIGH LOAD

Slit Version
 SLIT VERSION

Anti-Slip
 ANTI-SLIP

Art-Nr.	Sp	H Tot (mm)	H Min (mm)	H Max (mm)	A (mm)	1 (mm)	2 (mm)	Load (N)
903159	M12	182,5	102,5	147,5	45	10	17	12.000
903160		232,5	132,5	197,5	65	10	17	
903161	M16	182,5	102,5	147,5	45	13	19	30.000
903162		232,5	132,5	197,5	65	13	19	
903163	M20	182,5	102,5	147,5	45	17	24	45.000
903164		232,5	132,5	197,5	65	17	24	
903165	M24	182,5	102,5	147,5	45	19	30	60.000
903166		232,5	132,5	197,5	65	19	30	
903167	M30	182,5	102,5	147,5	45	24	36	60.000
903168		232,5	132,5	197,5	65	24	36	
903169		292,5	192,5	257,5	65	24	36	
903170	M36	182,5	102,5	147,5	45	30	42	60.000
903171		232,5	132,5	197,5	65	30	42	
903172		292,5	192,5	257,5	65	30	42	



Ø80
 DIAMETER (mm)

Kg
 HIGH LOAD

Slit Version
 SLIT VERSION

Anti-Slip
 ANTI-SLIP

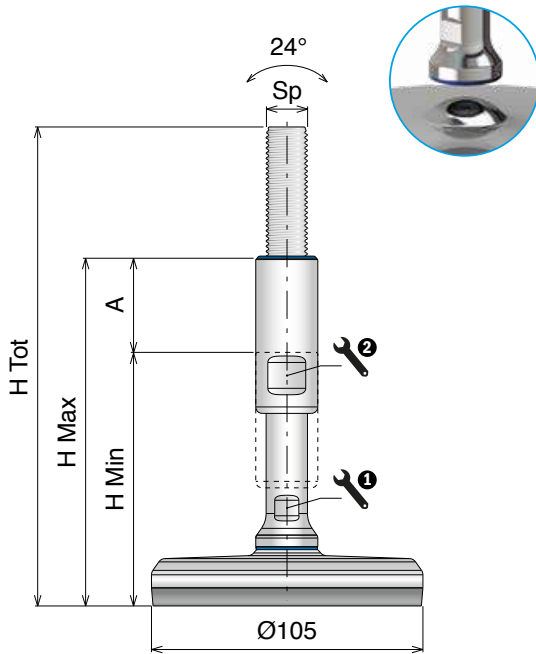
Art-Nr.	Sp	H Tot (mm)	H Min (mm)	H Max (mm)	A (mm)	1 (mm)	2 (mm)	Load (N)
903173	M12	183,5	103,5	148,5	45	10	17	12.000
903174		233,5	133,5	198,5	65	10	17	
903175	M16	183,5	103,5	148,5	45	13	19	30.000
903176		233,5	133,5	198,5	65	13	19	
903177	M20	183,5	103,5	148,5	45	17	24	45.000
903178		233,5	133,5	198,5	65	17	24	
903179	M24	183,5	103,5	148,5	45	19	30	70.000
903180		233,5	133,5	198,5	65	19	30	
903181	M30	183,5	103,5	148,5	45	24	36	80.000
903182		233,5	133,5	198,5	65	24	36	
903183		293,5	193,5	258,5	65	24	36	
903184	M36	183,5	103,5	148,5	45	30	42	80.000
903185		233,5	133,5	198,5	65	30	42	
903186		293,5	193,5	258,5	65	30	42	

C500 HEAVY-SPLIT

Piedi di livellamento / Leveling feet / Nivellierfüße

On request vulcanized rubber can be provided
white or blue and spindle can be made in AISI 316.

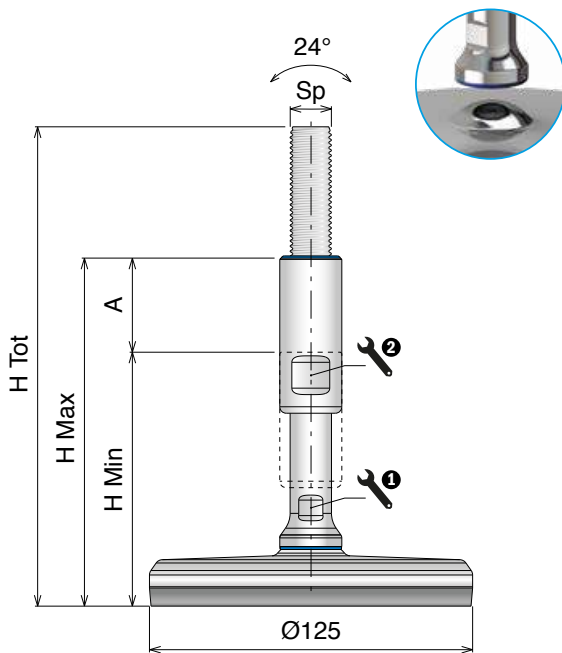
Materiale / Material / Materialien:
Base, stelo e boccola: Acciaio inox
Base plate, spindle and cover: Stainless steel
Fussplatte, Spindel und Hülse: Edelstahl



Ø105
DIAMETER (mm)

Kg
HIGH LOAD SLIT VERSION ANTI-SLIP

Art-Nr.	Sp	H Tot (mm)	H Min (mm)	H Max (mm)	A (mm)	1 (mm)	2 (mm)	Load (N)
903187	M12	184,5	104,5	149,5	45	10	17	12.000
903188		234,5	134,5	199,5	65	10	17	
903189	M16	184,5	104,5	149,5	45	13	19	30.000
903190		234,5	134,5	199,5	65	13	19	
903191	M20	184,5	104,5	149,5	45	17	24	45.000
903192		234,5	134,5	199,5	65	17	24	
903193	M24	184,5	104,5	149,5	45	19	30	70.000
903194		234,5	134,5	199,5	65	19	30	
903195	M30	184,5	104,5	149,5	45	24	36	100.000
903196		234,5	134,5	199,5	65	24	36	
903197		294,5	194,5	259,5	65	24	36	
903198	M36	184,5	104,5	149,5	45	30	42	120.000
903199		234,5	134,5	199,5	65	30	42	
903200		294,5	194,5	259,5	65	30	42	



Ø125
DIAMETER (mm)

Kg
HIGH LOAD SLIT VERSION ANTI-SLIP

Art-Nr.	Sp	H Tot (mm)	H Min (mm)	H Max (mm)	A (mm)	1 (mm)	2 (mm)	Load (N)
903201	M12	184,5	104,5	149,5	45	10	17	12.000
903202		234,5	134,5	199,5	65	10	17	
903203	M16	184,5	104,5	149,5	45	13	19	30.000
903204		234,5	134,5	199,5	65	13	19	
903205	M20	184,5	104,5	149,5	45	17	24	45.000
903206		234,5	134,5	199,5	65	17	24	
903207	M24	184,5	104,5	149,5	45	19	30	70.000
903208		234,5	134,5	199,5	65	19	30	
903209	M30	184,5	104,5	149,5	45	24	36	100.000
903210		234,5	134,5	199,5	65	24	36	
903211		294,5	194,5	259,5	65	24	36	
903212	M36	184,5	104,5	149,5	45	30	42	130.000
903213		234,5	134,5	199,5	65	30	42	
903214		294,5	194,5	259,5	65	30	42	



CERTIFIED PRODUCTS
ASK FOR CERTIFICATION:
certificate@movexii.com

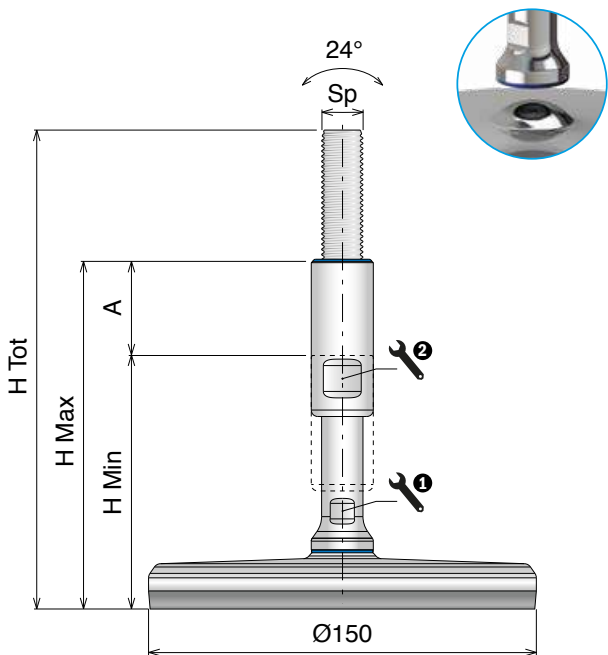
Materiale / Material / Materialien:

Base, stelo e boccia: Acciaio inox
 Base plate, spindle and cover: Stainless steel
 Fussplatte, Spindel und Hülse: Edelstahl

On request vulcanized rubber can be provided
 white or blue and spindle can be made in AISI 316.

C500 HEAVY-SPLIT

Piedi di livellamento / Leveling feet / Nivellierfüße



Ø 150
 DIAMETER (mm)



HIGH LOAD



SLIT VERSION



ANTI-SLIP

Art-Nr.	Sp	H Tot (mm)	H Min (mm)	H Max (mm)	A (mm)	1 (mm)	2 (mm)	Load (N)
903215	M12	184,5	104,5	149,5	45	10	17	12.000
903216		234,5	134,5	199,5	65	10	17	
903217	M16	184,5	104,5	149,5	45	13	19	30.000
903218		234,5	134,5	199,5	65	13	19	
903219	M20	184,5	104,5	149,5	45	17	24	45.000
903220		234,5	134,5	199,5	65	17	24	
903221	M24	184,5	104,5	149,5	45	19	30	70.000
903222		234,5	134,5	199,5	65	19	30	
903223	M30	184,5	104,5	149,5	45	24	36	100.000
903224		234,5	134,5	199,5	65	24	36	
903225		294,5	194,5	259,5	65	24	36	
903226	M36	184,5	104,5	149,5	45	30	42	150.000
903227		234,5	134,5	199,5	65	30	42	
903228		294,5	194,5	259,5	65	30	42	



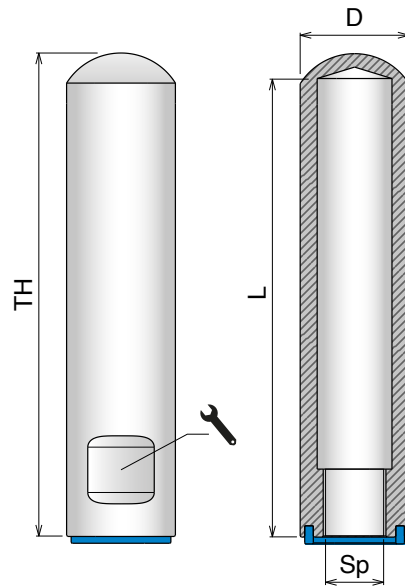
CERTIFIED PRODUCTS
 ASK FOR CERTIFICATION:
certificate@movexii.com

903 Boccola superiore certificata ed igienica Certified hygienic top cover / Zertifiziert hygienische Abdeckülse



Main features:

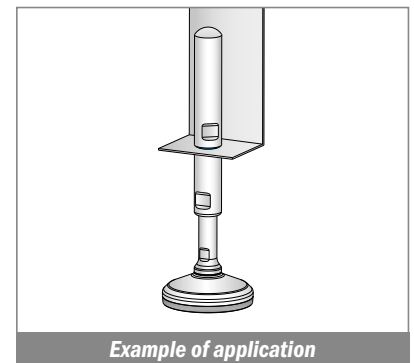
- Stainless steel AISI 304
- Blue seal for hermetic closure
- Perfect to protect the threaded spindle



Art-Nr.	Sp	D	TH	L	
903229	M12	Ø20	110	100	17
903230	M16	Ø24	110	100	19
903231	M20	Ø30	110	100	24
903232	M24	Ø34	110	100	30
903233	M30	Ø40	110	100	36
903234	M36	Ø46	110	100	42



CERTIFIED PRODUCTS
ASK FOR CERTIFICATION:
certificate@movexii.com

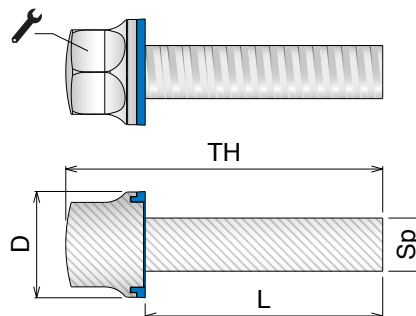


903 Vite igienica certificata ed igienica Certified hygienic screw / Zertifiziert hygienische Schraube



Main features:

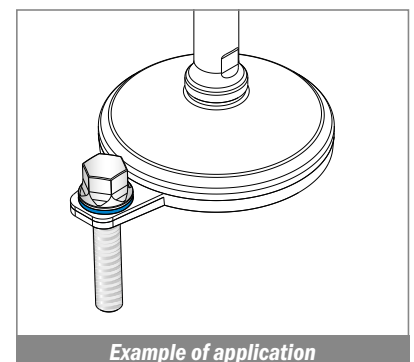
- Stainless steel AISI 304
- Blue seal for hermetic closure



Art-Nr.	Sp	D	TH	L		Box
903255	M8	16	58	45	13	10 pcs
903253	M10	20	60	45	16	10 pcs
903251	M12	24,5	78	60	18	10 pcs



CERTIFIED PRODUCTS
ASK FOR CERTIFICATION:
certificate@movexii.com

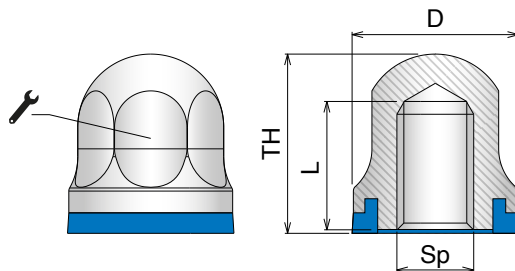



903 Dado certificato ed igienico Certified hygienic nut / Zertifiziert hygienische Hutmutter



Main features:

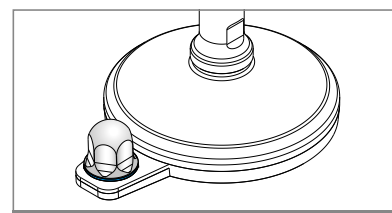
- Stainless steel AISI 304
- Blue seal for hermetic closure



Art-Nr.	Sp	D	TH	L		Box
903235	M6	13	14	10	10	10 pcs
903236	M8	16	17	12	13	10 pcs
903237	M10	20	20,5	15	16	10 pcs
903238	M12	24,5	25	18	18	10 pcs
903239	M16	32	32	23	24	10 pcs
903240	M20	39	38	27	30	10 pcs



CERTIFIED PRODUCTS
ASK FOR CERTIFICATION:
certificate@movexii.com



Example of application

998 Dado Nut / Sechskantmutter



Main features:

- Stainless steel (SS) or Zinc plated steel (FeZn)
- UNI 5588 - ISO 4032 - DIN 934

Art-Nr.	Art-Nr.	Sp	Box
SS	FeZn		
99801	99801Z	M10	50 pcs
99802	99802Z	M12	50 pcs
99804	99804Z	M16	10 pcs
99805	99805Z	M20	10 pcs
99806	99806Z	M24	5 pcs
99807	99807Z	M30	5 pcs
99808	99808Z	M36	5 pcs

996 Gomma anti-scivolo Anti-slip pad / Gummiplatte



Main features:

- High quality vulcanized anti-slip NBR rubber
- Suitable for leveling feet Basic, Articulated, Muscle and P400R series

Art-Nr.	For base
99601	Ø40
99602	Ø50
99603	Ø60
99604	Ø80
99605	Ø100
99607	Ø110
99606	Ø120
99608	Ø123

CORRELATED PRODUCTS

Support base



Page 218/219

Threaded bushings

POLYAMIDE



Page 228/229



Movex[®]
OFFICIAL UK PARTNER

Oadby Conveyors

Oadby Conveyors
68 Scudamore Road
Braunstone Frith Ind. Est.
Leicester
LE3 1UA

0116 232 4848
convteam@oadbyplastics.co.uk

Head Office

Oadby Plastics Ltd
68 Scudamore Road
Braunstone Frith Ind. Est.
Leicester
LE3 1UA

0116 232 1010
sales@oadbyplastics.co.uk

For further information and specification details please visit our comprehensive website. Due to a policy of continual product development, Oadby Conveyors reserves the right to alter any of the specifications given in the publication without prior notice. The specification must be checked with Oadby Conveyors prior to manufacture. For this reason no responsibility or liability for accuracy is accepted by Oadby Conveyors.

Company registration No. 03542957 | www.oadbyconveyors.co.uk



Certificate Number 8147
ISO 9001, ISO 14001