

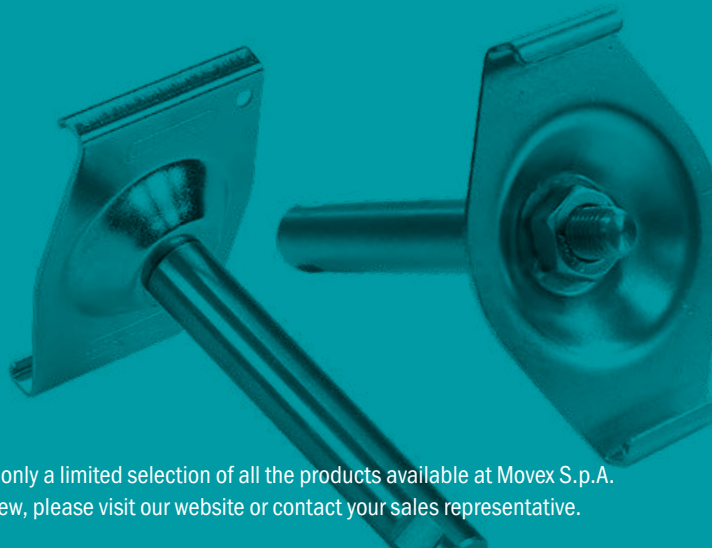
# Product Overview



*Movex*  
**Blueline**  
**Components**



**Movex**  
OFFICIAL UK PARTNER



This catalog contains only a limited selection of all the products available at Movex S.p.A.  
For a complete overview, please visit our website or contact your sales representative.

<b>301</b>  Pag 189	<b>302</b>  Pag 189	<b>321</b>  Pag 190	<b>398</b>  Pag 191	<b>398</b>  Pag 191	<b>398</b>  Pag 192
<b>398</b>  Pag 193	<b>398</b>  Pag 194	<b>398</b>  Pag 195	<b>398</b>  Pag 196	<b>398</b>  Pag 197	<b>398</b>  Pag 198
<b>313</b>  Pag 199	<b>314</b>  Pag 199	<b>315</b>  Pag 200	<b>316</b>  Pag 200	<b>317</b>  Pag 201	<b>317</b>  Pag 201
<b>317</b>  Pag 202	<b>324</b>  Pag 202	<b>325</b>  Pag 202	<b>3009</b>  Pag 203	<b>326</b>  Pag 203	<b>337</b>  Pag 204
<b>338</b>  Pag 204	<b>339</b>  Pag 204	<b>328</b>  Pag 205	<b>329</b>  Pag 205	<b>330</b>  Pag 205	<b>362</b>  Pag 205
<b>362</b>  Pag 206	<b>3629</b>  Pag 206	<b>390</b>  Pag 206	<b>392</b>  Pag 206	<b>393</b>  Pag 206	<b>341</b>  Pag 207
<b>341</b>  Pag 207	<b>3310</b>  Pag 208	<b>3311</b>  Pag 208	<b>345</b>  Pag 208	<b>349</b>  Pag 209	<b>350</b>  Pag 209
<b>351</b>  Pag 209	<b>3004</b>  Pag 210	<b>352</b>  Pag 210	<b>3005</b>  Pag 210	<b>347</b>  Pag 211	<b>348</b>  Pag 211

346



Pag 211

356



Pag 212

357



Pag 212

3099



Pag 212

3011



Pag 213

HB

397



Pag 213

374



Pag 214

375



Pag 214

903



Pag 215

903



Pag 215

998



Pag 215

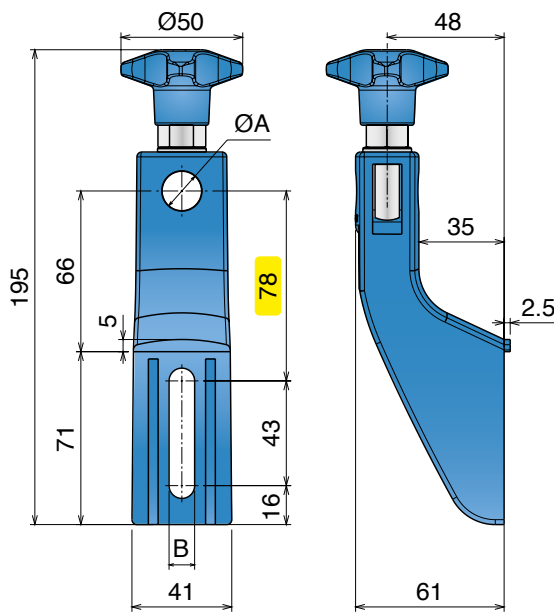
**Materiale / Material / Materialien:**

Supporto: PA/Support: PA/Halter: PA

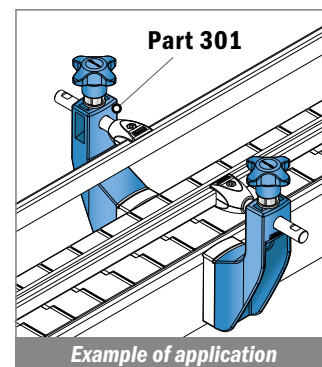
Volantino: PA+ottone nichelato/Knob: PA+nickel plated brass/Sterngriff: PA+ Messing vernickelt

Tirante: Acciaio inox/Eyebolt: Stainless steel/Augenschraube: Edelstahl

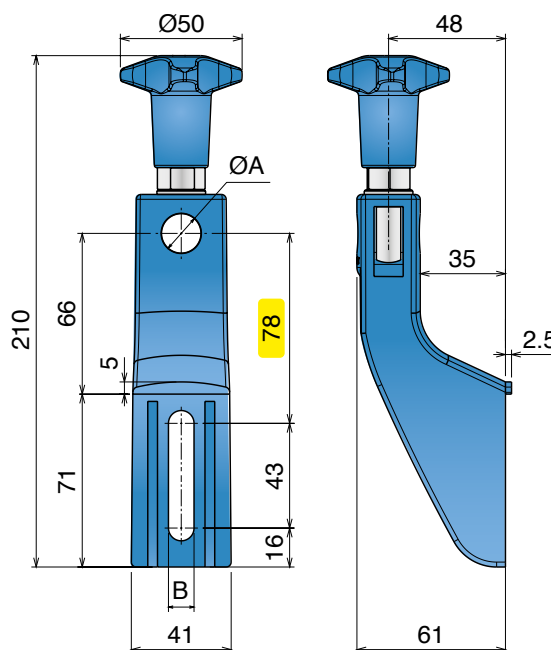
## 301 Supporto laterale -piccolo- Side bracket -small- / Geländerhalter -klein-



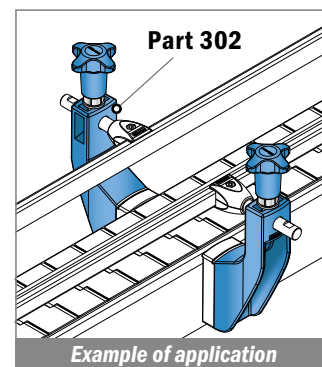
Part	Article-Nr.	ØA	B	Colour
301	30151	12	9	Hygienic blue
301	30155	14	9	Hygienic blue
301	30152	16	9	Hygienic blue
301	30153	12	10,5	Hygienic blue
301	30156	14	10,5	Hygienic blue
301	30154	16	10,5	Hygienic blue
301	30101	12	9	Black
301	30105	14	9	Black
301	30102	16	9	Black
301	30103	12	10,5	Black
301	30106	14	10,5	Black
301	30104	16	10,5	Black



## 302 Supporto laterale -piccolo- volantino alto Side bracket -small- high knob / Geländerhalter -klein- hoher Sterngriff



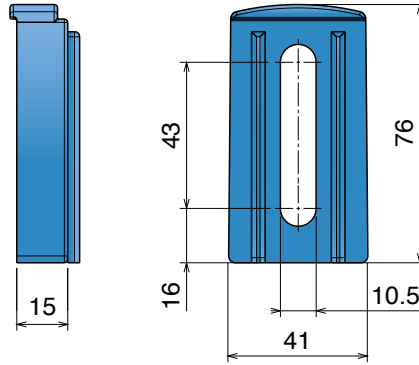
Part	Article-Nr.	ØA	B	Colour
302	30251	12	9	Hygienic blue
302	30255	14	9	Hygienic blue
302	30252	16	9	Hygienic blue
302	30253	12	10,5	Hygienic blue
302	30256	14	10,5	Hygienic blue
302	30254	16	10,5	Hygienic blue
302	30201	12	9	Black
302	30205	14	9	Black
302	30202	16	9	Black
302	30203	12	10,5	Black
302	30206	14	10,5	Black
302	30204	16	10,5	Black



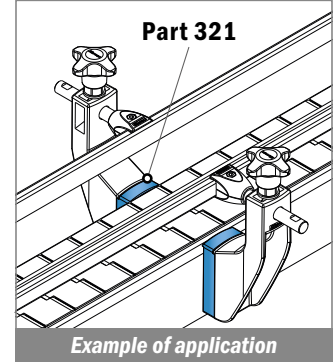
# 321

Distanziale per supporto -piccolo  
Spacer for bracket -small / Distanzstück für Geländerhalter -klein

Used with bracket Part. 301-302 Pag 189



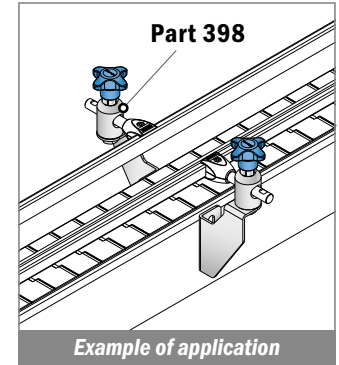
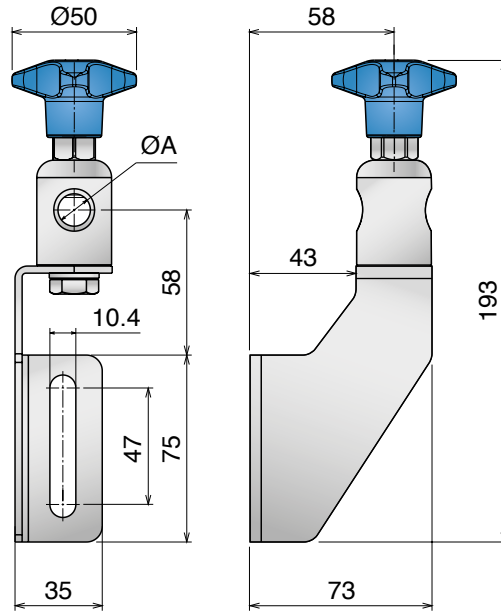
Part	Article-Nr.	Colour
321	32151	Hygienic blue
321	32101	Black



**398** Supporto laterale inox -medio- orientabile  
 SS bracket -medium- adjustable / Edelstahl Geländerhalter -medium- einstellbar

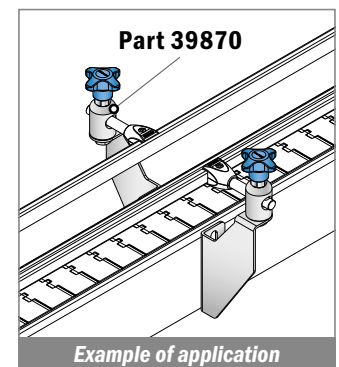
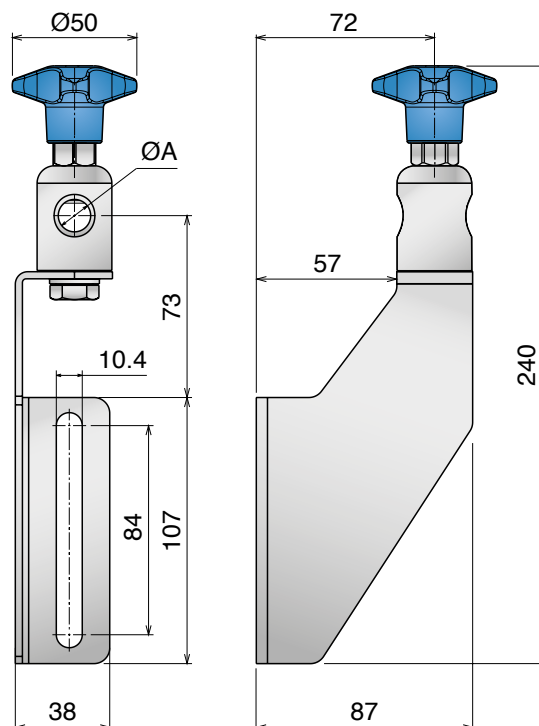
NOW ALSO IN HYGIENIC BLUE

Part	Article-Nr.	ØA	Knob Colour
398	39860HB	12	Hygienic blue
398	39862HB	14	Hygienic blue
398	39861HB	16	Hygienic blue
398	39860	12	Black
398	39862	14	Black
398	39861	16	Black



Supporto laterale inox -grande- orientabile  
 SS bracket -large- adjustable / Edelstahl Geländerhalter -groß- einstellbar

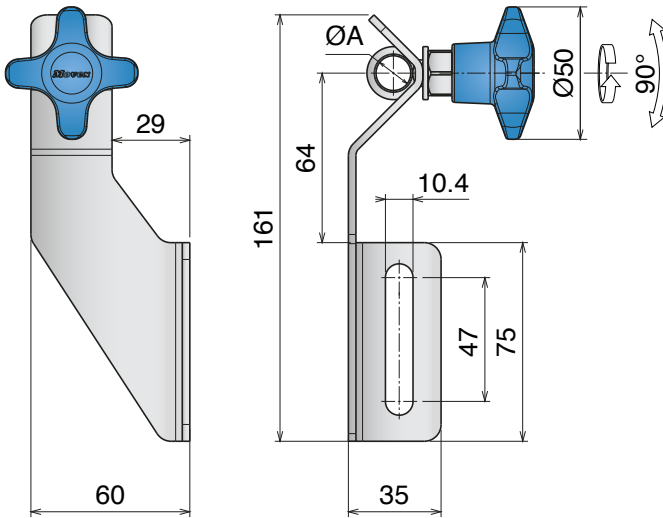
Part	Article-Nr.	ØA	Knob Colour
398	39870HB	12	Hygienic blue
398	39872HB	14	Hygienic blue
398	39871HB	16	Hygienic blue
398	39870	12	Black
398	39872	14	Black
398	39871	16	Black



## 398 Supporto laterale inox - piccolo SS bracket -small / Edelstahl Geländerhalter -klein

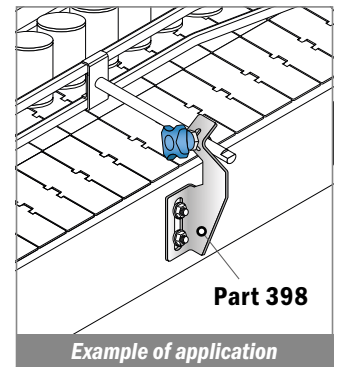
Stainless Steel | AISI 304

Width 60 mm – Height 64 mm



### Advantages:

- Hygienic design
- Stronger design
- Easy to install
- Corrosion resistant
- High temperature resistant
- Fixing system customizable



### Stainless steel knob



Part	Article-Nr.	ØA
398	39810SK	12-13
398	39811SK	14
398	39812SK	16

### Plastic knob



Part	Article-Nr.	ØA
398	39810HB	12-13
398	39811HB	14
398	39812HB	16

### Stainless steel nut

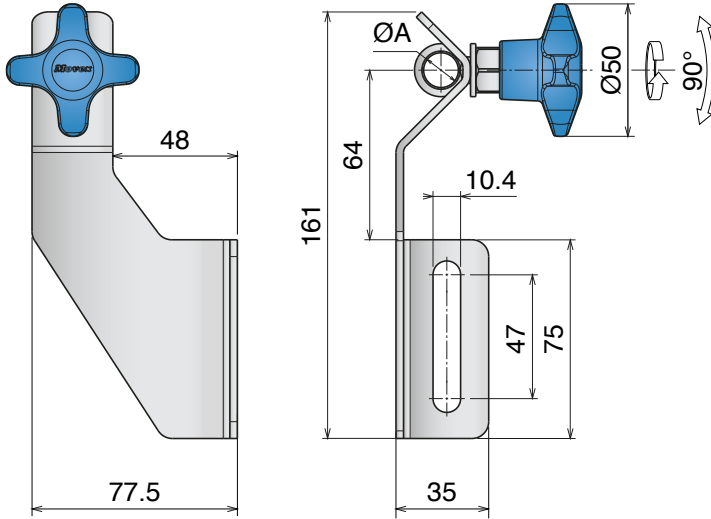


Part	Article-Nr.	ØA
398	39810S	12-13
398	39811S	14
398	39812S	16

**398** Supporto laterale inox - medio  
 SS bracket - medium / Edelstahl Geländerhalter - medium

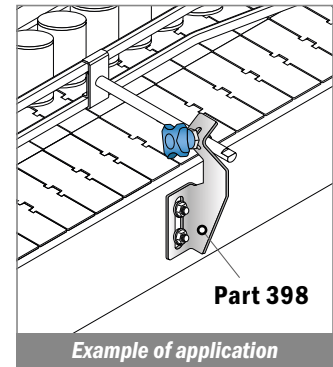
Stainless Steel | AISI 304

Width 77,5 mm – Height 64 mm



**Advantages:**

- Hygienic design
- Stronger design
- Easy to install
- Corrosion resistant
- High temperature resistant
- Fixing system customizable



**Stainless steel knob**

**Plastic knob**

**Stainless steel nut**



Part	Article-Nr.	ØA
398	39820SK	12-13
398	39821SK	14
398	39822SK	16

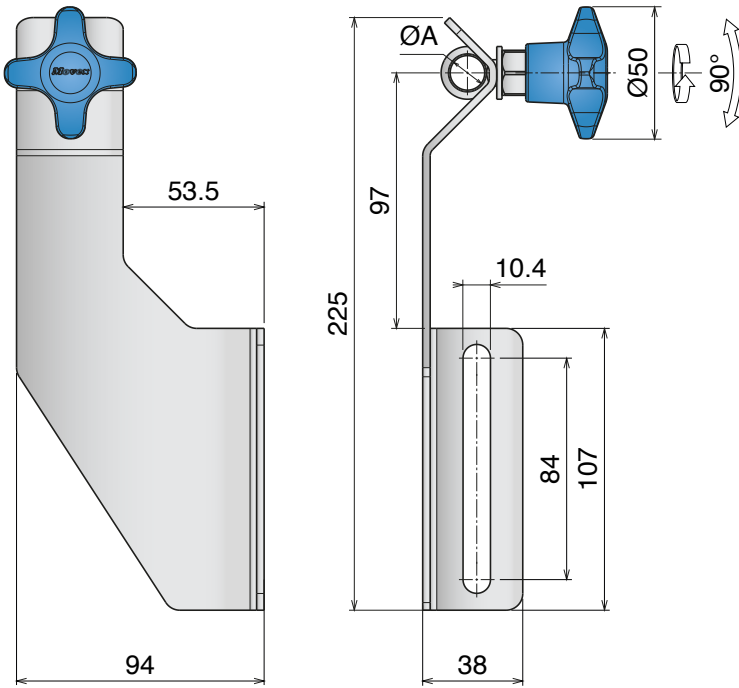
Part	Article-Nr.	ØA
398	39820HB	12-13
398	39821HB	14
398	39822HB	16

Part	Article-Nr.	ØA
398	39820S	12-13
398	39821S	14
398	39822S	16

## 398 Supporto laterale inox -grande SS bracket -large / Edelstahl Geländerhalter -groß

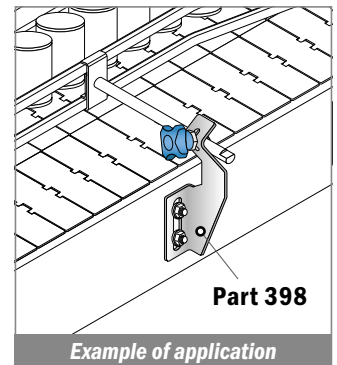
Stainless Steel | AISI 304

Width 94 mm - Height 97 mm



### Advantages:

- Hygienic design
- Stronger design
- Easy to install
- Corrosion resistant
- High temperature resistant
- Fixing system customizable

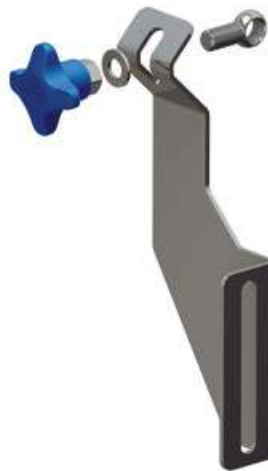


### Stainless steel knob



Part	Article-Nr.	ØA
398	39830SK	12-13
398	39831SK	14
398	39832SK	16

### Plastic knob



Part	Article-Nr.	ØA
398	39830HB	12-13
398	39831HB	14
398	39832HB	16

### Stainless steel nut

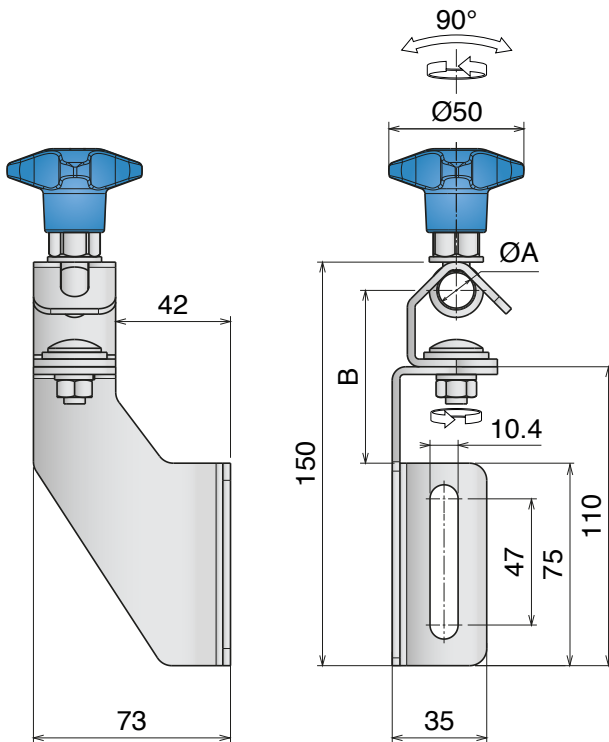


Part	Article-Nr.	ØA
398	39830S	12-13
398	39831S	14
398	39832S	16

**398** Supporto laterale inox -medio- orientabile  
 SS bracket -medium- adjustable / Edelstahl Geländerhalter -medium- einstellbar

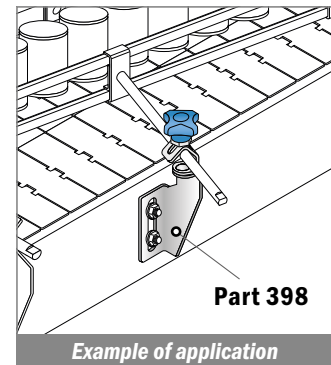
Stainless Steel | AISI 304

Width 73 mm - Height 64 mm



**Advantages:**

- Hygienic design
- Stronger design
- Easy to install
- Corrosion resistant
- High temperature resistant
- Fixing system customizable



**Stainless steel knob**



**Plastic knob**



**Stainless steel nut**



Part	Article-Nr.	ØA	B
398	39840SK	12-13	64
398	39841SK	14	62,5
398	39842SK	16	61

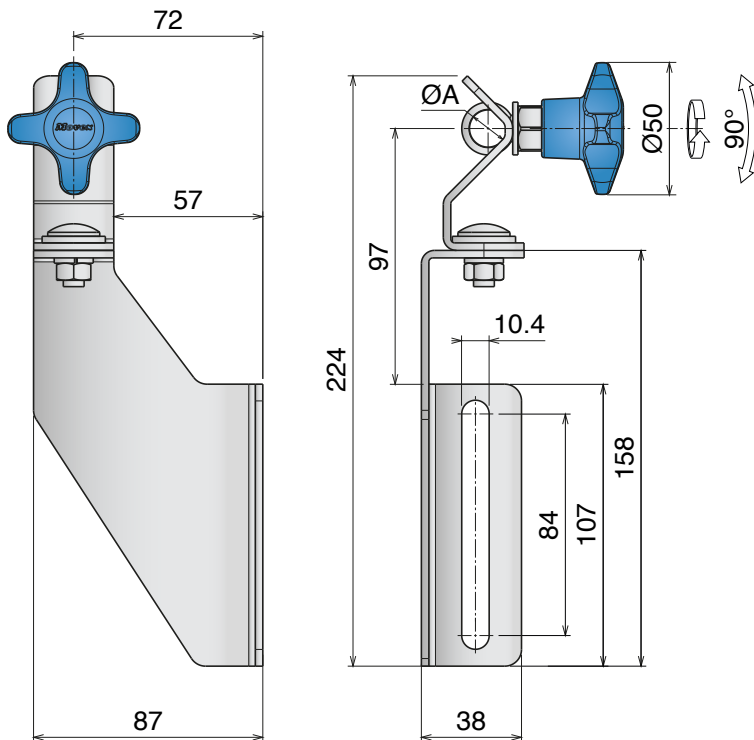
Part	Article-Nr.	ØA	B
398	39840HB	12-13	64
398	39841HB	14	62,5
398	39842HB	16	61

Part	Article-Nr.	ØA	B
398	39840S	12-13	64
398	39841S	14	62,5
398	39842S	16	61

## 398 Supporto laterale inox - grande- orientabile SS bracket -large- adjustable / Edelstahl Geländerhalter -groß- einstellbar

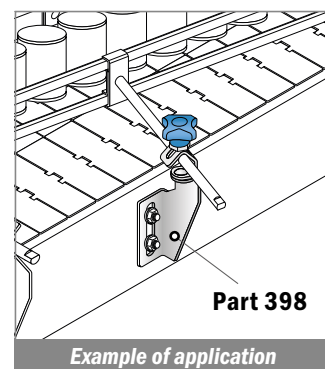
Stainless Steel | AISI 304

Width 87 mm - Height 97 mm



### Advantages:

- Hygienic design
- Stronger design
- Easy to install
- Corrosion resistant
- High temperature resistant
- Fixing system customizable



### Stainless steel knob



Part	Article-Nr.	ØA
398	39850SK	12-13
398	39851SK	14
398	39852SK	16

### Plastic knob



Part	Article-Nr.	ØA
398	39850HB	12-13
398	39851HB	14
398	39852HB	16

### Stainless steel nut

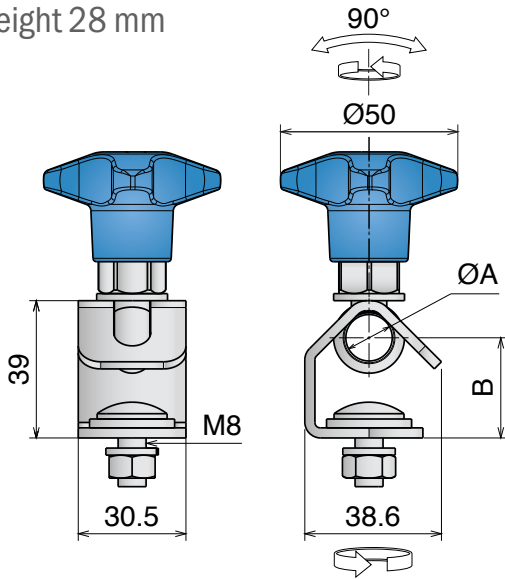


Part	Article-Nr.	ØA
398	39850S	12-13
398	39851S	14
398	39852S	16

**398** Testina orientabile inox -media  
 Stainless steel adjustable head -medium / Edelstahl Schwenkkopf -medium

Stainless Steel | AISI 304

Height 28 mm



**Advantages:**

- Hygienic design
- Stronger design
- Easy to install
- Corrosion resistant
- High temperature resistant
- Fixing system customizable

**Stainless steel knob**



**Plastic knob**



**Stainless steel nut**



Part	Article-Nr.	ØA	B
398	39845SK	12-13	29
398	39846SK	14	27,5
398	39847SK	16	26

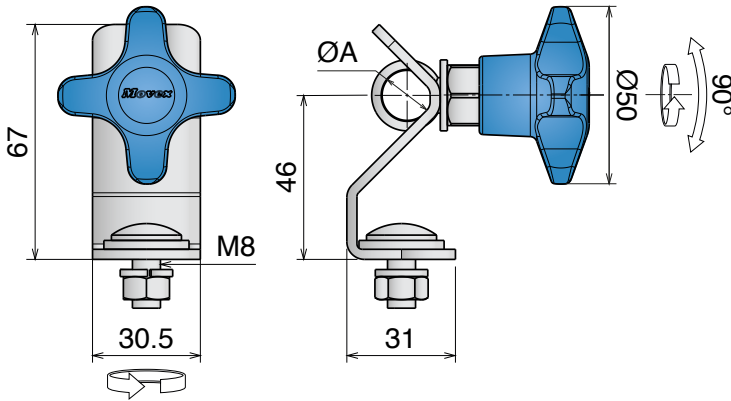
Part	Article-Nr.	ØA	B
398	39845HB	12-13	29
398	39846HB	14	27,5
398	39847HB	16	26

Part	Article-Nr.	ØA	B
398	39845S	12-13	29
398	39846S	14	27,5
398	39847S	16	26

## 398 Testina orientabile inox -alta Stainless steel adjustable head -large / Edelstahl Schwenkkopf -groß

Stainless Steel | AISI 304

Height 46 mm



### Advantages:

- Hygienic design
- Stronger design
- Easy to install
- Corrosion resistant
- High temperature resistant
- Fixing system customizable

### Stainless steel knob



Part	Article-Nr.	ØA
398	39855SK	12-13
398	39856SK	14
398	39857SK	16

### Plastic knob



Part	Article-Nr.	ØA
398	39855HB	12-13
398	39856HB	14
398	39857HB	16

### Stainless steel nut



Part	Article-Nr.	ØA
398	39855S	12-13
398	39856S	14
398	39857S	16

**Materiale / Material / Materialien:**

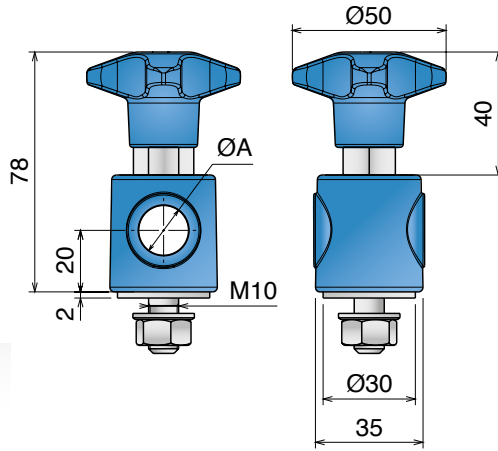
Volantino: PA+ottone nichelato/ Knob: PA+nickel plated brass/Sterngriff: PA+ Messing vernickelt

Tirante: Acciaio inox/Eyebolt: Stainless steel/Augenschraube: Edelstahl

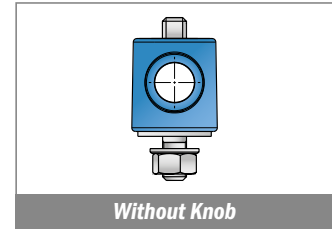
Testina: PA o Acciaio inox/Head: PA or stainless steel/Schwenkopf: PA oder Edelstahl

Vite, rondella e dado: Acciaio inox/Screw, washer and nut: Stainless steel/Schraube, Scheibe und Mutter: Edelstahl

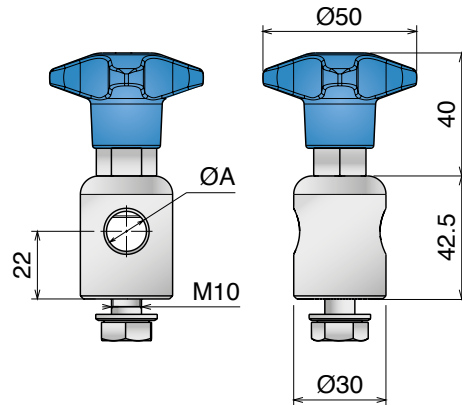
**313** Testina orientabile  
Adjustable head / Schwenkopf



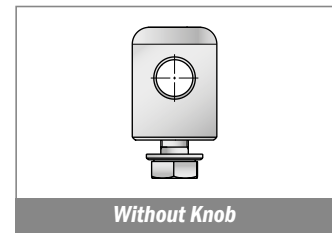
Part	Article-Nr.	ØA	Colour
313	31351	12	Hygienic blue
313	31353	14	Hygienic blue
313	31352	16	Hygienic blue
313	31301	12	Black
313	31303	14	Black
313	31302	16	Black
313	31311	12-without knob	-
313	31313	14-without knob	-
313	31312	16-without knob	-



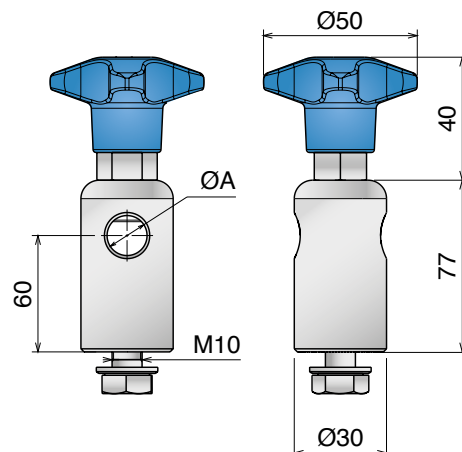
**314** Testina orientabile, acciaio inox  
Adjustable head, stainless steel / Schwenkopf, Edelstahl



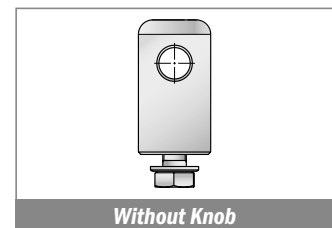
Part	Article-Nr.	ØA	Knob Colour
314	31451	12	Hygienic blue
314	31453	14	Hygienic blue
314	31452	16	Hygienic blue
314	31401	12	Black
314	31403	14	Black
314	31402	16	Black
314	31411	12-without knob	-
314	31413	14-without knob	-
314	31412	16-without knob	-



Testina orientabile alta, acciaio inox  
Adjustable head, stainless steel / Schwenkopf, Edelstahl



Part	Article-Nr.	ØA	Knob Colour
314	31459	12	Hygienic blue
314	31464	14	Hygienic blue
314	31460	16	Hygienic blue
314	31409	12	Black
314	31414	14	Black
314	31410	16	Black
314	31419	12-without knob	-
314	31421	14-without knob	-
314	31420	16-without knob	-



## 315 Supporto laterale "L" L-bracket / Winkel

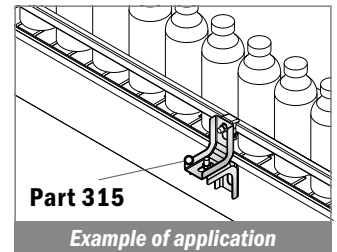
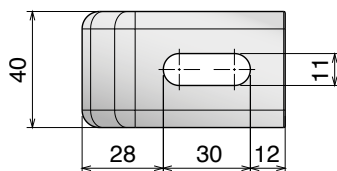
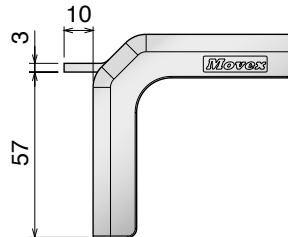
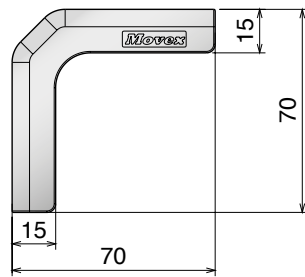
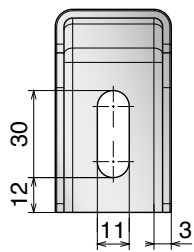
Stainless Steel | AISI 304

Part	Article-Nr.	Type
315	31501	A
315	31502	B



TYPE A - WITHOUT NOSE

TYPE B - WITH NOSE



## 316 Supporto laterale "L" L-bracket / Winkel

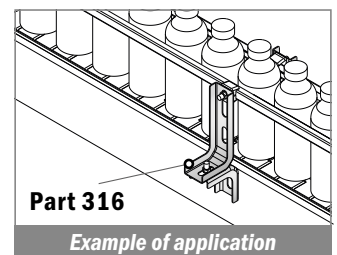
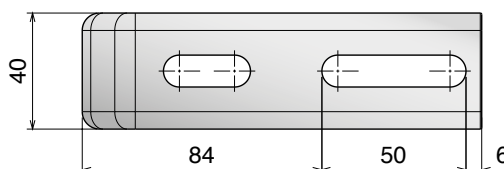
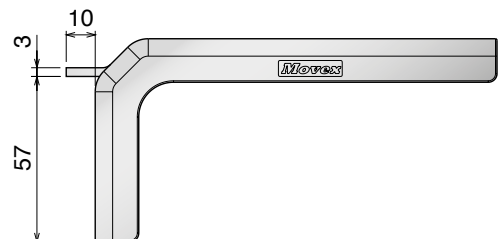
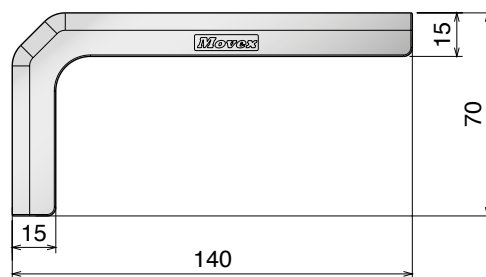
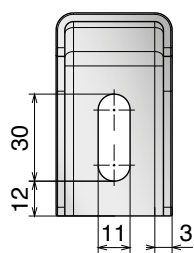
Stainless Steel | AISI 304

Part	Article-Nr.	Type
316	31601	A
316	31602	B



TYPE A - WITHOUT NOSE

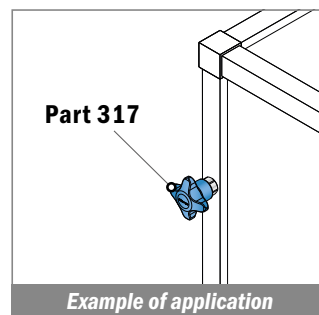
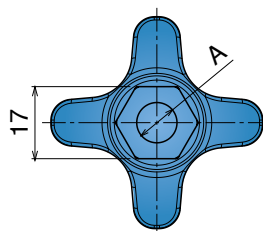
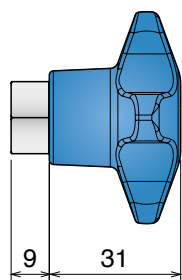
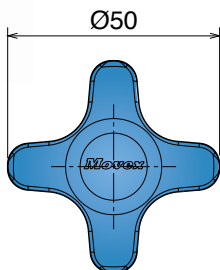
TYPE B - WITH NOSE



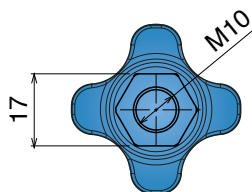
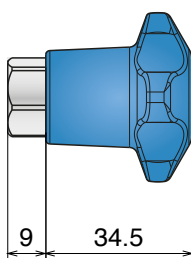
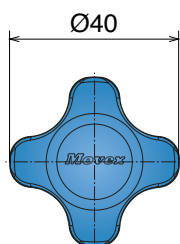
**Materiale / Material / Materialien:**  
 Poliammide + ottone nichelato  
 Polyamide + nickel plated brass  
 Polyamid + Messing vernickelt

**317** Volantino  
 Star knob / Sterngriff

Part	Article-Nr.	A	Ø	Knob Colour
317	31753	M8	50	Hygienic blue
317	31751	M10	50	Hygienic blue
317	31754	M12	50	Hygienic blue
317	31702	M10	40	Black
317	31703	M8	50	Black
317	31701	M10	50	Black
317	31704	M12	50	Black

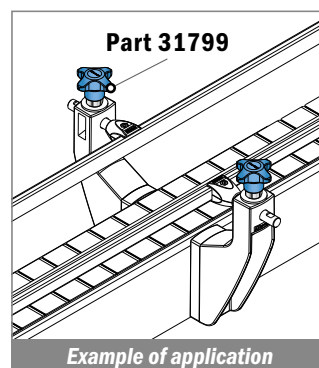
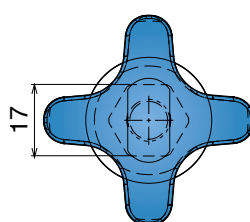
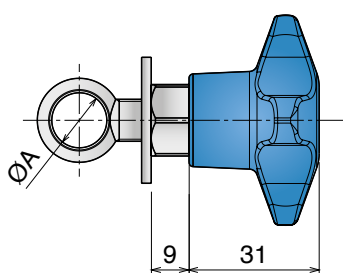
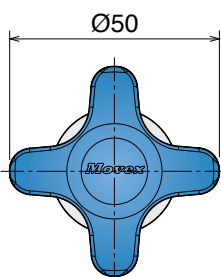


Example of application



**Volantino con tirante**  
 Star knob with eye-bolt / Sterngriff mit Augenschraube

Part	Article-Nr.	ØA	Knob Colour
317	31759	12	Hygienic blue
317	31757	14	Hygienic blue
317	31758	16	Hygienic blue
317	31799	12	Black
317	31797	14	Black
317	31798	16	Black



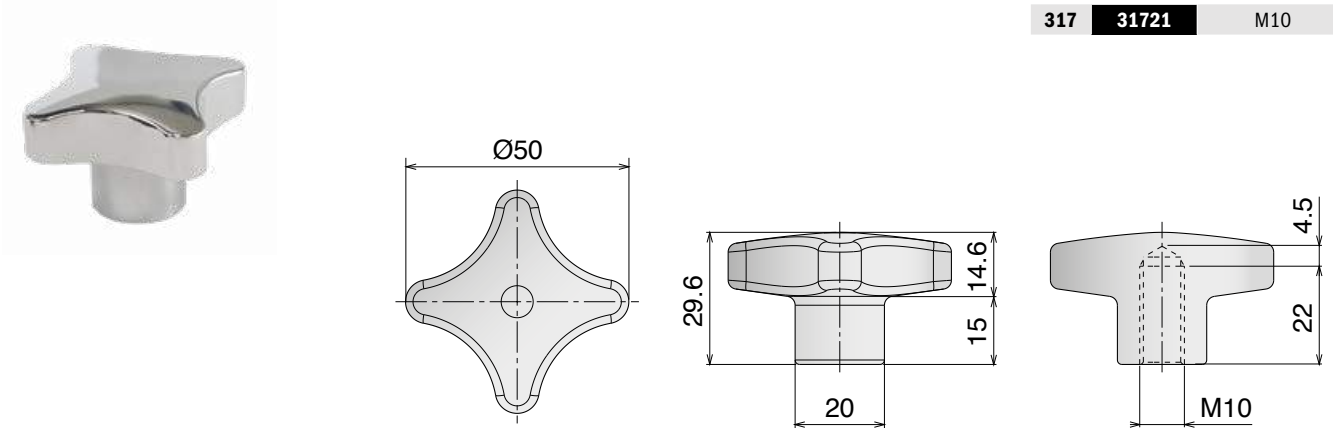
Example of application

• **Materiale / Material / Materialien:** Morsetti: PA/Clamp: PA/Klemme: PA  
 Vite, perno e rondella: Acciaio inox/Screw, pin and washer: Stainless steel  
 Schraube, Bolzen und Scheibe: Edelstahl  
 Dado: ottone nichelato/Nut: nickel plated brass/Mutter: Messing vernickelt

## 317 Volantino Acciaio inox Star knob stainless steel / Sterngriff Edelstahl

Stainless Steel | AISI 304

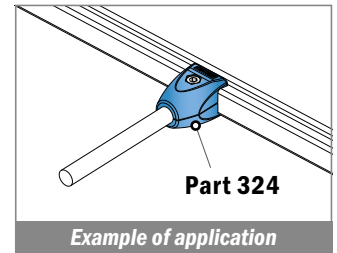
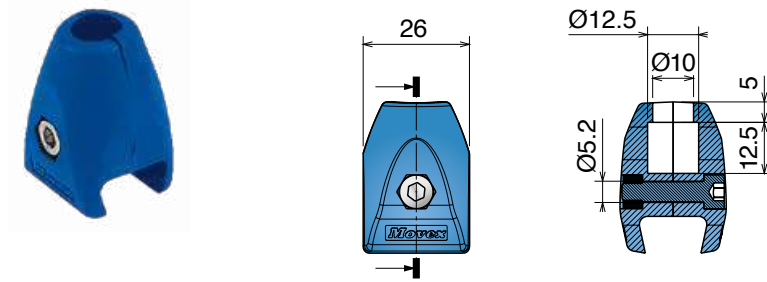
Part	Article-Nr.	ØA
317	31721	M10



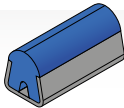
## 324 Morsetto singolo per guida laterale conica Single clamp for conical side guide / Einfachklemme für konische Seitenführung

Used with Part 349/350 Pag 209 and Part 356 Pag 212

Part	Article-Nr.	ØA	Colour
324	32451	without pin	Hygienic blue
324	32401	without pin	Black



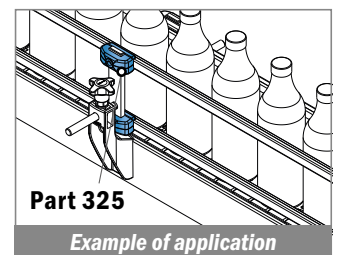
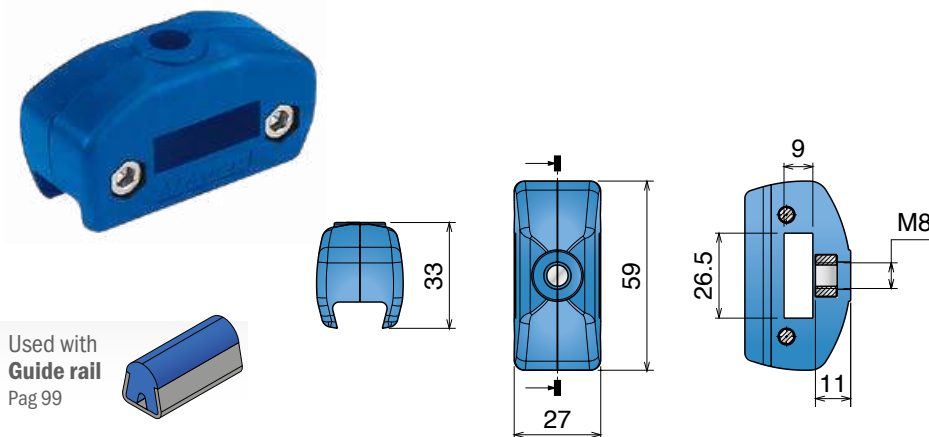
Used with  
**Guide rail**  
 Pag 99



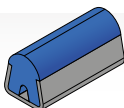
## 325 Morsetto singolo per guida laterale conica Single clamp for conical side guide / Einfachklemme für konische Seitenführung

Used with Part 351 Pag 209 and Part 352/3004/3005 Pag 210 (Thread M8)

Part	Article-Nr.	ØA	Colour
325	32551	without pin	Hygienic blue
325	32501	without pin	Black



Used with  
**Guide rail**  
 Pag 99



**Materiale / Material / Materialien:** Morsetti: PA/Clamp: PA/Klemme: PA  
 Vite, perno e rondella: Acciaio inox/Screw, pin and washer: Stainless steel Schraube, Bolzen und Scheibe: Edelstahl  
 Dado: ottone nichelato/Nut: nickel plated brass/Mutter: Messing vernickelt  
 Part. 326: Poliammide / Polyamide / Polyamid

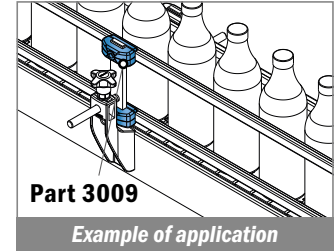
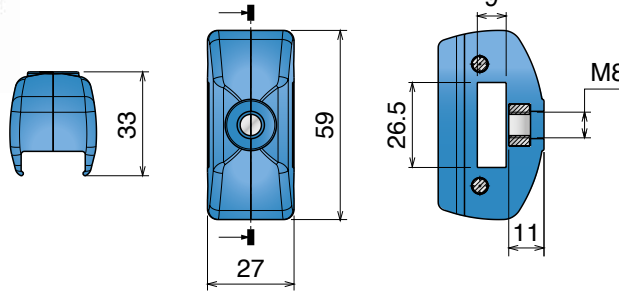
# 3009-326

Componenti / Conveyor components / Komponenten

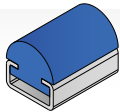
## 3009 Morsetto singolo per guida laterale Single clamp for side guide / Einfachklemme für Seitenführung

Used with Part 351 Pag 209 and Part 352/3004/3005 Pag 210 (Thread M8)

Part	Article-Nr.	ØA	Colour
3009	300902	without pin	Hygienic blue
3009	300901	without pin	Black

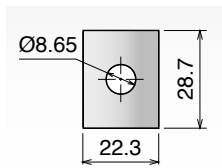
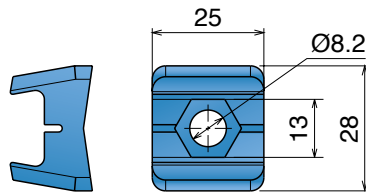


Used with  
**PART 134**  
Pag 132

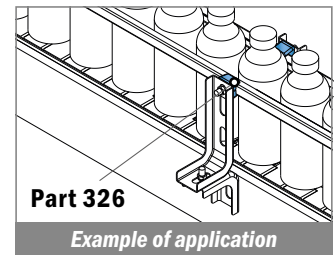


## 326 Morsetto singolo per guida laterale conica Single clamp for conical side guide / Einfachklemme für konische Seitenführung

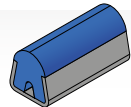
Part	Article-Nr.	Colour
326	32651	Hygienic blue
326	32601	Black



Reinforced plate **33201**  
3 mm thickness

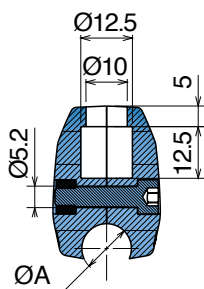
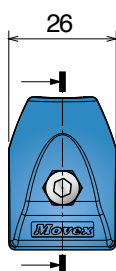


Used with  
**Guide rail**  
Pag 99

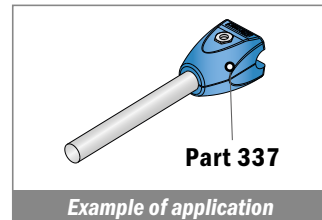


## 337 Morsetto singolo per tondino Single clamp for round bar / Einfachklemme für Rund Profil

Used with Part 349/350 Pag 209 and Part 356 Pag 212

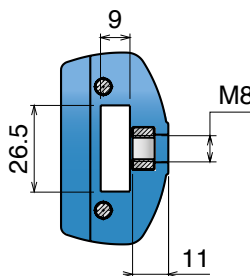
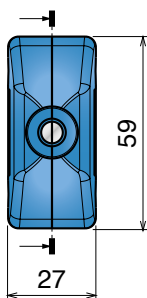
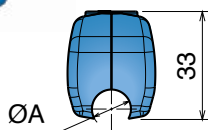


Part	Article-Nr.	ØA	Colour
337	33751	10	Hygienic blue
337	33752	12	Hygienic blue
337	33701	10	Black
337	33702	12	Black

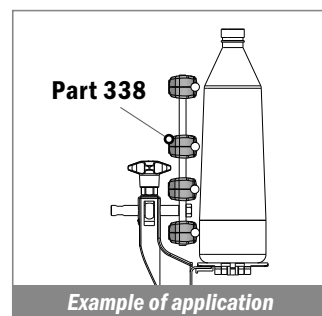


## 338 Morsetto singolo per tondino Single clamp for round bar / Einfachklemme für Rund Profil

Used with Part 351 Pag 209 and Part 352/3004/3005 Pag 210 (Thread M8)

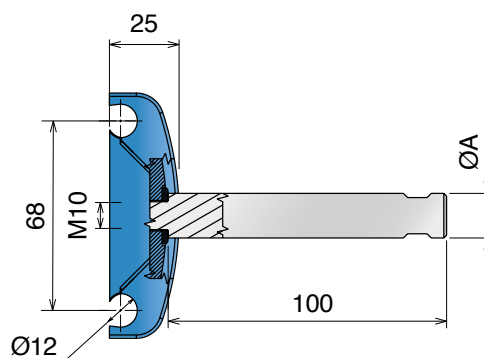
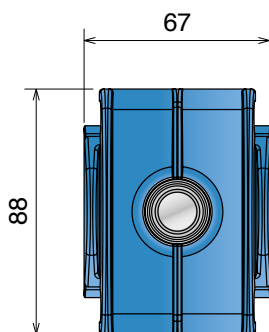
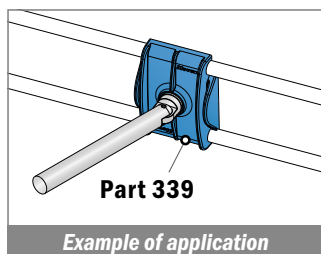


Part	Article-Nr.	ØA	Colour
338	33851	10	Hygienic blue
338	33852	12	Hygienic blue
338	33801	10	Black
338	33802	12	Black



## 339 Morsetto doppio per tondino Double clamp for round bar / Doppelklemme für Rund Profil

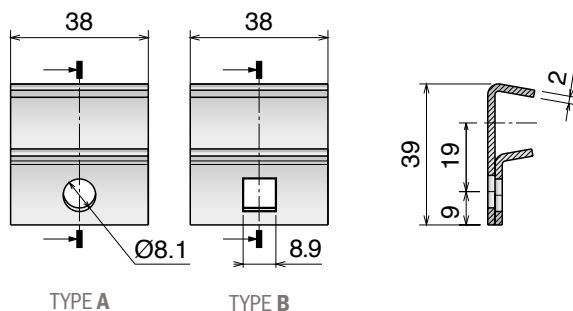
Used with Part 351 Pag 209 and Part 352 Pag 210 (Thread M10)



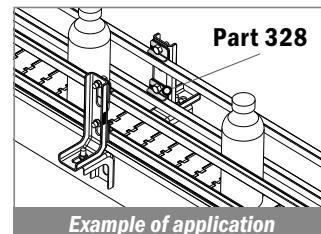
Part	Article-Nr.	ØA	Colour
339	33951	without pin	Hygienic blue
339	33952	12	Hygienic blue
339	33954	14	Hygienic blue
339	33953	16	Hygienic blue
339	33901	without pin	Black
339	33902	12	Black
339	33904	14	Black
339	33903	16	Black

## 328 Morsetto singolo per guida laterale conica Single clamp for conical side guide / Einfachklemme für konische Seitenführung

Used with Guide rail Pag 99



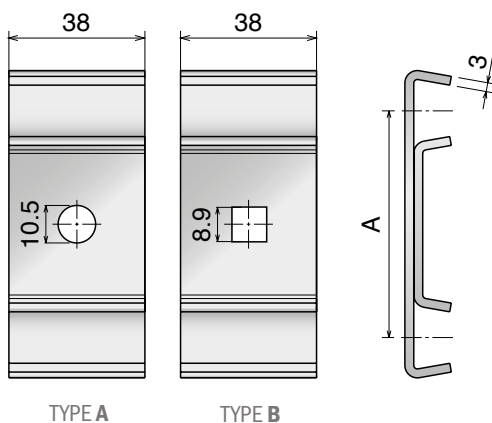
Part	Article-Nr.	Material	Type
328	32801	AISI 304	A
328	32802	AISI 304	B
328	32811	AISI 316	A



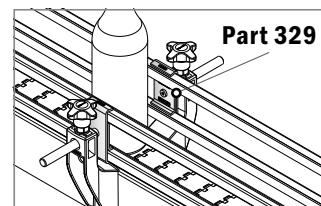
Example of application

## 329 Morsetto doppio per guida laterale conica Double clamp for conical side guide / Doppelklemme für konische Seitenführung

Used with Guide rail Pag 99



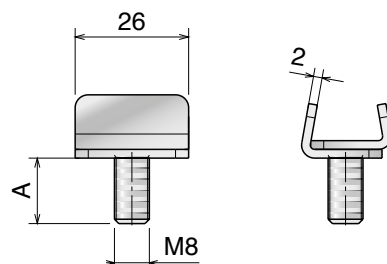
Part	Article-Nr.	A	Type
329	32904	50,0	A
329	32901	63,5	A
329	32902	82,55	A
329	32903	95,25	A
329	32911	63,5	B
329	32912	82,55	B
329	32913	95,25	B



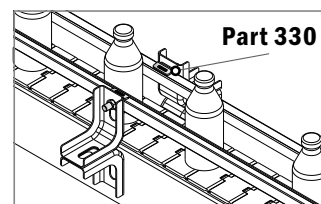
Example of application

## 330 Morsetto singolo per guida laterale conica Single clamp for conical side guide / Einfachklemme für konische Seitenführung

Used with Guide rail Pag 99



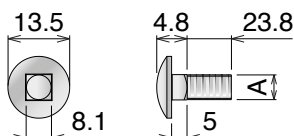
Part	Article-Nr.	A
330	33001	15
330	33003	20
330	33002	25
330	33004	30



Example of application

## 362 Vite con quadro sotto testa sferica Bolt with round head and square neck / Flachrundschraube mit Vierkantansatz

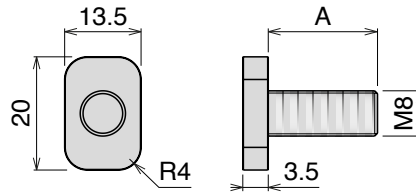
Used with Part 328 and Part 329 (See above)



Part	Article-Nr.	A
362	36271	M8

## 362 Vite a "T" T-bolt / T-Schraube

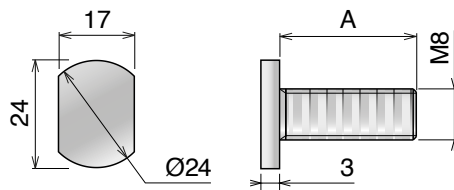
Used with Part 154/155/159/164/165/358/359/360/361/1055/1088/1089



Part	Article-Nr.	A
362	36201	17
362	36202	22
362	36203	27

## 3629 Vite a "T" T-bolt / T-Schraube

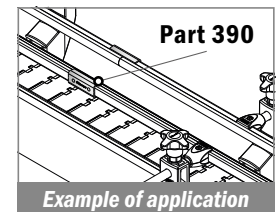
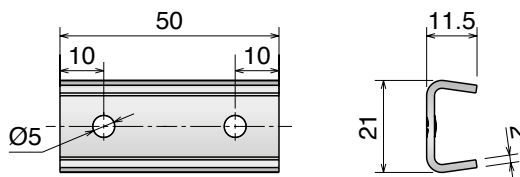
Used with Part 112



Part	Article-Nr.	A
3629	362901	17
3629	362902	22
3629	362903	27

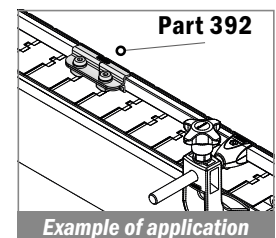
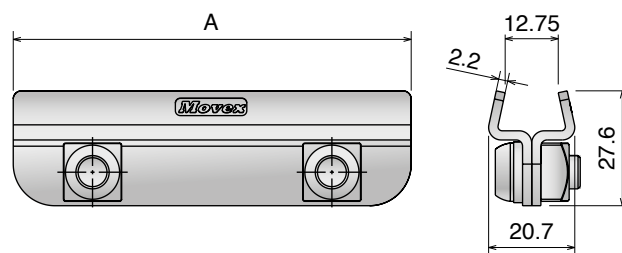
## 390 Elemento di giunzione Connecting element / Verbinder

Used with Guide rail Pag 99



## 392 Elemento di connessione Connecting clamp / Verbindungsklemme

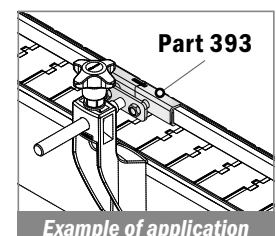
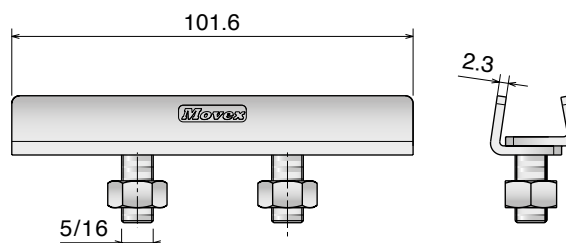
Used with Guide rail Pag 99



Part	Article-Nr.	A
392	39201	75
392	39202	100
392	39203	150

## 393 Elemento di connessione Connecting clamp / Verbindungsklemme

Used with Guide rail Pag 99



Part	Article-Nr.
393	39302

**Materiale / Material / Materialien:** Acciaio inox/Stainless steel/Edelstahl  
 Morsetto: PA/Clamp: PA/Klemme: PA  
 Vite, perno e rondella: Acciaio inox/Screw, pin and washer: Stainless steel/Schraube, Bolzen und Scheibe: Edelstahl  
 Dado: ottone nichelato/Nut: nickel plated brass/Mutter: Messing vernickelt

## 341 Morsetto Clamp / Klemme

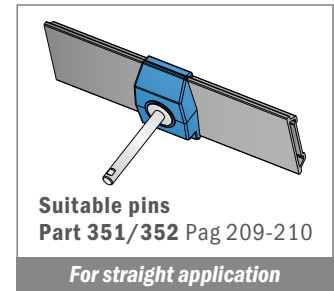
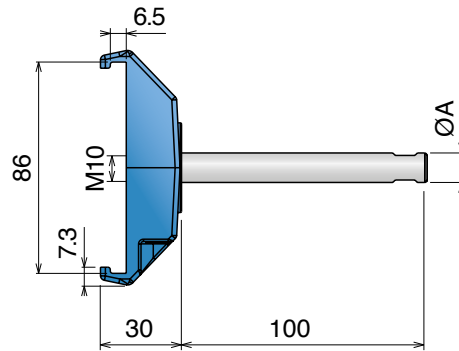
Versions without pins don't include nuts and washer too

Part	Article-Nr.	ØA	Colour
341	34151	without pin	Hygienic blue
341	34152	12	Hygienic blue
341	34153	16	Hygienic blue
341	34101	without pin	Black
341	34102	12	Black
341	34103	16	Black



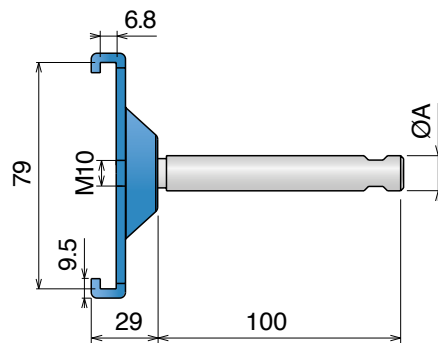
TYPE A

Used with Part 136 Pag 150

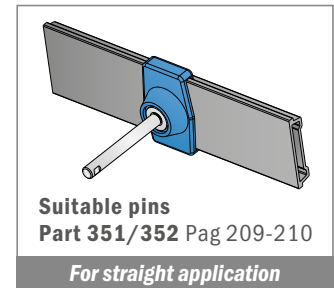


TYPE B

Used with Part 135 Pag 150

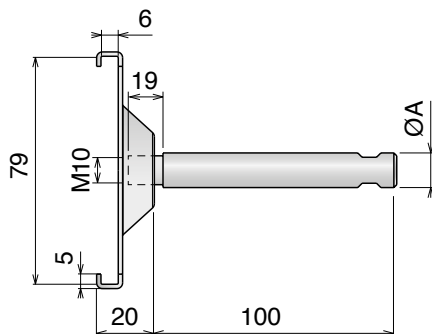


Part	Article-Nr.	ØA	Colour
341	34161	without pin	Hygienic blue
341	34162	12	Hygienic blue
341	34163	16	Hygienic blue
341	34111	without pin	Black
341	34112	12	Black
341	34113	16	Black



## 3310 Morsetto acciaio inox Clamp, stainless steel / Klemme, Edelstahl

Used with Part 135 Pag 150 - Suitable pins Part 351/352 Pag 209-210

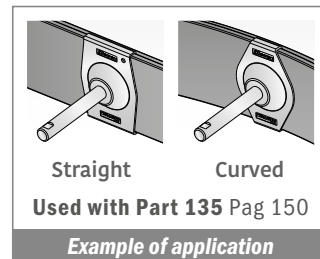


For straight application

Part	Article-Nr.	ØA
3310	33101	without pin
3310	33102	12
3310	33103	16

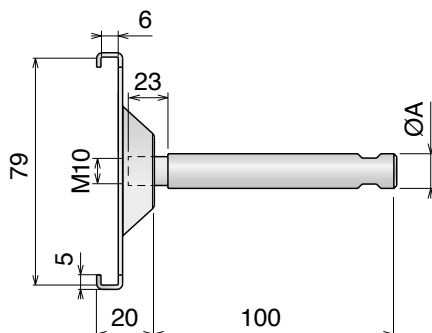
For curved application

Part	Article-Nr.	ØA
3310	33105	without pin
3310	33106	12
3310	33107	16



## 3311 Morsetto acciaio inox Clamp, stainless steel / Klemme, Edelstahl

Suitable pins Part 3004/3005 Pag 210

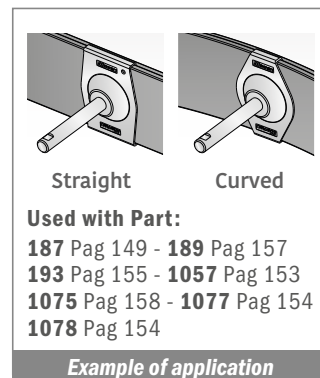


For straight application

Part	Article-Nr.	ØA
3311	33112	12
3311	33113	16

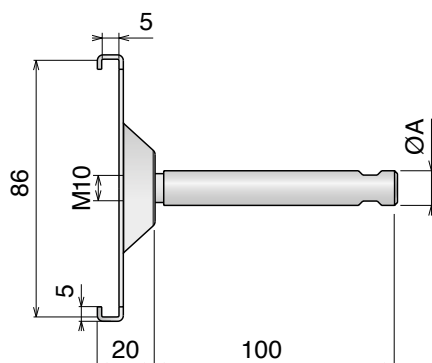
For curved application

Part	Article-Nr.	ØA
3311	33116	12
3311	33117	16

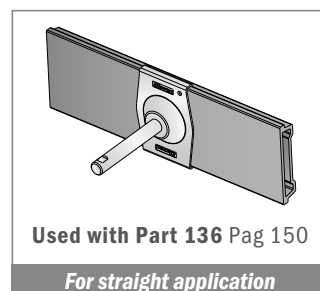


## 345 Morsetto acciaio inox Clamp, stainless steel / Klemme, Edelstahl

Suitable pins Part 351/352 Pag 209-210



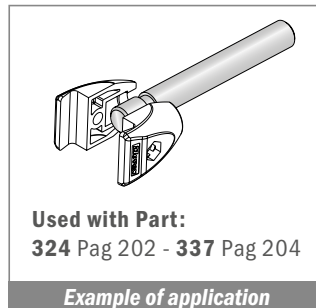
Part	Article-Nr.	ØA
345	34501	without pin
345	34502	12
345	34503	16



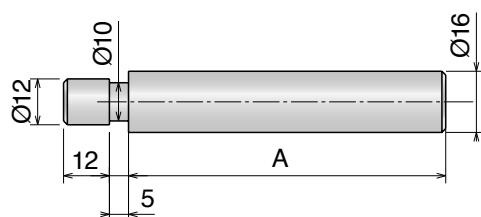
## 349 Perno Rod / Bolzen



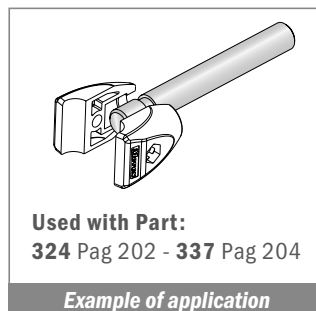
Part	Article-Nr.	A
349	34901	80
349	34902	100
349	34903	150



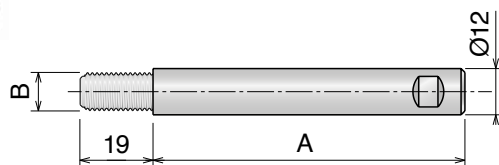
## 350 Perno Rod / Bolzen



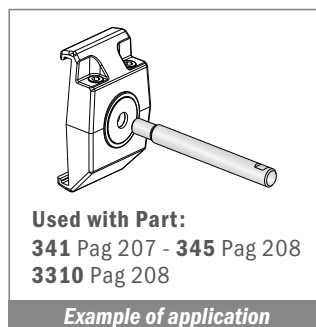
Part	Article-Nr.	A
350	35001	80
350	35002	100
350	35003	150



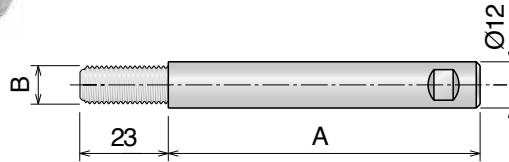
## 351 Perno Rod / Bolzen



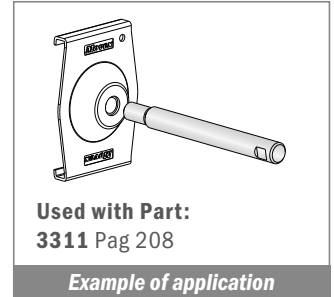
Part	Article-Nr.	A	B
351	35101	80	M10
351	35102	100	M10
351	35103	150	M10
351	35151	80	M8
351	35152	100	M8
351	35153	150	M8



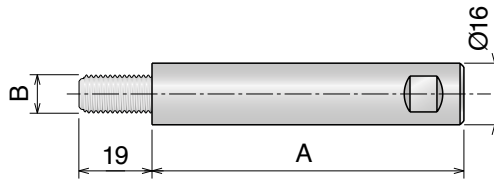
## 3004 Perno Rod / Bolzen



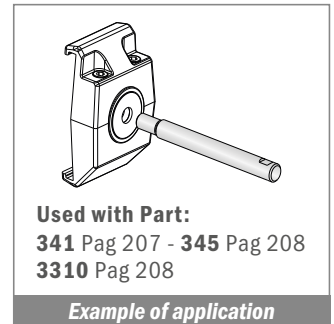
Part	Article-Nr.	A	B
3004	300401	80	M10
3004	300402	100	M10
3004	300403	150	M10
3004	300451	80	M8
3004	300452	100	M8
3004	300453	150	M8



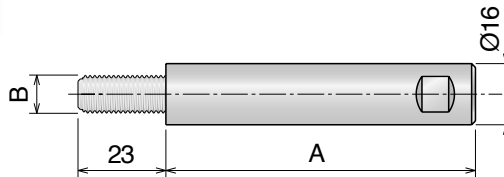
## 352 Perno Rod / Bolzen



Part	Article-Nr.	A	B
352	35201	80	M10
352	35202	100	M10
352	35203	150	M10
352	35251	80	M8
352	35252	100	M8
352	35253	150	M8



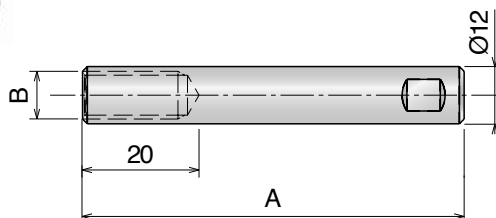
## 3005 Perno Rod / Bolzen



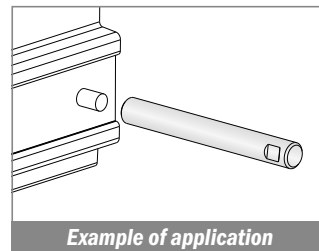
Part	Article-Nr.	A	B
3005	300501	80	M10
3005	300502	100	M10
3005	300503	150	M10
3005	300551	80	M8
3005	300552	100	M8
3005	300553	150	M8



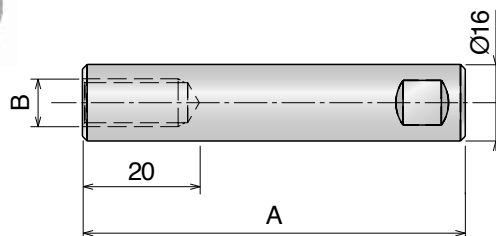
## 347 Perno filettato femmina Rod / Bolzen



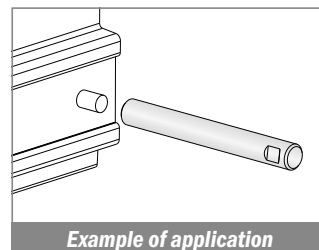
Part	Article-Nr.	A	B
347	34701	80	M10
347	34702	100	M10
347	34703	150	M10
347	34751	80	M8
347	34752	100	M8
347	34753	150	M8



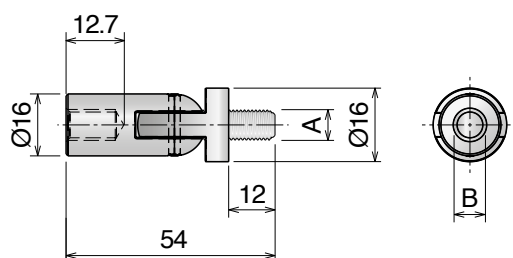
## 348 Perno filettato femmina Rod / Bolzen



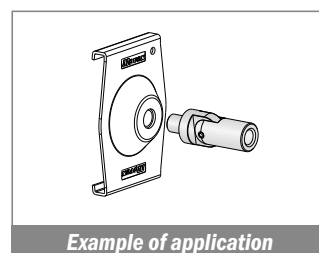
Part	Article-Nr.	A	B
348	34801	80	M10
348	34802	100	M10
348	34803	150	M10
348	34851	80	M8
348	34852	100	M8
348	34853	150	M8



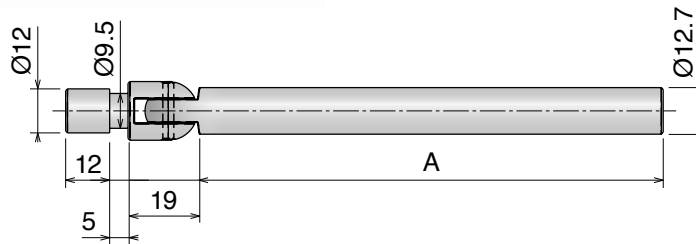
## 346 Snodo Joint rod adapter / Gelenk



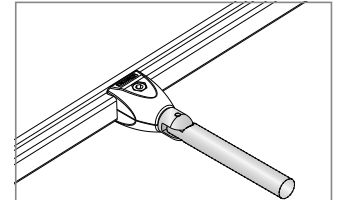
Part	Article-Nr.	A	B
346	34699	M8	M8
346	34602	M8	M10
346	34603	M10	M10



## 356 Perno snodato Jointed rods / Gelenkbolzen



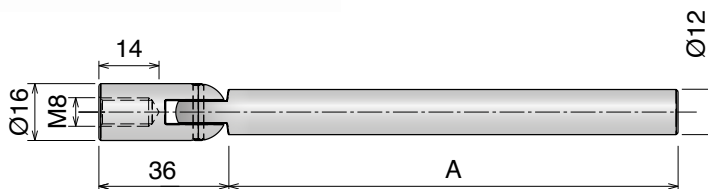
Part	Article-Nr.	A
356	35601	80
356	35602	100
356	35603	150



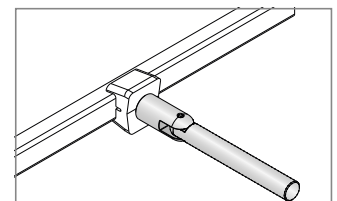
Used with Part:  
324 Pag 202  
337 Pag 204

Example of application

## 357 Perno snodato Jointed rods / Gelenkbolzen

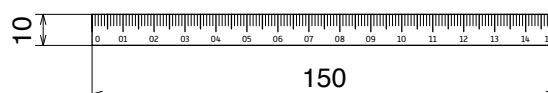
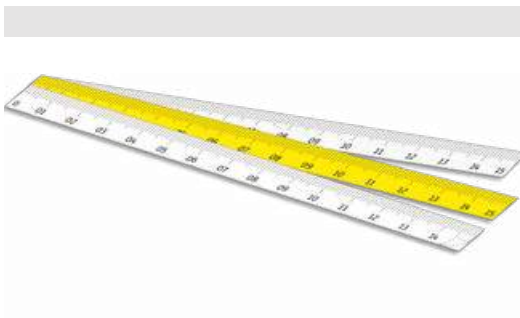


Part	Article-Nr.	A
357	35701	80
357	35702	100
357	35703	150

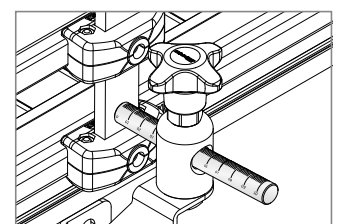


Example of application

## 3099 Righelli adesivi Sticker rulers / Aufkleber Lineale

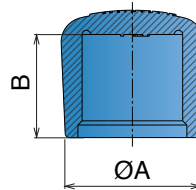
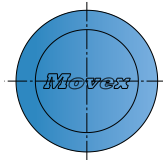


Part	Article-Nr.	Color	Sheet
3099	309999	White	26 pcs
3099	309999T	Transparent	26 pcs
3099	309999Y	Yellow	26 pcs



Example of application

## 3011 Cappucci terminali End caps / Abdeckstopfen

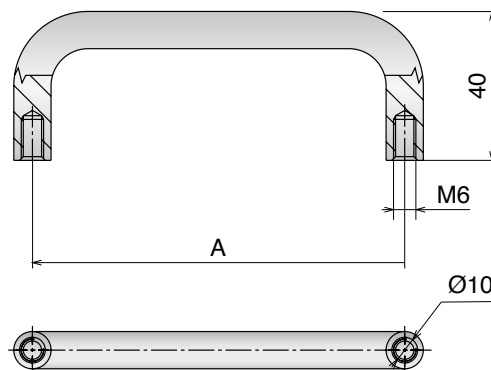
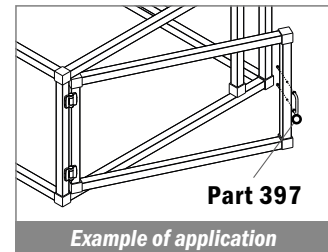


Part	Article-Nr.	ØA	B	Colour	Box
3011	301101C	Ø12	12,3	Hygienic blue	100 pcs
3011	301102C	Ø14	12,8	Hygienic blue	100 pcs
3011	301103C	Ø16	16,4	Hygienic blue	100 pcs
3011	301104C	Ø20	20,1	Hygienic blue	100 pcs
3011	301101A	Ø12	12,3	Black	100 pcs
3011	301102A	Ø14	12,8	Black	100 pcs
3011	301103A	Ø16	16,4	Black	100 pcs
3011	301104A	Ø20	20,1	Black	100 pcs
3011	301101B	Ø12	12,3	Yellow	100 pcs
3011	301102B	Ø14	12,8	Yellow	100 pcs
3011	301103B	Ø16	16,4	Yellow	100 pcs
3011	301104B	Ø20	20,1	Yellow	100 pcs

## 397 Maniglia acciaio inox Stainless Steel handle / Handgriffe Edelstahl

Stainless Steel | AISI 304

Part	Article-Nr.	A
397	39701	95
397	39702	100
397	39703	110



**Materiale / Material / Materialien:**

Maniglia: Poliammide/Handle: Polyamide/Griff: Polyamid

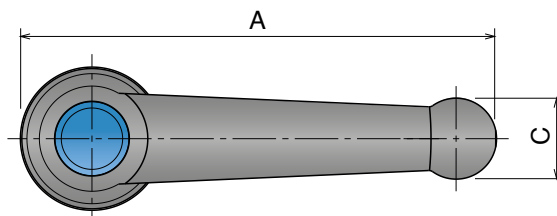
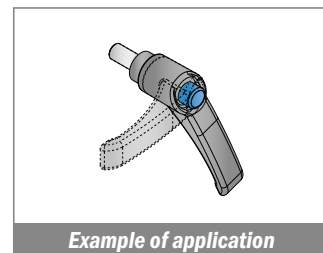
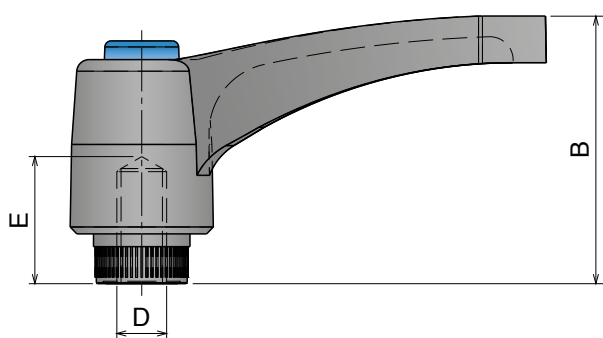
Inserto femmina: Ottone nichelato/Female insert: Nickel plated brass/Einsatz: Messing vernickelt

Inserto maschio: Acciaio inox/Male insert: Stainless steel/Aussengewinde: Edelstahl

## 374 Maniglia a ripresa Adjustable handle / Ratschenhebel



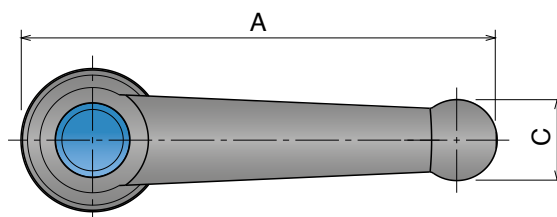
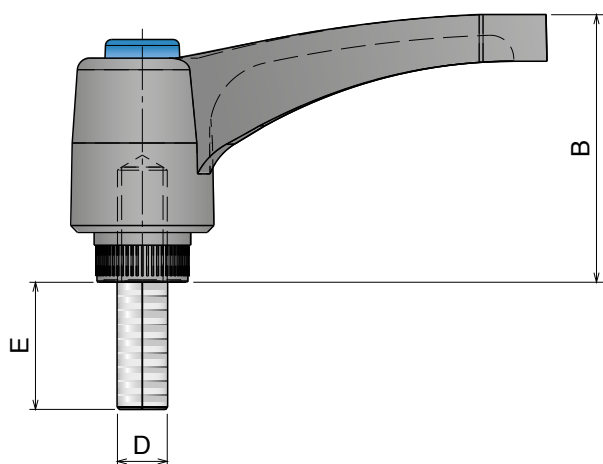
Part	Article-Nr.	A	B	C	D	E	Box
374	37453	51	33	9	M5	12	20 pcs
374	37454	51	33	9	M6	12	20 pcs
374	37455	63	41	12	M6	18	20 pcs
374	37456	63	41	12	M8	18	20 pcs
374	37457	63	41	12	M10	18	20 pcs
374	37451	76.5	43	13	M8	18	20 pcs
374	37459	76.5	43	13	M10	18	20 pcs
374	37452	93.5	54	15.5	M10	22	20 pcs
374	37458	93.5	54	15.5	M12	22	20 pcs



## 375 Maniglia a ripresa Adjustable handle / Ratschenhebel



Part	Article-Nr.	A	B	C	D	E	Box
375	37558	51	33	9	M5	15	20 pcs
375	37559	51	33	9	M6	15	20 pcs
375	37560	63	41	12	M8	15	20 pcs
375	37561	63	41	12	M8	20	20 pcs
375	37565	63	41	12	M8	55	20 pcs
375	37551	76.5	43	13	M8	20	20 pcs
375	37562	76.5	43	13	M8	25	20 pcs
375	37552	76.5	43	13	M10	25	20 pcs
375	37563	93.5	54	15.5	M10	20	20 pcs
375	37564	93.5	54	15.5	M10	25	20 pcs



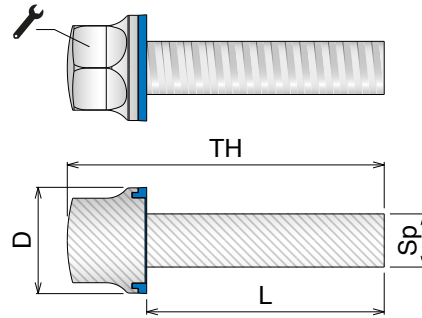
## 903 Vite igienica certificata ed igienica Certified hygienic screw / Zertifiziert hygienische Schraube



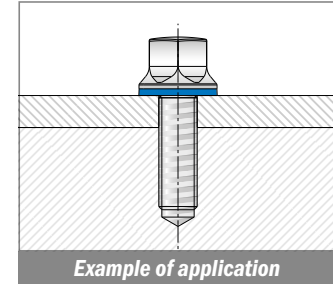
**Main features:**

- Stainless steel AISI 304
- Blue seal for hermetic closure

Art-Nr.	Sp	D	TH	L		Box
903255	M8	16	58	45	13	10 pcs
903253	M10	20	60	45	16	10 pcs
903251	M12	24,5	78	60	18	10 pcs



**CERTIFIED PRODUCTS**  
ASK FOR CERTIFICATION:  
certificate@movexii.com



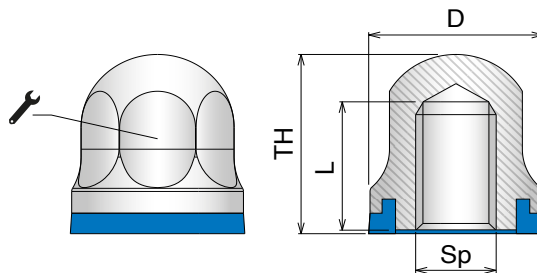
## 903 Dado certificato ed igienico Certified hygienic nut / Zertifiziert hygienische Hutmutter



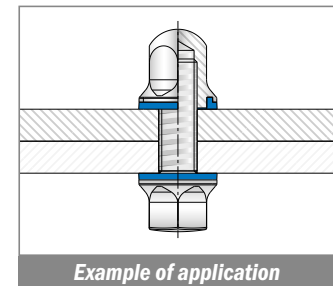
**Main features:**

- Stainless steel AISI 304
- Blue seal for hermetic closure

Art-Nr.	Sp	D	TH	L		Box
903235	M6	13	14	10	10	10 pcs
903236	M8	16	17	12	13	10 pcs
903237	M10	20	20,5	15	16	10 pcs
903238	M12	24,5	25	18	18	10 pcs
903239	M16	32	32	23	24	10 pcs
903240	M20	39	38	27	30	10 pcs



**CERTIFIED PRODUCTS**  
ASK FOR CERTIFICATION:  
certificate@movexii.com



## 998 Dado Nut / Sechskantmutter



**Main features:**

- Stainless steel (SS) or Zinc plated steel (FeZn)
- UNI 5588 - ISO 4032 - DIN 934

Art-Nr.	Art-Nr.	Sp	Box
SS	FeZn		
99801	99801Z	M10	50 pcs
99802	99802Z	M12	50 pcs
99804	99804Z	M16	10 pcs
99805	99805Z	M20	10 pcs
99806	99806Z	M24	5 pcs
99807	99807Z	M30	5 pcs
99808	99808Z	M36	5 pcs



**Movex**<sup>®</sup>  
OFFICIAL UK PARTNER

### Oadby Conveyors

Oadby Conveyors  
68 Scudamore Road  
Braunstone Frith Ind. Est.  
Leicester  
LE3 1UA

0116 232 4848  
convteam@oadbyplastics.co.uk

### Head Office

Oadby Plastics Ltd  
68 Scudamore Road  
Braunstone Frith Ind. Est.  
Leicester  
LE3 1UA

0116 232 1010  
sales@oadbyplastics.co.uk

For further information and specification details please visit our comprehensive website. Due to a policy of continual product development, Oadby Conveyors reserves the right to alter any of the specifications given in the publication without prior notice. The specification must be checked with Oadby Conveyors prior to manufacture. For this reason no responsibility or liability for accuracy is accepted by Oadby Conveyors.

Company registration No. 03542957 | [www.oadbyconveyors.co.uk](http://www.oadbyconveyors.co.uk)



Certificate Number 8147  
ISO 9001, ISO 14001