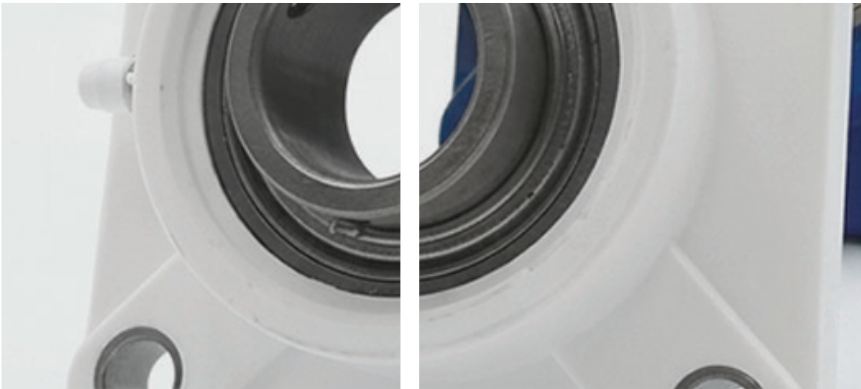


# Product Overview



Movex  
**Blueline**

**Bearing  
Supports**



**Movex**<sup>®</sup>  
OFFICIAL UK PARTNER





## FL Series - Hygienic version



Standard version  
Pag 232



Watertight version  
Close & open cap  
Pag 233/234

## F Series - Hygienic version



Standard version  
Pag 235



Watertight version  
Close & open cap  
Pag 236/237

## FB Series - Hygienic version



Standard version  
Pag 238



Watertight version  
Close & open cap  
Pag 239/240

## UCP Series - Hygienic version



Standard version  
Pag 241



Watertight version  
Close & open cap  
Pag 242/243

## UCT Series - Hygienic version



Standard version  
Pag 244



Watertight version  
Close & open cap  
Pag 245/246

## Hygienic Accessories

898



Pag 247

898



Pag 247

897



Pag 247

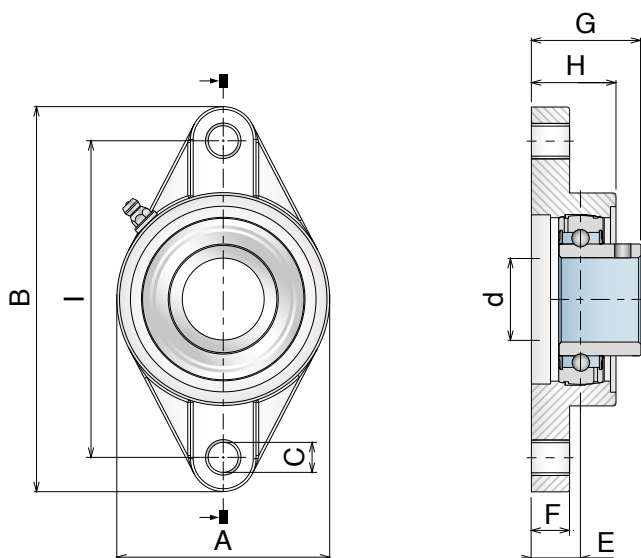
This catalog contains only a limited selection of all the products available at Movex S.p.A.  
For a complete overview, please visit our website or contact your sales representative.

**FL** Grub screw

Standard bearings - solid version

**Main features:**

- Housing in reinforced polypropylene
- Stainless steel ball bearing (pre-lubricated)
- Stainless steel mounting hole spacers
- Stainless steel grease nipple 1/8" GAS
- Washer for grease nipple in PE



FIXING METHOD



GRUB SCREW

Stainless Steel											Caps (Accessories)	
Article-Number	Series	d	I	A	B	C	E	F	G	H	Close	Open
○ 81300 ● 81300B	FL 204	20	90	64	113	11	15,4	11,4	33,4	26,5	89801	89851
○ 81301 ● 81301B	FL 205	25	99	70	131	11	17	14	36,5	29,5	89802	89852
○ 81305 ● 81305B	FL 206/90,5	30	90,5	84	112,5	11	11,5	20,5	33,5	23,3	89803	89853
○ 81302 ● 81302B	FL 206		117	80	148	11	18	14	40	30,5	89803	89853
○ 81303 ● 81303B	FL 207	35	130	90	164	13	18	16,1	41,5	32,8	89804	89854
○ 81306 ● 81306B	FL 208/119	40	119	99	150	14	13,5	24,5	38,5	27,5	89805	89855
○ 81304 ● 81304B	FL 208		144	100	176	14	21,5	20	46,5	37,5	89805	89855

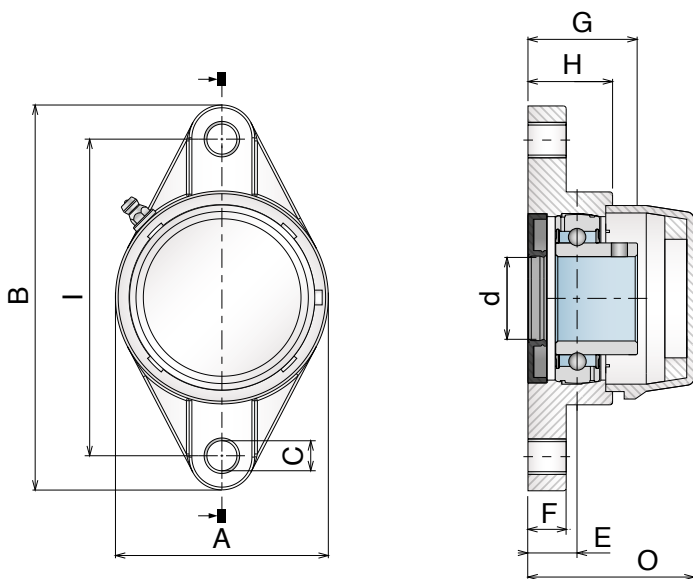
For blue caps, add "B" to the code (e.g.: 89801B)

**FL** Grub screw

Watertight bearings - solid version

**Main features:**

- Housing in reinforced polypropylene
- Stainless steel ball bearing (pre-lubricated)
- Stainless steel mounting hole spacers
- Stainless steel grease nipple 1/8" GAS
- Polypropylene closed cap with O-ring seal
- Washer for grease nipple in PE
- NBR bottom seal



**FIXING METHOD**



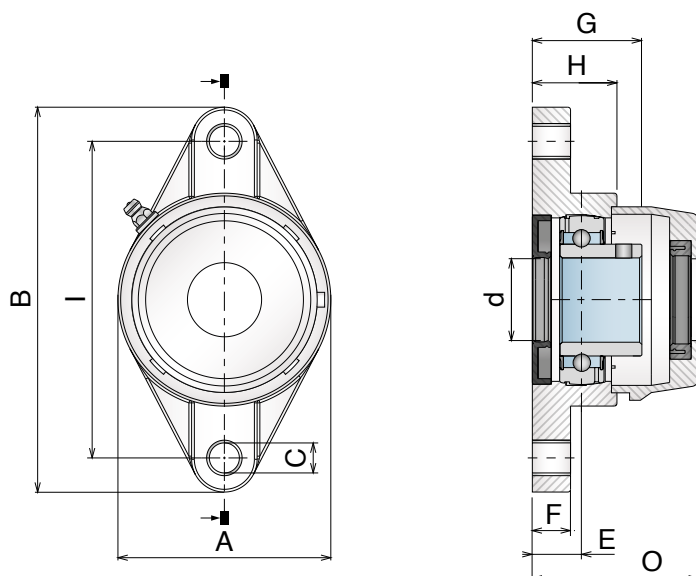
Stainless Steel		Series	d	I	A	B	C	E	F	G	H	O
○ 81320 ● 81320B	FL 204	20	90	64	113	11	15,4	11,4	33,4	26,5	46,5	
○ 81321 ● 81321B	FL 205	25	99	70	131	11	17	14	36,5	29,5	51	
○ 81325 ● 81325B	FL 206/90,5	30	90,5	84	112,5	11	11,5	20,5	33,5	23,3	50	
○ 81322 ● 81322B	FL 206		117	80	148	11	18	14	40	30,5	58	
○ 81323 ● 81323B	FL 207	35	130	90	164	13	18	16,1	41,5	32,8	61	
○ 81326 ● 81326B	FL 208/119	40	119	99	150	14	13,5	24,5	38,5	27,5	60,5	
○ 81324 ● 81324B	FL 208		144	100	176	14	21,5	20	46,5	37,5	71	

**FL** Grub screw

Watertight bearings - solid version

**Main features:**

- Housing in reinforced polypropylene
- Stainless steel ball bearing (pre-lubricated)
- Stainless steel mounting hole spacers
- Stainless steel grease nipple 1/8" GAS
- Polypropylene open cap with O-ring seal & NBR top seal
- Washer for grease nipple in PE
- NBR bottom seal



**FIXING METHOD**



GRUB SCREW

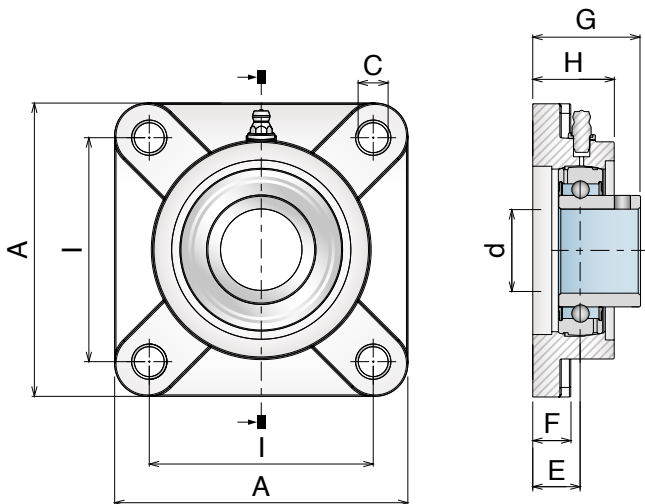
Stainless Steel		Series	d	I	A	B	C	E	F	G	H	O
○ 81330 ● 81330B	FL 204	20	90	64	113	11	15,4	11,4	33,4	26,5	46,5	
○ 81331 ● 81331B	FL 205	25	99	70	131	11	17	14	36,5	29,5	51	
○ 81335 ● 81335B	FL 206/90,5	30	90,5	84	112,5	11	11,5	20,5	33,5	23,3	50	
○ 81332 ● 81332B	FL 206		117	80	148	11	18	14	40	30,5	58	
○ 81333 ● 81333B	FL 207	35	130	90	164	13	18	16,1	41,5	32,8	61	
○ 81336 ● 81336B	FL 208/119	40	119	99	150	14	13,5	24,5	38,5	27,5	60,5	
○ 81334 ● 81334B	FL 208		144	100	176	14	21,5	20	46,5	37,5	71	

**F** Grub screw

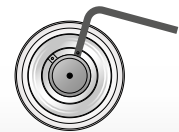
Standard bearings - solid version

**Main features:**

- Housing in reinforced polypropylene
- Stainless steel ball bearing (pre-lubricated)
- Stainless steel mounting hole spacers
- Stainless steel grease nipple 1/8" GAS
- Washer for grease nipple in PE



FIXING METHOD



GRUB SCREW

Stainless Steel										Caps (Accessories)				
Article-Number		Series	d	I	A	C	E	F	G	H	Close	Open		
○	<b>81400</b>	●	<b>81400B</b>	F 204	20	63,5	86	11	18	13,4	34,8	25,3	<b>89801</b>	<b>89851</b>
○	<b>81401</b>	●	<b>81401B</b>	F 205	25	70	95	11	17	14	35,8	28,5	<b>89802</b>	<b>89852</b>
○	<b>81402</b>	●	<b>81402B</b>	F 206	30	83	107	11	19,2	14,3	40,8	31,5	<b>89803</b>	<b>89853</b>
○	<b>81403</b>	●	<b>81403B</b>	F 207	35	92	118	13	21,5	15,5	42,8	34,4	<b>89804</b>	<b>89854</b>
○	<b>81404</b>	●	<b>81404B</b>	F 208	40	102	130	14	23	17	46,2	33,4	<b>89805</b>	<b>89855</b>

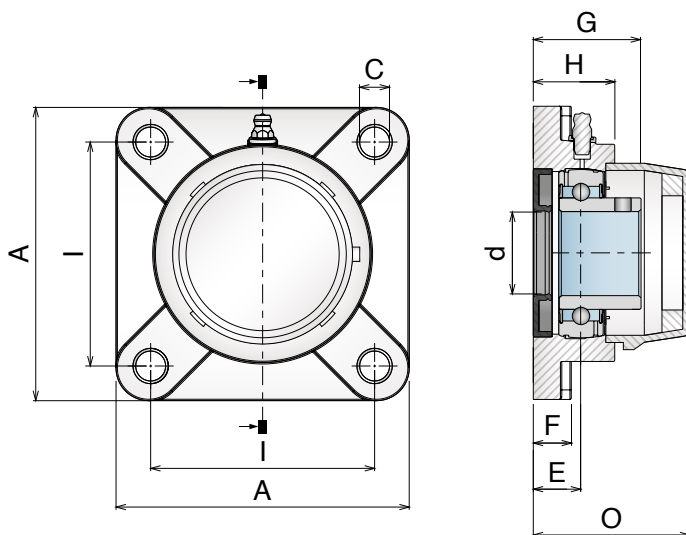
For blue caps, add "B" to the code (e.g.: 89801B)

**F** Grub screw

Watertight bearings - solid version

**Main features:**

- Housing in reinforced polypropylene
- Stainless steel ball bearing (pre-lubricated)
- Stainless steel mounting hole spacers
- Stainless steel grease nipple 1/8" GAS
- Polypropylene closed cap with O-ring seal
- Washer for grease nipple in PE
- NBR bottom seal



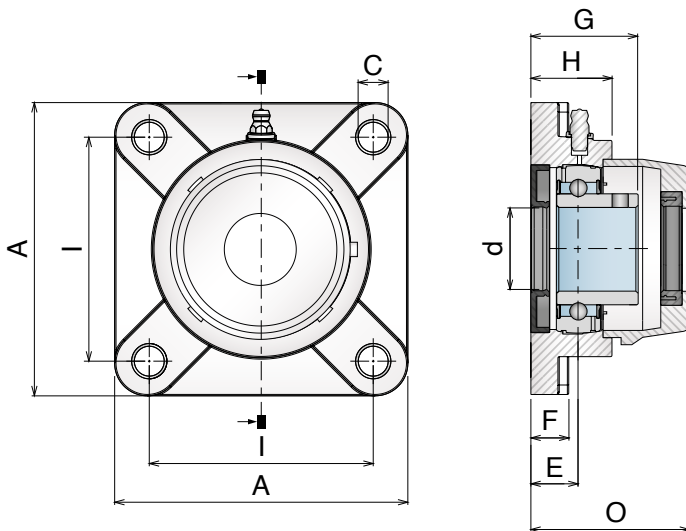
Stainless Steel		Article-Number	Series	d	I	A	C	E	F	G	H	O	
○	●	81420	81420B	F 204	20	63,5	86	11	18	13,4	34,8	25,3	48,5
○	●	81421	81421B	F 205	25	70	95	11	17	14	35,8	28,5	51
○	●	81422	81422B	F 206	30	83	107	11	19,2	14,3	40,8	31,5	59
○	●	81423	81423B	F 207	35	92	118	13	21,5	15,5	42,8	34,4	62,5
○	●	81424	81424B	F 208	40	102	130	14	23	17	46,2	33,4	71

**F** Grub screw

Watertight bearings - solid version

**Main features:**

- Housing in reinforced polypropylene
- Stainless steel ball bearing (pre-lubricated)
- Stainless steel mounting hole spacers
- Stainless steel grease nipple 1/8" GAS
- Polypropylene open cap with O-ring seal & NBR top seal
- Washer for grease nipple in PE
- NBR bottom seal



FIXING METHOD



GRUB SCREW

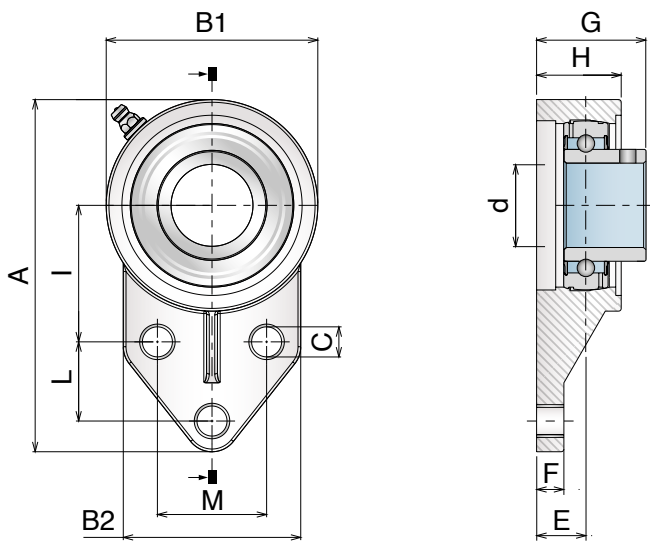
Stainless Steel		Series	d	I	A	C	E	F	G	H	O
○ 81430 ● 81430B	F 204	20	63,5	86	11	18	13,4	34,8	25,3	48,5	
○ 81431 ● 81431B	F 205	25	70	95	11	17	14	35,8	28,5	51	
○ 81432 ● 81432B	F 206	30	83	107	11	19,2	14,3	40,8	31,5	59	
○ 81433 ● 81433B	F 207	35	92	118	13	21,5	15,5	42,8	34,4	62,5	
○ 81434 ● 81434B	F 208	40	102	130	14	23	17	46,2	33,4	71	

**FB** Grub screw

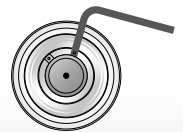
Standard bearings - solid version

**Main features:**

- Housing in reinforced polypropylene
- Stainless steel ball bearing (pre-lubricated)
- Stainless steel mounting hole spacers
- Stainless steel grease nipple 1/8" GAS
- Washer for grease nipple in PE



FIXING METHOD



GRUB SCREW

Stainless Steel														Caps (Accessories)	
Article-Number	Series	d	A	B1	B2	C	E	F	G	H	I	L	M	Close	Open
○ 81500 ● 81500B	FB 204	20	108,5	62	62	11	15,4	12	33,4	26,2	42,9	22,2	38,1	89801	89851
○ 81501 ● 81501B	FB 205	25	120,6	68,5	63,5	11	21	12	40,5	33,5	46	28,6	41,3	89802	89852
○ 81502 ● 81502B	FB 206	30	140	82	75	11	19	14	41	31,5	52,4	31,8	47,6	89803	89853
○ 81503 ● 81503B	FB 207	35	158	94	89	13	21,4	17	44,9	36,5	60,3	31,8	50,8	89804	89854
○ 81504 ● 81504B	FB 208	40	164	100	78	13	21,4	18	46,4	35,7	60,3	41,3	50	89805	89855

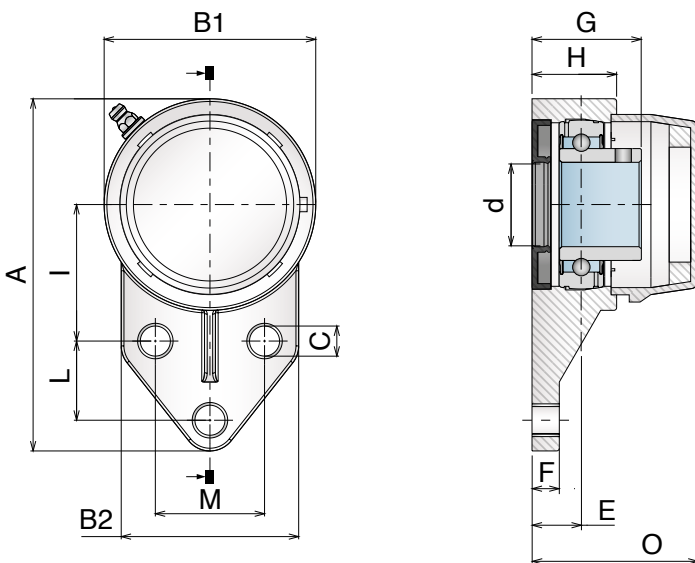
For blue caps, add "B" to the code (e.g.: 89801B)

**FB** Grub screw

Watertight bearings - solid version

**Main features:**

- Housing in reinforced polypropylene
- Stainless steel ball bearing (pre-lubricated)
- Stainless steel mounting hole spacers
- Stainless steel grease nipple 1/8" GAS
- Polypropylene closed cap with O-ring seal
- Washer for grease nipple in PE
- NBR bottom seal



FIXING METHOD



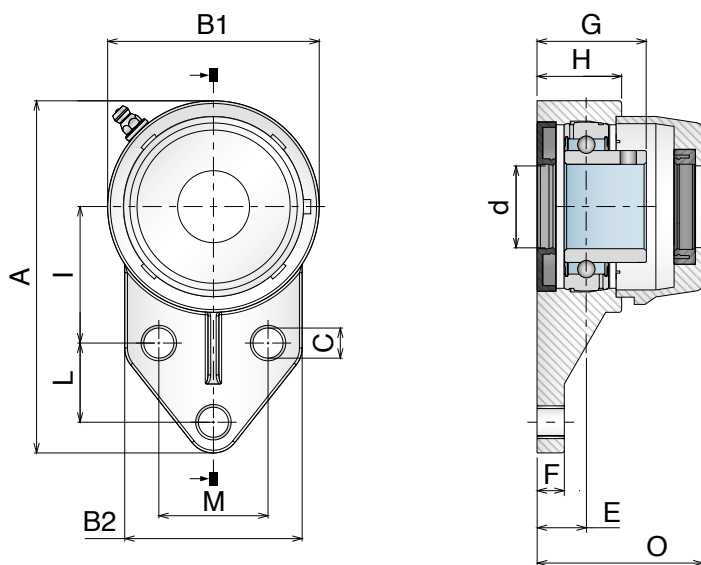
Stainless Steel		Series	d	A	B1	B2	C	E	F	G	H	I	L	M	O	
○	<b>81520</b>	● <b>81520B</b>	FB 204	20	108,5	62	62	11	15,4	12	33,4	26,2	42,9	22,2	38,1	46
○	<b>81521</b>	● <b>81521B</b>	FB 205	25	120,6	68,5	63,5	11	21	12	40,5	33,5	46	28,6	41,3	54,5
○	<b>81522</b>	● <b>81522B</b>	FB 206	30	140	82	75	11	19	14	41	31,5	52,4	31,8	47,6	58
○	<b>81523</b>	● <b>81523B</b>	FB 207	35	158	94	89	13	21,4	17	44,9	36,5	60,3	31,8	50,8	65,5
○	<b>81524</b>	● <b>81524B</b>	FB 208	40	164	100	78	13	21,4	18	46,4	35,7	60,3	41,3	50	70

**FB** Grub screw

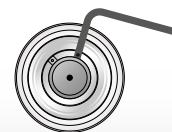
Watertight bearings - solid version

**Main features:**

- Housing in reinforced polypropylene
- Stainless steel ball bearing (pre-lubricated)
- Stainless steel mounting hole spacers
- Stainless steel grease nipple 1/8" GAS
- Polypropylene open cap with O-ring seal & NBR top seal
- Washer for grease nipple in PE
- NBR bottom seal



FIXING METHOD



GRUB SCREW

Stainless Steel

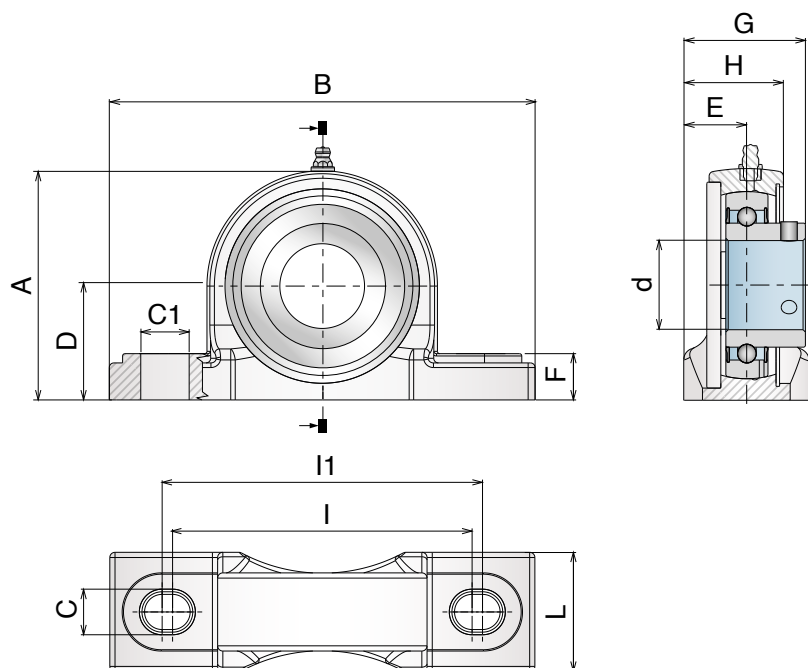
Article-Number	Series	d	A	B1	B2	C	E	F	G	H	I	L	M	O
○ 81530 ● 81530B	FB 204	20	108,5	62	62	11	15,4	12	33,4	26,2	42,9	22,2	38,1	46
○ 81531 ● 81531B	FB 205	25	120,6	68,5	63,5	11	21	12	40,5	33,5	46	28,6	41,3	54,5
○ 81532 ● 81532B	FB 206	30	140	82	75	11	19	14	41	31,5	52,4	31,8	47,6	58
○ 81533 ● 81533B	FB 207	35	158	94	89	13	21,4	17	44,9	36,5	60,3	31,8	50,8	65,5
○ 81534 ● 81534B	FB 208	40	164	100	78	13	21,4	18	46,4	35,7	60,3	41,3	50	70

## UCP Grub screw

Standard bearings - solid version

### Main features:

- Housing in reinforced polypropylene
- Stainless steel ball bearing (pre-lubricated)
- Stainless steel mounting hole spacers
- Stainless steel grease nipple 1/8" GAS
- Washer for grease nipple in PE



### FIXING METHOD



GRUB SCREW

Stainless Steel																Caps (Accessories)	
Article-Number	Series	d	I	I1	A	B	C	C1	D	E	F	G	H	L	Close	Open	
○ 81800 ● 81800B	UCP 204	20	92	98	65,5	127	11	14	34	18,8	15	37	30	37	89801	89851	
○ 81801 ● 81801B	UCP 205	25	102	108	71	140,5	11	14	36,7	19	15	38	33	37,8	89802	89852	
○ 81802 ● 81802B	UCP 206	30	115	123	83,5	163,6	14	18	43,3	23	17,8	46	38	46	89803	89853	
○ 81803 ● 81803B	UCP 207	35	123	131	94,2	168	14	18	48	24	18	48	39	48	89804	89854	
○ 81804 ● 81804B	UCP 208	40	133	141	98,8	184	14	18	50	26,9	20	51,8	43	53,6	89805	89855	

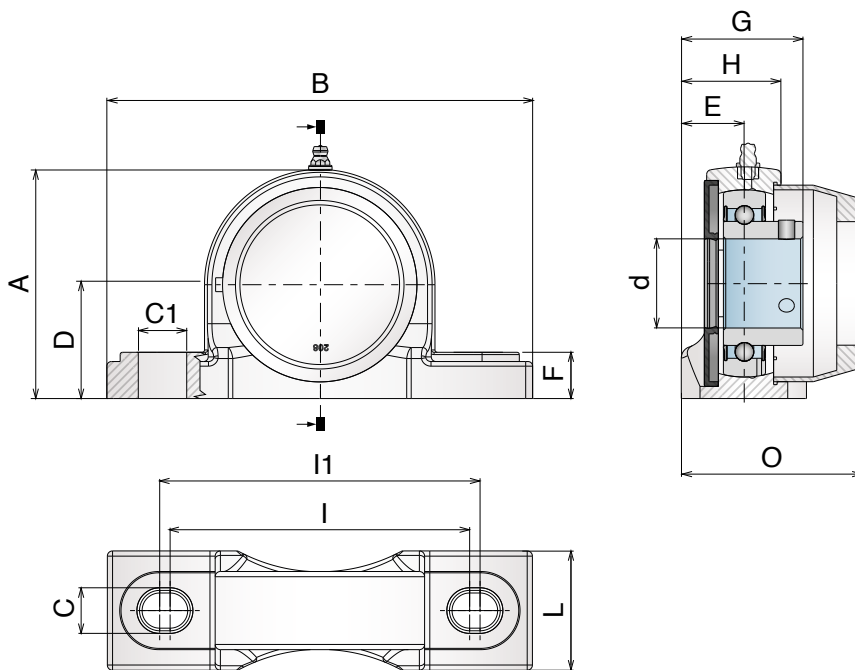
For blue caps, add "B" to the code (e.g.: 89801B)

## UCP Grub screw

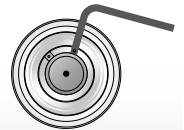
Watertight bearings - solid version

### Main features:

- Housing in reinforced polypropylene
- Stainless steel ball bearing (pre-lubricated)
- Stainless steel mounting hole spacers
- Stainless steel grease nipple 1/8" GAS
- Polypropylene closed cap with O-ring seal
- Washer for grease nipple in PE
- NBR bottom seal



### FIXING METHOD



GRUB SCREW

Stainless Steel

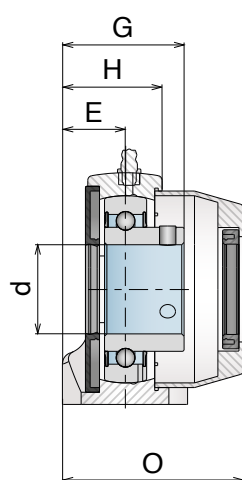
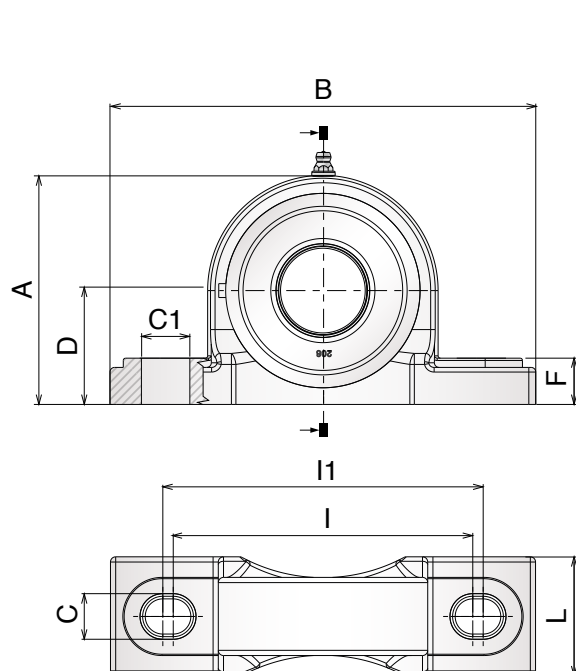
Article-Number	Series	d	I	I1	A	B	C	C1	D	E	F	G	H	L	O
○ 81820 ● 81820B	UCP 204	20	92	98	65,5	127	11	14	34	18,8	15	37	30	37	50
○ 81821 ● 81821B	UCP 205	25	102	108	71,1	140,5	11	14	36,7	19	15	38	33	37,8	54,1
○ 81822 ● 81822B	UCP 206	30	115	123	83,5	163,6	14	18	43,3	23	17,8	46	38	46	65
○ 81823 ● 81823B	UCP 207	35	123	131	94,2	168	14	18	48	24	18	48	39	48	67
○ 81824 ● 81824B	UCP 208	40	133	141	98,8	184	14	18	50	26,9	20	51,8	43	53,6	77,5

## UCP Grub screw

Watertight bearings - solid version

### Main features:

- Housing in reinforced polypropylene
- Stainless steel ball bearing (pre-lubricated)
- Stainless steel mounting hole spacers
- Stainless steel grease nipple 1/8" GAS
- Polypropylene open cap with O-ring seal & NBR top seal
- Washer for grease nipple in PE
- NBR bottom seal



### FIXING METHOD



GRUB SCREW

### Stainless Steel

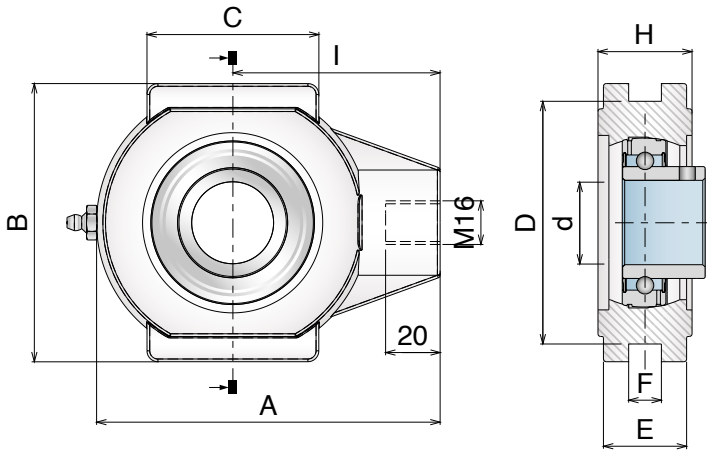
Article-Number	Series	d	I	I1	A	B	C	C1	D	E	F	G	H	L	O
○ 81830 ● 81830B	UCP 204	20	92	98	65,5	127	11	14	34	18,8	15	37	30	37	50
○ 81831 ● 81831B	UCP 205	25	102	108	71,1	140,5	11	14	36,7	19	15	38	33	37,8	54,1
○ 81832 ● 81832B	UCP 206	30	115	123	83,5	163,6	14	18	43,3	23	17,8	46	38	46	65
○ 81833 ● 81833B	UCP 207	35	123	131	94,2	168	14	18	48	24	18	48	39	48	67
○ 81834 ● 81834B	UCP 208	40	133	141	98,8	184	14	18	50	26,9	20	51,8	43	53,6	77,5

## UCT Grub screw

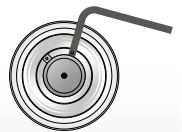
Standard bearings - solid version

### Main features:

- Housing in reinforced polypropylene
- Stainless steel ball bearing (pre-lubricated)
- Stainless steel mounting hole spacers
- Stainless steel grease nipple 1/8" GAS
- Washer for grease nipple in PE



FIXING METHOD



GRUB SCREW

Stainless Steel											Caps (Accessories)	
Article-Number	Series	d	I	A	B	C	D	E	F	H	Close	Open
○ 86000 ● 86000B	UCT 204	20	64	99	88	47	76	23,5	12	27,5	89801	89851
○ 86001 ● 86001B	UCT 205	25	64	99	88	47	76	23,5	12	27,5	89802	89852
○ 86002 ● 86002B	UCT 206	30	76	125	102	63	90	30,5	12	34,5	89803	89853
○ 86003 ● 86003B	UCT 207	35	76	125	102	63	90	30,5	12	34,5	89804	89854
○ 86004 ● 86004B	UCT 208	40	140	114	80	102	33,5	16	38,5	70	89805	89855

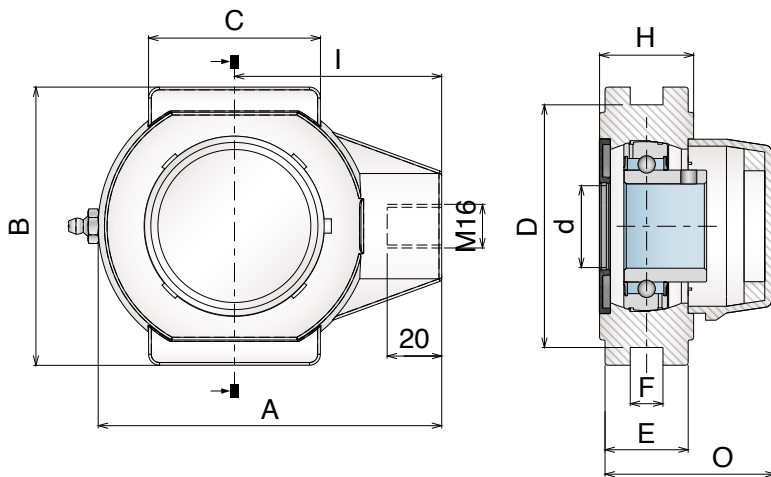
For blue caps, add "B" to the code (e.g.: 89802B)

# UCT *Grub screw*

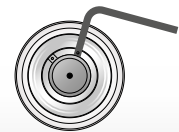
Watertight bearings - solid version

## Main features:

- Housing in reinforced polypropylene
- Stainless steel ball bearing (pre-lubricated)
- Stainless steel mounting hole spacers
- Stainless steel grease nipple 1/8" GAS
- Polypropylene closed cap with O-ring seal
- Washer for grease nipple in PE
- NBR bottom seal



FIXING METHOD



GRUB SCREW

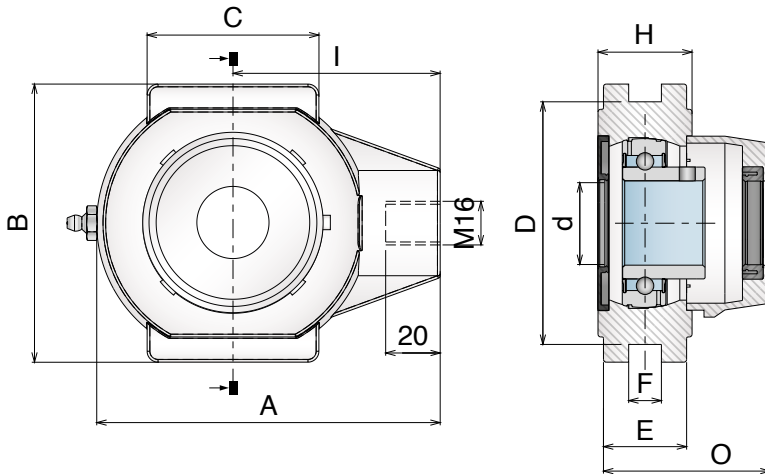
Stainless Steel		Series	d	I	A	B	C	D	E	F	H	O
○ 86020 ● 86020B	UCT 204	20	64	99	88	47	76	23,5	12	27,5	46,5	
○ 86021 ● 86021B	UCT 205	25	64	99	88	47	76	23,5	12	27,5	46,5	
○ 86022 ● 86022B	UCT 206	30	76	125	102	63	90	30,5	12	34,5	60	
○ 86023 ● 86023B	UCT 207	35	76	125	102	63	90	30,5	12	34,5	62	
○ 86024 ● 86024B	UCT 208	40	140	114	80	102	33,5	16	38,5	70	76	

## UCT Grub screw

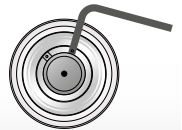
Watertight bearings - solid version

### Main features:

- Housing in reinforced polypropylene
- Stainless steel ball bearing (pre-lubricated)
- Stainless steel mounting hole spacers
- Stainless steel grease nipple 1/8" GAS
- Polypropylene open cap with O-ring seal & NBR top seal
- Washer for grease nipple in PE
- NBR bottom seal



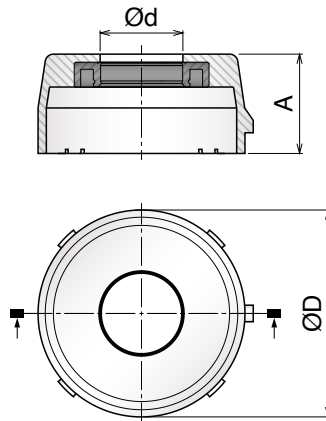
FIXING METHOD



GRUB SCREW

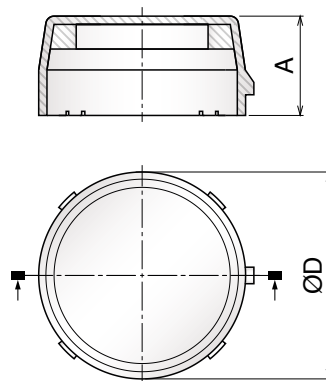
Stainless Steel		Article-Number	Series	d	I	A	B	C	D	E	F	H	O	
○	●	86030	86030B	UCT 204	20	64	99	88	47	76	23,5	12	27,5	46,5
○	●	86031	86031B	UCT 205	25	64	99	88	47	76	23,5	12	27,5	46,5
○	●	86032	86032B	UCT 206	30	76	125	102	63	90	30,5	12	34,5	60
○	●	86033	86033B	UCT 207	35	76	125	102	63	90	30,5	12	34,5	62
○	●	86034	86034B	UCT 208	40	140	114	80	102	33,5	16	38,5	70	76

## 898 Coperchio di sicurezza aperto / Open clip-on safety cap / Offene Schutzkappe



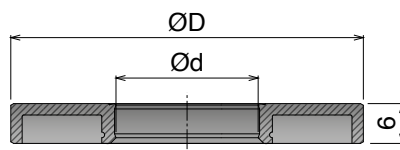
Color / Article - Nr.	ØD	Ød	A	Series
○ 89851	50	20	23	204
● 89851B	50	20	23	
○ 89852	55	25	25	205
● 89852B	55	25	25	
○ 89853	64	30	30	206
● 89853B	64	30	30	
○ 89854	73	35	32	207
● 89854B	73	35	32	
○ 89855	84	40	38	208
● 89855B	84	40	38	

## 898 Coperchio di sicurezza chiuso / Closed clip-on safety cap / Geschlossene Schutzkappe



Color / Article - Nr.	ØD	A	Series
○ 89801	50	23	204
● 89801B	50	23	
○ 89802	55	25	205
● 89802B	55	25	
○ 89803	64	30	206
● 89803B	64	30	
○ 89804	73	32	207
● 89804B	73	32	
○ 89805	84	38	208
● 89805B	84	38	

## 897 Anello di tenuta igienico / Hygienic ealing ring / Dichtringe



Color / Article - Nr.	ØD	Ød	Series
● 89701	52	20	204
● 89701B	52	20	
● 89702	62	25	205
● 89702B	62	25	
● 89703	72	30	206
● 89703B	72	30	
● 89704	82	35	207
● 89704B	82	35	
● 89705	88	40	208
● 89705B	88	40	



**Movex**<sup>®</sup>  
OFFICIAL UK PARTNER

### Oadby Conveyors

Oadby Conveyors  
68 Scudamore Road  
Braunstone Frith Ind. Est.  
Leicester  
LE3 1UA

0116 232 4848  
convteam@oadbyplastics.co.uk

### Head Office

Oadby Plastics Ltd  
68 Scudamore Road  
Braunstone Frith Ind. Est.  
Leicester  
LE3 1UA

0116 232 1010  
sales@oadbyplastics.co.uk

For further information and specification details please visit our comprehensive website. Due to a policy of continual product development, Oadby Conveyors reserves the right to alter any of the specifications given in the publication without prior notice. The specification must be checked with Oadby Conveyors prior to manufacture. For this reason no responsibility or liability for accuracy is accepted by Oadby Conveyors.

Company registration No. 03542957 | [www.oadbyconveyors.co.uk](http://www.oadbyconveyors.co.uk)



Certificate Number 8147  
ISO 9001, ISO 14001