

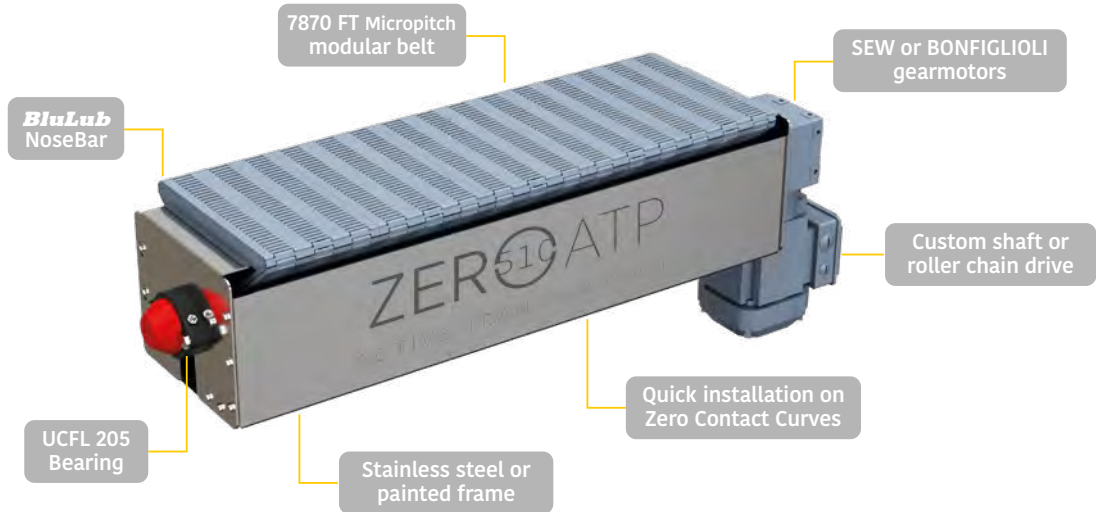
Product Overview



Movex[®]
OFFICIAL UK PARTNER

ZER⁵¹⁰ATP

ACTIVE TRANSFER PLATE

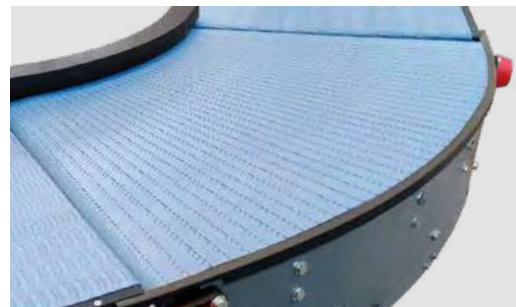


The **Zero ATP** is the perfect solution for small and light products, which hardly slide on standard solution. With the Active Transfer Plate Movex helps reducing downtimes and improving efficiency.

Zero ATP is a complete conveyor unit and supplied connected to the **Zero Contact**™ curve independently, so speed can be different than the curve itself, so able to accelerate or decelerate carried products.

Zero ATP Active Transfer Plates are equipped with Movex 7870 FT micropitch belt.

A tensioning system is included.



Main features

- 8mm pitch, 3mm nose radius
- Available length 250mm and 500mm
- Tem. Range: -5°C ÷ 45°C non condensing
- Connectable to Zero Contact curves



DIFFERENT BELT SURFACE AVAILABLE ON REQUEST

For different configurations and 7870 modular belt surface (Flush grid, Diamond top, Cone top, Non slip), please contact your sales representative.

Zero ATP for Zero Contact - Zero Contact Flat Edge - Zero Contact Hygienic

Module length 250mm

Article Nr.	Curve Width - mm	Micropitch Width - mm
W02L10ATP	200	228,6
W04L10ATP	400	381
W06L10ATP	600	609,6
W08L10ATP	800	838,2
W10L10ATP	1000	990,6
W12L10ATP	1200	1219,2
W14L10ATP	1400	1447,8
W16L10ATP	1600	1600,2

Module length 500mm

Article Nr.	Curve Width - mm	Micropitch Width - mm
W02L20ATP	200	228,6
W04L20ATP	400	381
W06L20ATP	600	609,6
W08L20ATP	800	838,2
W10L20ATP	1000	990,6
W12L20ATP	1200	1219,2
W14L20ATP	1400	1447,8
W16L20ATP	1600	1600,2

Longer Zero ATP available on request

Zero ATP for Zero Contact PRO

Module length 250mm

Article Nr.	Curve Width - mm	Micropitch Width - mm
W91L10ATP	249	228,6
W92L10ATP	269	228,6
W93L10ATP	419	381
W94L10ATP	439	457,2
W95L10ATP	504	533,4
W96L10ATP	524	533,4
W97L10ATP	864	838,2
W98L10ATP	1034	990,6

Module length 500mm

Article Nr.	Curve Width - mm	Micropitch Width - mm
W91L20ATP	249	228,6
W92L20ATP	269	228,6
W93L20ATP	419	381
W94L20ATP	439	457,2
W95L20ATP	504	533,4
W96L20ATP	524	533,4
W97L20ATP	864	838,2
W98L20ATP	1034	990,6

Longer Zero ATP available on request

Zero ATP for Zero Contact S

Module length 250mm

Article Nr.	Curve Width - mm	Micropitch Width - mm
W02L10ATPS	200	228,6
W04L10ATPS	400	381
W06L10ATPS	600	609,6
W08L10ATPS	800	838,2
W10L10ATPS	1000	990,6
W12L10ATPS	1200	1219,2
W14L10ATPS	1400	1447,8
W16L10ATPS	1600	1600,2

Module length 500mm

Article Nr.	Curve Width - mm	Micropitch Width - mm
W02L20ATPS	200	228,6
W04L20ATPS	400	381
W06L20ATPS	600	609,6
W08L20ATPS	800	838,2
W10L20ATPS	1000	990,6
W12L20ATPS	1200	1219,2
W14L20ATPS	1400	1447,8
W16L20ATPS	1600	1600,2

Longer Zero ATP available on request

SEW Gearmotor

- Foodgrade oil
- Power 0,18kW



Article Nr.	Power
MDT-1600	0,18kW

BONFIGLIOLI Gearmotor

- Power 0,18kW



Article Nr.	Power
MDTL-1600	0,18kW

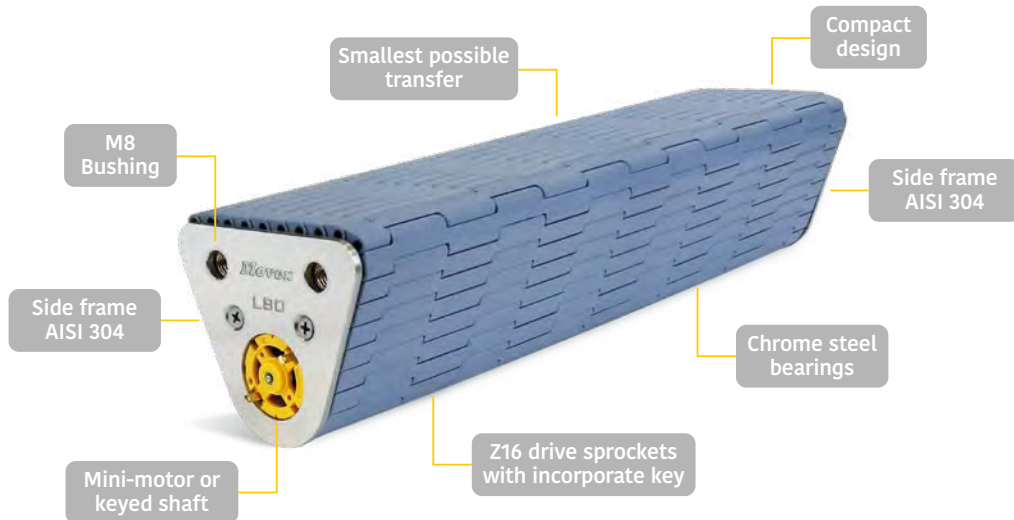
For different gearmotors please contact your sales representative.

SEW and BONFIGLIOLI are believed to be the trademarks and/or trade names of their respective owners and are not owned or controlled by Movex S.p.A.

100%
GUARANTEED
TRANSFER!

ZERO^{PRO} ATP[®]

ACTIVE TRANSFER PLATE



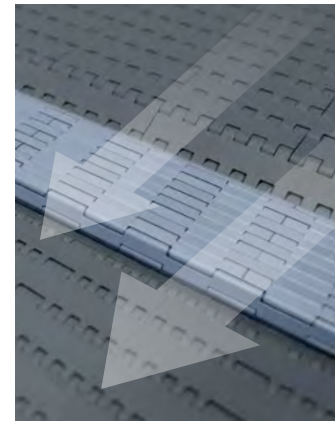
Product use

Zero ATP Pro[®] equipped with micro-pitch 7870 modular belt series, is the smallest Active Transfer Plate available on the market.

With its revolutionary compact shape, Zero ATP Pro[®] is the right choice to connect different conveyors, guaranteeing a smooth product transfer, that can be easily integrated into existing lines by replacing traditional transfers, with limited structural work.

Zero ATP Pro[®] can be provided with mini-motor or key shaft for a roller chain drive and it's a maintenance and tensioning free system.

DIFFERENT BELT SURFACE AVAILABLE ON REQUEST



BELT SERIES 7870 FT

BELT WIDTH 6in ÷ 24in (152,4mm ÷ 609,6mm)

BELT DIMENSIONS Pitch 8mm Thickness 6mm

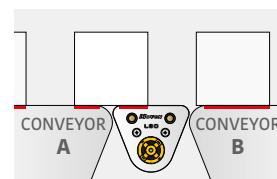
MATERIAL OF MODULES LFA, MX and LFB

TRANSFER LENGTH 80mm or 150mm

TRANSMISSION Mini motor or Keyed shaft

MAX. WORKING LOAD 3.000 N/m belt width

SIMULTANEOUS TRANSPORT OF:



LIGHTWEIGHT & SMALL GOODS



HIGH LOAD & BIG GOODS

Plug-in & Play solution | Maintenance free | Self-tensioning

For different configurations and 7870 modular belt surface (Flush grid, Diamond top, Cone top, Non slip), please contact your sales representative.

Zero ATP Pro® Mini motor version



Mini-motor version

Includes a mini-motor assembled at the inside of the module.

Optional cover for motor connection

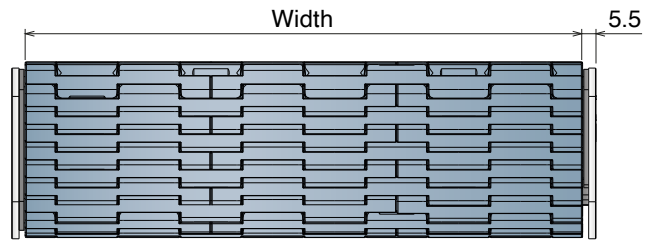
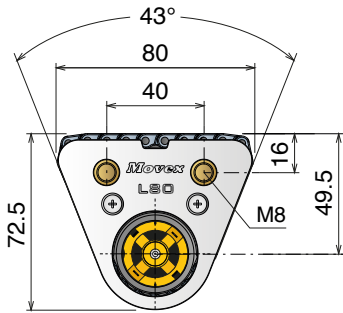
Article-Nr. 300601

Mini-motor features:

Supply voltage 6-15 V dc | Power Rating 7.85W

Max Torque 6539 g.cm.

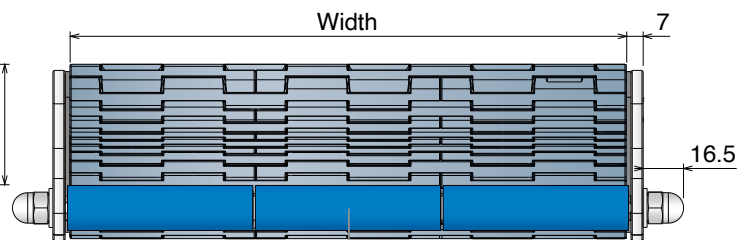
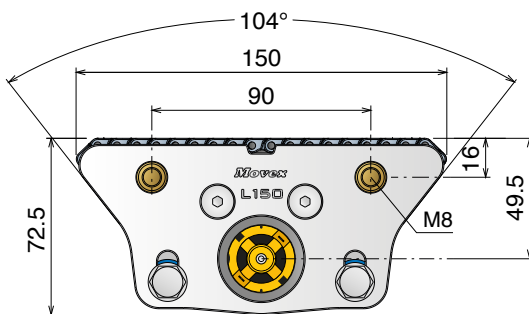
Transfer length 80mm



Series	Material	Width	Version
5336	*	0006	A
5336	*	0009	A
5336	*	0012	A
5336	*	0015	A
5336	*	0018	A
5336	*	0021	A
5336	*	0024	A

* Material			
LFA - Code 01	MX - Code 03	LFB - Code 23	
<i>Low friction Acetal</i>	<i>Performance PBT</i>	<i>Low friction Acetal</i>	
Max w. load: 3000 N	Max w. load: 2700 N	Max w. load: 3000 N	
Weight: 5,8 kg/m ²	Weight: 5,5 kg/m ²	Weight: 5,8 kg/m ²	
Temp. range: -5+45 °C non condensing	Temp. range: -5+45 °C non condensing	Temp. range: -5+45 °C non condensing	
Pin material: PBT white	Pin material: POM grey	Pin material: PBT white	

Transfer length 150mm



Soft roller - SEBS rubber

Series	Material	Width	Version
5338	*	0006	A
5338	*	0009	A
5338	*	0012	A
5338	*	0015	A
5338	*	0018	A
5338	*	0021	A
5338	*	0024	A

* Material			
LFA - Code 01	MX - Code 03	LFB - Code 23	
<i>Low friction Acetal</i>	<i>Performance PBT</i>	<i>Low friction Acetal</i>	
Max w. load: 3000 N	Max w. load: 2700 N	Max w. load: 3000 N	
Weight: 5,8 kg/m ²	Weight: 5,5 kg/m ²	Weight: 5,8 kg/m ²	
Temp. range: -5+45 °C non condensing	Temp. range: -5+45 °C non condensing	Temp. range: -5+45 °C non condensing	
Pin material: PBT white	Pin material: POM grey	Pin material: PBT white	

For different configurations and 7870 modular belt surface (Flush grid, Diamond top, Cone top, Non slip), please contact your sales representative.



Movex
OFFICIAL UK PARTNER

Oadby Conveyors

Oadby Conveyors
68 Scudamore Road
Braunstone Frith Ind. Est.
Leicester
LE3 1UA

0116 232 4848
convteam@oadbyplastics.co.uk

Head Office

Oadby Plastics Ltd
68 Scudamore Road
Braunstone Frith Ind. Est.
Leicester
LE3 1UA

0116 232 1010
sales@oadbyplastics.co.uk

For further information and specification details please visit our comprehensive website. Due to a policy of continual product development, Oadby Conveyors reserves the right to alter any of the specifications given in the publication without prior notice. The specification must be checked with Oadby Conveyors prior to manufacture. For this reason no responsibility or liability for accuracy is accepted by Oadby Conveyors.

Company registration No. 03542957 | www.oadbyconveyors.co.uk



Certificate Number 8147
ISO 9001, ISO 14001