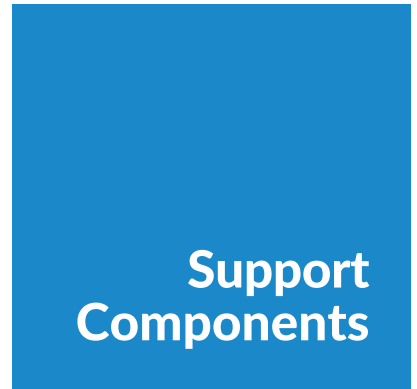
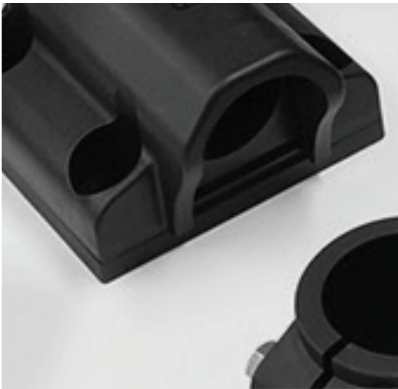
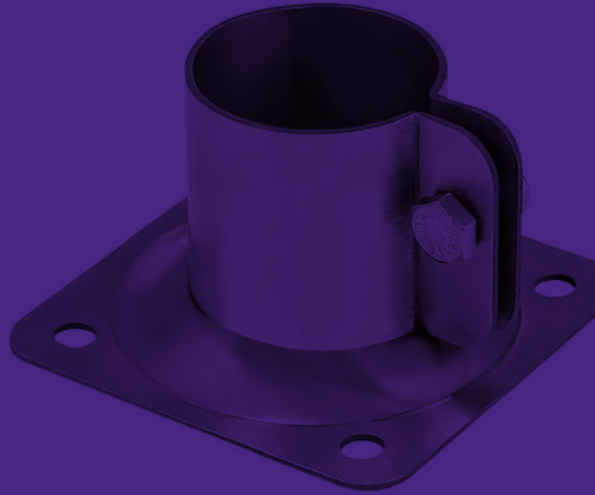


Product Overview



Movex[®]
OFFICIAL UK PARTNER



401 Page 580	402 Page 580	403 Page 581	404 Page 581	407 Page 582	408 Page 582
409 Page 583	499 Page 583	410 Page 584	411 Page 584	426 Page 585	432 Page 585
427 Page 586	343 Page 586	425 Page 587	413 Page 587	433 Page 588	414 Page 588
419 Page 589	420 Page 589	415 Page 590	416 Page 591	428 Page 592	429 Page 592
430 Page 592	418 Page 593	421 Page 593	422 Page 594	423 Page 594	424 Page 594

401-402

Componenti di supporto / Conveyor support components / Stützelemente

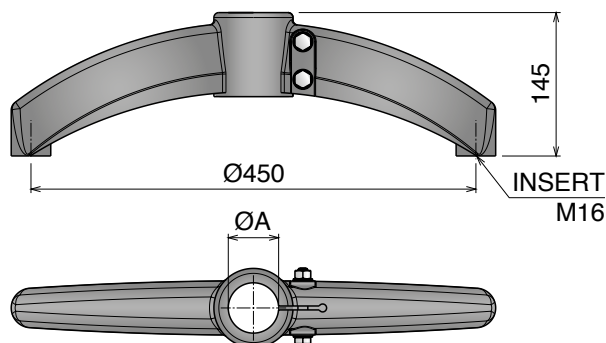
Materiale / Material / Materialien:

Basi: Poliammide/Base: Polyamide/Halter: Polyamid

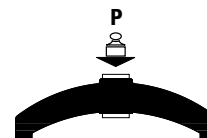
Viti e rondelle: Acciaio inox/Screws and washers: Stainless steel/Schrauben und Scheibe: Edelstahl
Inserti e dadi: ottone nichelato/Inserts nuts: nickel plated brass/Mutter: Messing vernickelt

401 Base a due braccia Bipod / Zweibeinhalter

Delivery: **Easy** **Standard** Fasteners included | Max recommended tightening torque: 25 N mt



Part	Article-Nr.	ØA
401	40101	48,3
401	40105	50,9
401	40102	60,3



Tube sliding load resistance

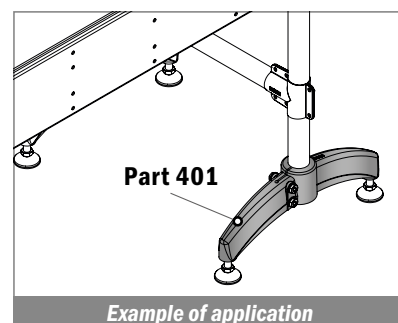
$P = 8000 \text{ N}$

Max applicable load

$P = 9600 \text{ N}$

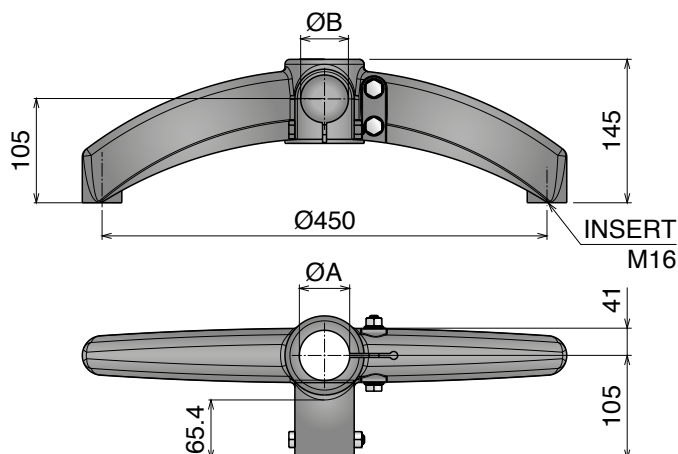
Bolts tightening torque

25 N.m

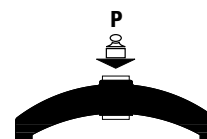


402 Base a due braccia 180° con giunto Bipod 180° with connector / Zweibeinhalter 180° m. Verbinder

Delivery: **Easy** **Standard** Fasteners included | Max recommended tightening torque: 25 N mt



Part	Article-Nr.	ØA	ØB
402	40201	48,3	48,3
402	40205	50,9	48,3
402	40202	60,3	48,3
402	40203	48,3	42,4
402	40206	50,9	42,4
402	40204	60,3	42,4



Tube sliding load resistance

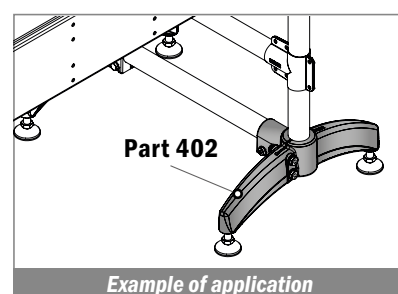
$P = 8000 \text{ N}$

Max applicable load

$P = 8000 \text{ N}$

Bolts tightening torque

25 N.m



Materiale / Material / Materialien:

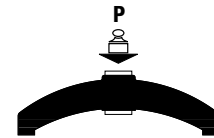
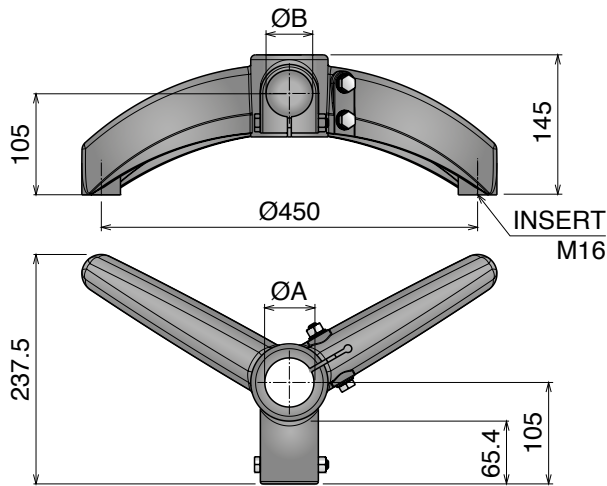
Basi: Poliammide/Base: Polyamide/Halter: Polyamid

Viti e rondelle: Acciaio inox/Screws and washers: Stainless steel/Schrauben und Scheibe: Edelstahl
 Inserti e dadi: ottone nichelato/Inserts nuts: nickel plated brass/Mutter: Messing vernickelt

403 Base a due braccia 120° con giunto Bipod 120° with connector / Zweibeinhalter 120° m. Verbinder

Delivery: **Easy** **Standard** Fasteners included | Max recommended tightening torque: 25 N mt

Part	Article-Nr.	ØA	ØB
403	40301	48,3	48,3
403	40305	50,9	48,3
403	40302	60,3	48,3
403	40303	48,3	42,4
403	40306	50,9	42,4
403	40304	60,3	42,4



Tube sliding load resistance

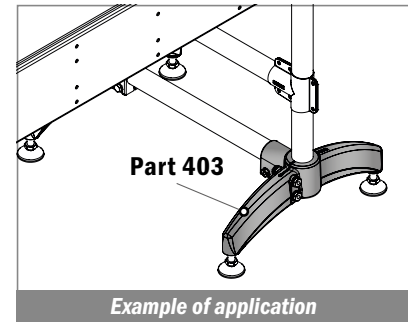
$P = 8000\text{ N}$

Max applicable load

$P = 8000\text{ N}$

Bolts tightening torque

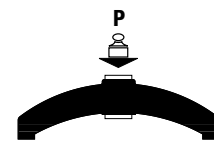
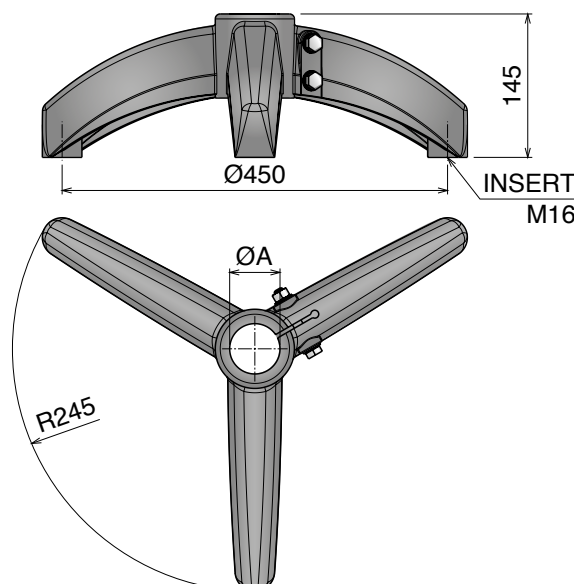
25 N.m



404 Base a tre braccia Tripod / Dreibeinhalter

Delivery: **Easy** **Standard** Fasteners included | Max recommended tightening torque: 25 N mt

Part	Article-Nr.	ØA
404	40401	48,3
404	40405	50,9
404	40402	60,3



Tube sliding load resistance

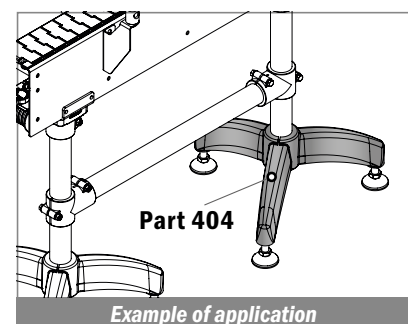
$P = 8000\text{ N}$

Max applicable load

$P = 10000\text{ N}$

Bolts tightening torque

25 N.m



407-408

Componenti di supporto / Conveyor support components / Stützelemente

Materiale / Material / Materialien:

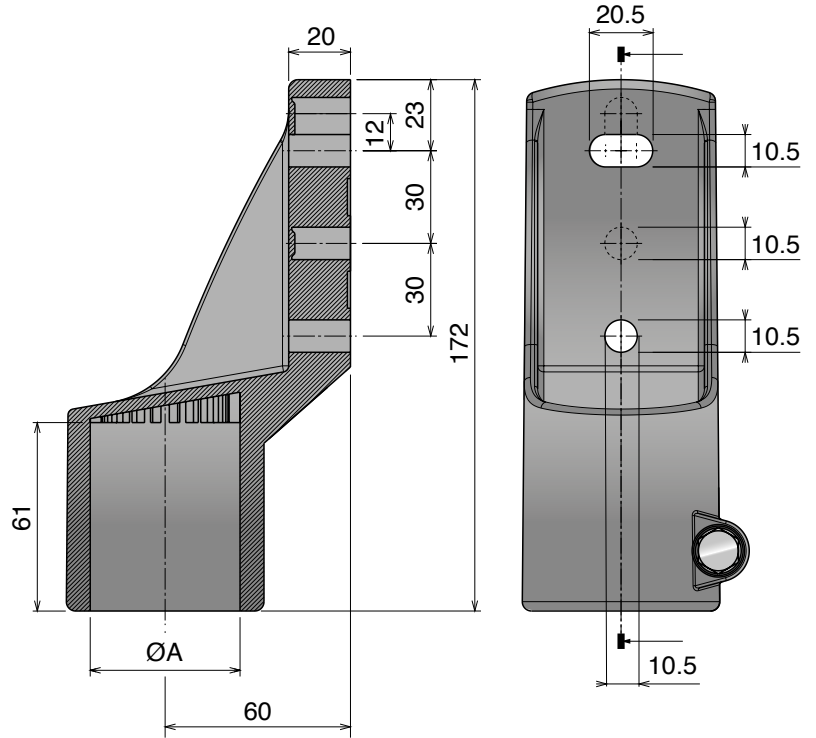
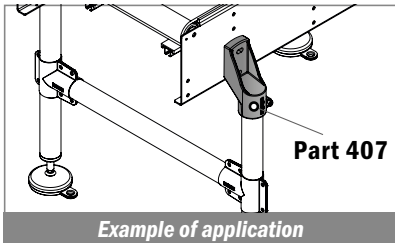
Testata: Poliammide / Side bracket: Polyamide / Halter: Polyamid

Viti e rondelle: Acciaio inox / Screws and washers: Stainless steel / Schrauben und Scheibe: Edelstahl
Dadi: ottone nichelato / Nuts: nickel plated brass / Mutter: Messing vernickelt

407 Testata laterale Side mounting top bracket / seitlicher Stützkopf

Delivery: **Easy** **Standard** Max recommended tightening torque: 20 N mt

Part	Article-Nr.	ØA
407	40701	48,3
407	40702	50,9

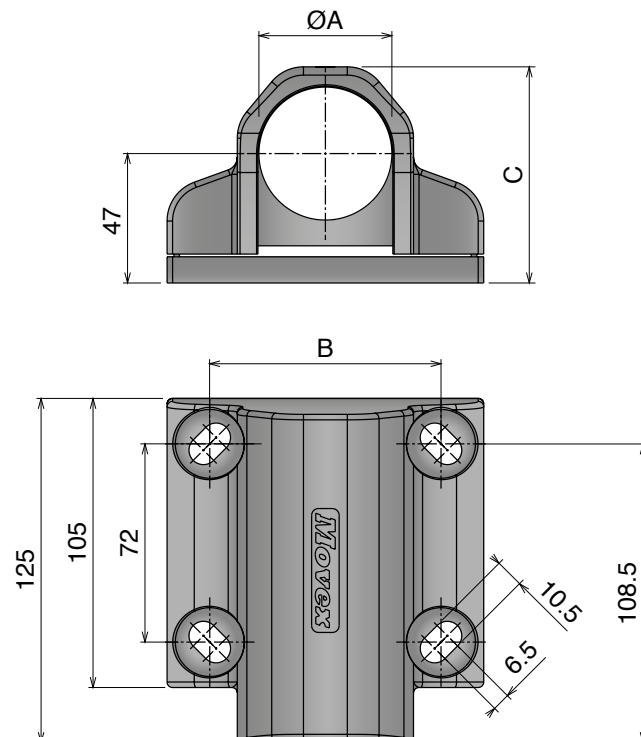
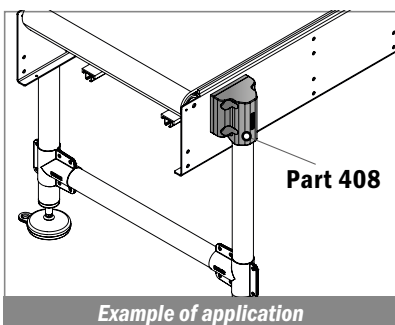


408 Testata laterale Side mounting top bracket / seitlicher Stützkopf

Delivery: **Easy** **Standard** Fasteners not included | Max recommended tightening torque: 25 N mt

RANGE EXTENSION

Part	Article-Nr.	ØA	B	C
408	40801	48,3	84	78,5
408	40802	50,9	100	84,8
408	40803	60,3	100	84,8



Materiale / Material / Materialien:

Testata: Acciaio inox / Support head: stainless steel / Halter: Edelstahl
 Viti e rondelle: Acciaio inox / Screws and washers: Stainless steel / Mutter: Edelstahl

409-499

Componenti di supporto / Conveyor support components / Stützelemente

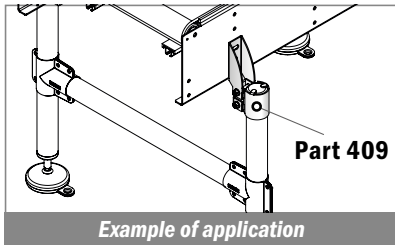
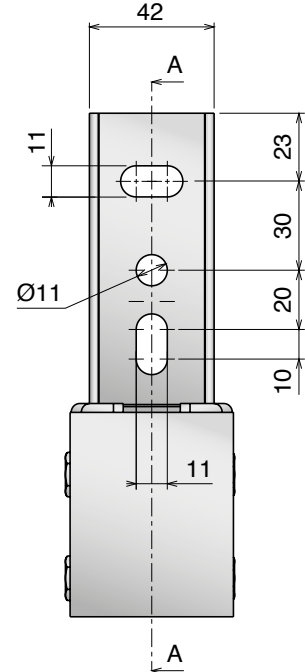
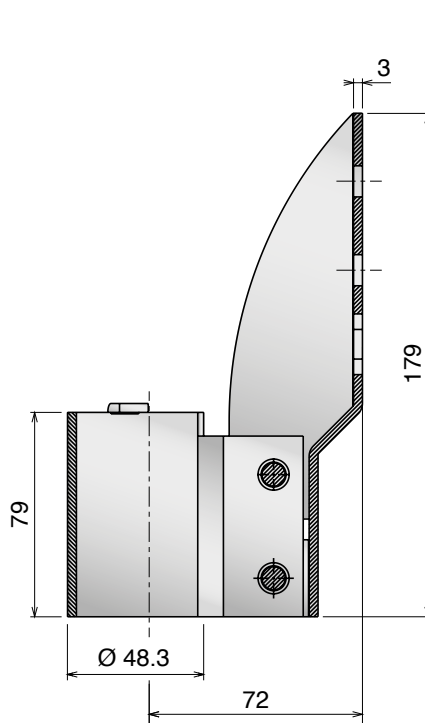
409 Testata laterale
 Side mounting top bracket / seitlicher Stützkopf

Stainless Steel | AISI 304

Delivery: **Easy** **Standard** Fasteners not included

Part Article-Nr.

409 40901



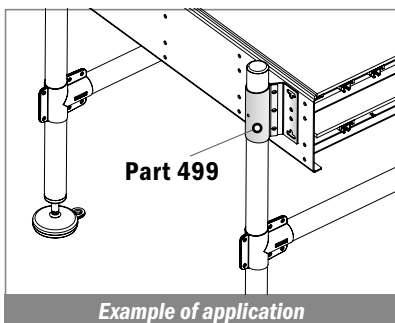
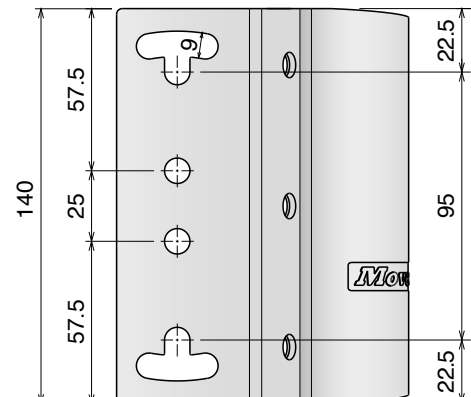
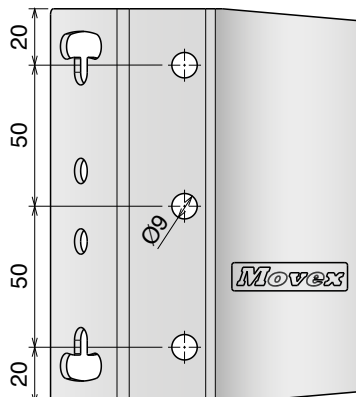
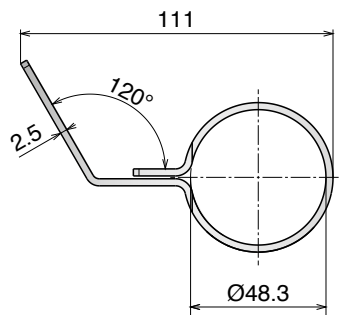
499 Testata laterale
 Side mounting top bracket / seitlicher Stützkopf

Stainless Steel | AISI 304

Delivery: **Easy** **Standard** Fasteners not included

Part Article-Nr.

499 49995



410-411

Componenti di supporto / Conveyor support components / Stützelemente

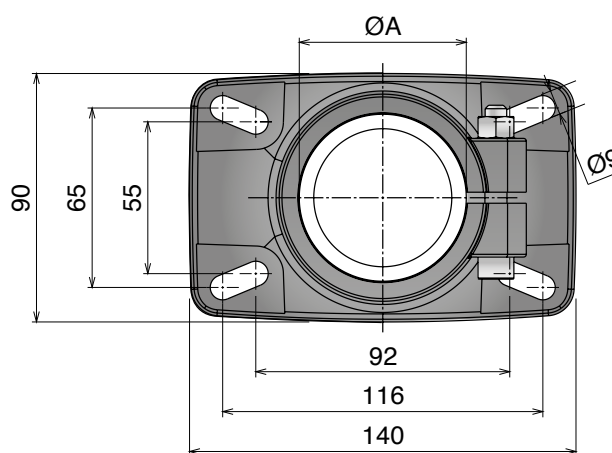
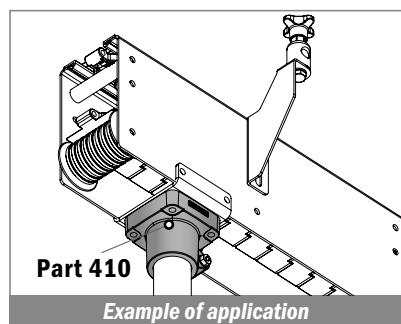
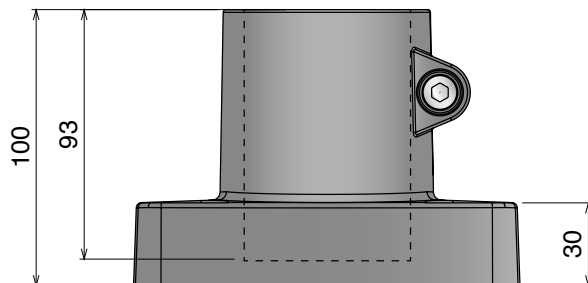
Materiale / Material / Materialien:

Testata: Poliammide / Support head: Polyamide / Halter: Polyamid
 Viti e rondelle e dado: Acciaio inox / Screws, washers and nut:
 Stainless steel / Schrauben, Scheibe und Mutter: Edelstahl

410 Testata d'appoggio Support head / Stützkopf

Delivery: **Easy** **Standard** Max recommended tightening torque: 20 N mt

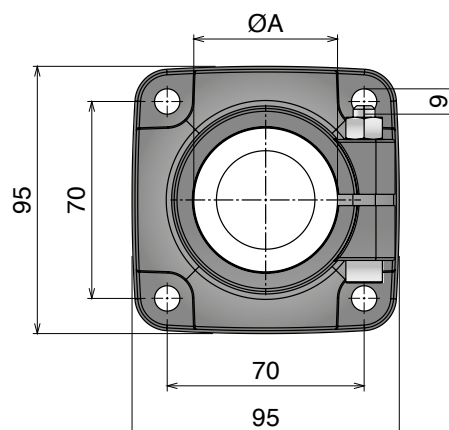
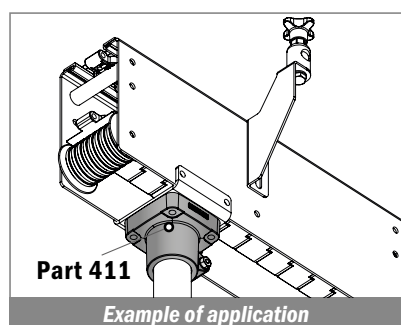
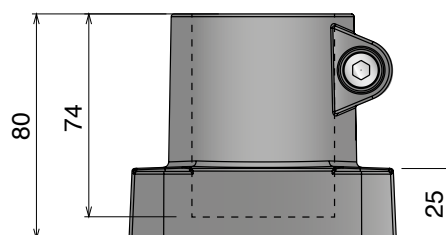
Part	Article-Nr.	ØA
410	41001	48,3
410	41002	60,3



411 Testata d'appoggio Support head / Stützkopf

Delivery: **Easy** **Standard** Max recommended tightening torque: 20 N mt

Part	Article-Nr.	ØA
411	41101	48,3
411	41102	50,9



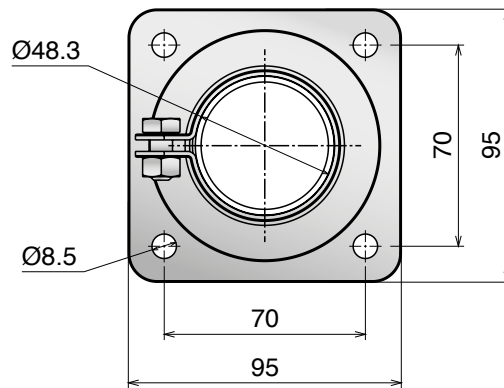
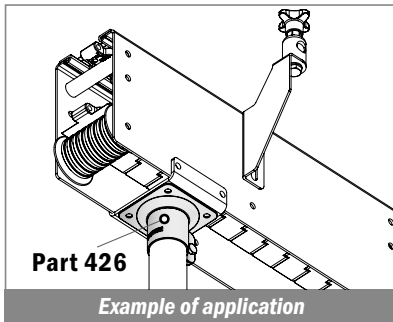
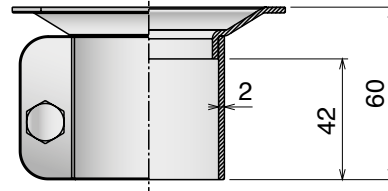
426 Testata d'appoggio Support head / Stützkopf

Stainless Steel | AISI 304

Screw included

Part Article-Nr.

426 42601



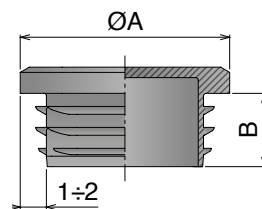
432 Tappo per tubo metrico tondo e quadro Plug for round and square metric tube / Runde und Quadratische Lamellenstopfen für metrische Rohre

RANGE EXTENSION

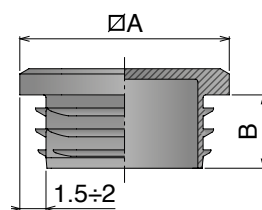
Delivery: **Easy** Standard

Part	Article-Nr.	ØA	B	Type
432	43202	20	11	A
432	43203	25	14	A
432	43204	30	14	A
432	43205	35	14	A
432	43206	40	14	A
432	43201	48	14	A
432	43207	50	17	A

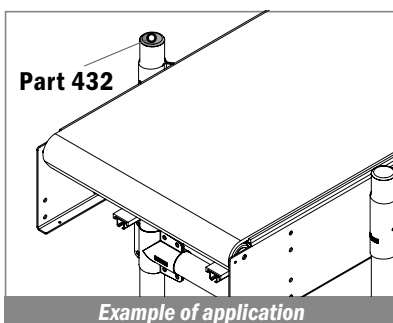
Part	Article-Nr.	∇A	B	Type
432	43252	20 x 20	11	B
432	43253	25 x 25	14	B
432	43254	30 x 30	14	B
432	43255	35 x 35	14	B
432	43256	40 x 40	14	B
432	43251	50 x 50	14	B
432	43257	60 x 60	14	B



TYPE A - Rounded



TYPE B - Square

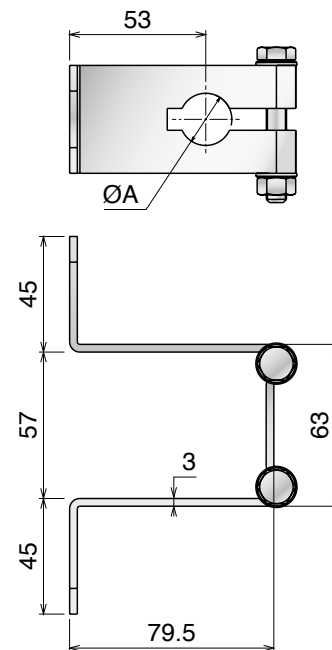
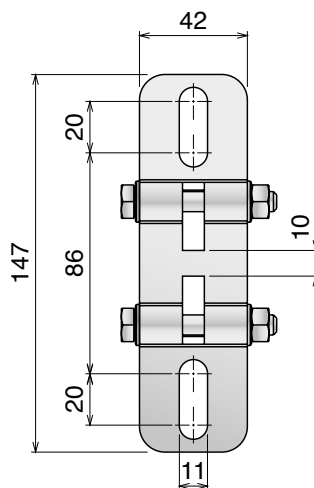
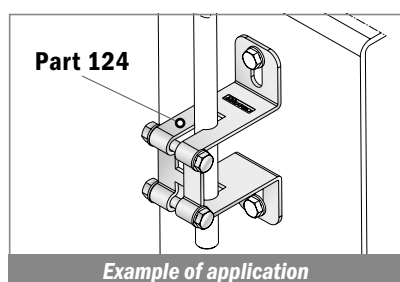


427 Supporto laterale Side bracket / Seitenhalter

Stainless Steel | AISI 304

Delivery: **Easy** Standard

Part	Article-Nr.	ØA
427	42701	16
427	42702	20

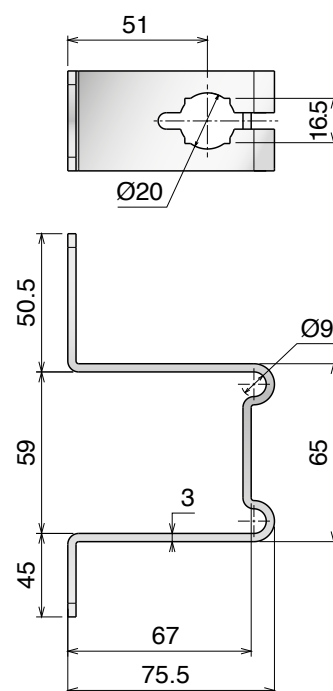
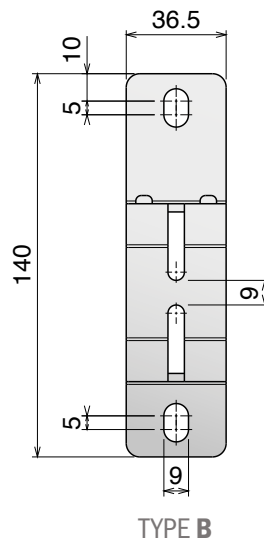
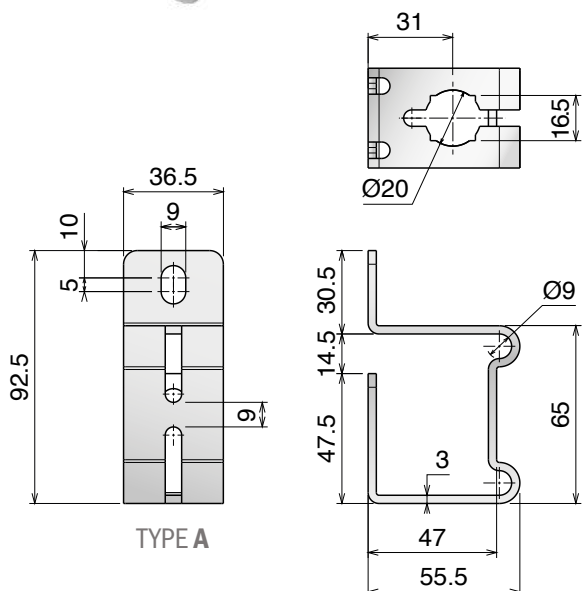


343 Supporto laterale Side bracket / Seitenhalter

Stainless Steel | AISI 304

Delivery: **Easy** Standard

Part	Article-Nr.	Type
343	34301	A
343	34302	B



Materiale / Material / Materialien:

Giunto: Poliammide / Joint: Polyamide / Verbinder: Polyamid

Viti e rondelle: Acciaio inox / Screws and washers: Stainless steel / Schrauben und Scheibe: Edelstahl
 Inserti e dadi: Acciaio inox / Inserts nuts: Stainless steel / Mutter: Edelstahl

425-413

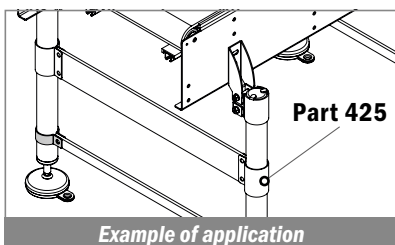
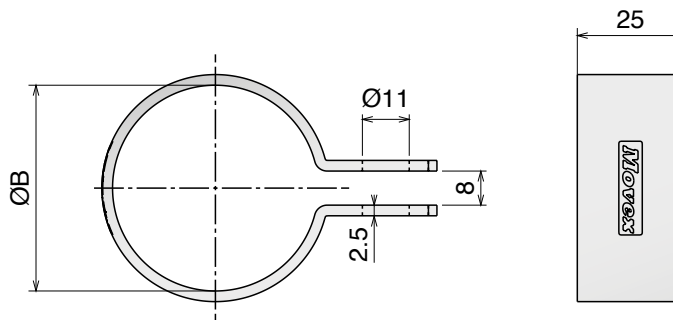
Componenti di supporto / Conveyor support components / Stützelemente

425 Morsetto a collare (acciaio inox) Clamp collar (SS) / Klemmschelle (Edelstahl)

Stainless Steel | AISI 304

Delivery: **Easy** Standard

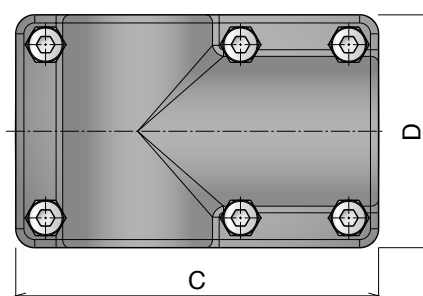
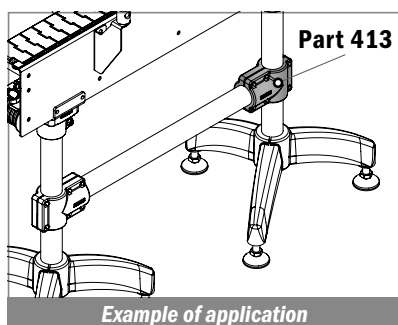
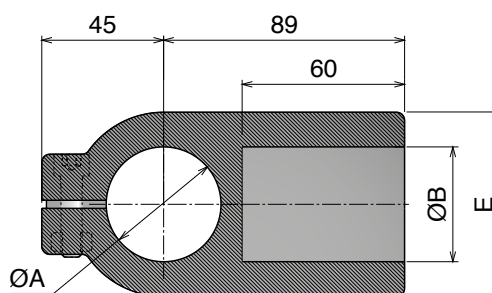
Part	Article-Nr.	A	ØB
425	42501	25	48,3
425	42511	25	50,8



413 Giunto di collegamento Connecting joint / Verbindungselement

Delivery: **Easy** Standard Max recommended tightening torque: 15 N mt

Part	Article-Nr.	ØA	ØB	C	D	E
413	41301	48,3	48,3	134	86	68
413	41304	50,9	50,9	134	86	68
413	41302	60,3	48,3	146	98	80
413	41303	60,3	60,3	146	98	80



433-414

Componenti di supporto / Conveyor support components / Stützelemente

Materiale / Material / Materialien:

Giunto: Poliammide / Joint: Polyamide / Verbinder: Polyamid

Viti e rondelle: Acciaio inox / Screws and washers: Stainless steel / Schrauben und Scheibe: Edelstahl

Inserti e dadi: Acciaio inox / Inserts nuts: Stainless steel / Mutter: Edelstahl

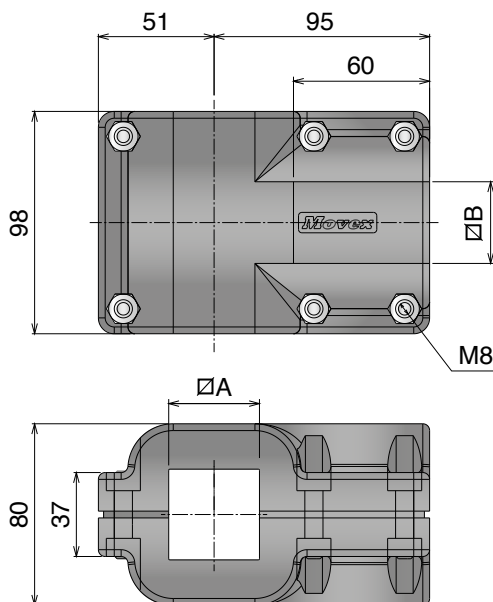
433

Giunto di collegamento per tubi quadri

Connecting joint for square tubes / Verbindungselement für vierkant Rohre

NEW DESIGN

Delivery: **Easy** Standard



Part	Article-Nr.	ØA	ØB
433	43301	30	30
433	43302	40	40
433	43303	45	45
433	43304	50	50

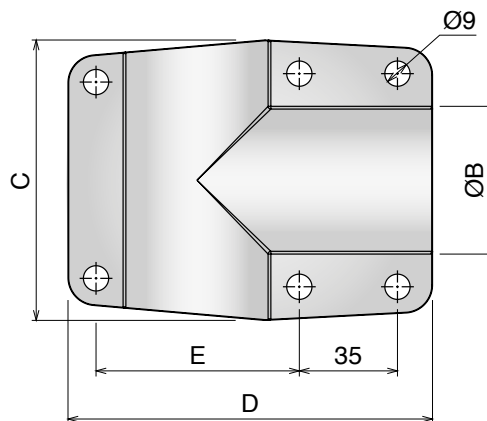
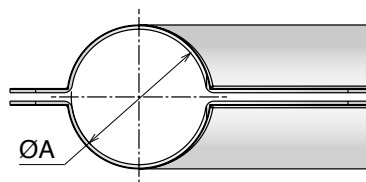
414

Giunto di collegamento (acciaio inox)

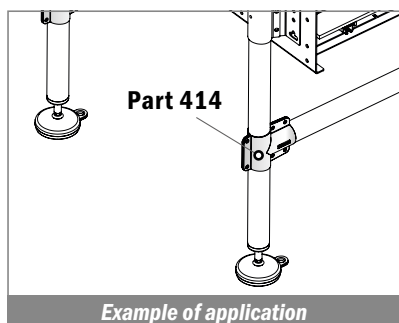
Connecting joint (SS) / Verbindungselement (Edelstahl)

Stainless Steel | AISI 304

Delivery: **Easy** Standard Max recommended tightening torque: 25 N mt



Part	Article-Nr.	ØA	ØB	C	D	E
414	41401	48,3	48,3	100	130	72,5
414	41402	60,3	60,3	110	150	92,5



Materiale / Material / Materialien:

Tappo: Poliammide / Plug: Polyamide / Stopfen: Polyamid

Inseri: PA o Ottone / Inserts: PA or Brass

Einsatz: PA oder Messing

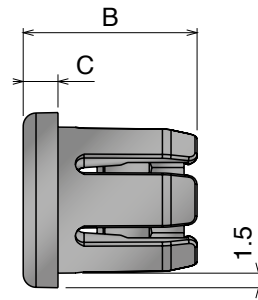
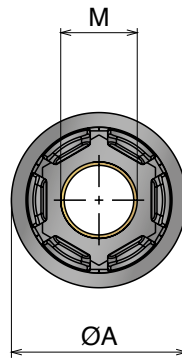
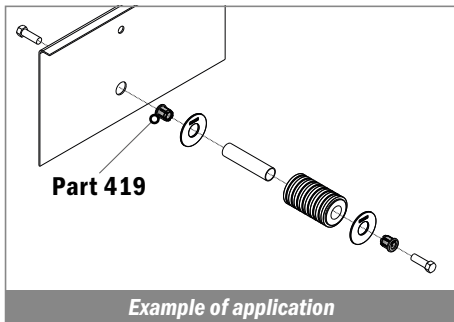
419 Tappi ad espansione Expansions plugs / Gewindezapfen, Spreizbar

Delivery: **Easy** Standard



**Brass insert
High Strength**

Part	Article-Nr.		ØA	B	C	M
	Brass Bush	PA Bush				
419	41907	-	20	19	3	M8
419	41908	-	20	19	3	M10
419	41901	-	20	20	4	M8
419	41902	-	20	20	4	M10
419	41903	41913	38	40	5	M8
419	41904	41914	38	40	5	M10
419	41905	41915	42,4	40	5	M8
419	41906	41916	42,4	40	5	M10



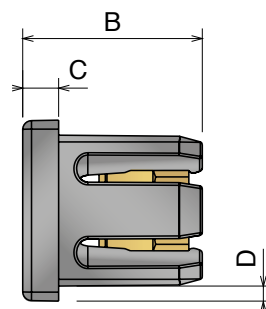
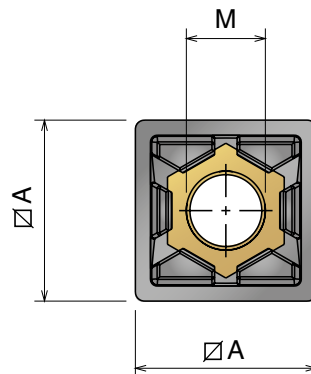
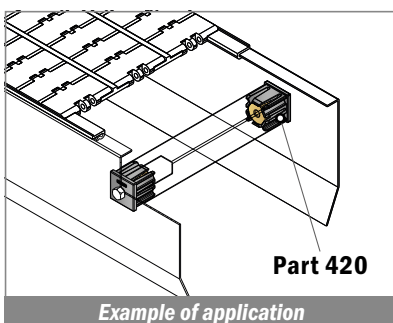
420 Tappi ad espansione Expansions plugs / Gewindezapfen, Spreizbar

Delivery: **Easy** Standard



**Brass insert
High Strength**

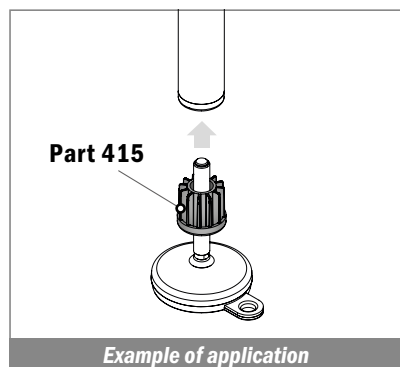
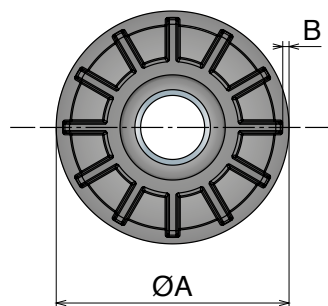
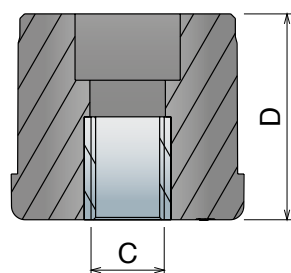
Part	Article-Nr.		ØA	B	C	D	M
	Brass Bush	PA Bush					
420	42001	-	20	20	4	1,5	M8
420	42002	-	20	20	4	1,5	M10
420	42003	-	20	20	4	2	M8
420	42004	-	20	20	4	2	M10
420	42005	42015	40	40	5	2	M8
420	42006	42016	40	40	5	2	M10



415 Tappi tondi filettati Threaded bushings for round tubes / Gewindezapfen f. Rund-Rohr

RANGE EXTENSION

Delivery: **Easy** Standard



Part	Art.-Nr.	ØA	B	C	D
415	415001	20	2	M8	23
415	415002			M8	26
415	415003	25	2	M10	26
415	415004			M12	26
415	41507			M10	33
415	41508	30	1	M12	33
415	41509			M14	33
415	41510			M16	33
415	41511			M10	33
415	41512	30	1,5	M12	33
415	41513			M14	33
415	41514			M16	33
415	41515			M10	33
415	41516	30	2	M12	33
415	41517			M14	33
415	41518			M16	33
415	41519			M10	33
415	41520	30	2,5	M12	33
415	41521			M14	33
415	41522			M16	33
415	41523			M10	40
415	41524	38	1,5	M12	40
415	41525			M14	40
415	41526			M16	40
415	41527			M10	40
415	41528	38	2	M12	40
415	41529			M14	40
415	41530			M16	40
415	41531			M10	40
415	41532	38	2,5	M12	40
415	41533			M14	40
415	41534			M16	40
415	415005			M8	40
415	415006			M10	40
415	415007	40	3	M12	40
415	415008			M14	40
415	415009			M16	40
415	41535			M10	43
415	41536			M12	43
415	41537	42,4	1,5	M14	43
415	41538			M16	43
415	41539			M20	43
415	41540			M10	43
415	41541			M12	43
415	41542	42,4	2	M14	43
415	41543			M16	43
415	41544			M20	43
415	41545			M10	43
415	41546			M12	43
415	41547	42,4	2,5	M14	43
415	41548			M16	43
415	41549			M20	43
415	415010			M10	38
415	415011			M12	38
415	415012	45	3	M14	38
415	415013			M16	38
415	415014			M20	38

Part	Art.-Nr.	ØA	B	C	D
415	41550			M10	48
415	41551			M12	48
415	41552	48,3	1,5	M14	48
415	41501			M16	48
415	41502			M20	48
415	41553			M10	55
415	41554			M12	55
415	41555	48,3	2	M14	55
415	41556			M16	55
415	41557			M20	55
415	41558			M10	45
415	41559			M12	45
415	41560	48,3	2,5	M14	45
415	41561			M16	45
415	41562			M20	45
415	41563			M10	45
415	41564			M12	45
415	41565	50	1,5	M14	45
415	41503			M16	45
415	41504			M20	45
415	415015			M10	45
415	415016			M12	45
415	415017	50	3	M14	45
415	415018			M16	45
415	415019			M20	45
415	41566			M10	50
415	41567			M12	50
415	41568	50,9	1,5	M14	50
415	41569			M16	50
415	41570			M20	50
415	41571			M10	45
415	41572			M12	45
415	41573	50,9	2	M14	45
415	41574			M16	45
415	41575			M20	45
415	41576			M10	45
415	41577			M12	45
415	41578	50,9	2,5	M14	45
415	41579			M16	45
415	41580			M20	45
415	415020			M10	55
415	415021			M12	55
415	415022	60,3	1,2	M14	55
415	415023			M16	55
415	415024			M20	55
415	41581			M10	55
415	41582			M12	55
415	41583	60,3	1,5	M14	55
415	41584			M16	55
415	41585			M20	55
415	41586			M10	55
415	41587			M12	55
415	41588	60,3	2	M14	55
415	41505			M16	55
415	41506			M20	55
415	41589			M10	55
415	41590			M12	55
415	41591	60,3	2,5	M14	55
415	41592			M16	55
415	41593			M20	55

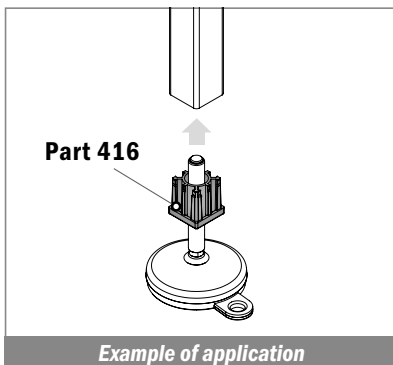
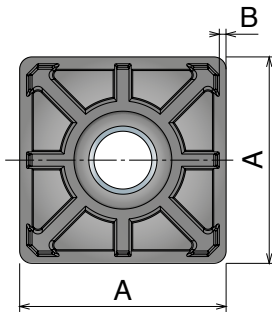
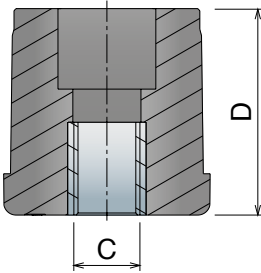
Componenti di supporto / Conveyor support components / Stützelemente

416 Tappi quadri filettati

Threaded bushings for square tubes / Gewindezapfen f. Vierkant-Rohr

RANGE EXTENSION

Delivery: **Easy** Standard



Part	Article-Nr.	A	B	C	D	Part	Article-Nr.	A	B	C	D
416	416001	20	1,5	M8	23	416	416003			M10	38
416	416002	20	2	M8	23	416	416004	45	3	M12	38
416	41601	25	1,5	M10	26	416	416005			M14	38
416	41602			M12	26	416	416006			M16	38
416	41611	30		M10	33	416	41648			M10	50
416	41603		1,5	M12	33	416	41649			M12	50
416	41612			M14	33	416	41650	50	1,2	M14	50
416	41604			M16	33	416	41651			M16	50
416	41613	30		M10	33	416	41652			M20	50
416	41614		2	M12	33	416	41653			M10	50
416	41615			M14	33	416	41654			M12	50
416	41616			M16	33	416	41655	50	1,5	M14	50
416	41617	35		M10	38	416	41656			M16	50
416	41618		1,5	M12	38	416	41657			M20	50
416	41619			M14	38	416	41658			M10	50
416	41620			M16	38	416	41659			M12	50
416	41621			M20	38	416	41660	50	2	M14	50
416	41622	35		M10	43	416	41609			M16	50
416	41623		2	M12	43	416	41610			M20	50
416	41624			M14	43	416	41661			M10	50
416	41625			M16	43	416	41662			M12	50
416	41626			M20	43	416	41663	50	2,5	M14	50
416	41681	38,1	1,6	M10	43	416	41664			M16	50
416	41682			M12	43	416	41665			M20	50
416	41683			M14	43	416	41666			M10	50
416	41684			M16	43	416	41667			M12	50
416	41685			M20	43	416	41668	50	3	M14	50
416	41686	38,1	3	M10	43	416	41669			M16	50
416	41687			M12	43	416	41670			M20	50
416	41688			M14	43	416	41671			M10	55
416	41689			M16	43	416	41672			M12	55
416	41690			M20	43	416	41673	60	2	M14	55
416	41627	40	1,2	M10	38	416	41674			M16	55
416	41628			M12	38	416	41675			M20	55
416	41629			M14	38	416	41676			M10	55
416	41630			M16	38	416	41677			M12	55
416	41631			M20	38	416	41678	60	3	M14	55
416	41632	40		M10	43	416	41679			M16	55
416	41605		1,5	M12	43	416	41680			M20	55
416	41633			M14	43	416	41608	80		M14	55
416	41606			M16	43	416	41609		3	M16	55
416	41634			M20	43	416	416010			M20	55
416	41635	40		M10	43						
416	41636		2	M12	43						
416	41637			M14	45						
416	41607			M16	45						
416	41608			M20	45						
416	41638	40	2,5	M10	38						
416	41639			M12	38						
416	41640			M14	38						
416	41641			M16	38						
416	41642			M20	38						
416	41643	45	2	M10	38						
416	41644			M12	38						
416	41645			M14	38						
416	41646			M16	38						
416	41647			M20	38						

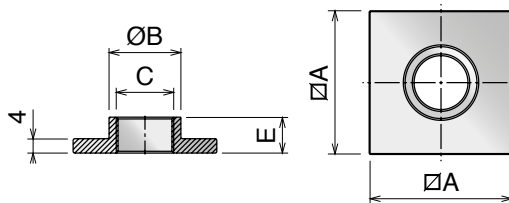
428 Tappi quadri filettati Threaded bushings for square tube / Gewindezapfen f. Vierkant-Rohr

Stainless Steel | AISI 304

Delivery: **Easy** Standard



Part	Article-Nr.	∅A	C	∅B	E
428	42801	40	M16	20	10
428	42802	40	M20	23	11,5
428	42803	45	M16	20	10
428	42804	45	M20	23	11,5
428	42805	50	M16	20	10
428	42806	50	M20	23	11,5
428	42807	60	M16	20	10
428	42808	60	M20	23	11,5



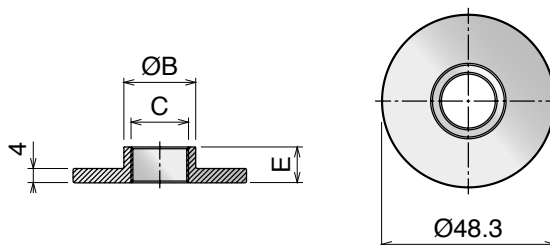
429 Tappi tondi filettati Threaded bushings for round tube / Gewindezapfen f. Rund-Rohr

Stainless Steel | AISI 304

Delivery: **Easy** Standard



Part	Article-Nr.	C	∅B	E
429	42901	M16	20	10
429	42902	M20	23	11,5



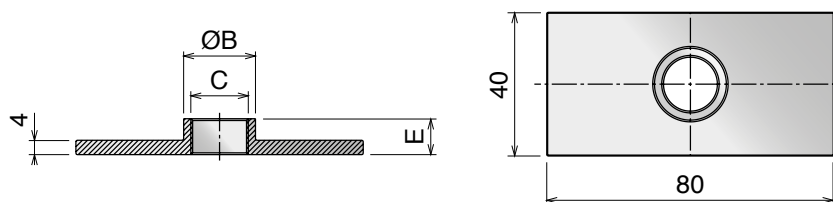
430 Tappi rettangolari filettati Threaded bushings for rectangular tube / Gewindezapfen f. Rechteck

Stainless Steel | AISI 304

Delivery: **Easy** Standard

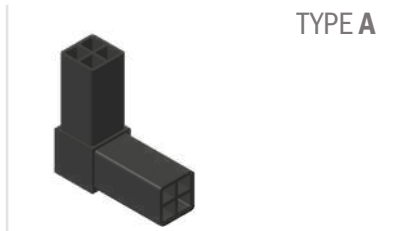


Part	Article-Nr.	C	∅B	E
430	43001	M16	20	10
430	43002	M20	23	11,5



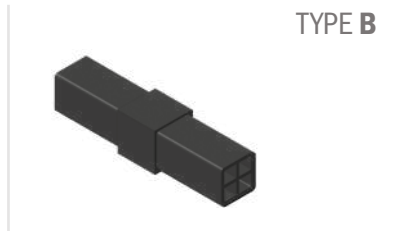
418 Giunto di collegamento Connecting joint / Verbindungselement

Delivery: **Easy** **Standard** For tubes 25 x 25 x 1.5 mm



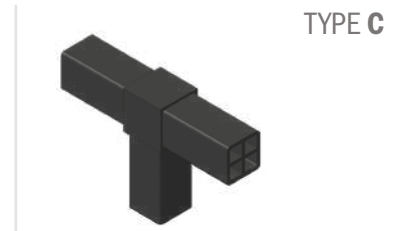
TYPE A

Part	Article-Nr.	Type
418	41801	A



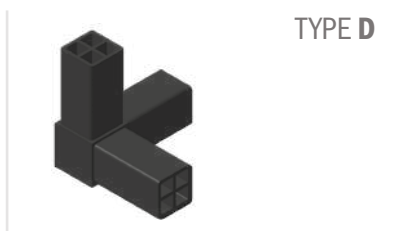
TYPE B

Part	Article-Nr.	Type
418	41802	B



TYPE C

Part	Article-Nr.	Type
418	41803	C



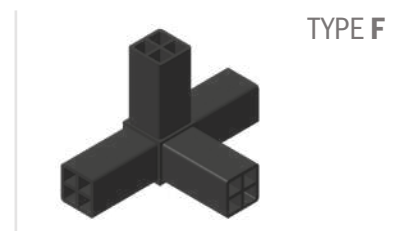
TYPE D

Part	Article-Nr.	Type
418	41804	D



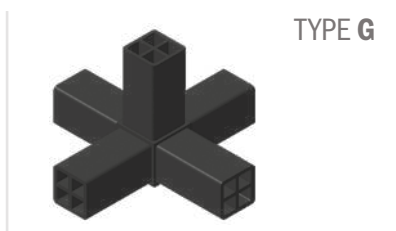
TYPE E

Part	Article-Nr.	Type
418	41805	E



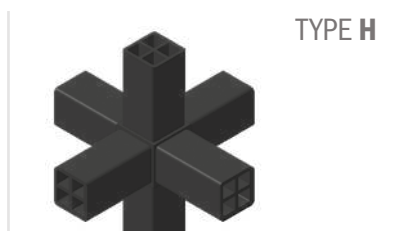
TYPE F

Part	Article-Nr.	Type
418	41806	F



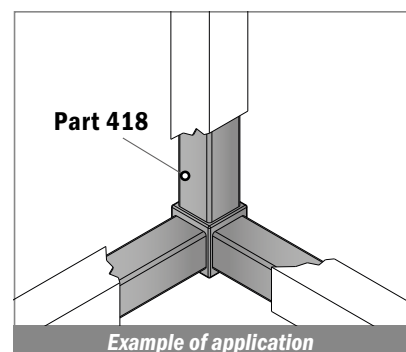
TYPE G

Part	Article-Nr.	Type
418	41807	G



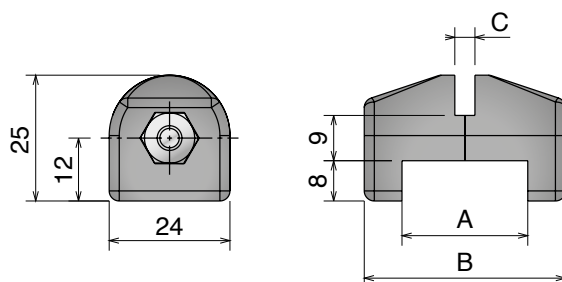
TYPE H

Part	Article-Nr.	Type
418	41808	H

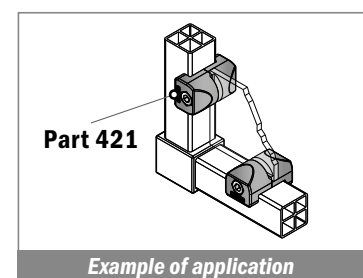


421 Blocco per pannelli Panel clamp / Panelklemme

Delivery: **Easy** **Standard**



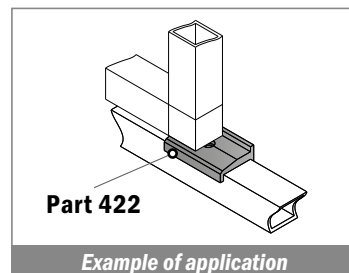
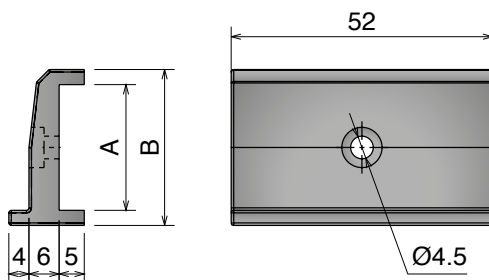
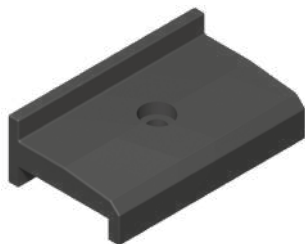
Part	Article-Nr.	A	B	C
421	42101	25	40	4
421	42102	25	40	5
421	42103	25	40	6
421	42104	30	45	4
421	42105	30	45	5
421	42106	30	45	6



422 Fermaporta Door stop / Türstopper

Delivery: **Easy** **Standard**

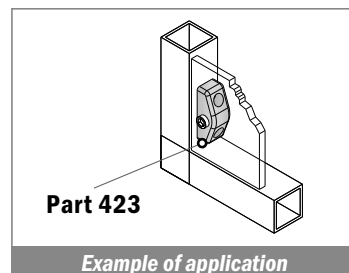
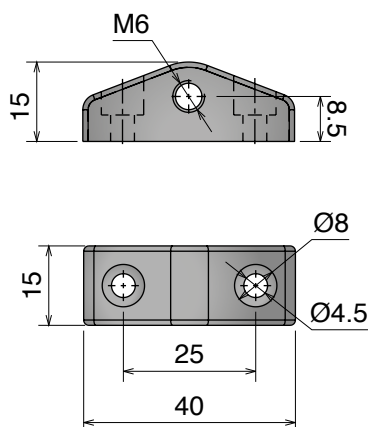
Part	Article-Nr.	A	B
422	42201	25	31



423 Blocchetto di fissaggio Fixing lock / Anschlag

Delivery: **Easy** **Standard**

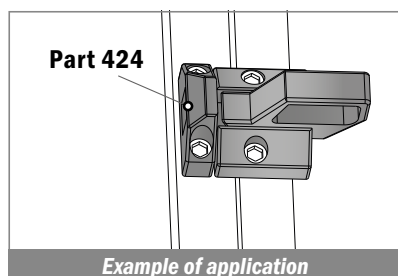
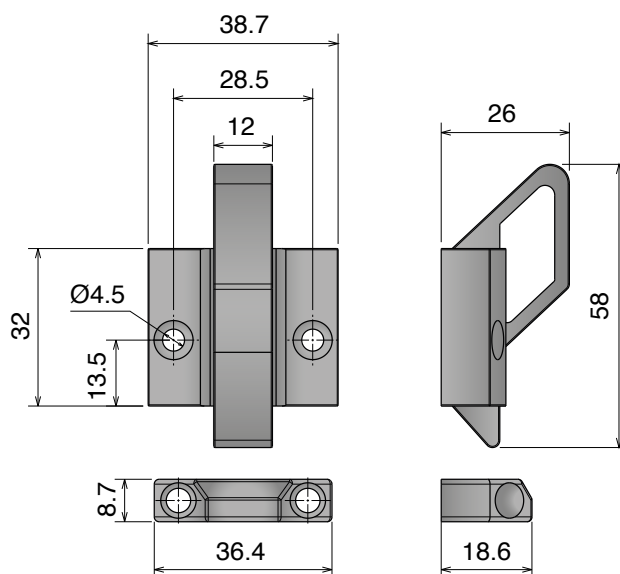
Part	Article-Nr.
423	42301



424 Fermaporta a molla Spring loaded latch / Türverschluss

Delivery: **Easy** **Standard**

Part	Article-Nr.
424	42401





Movex
OFFICIAL UK PARTNER

Oadby Conveyors

Oadby Conveyors
68 Scudamore Road
Braunstone Frith Ind. Est.
Leicester
LE3 1UA

0116 232 4848
convteam@oadbyplastics.co.uk

Head Office

Oadby Plastics Ltd
68 Scudamore Road
Braunstone Frith Ind. Est.
Leicester
LE3 1UA

0116 232 1010
sales@oadbyplastics.co.uk

For further information and specification details please visit our comprehensive website. Due to a policy of continual product development, Oadby Conveyors reserves the right to alter any of the specifications given in the publication without prior notice. The specification must be checked with Oadby Conveyors prior to manufacture. For this reason no responsibility or liability for accuracy is accepted by Oadby Conveyors.

Company registration No. 03542957 | www.oadbyconveyors.co.uk



Certificate Number 8147
ISO 9001, ISO 14001