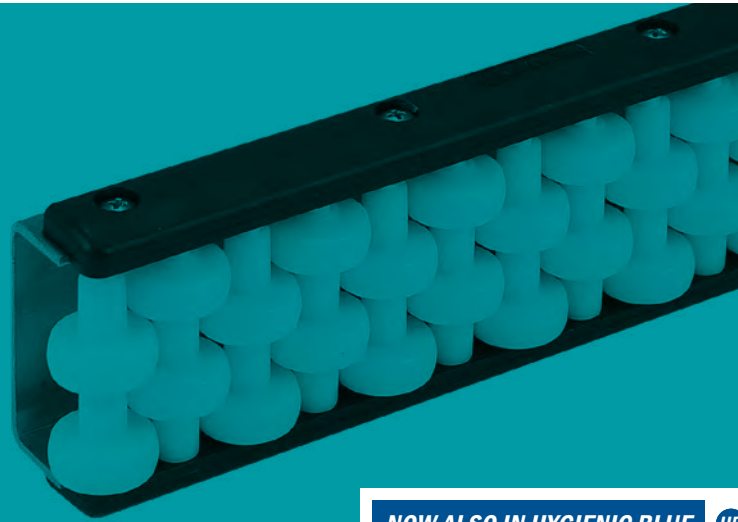


Product Overview



Movex[®]
OFFICIAL UK PARTNER



NOW ALSO IN HYGIENIC BLUE 

 Page 512	 Page 512	 Page 513	 Page 513	 Page 514	 Page 514
---	---	---	---	---	---

 Page 515	 Page 515	 Page 516	 Page 516	 Page 517	 Page 517
--	--	--	--	--	--

 Page 517	 Page 518	 Page 518	 Page 519	 Page 520	 Page 521
---	---	---	---	---	---

 Page 522	 Page 523	 Page 524	 Page 525	 Page 526	 Page 526
---	---	---	---	---	---

 Page 527	 Page 527	 Page 528	 Page 528	 Page 529	 Page 529
---	---	---	---	---	---

 Page 529	 Page 530	 Page 530	 Page 530	 Page 531	 Page 531
---	---	---	---	---	---

 Page 531	 Page 532	 Page 532	 Page 532	 Page 533	 Page 533
---	---	---	---	---	---

 Page 533	 Page 534	 Page 534	 Page 535	 Page 535	 Page 535
---	---	---	---	---	---

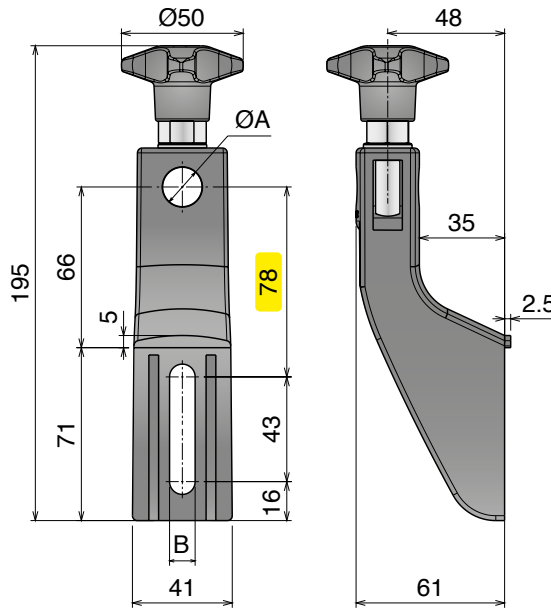
328  Page 536	329  Page 536	330  Page 536	362  Page 536	390  Page 537	392  Page 537
393  Page 537	336  Page 537	394  Page 538	341 HB  Page 538	341 HB  Page 538	3310  Page 539
3311  Page 539	345  Page 539	349  Page 540	350  Page 540	351  Page 540	3004  Page 541
352  Page 541	3005  Page 541	347  Page 542	348  Page 542	346  Page 542	356  Page 543
357  Page 543	3011  Page 543	3099  Page 544	335  Page 545	358  Page 546	358  Page 547
358  Page 547	358  Page 547	358  Page 548	364  Page 548	359  Page 549	365  Page 549
360  Page 550	360  Page 551	366  Page 550/551	361  Page 552	361  Page 553	367  Page 552/553
364-365  Page 554	366-367  Page 555	366  Page 556	367  Page 556	364  Page 557	365  Page 557
395  Page 558	362  Page 558	3629  Page 558	333  Page 558	358/359/360/361  Page 559	3014  Page 559
353  Page 560	354  Page 560	355  Page 560	363  Page 561	396  Page 562	363  Page 563
36399  Page 563	199/299  Page 564	368  Page 565	369  Page 565	370  Page 566	371  Page 566

342  Page 567	372 HB  Page 568	373  Page 568	383  Page 568	384  Page 569	386  Page 569
3003  Page 570	397  Page 570	374  Page 571	375  Page 571	377  Page 572	378  Page 572
379  Page 573	380  Page 573	381 HB  Page 574	382 HB  Page 574	376  Page 575	376  Page 575
376  Page 575	391  Page 576	1097  Page 576	387  Page 577	388  Page 577	903  Page 578
903  Page 578	998  Page 578				

Conveyor components

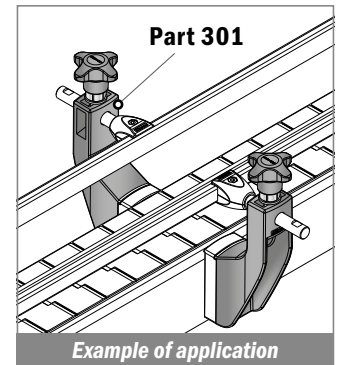
301 Supporto laterale - piccolo - Side bracket - small - / Geländerhalter - klein -

Delivery: **Easy** Standard



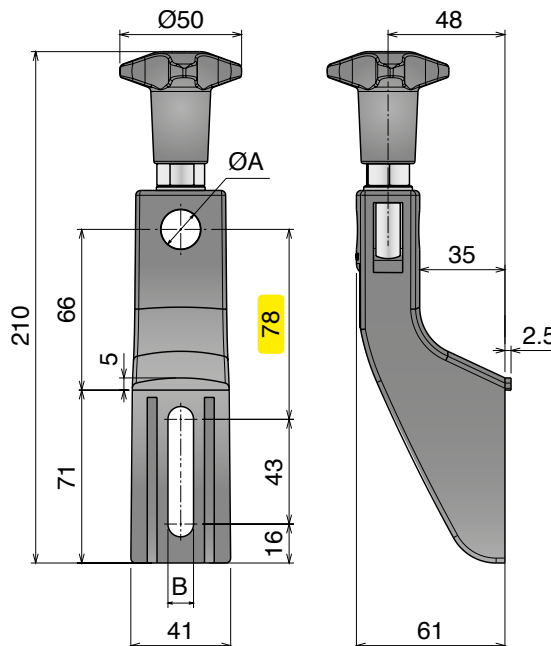
NOW ALSO IN HYGIENIC BLUE

Part	Article-Nr.	ØA	B	Colour
301	30101	12	9	Black
301	30105	14	9	Black
301	30102	16	9	Black
301	30103	12	10,5	Black
301	30106	14	10,5	Black
301	30104	16	10,5	Black
301	30151	12	9	Hygienic blue
301	30155	14	9	Hygienic blue
301	30152	16	9	Hygienic blue
301	30153	12	10,5	Hygienic blue
301	30156	14	10,5	Hygienic blue
301	30154	16	10,5	Hygienic blue



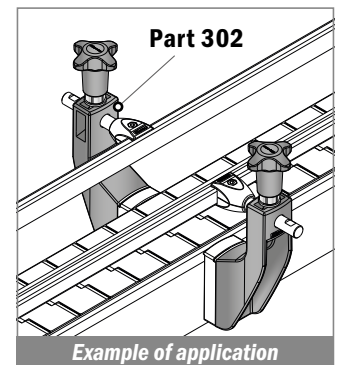
302 Supporto laterale - piccolo - volantino alto - Side bracket - small - high knob / Geländerhalter - klein - hoher Sterngriff

Delivery: **Easy** Standard



NOW ALSO IN HYGIENIC BLUE

Part	Article-Nr.	ØA	B	Colour
302	30201	12	9	Black
302	30205	14	9	Black
302	30202	16	9	Black
302	30203	12	10,5	Black
302	30206	14	10,5	Black
302	30204	16	10,5	Black
302	30251	12	9	Hygienic blue
302	30255	14	9	Hygienic blue
302	30252	16	9	Hygienic blue
302	30253	12	10,5	Hygienic blue
302	30256	14	10,5	Hygienic blue
302	30254	16	10,5	Hygienic blue



Materiale / Material / Materialien:

Supporto: PA / Support: PA / Halter: PA

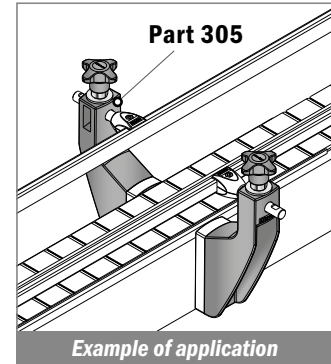
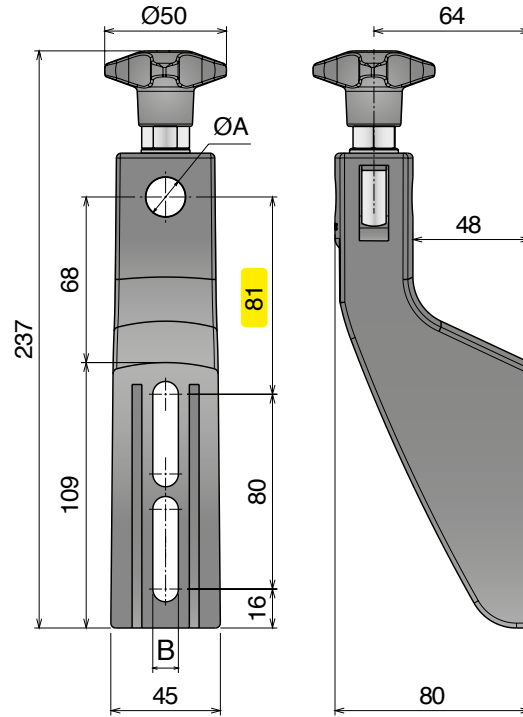
Volantino: PA+ottone nichelato / Knob: PA+nickel plated brass / Sterngriff: PA+ Messing vernickelt

Tirante: Acciaio inox / Eyebolt: Stainless steel / Augenschraube: Edelstahl

305 Supporto laterale -medio- Side bracket -medium- / Geländerhalter -medium-

Delivery: **Easy** Standard

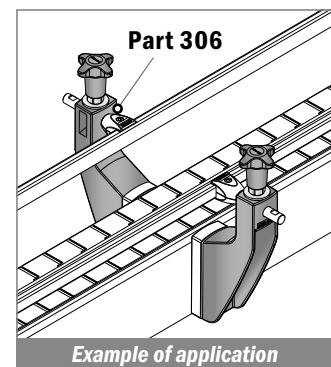
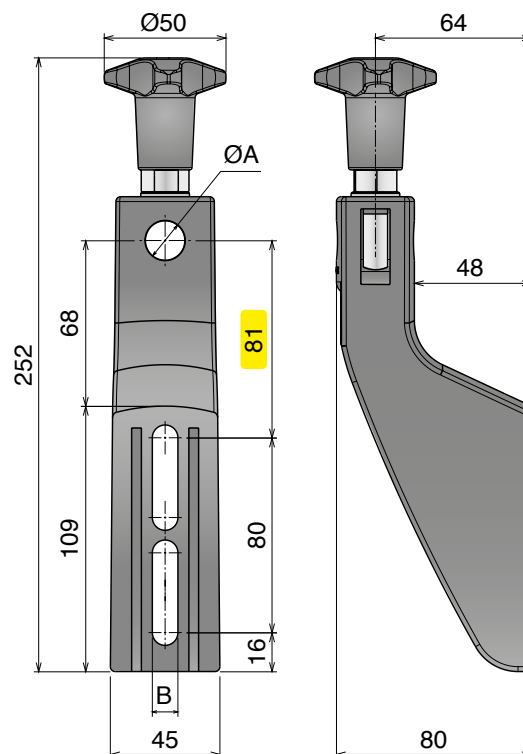
Part	Article-Nr.	ØA	B
305	30501	12	9
305	30505	14	9
305	30502	16	9
305	30503	12	10,5
305	30506	14	10,5
305	30504	16	10,5



306 Supporto laterale -medio- volantino alto Side bracket -medium- high knob / Geländerhalter -medium- hoher Sterngriff

Delivery: **Easy** Standard

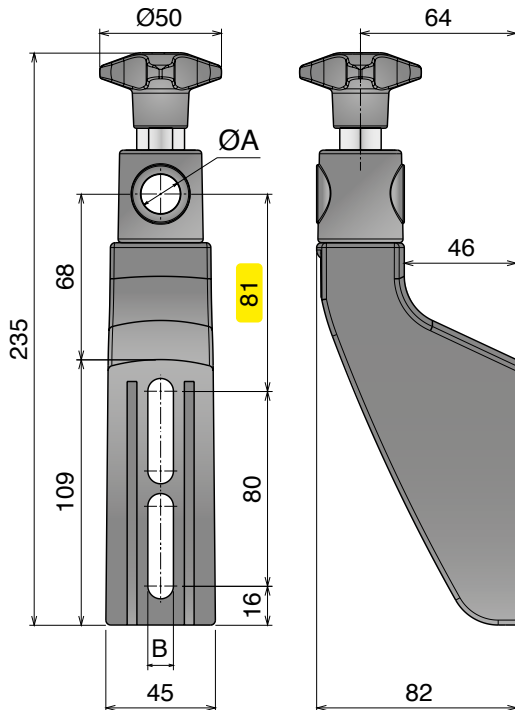
Part	Article-Nr.	ØA	B
306	30601	12	9
306	30605	14	9
306	30602	16	9
306	30603	12	10,5
306	30606	14	10,5
306	30604	16	10,5



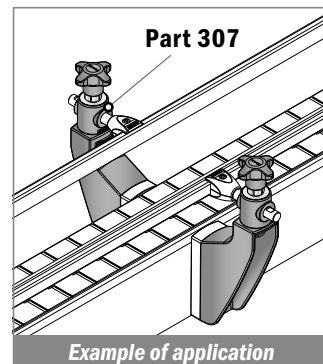
Materiale / Material / Materialien: Supporto: PA/Support: PA/Halter: PA
 Volantino: PA+ottone nichelato/Knob: PA+nickel plated brass/Stemgriff: PA+ Messing vernickelt
 Tirante: Acciaio inox/Eyebolt: Stainless steel/Augenschraube: Edelstahl
 Testina: PA o Acciaio inox/Head: PA or stainless steel/Schwenkkopf: PA oder Edelstahl
 Vite, rondella e dado: Acciaio inox/Screw, washer and nut: Stainless steel/Schraube, Unterlegs und Mutter: Edelstahl

307 Supporto laterale -medio- orientabile Side bracket -medium- adjustable / Geländerhalter -medium- einstellbar

Delivery: **Easy** Standard

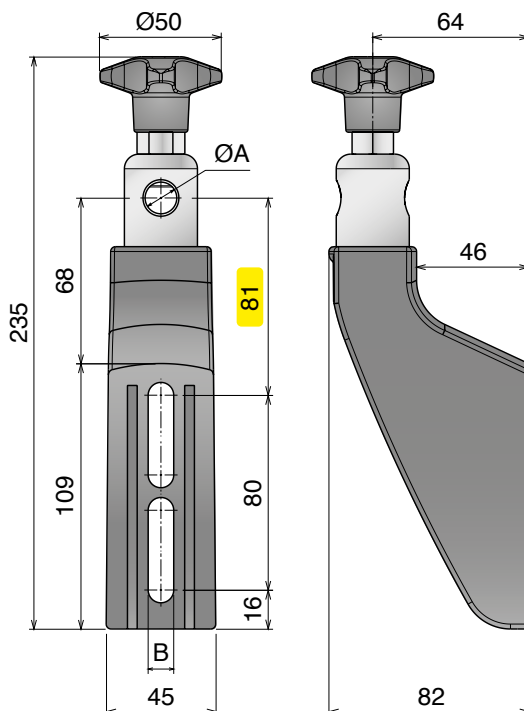


Part	Article-Nr.	ØA	B
307	30701	12	9
307	30705	14	9
307	30702	16	9
307	30703	12	10,5
307	30706	14	10,5
307	30704	16	10,5
307	30709	bracket	9
307	30710	bracket	10,5

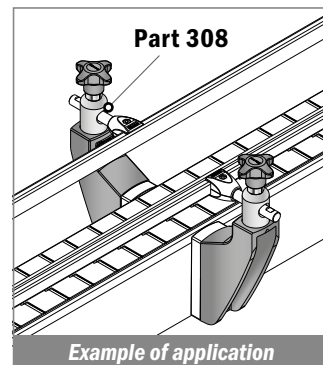


308 Supporto laterale -medio- orientabile Acciaio inox Side bracket -medium- adjustable stainless steel / Geländerhalter -medium- einstellbar edelstahl

Delivery: **Easy** Standard



Part	Article-Nr.	ØA	B
308	30801	12	9
308	30805	14	9
308	30802	16	9
308	30803	12	10,5
308	30806	14	10,5
308	30804	16	10,5



Materiale / Material / Materialien:

Supporto: PA / Support: PA / Halter: PA

Volantino: PA+ottone nichelato / Knob: PA+nickel plated brass / Sterngriff: PA+ Messing vernickelt

Tirante: Acciaio inox / Eyebolt: Stainless steel / Augenschraube: Edelstahl

309-310

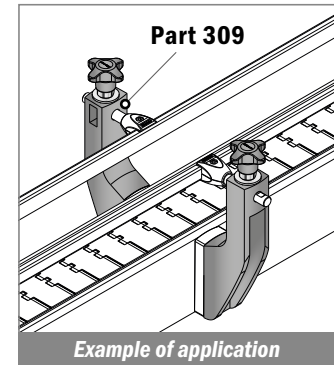
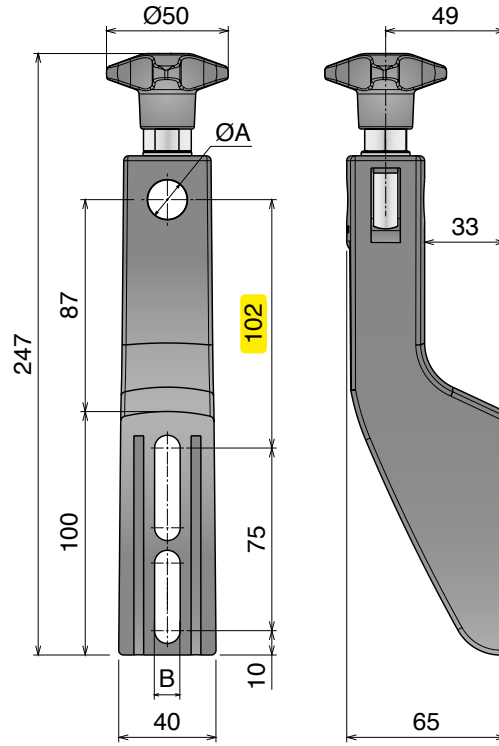
Componenti / Conveyor components / Komponenten

309 Supporto laterale -grande- Side bracket -large- / Geländerhalter -groß-

NOW ALSO IN HYGIENIC BLUE

Delivery: **Easy** Standard

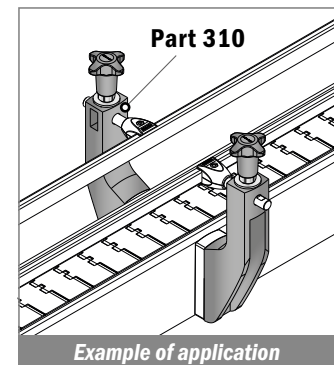
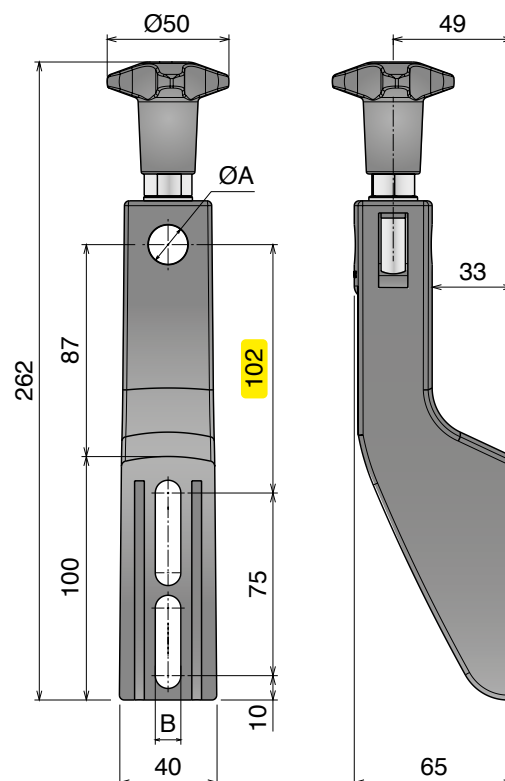
Part	Article-Nr.	ØA	B	Colour
309	30901	12	9	Black
309	30905	14	9	Black
309	30902	16	9	Black
309	30903	12	10,5	Black
309	30906	14	10,5	Black
309	30904	16	10,5	Black
309	30951	12	9	Hygienic blue
309	30955	14	9	Hygienic blue
309	30952	16	9	Hygienic blue
309	30953	12	10,5	Hygienic blue
309	30956	14	10,5	Hygienic blue
309	30954	16	10,5	Hygienic blue



310 Supporto laterale -grande- volantino alto Side bracket -large- high knob / Geländerhalter -groß- hoher sterngriff

Delivery: **Easy** Standard

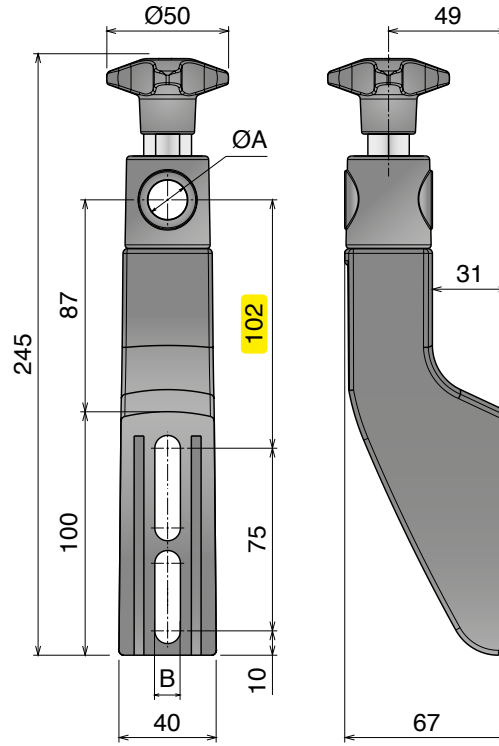
Part	Article-Nr.	ØA	B
310	31001	12	9
310	31005	14	9
310	31002	16	9
310	31003	12	10,5
310	31006	14	10,5
310	31004	16	10,5



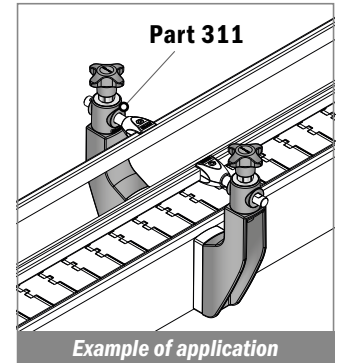
Materiale / Material / Materialien: Supporto: PA/Support: PA/Halter: PA
 Volantino: PA+ottone nichelato/Knob: PA+nickel plated brass/Sterngriff: PA+ Messing vernickelt
 Tirante: Acciaio inox/Eyebolt: Stainless steel/Augenschraube: Edelstahl
 Testina: PA o Acciaio inox/Head: PA or stainless steel/Schwenkkopf: PA oder Edelstahl
 Vite, rondella e dado: Acciaio inox/Screw, washer and nut: Stainless steel/Schraube, Unterlegs und Mutter: Edelstahl

311 Supporto laterale -grande- orientabile Side bracket -large- adjustable / Geländerhalter -groß- einstellbar

Delivery: **Easy** Standard

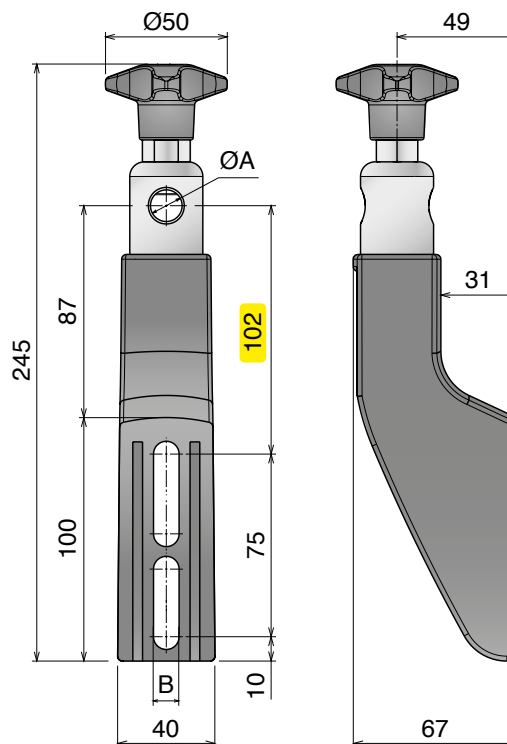


Part	Article-Nr.	ØA	B
311	31101	12	9
311	31105	14	9
311	31102	16	9
311	31103	12	10,5
311	31106	14	10,5
311	31104	16	10,5
311	31109	bracket	9
311	31110	bracket	10,5

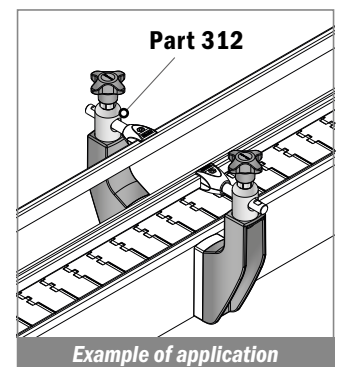


312 Supporto laterale -grande- orientabile Acciaio inox Side bracket -large- adjustable stainless steel / Geländerhalter -groß- einstellbar edelstahl

Delivery: **Easy** Standard



Part	Article-Nr.	ØA	B
312	31201	12	9
312	31205	14	9
312	31202	16	9
312	31203	12	10,5
312	31206	14	10,5
312	31204	16	10,5

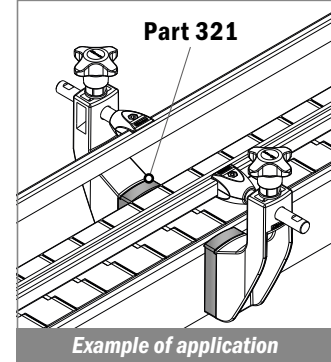
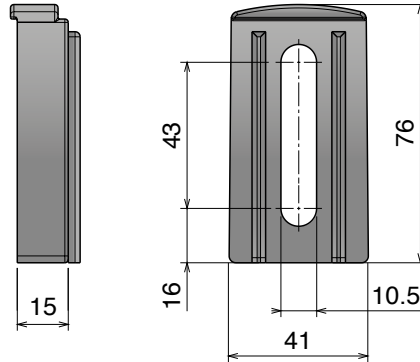


321 Distanziale per supporto -piccolo
 Spacer for bracket -small / Distanzstück für Geländerhalter -klein

NOW ALSO IN HYGIENIC BLUE

Delivery: **Easy** **Standard** Used with bracket Part. 301-302 Page 512

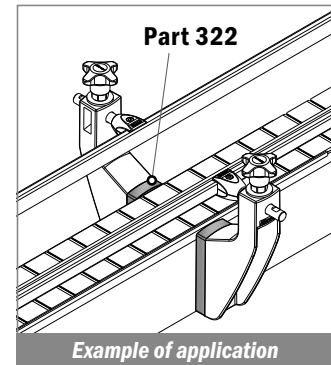
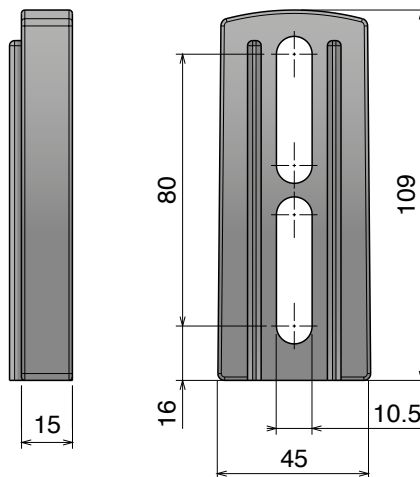
Part	Article-Nr.	Colour
321	32101	Black
321	32151	Hygienic blue



322 Distanziale per supporto -medio
 Spacer for bracket -medium / Distanzstück für Geländerhalter -medium

Delivery: **Easy** **Standard** Used with Part 305-306 Page 513 and Part 307-308 Page 514

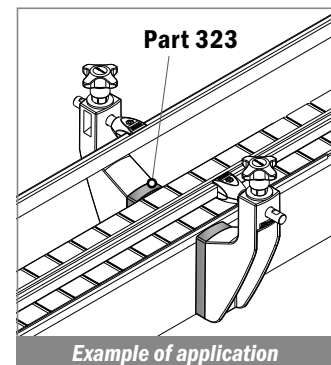
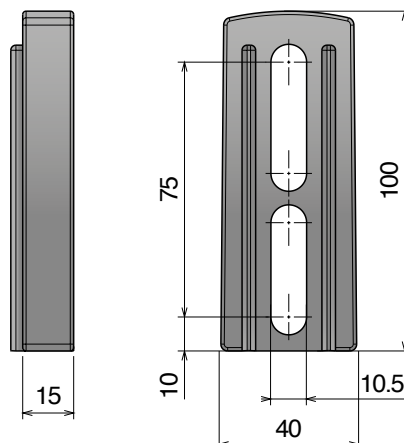
Part	Article-Nr.	Colour
322	32201	Black



323 Distanziale per supporto -grande
 Spacer for bracket -large / Distanzstück für Geländerhalter -groß

Delivery: **Easy** **Standard** Used with Part 309-310 Page 515 and Part 311-312 Page 516

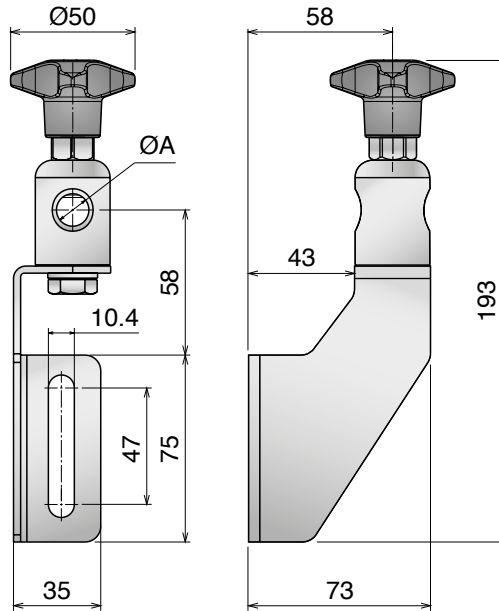
Part	Article-Nr.	Colour
322	32301	Black



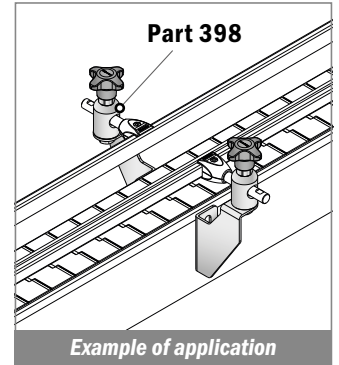
398 Supporto laterale inox -medio- orientabile SS bracket -medium- adjustable / Edelstahl Geländerhalter -medium- einstellbar

NOW ALSO IN HYGIENIC BLUE

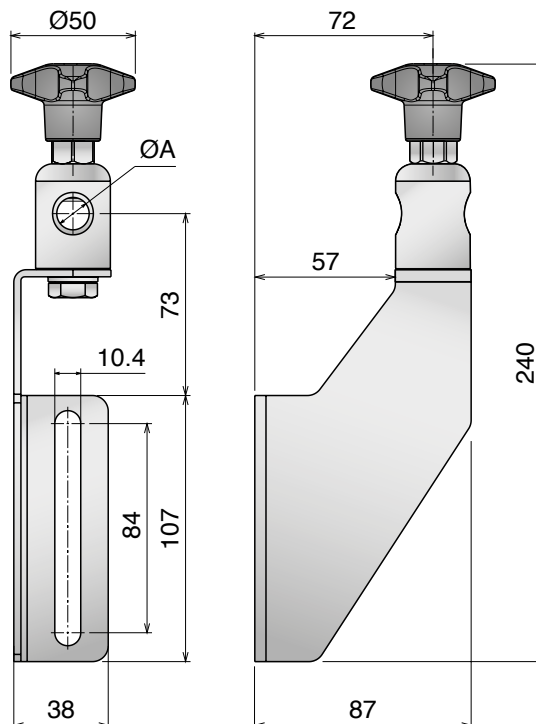
Delivery: **Easy** Standard



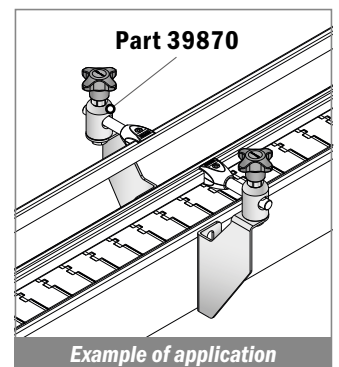
Part	Article-Nr.	ØA	Knob Colour
398	39860	12	Black
398	39862	14	Black
398	39861	16	Black
398	39860HB	12	Hygienic blue
398	39862HB	14	Hygienic blue
398	39861HB	16	Hygienic blue



Supporto laterale inox -grande- orientabile SS bracket -large- adjustable / Edelstahl Geländerhalter -groß- einstellbar



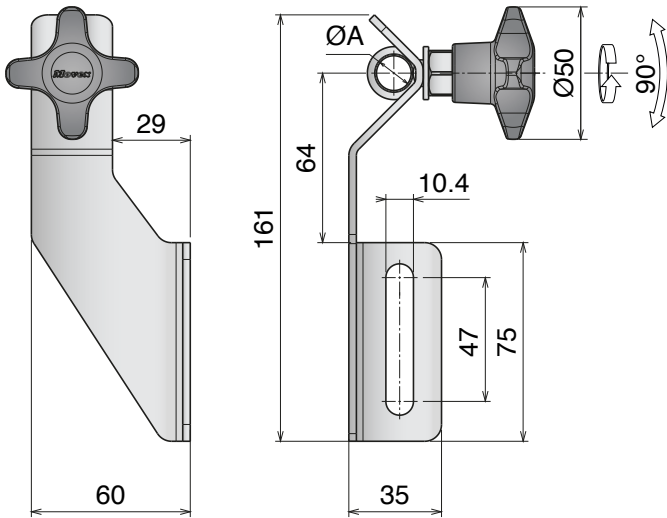
Part	Article-Nr.	ØA	Knob Colour
398	39870	12	Black
398	39872	14	Black
398	39871	16	Black
398	39870HB	12	Hygienic blue
398	39872HB	14	Hygienic blue
398	39871HB	16	Hygienic blue



398 Supporto laterale inox -piccolo
 SS bracket -small / Edelstahl Geländerhalter -klein

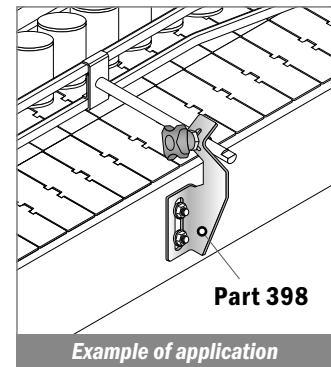
Stainless Steel | AISI 304

Width 60 mm – Height 64 mm



Advantages:

- Hygienic design
- Stronger design
- Easy to install
- Corrosion resistant
- High temperature resistant
- Fixing system customizable



Stainless steel knob

Plastic knob

Stainless steel nut



Part	Article-Nr.	ØA
398	39810SK	12-13
398	39811SK	14
398	39812SK	16

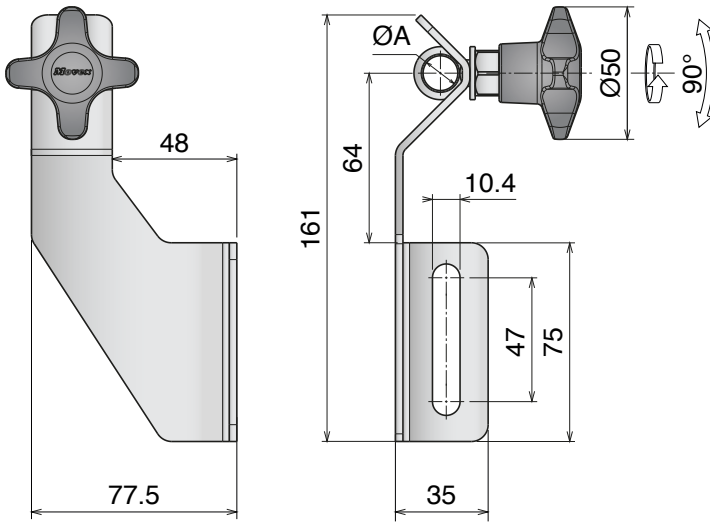
Part	Article-Nr.	ØA
398	39810	12-13
398	39811	14
398	39812	16

Part	Article-Nr.	ØA
398	39810S	12-13
398	39811S	14
398	39812S	16

398 Supporto laterale inox - medio SS bracket - medium / Edelstahl Geländerhalter - medium

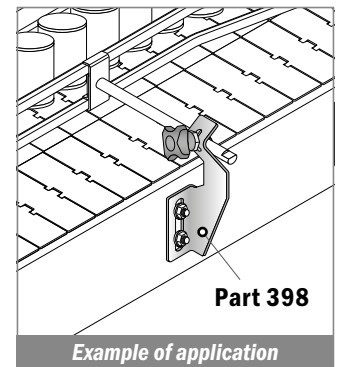
Stainless Steel | AISI 304

Width 77,5 mm - Height 64 mm



Advantages:

- Hygienic design
- Stronger design
- Easy to install
- Corrosion resistant
- High temperature resistant
- Fixing system customizable



Stainless steel knob



Plastic knob



Stainless steel nut



Part	Article-Nr.	ØA
398	39820SK	12-13
398	39821SK	14
398	39822SK	16

Part	Article-Nr.	ØA
398	39820	12-13
398	39821	14
398	39822	16

Part	Article-Nr.	ØA
398	39820S	12-13
398	39821S	14
398	39822S	16

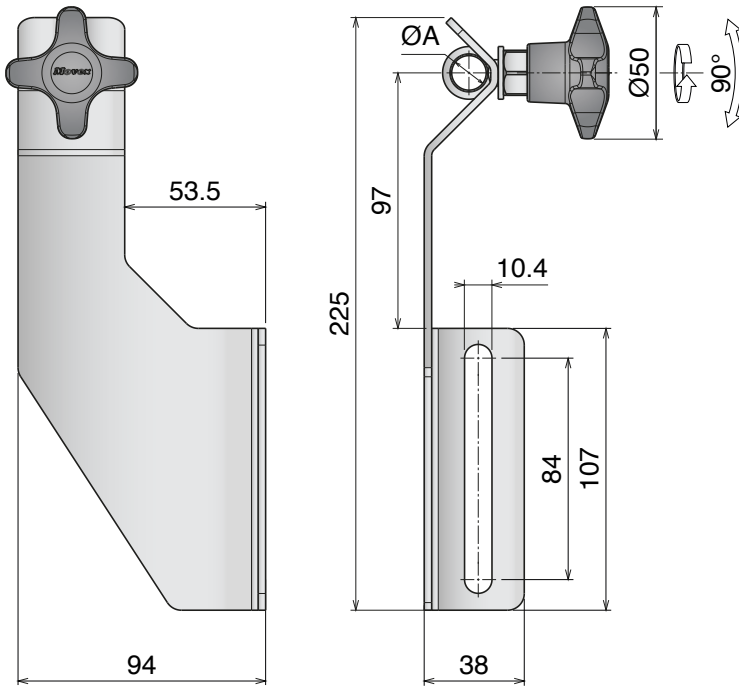
398 Supporto laterale inox -grande

SS bracket -large / Edelstahl Geländerhalter -groß

Stainless Steel | AISI 304

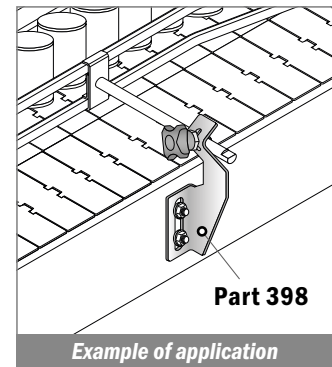
Delivery: **Easy** Standard

Width 94 mm - Height 97 mm



Advantages:

- Hygienic design
- Stronger design
- Easy to install
- Corrosion resistant
- High temperature resistant
- Fixing system customizable



Stainless steel knob



Part	Article-Nr.	ØA
398	39830SK	12-13
398	39831SK	14
398	39832SK	16

Plastic knob



Part	Article-Nr.	ØA
398	39830	12-13
398	39831	14
398	39832	16

Stainless steel nut

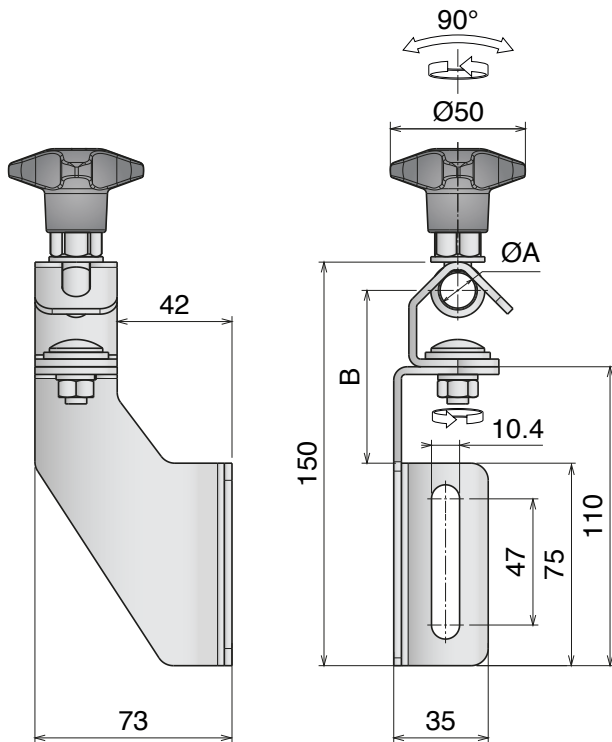


Part	Article-Nr.	ØA
398	39830S	12-13
398	39831S	14
398	39832S	16

398 Supporto laterale inox - medio- orientabile SS bracket - medium- adjustable / Edelstahl Geländerhalter - medium- einstellbar

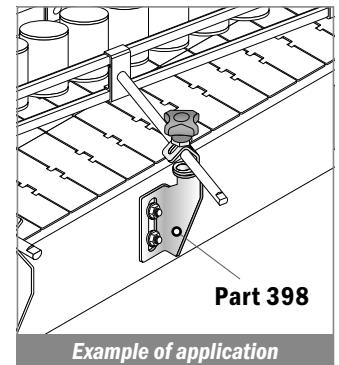
Stainless Steel | AISI 304

Width 73 mm – Height 64 mm



Advantages:

- Hygienic design
- Stronger design
- Easy to install
- Corrosion resistant
- High temperature resistant
- Fixing system customizable



Stainless steel knob



Plastic knob



Stainless steel nut



Part	Article-Nr.	ØA	B
398	39840SK	12-13	64
398	39841SK	14	62,5
398	39842SK	16	61

Part	Article-Nr.	ØA	B
398	39840	12-13	64
398	39841	14	62,5
398	39842	16	61

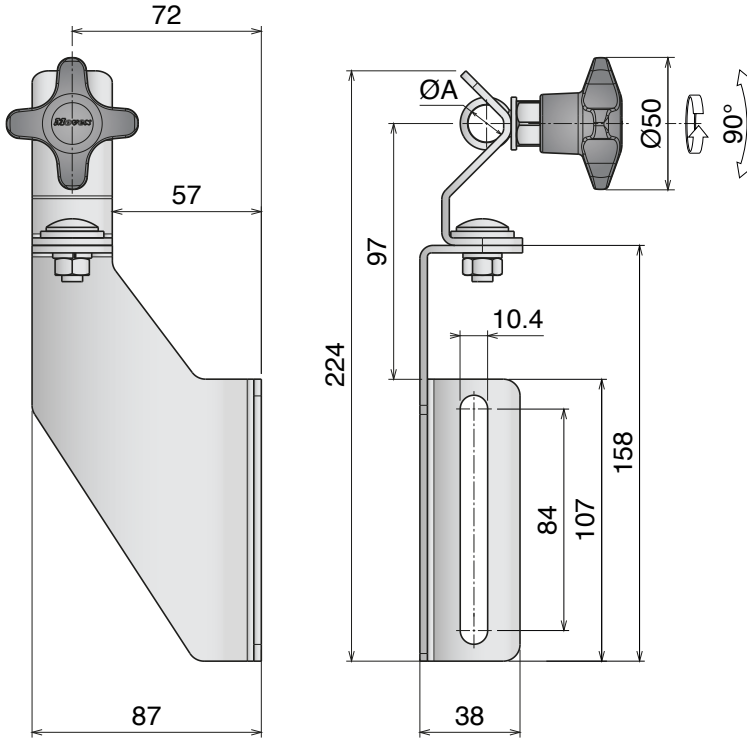
Part	Article-Nr.	ØA	B
398	39840S	12-13	64
398	39841S	14	62,5
398	39842S	16	61

398 Supporto laterale inox -grande- orientabile
 SS bracket -large- adjustable / Edelstahl Geländerhalter -groß- einstellbar

Stainless Steel | AISI 304

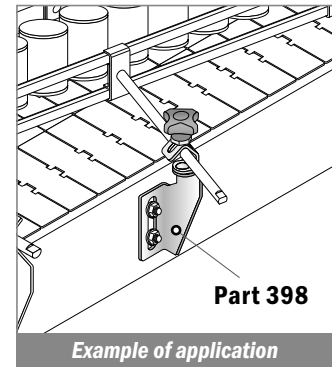
Delivery: **Easy** Standard

Width 87 mm - Height 97 mm



Advantages:

- Hygienic design
- Stronger design
- Easy to install
- Corrosion resistant
- High temperature resistant
- Fixing system customizable



Stainless steel knob

Plastic knob

Stainless steel nut



Part	Article-Nr.	ØA
398	39850SK	12-13
398	39851SK	14
398	39852SK	16

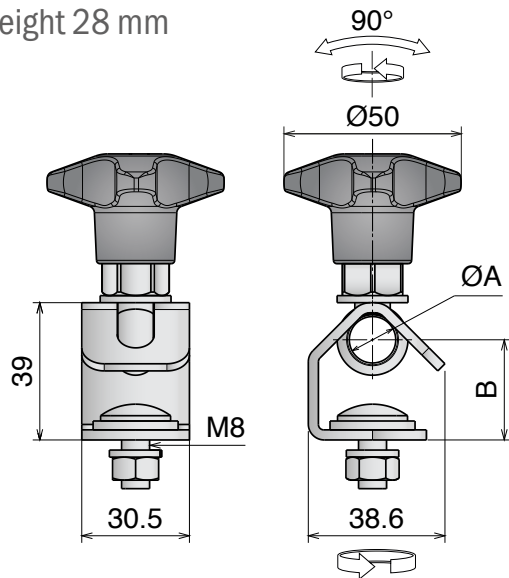
Part	Article-Nr.	ØA
398	39850	12-13
398	39851	14
398	39852	16

Part	Article-Nr.	ØA
398	39850S	12-13
398	39851S	14
398	39852S	16

398 Testina orientabile inox -media Stainless steel adjustable head -medium / Edelstahl Schwenkkopf -medium

Stainless Steel | AISI 304

Height 28 mm



Advantages:

- Hygienic design
- Stronger design
- Easy to install
- Corrosion resistant
- High temperature resistant
- Fixing system customizable

Stainless steel knob



Plastic knob



Stainless steel nut



Part	Article-Nr.	ØA	B
398	39845SK	12-13	29
398	39846SK	14	27,5
398	39847SK	16	26

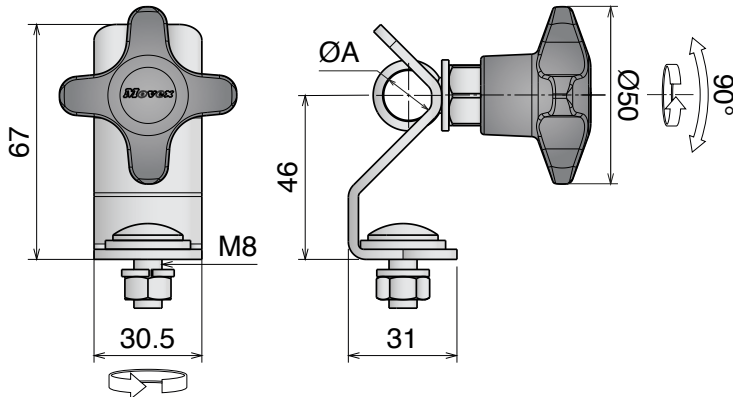
Part	Article-Nr.	ØA	B
398	39845	12-13	29
398	39846	14	27,5
398	39847	16	26

Part	Article-Nr.	ØA	B
398	39845S	12-13	29
398	39846S	14	27,5
398	39847S	16	26

398 Testina orientabile inox -alta
 Stainless steel adjustable head -large / Edelstahl Schwenkkopf -groß

Stainless Steel | AISI 304

Height 46 mm



Advantages:

- Hygienic design
- Stronger design
- Easy to install
- Corrosion resistant
- High temperature resistant
- Fixing system customizable

Stainless steel knob



Part	Article-Nr.	ØA
398	39855SK	12-13
398	39856SK	14
398	39857SK	16

Plastic knob



Part	Article-Nr.	ØA
398	39855	12-13
398	39856	14
398	39857	16

Stainless steel nut



Part	Article-Nr.	ØA
398	39855S	12-13
398	39856S	14
398	39857S	16

313-314

Componenti / Conveyor components / Komponenten

Materiale / Material / Materialien:

Volantino: PA+ottone nichelato / Knob: PA+nickel plated brass / Sterngriff: PA+ Messing vernickelt

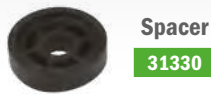
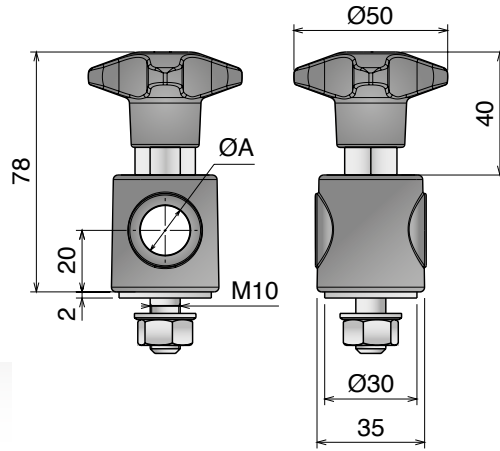
Tirante: Acciaio inox / Eyebolt: Stainless steel / Augenschraube: Edelstahl

Testina: PA o Acciaio inox / Head: PA or stainless steel / Schwenkopf: PA oder Edelstahl

Vite, rondella e dado: Acciaio inox / Screw, washer and nut: Stainless steel / Schraube, Scheibe und Mutter: Edelstahl

313 Testina orientabile Adjustable head / Schwenkopf

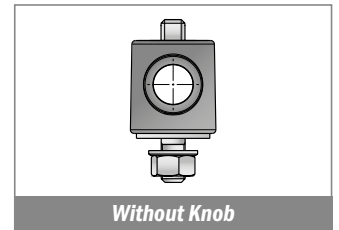
Delivery: **Easy** **Standard**



Spacer
31330

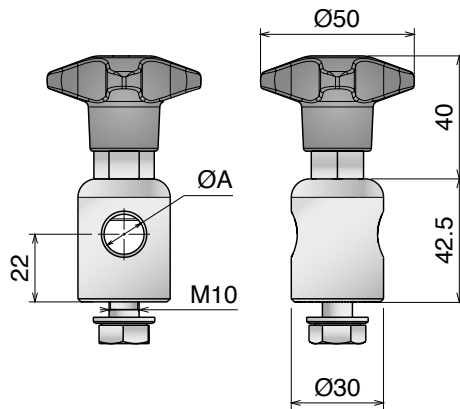
NOW ALSO IN HYGIENIC BLUE

Part	Article-Nr.	ØA	Knob Colour
313	31301	12	Black
313	31303	14	Black
313	31302	16	Black
313	31351	12	Hygienic blue
313	31353	14	Hygienic blue
313	31352	16	Hygienic blue
313	31311	12-without knob	-
313	31313	14-without knob	-
313	31312	16-without knob	-



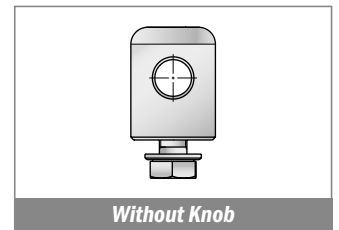
314 Testina orientabile, acciaio inox Adjustable head, stainless steel / Schwenkopf, Edelstahl

Delivery: **Easy** **Standard**

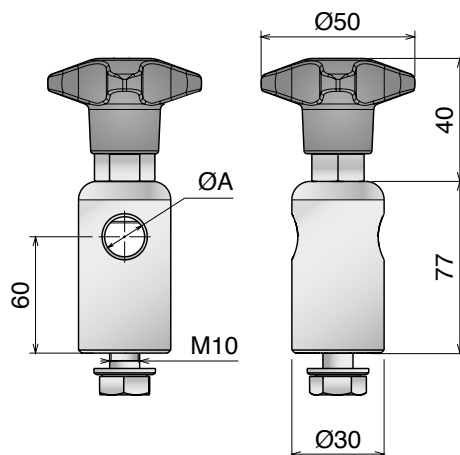


NOW ALSO IN HYGIENIC BLUE

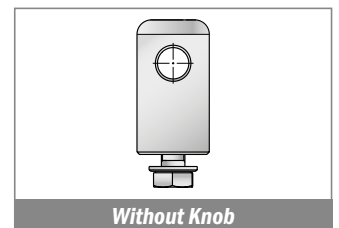
Part	Article-Nr.	ØA	Knob Colour
314	31401	12	Black
314	31403	14	Black
314	31402	16	Black
314	31451	12	Hygienic blue
314	31453	14	Hygienic blue
314	31452	16	Hygienic blue
314	31411	12-without knob	-
314	31413	14-without knob	-
314	31412	16-without knob	-



Testina orientabile alta, acciaio inox Adjustable head, stainless steel / Schwenkopf, Edelstahl



Part	Article-Nr.	ØA
314	31409	12
314	31414	14
314	31410	16
314	31419	12-without knob
314	31421	14-without knob
314	31420	16-without knob



315 Supporto laterale "L" L-bracket / Winkel

Delivery: **Easy** **Standard**

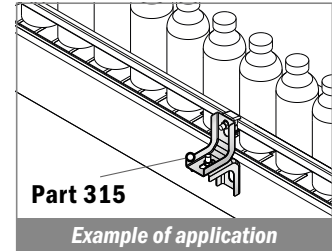
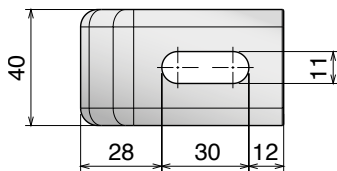
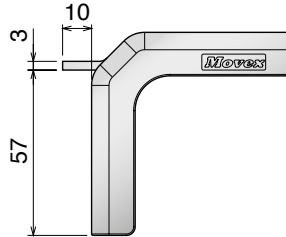
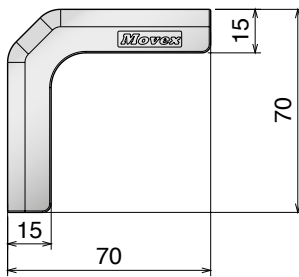
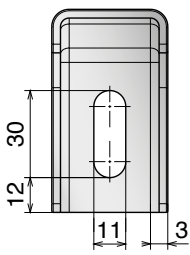
Stainless Steel | AISI 304

Part	Article-Nr.	Type
315	31501	A
315	31502	B



TYPE A - WITHOUT NOSE

TYPE B - WITH NOSE



316 Supporto laterale "L" L-bracket / Winkel

Delivery: **Easy** **Standard**

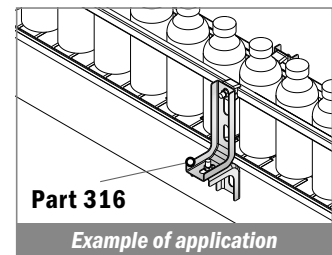
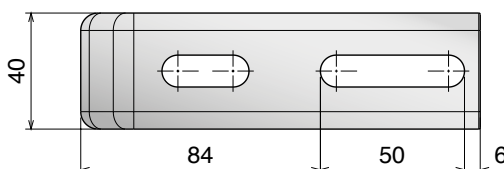
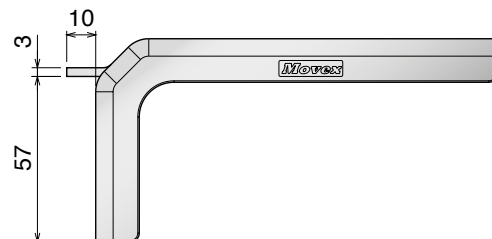
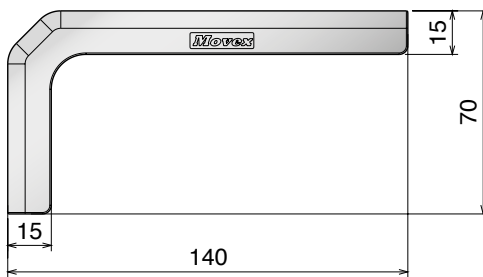
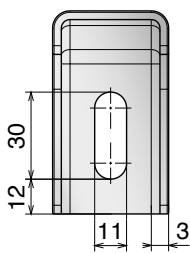
Stainless Steel | AISI 304

Part	Article-Nr.	Type
316	31601	A
316	31602	B



TYPE A - WITHOUT NOSE

TYPE B - WITH NOSE

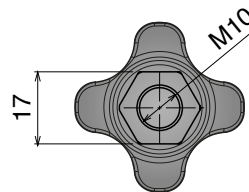
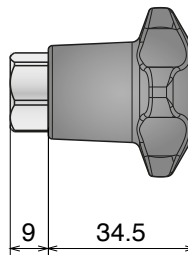
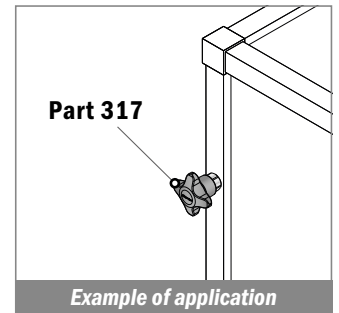
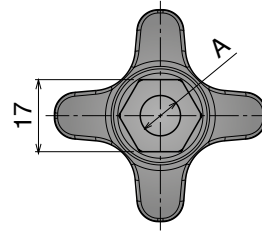
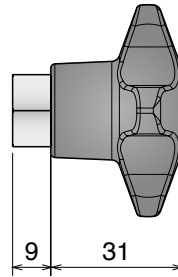
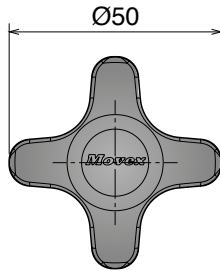


317 Volantino Star knob / Sterngriff

NOW ALSO IN HYGIENIC BLUE

Delivery: **Easy** **Standard**

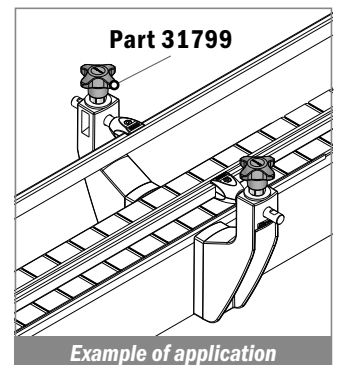
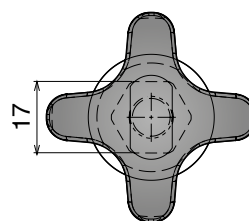
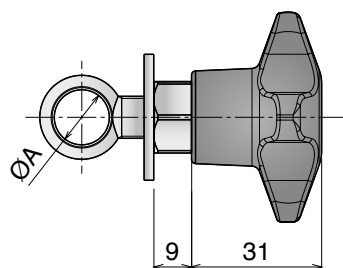
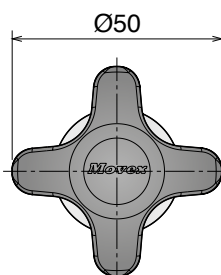
Part	Article-Nr.	A	Ø	Knob Colour
317	31702	M10	40	Black
317	31703	M8	50	Black
317	31701	M10	50	Black
317	31704	M12	50	Black
317	31753	M8	50	Hygienic blue
317	31751	M10	50	Hygienic blue
317	31754	M12	50	Hygienic blue



Volantino con tirante Star knob with eye-bolt / Sterngriff mit Augenschraube

NOW ALSO IN HYGIENIC BLUE

Part	Article-Nr.	ØA	Knob Colour
317	31799	12	Black
317	31797	14	Black
317	31798	16	Black
317	31759	12	Hygienic blue
317	31757	14	Hygienic blue
317	31758	16	Hygienic blue



Materiale / Material / Materialien:

Poliamide + ottone nichelato / Acciaio inox / Ottone
 Polyamide + nickel plated brass / Stainless steel / Brass
 Polyamid + Messing vernickelt / Edelstahl / Messing

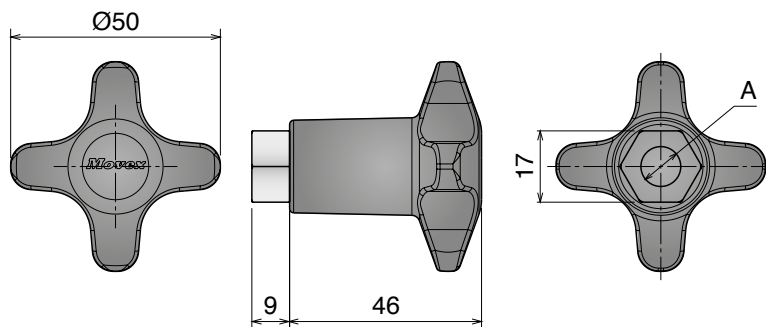
318-319-334

Componenti / Conveyor components / Komponenten

318 Volantino Star knob / Sterngriff

Delivery: **Easy** Standard

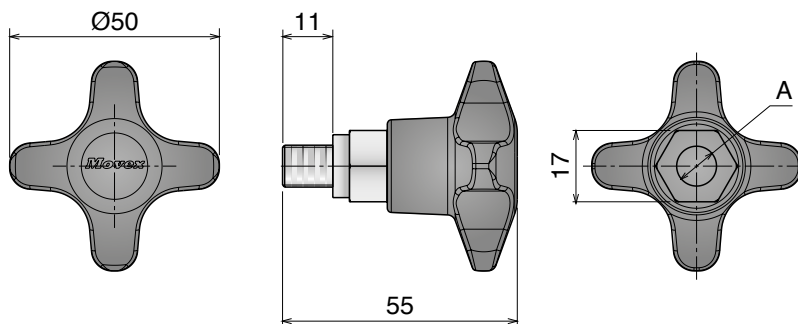
Part	Article-Nr.	A
318	31802	M8
318	31801	M10
318	31803	M12



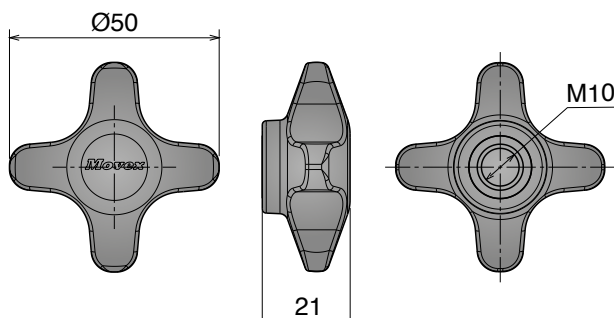
319 Volantino Star knob / Sterngriff

Delivery: **Easy** Standard

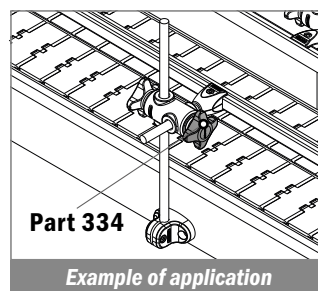
Part	Article-Nr.	A
319	31903	M8
319	31901	M10
319	31904	M12



NEW 334 Volantino Star knob / Sterngriff



Part	Article-Nr.	Colour
334	33401	Black
334	33401H	Hygienic blue
334	334010	Orange



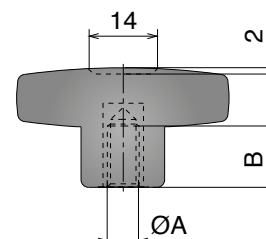
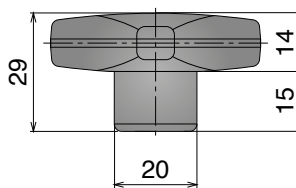
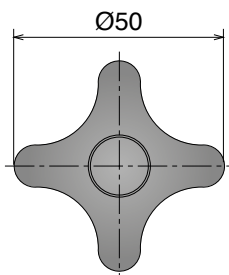
Materiale / Material / Materialien:

Part. 317: Acciaio inox / Stainless steel / Edelstahl

Part. 320: Poliammide + ottone nichelato / Polyamide + nickel plated brass / Polyamid + messing vernickelt

Part.3007: Poliammide + ottone / Polyamide + brass / Polyamid + messing

3001 Volantino a croce con boccola filettata Star knob with threaded bush / Sterngriff mit Innengewinde

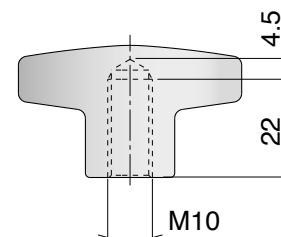
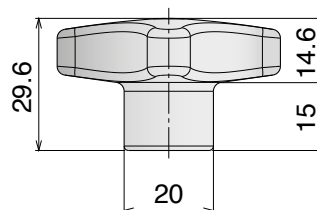
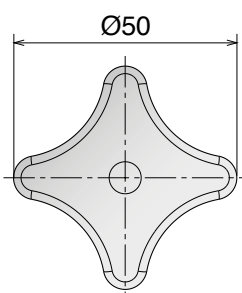


Part	Article-Nr.	ØA	Threaded bush	B
3001	300103	M8	Stainless steel	14
3001	300101	M10	Stainless steel	14
3001	300105	M12	Stainless steel	18
3001	300104	M8	Brass	14
3001	300102	M10	Brass	14
3001	300106	M12	Brass	18

317 Volantino Acciaio inox Star knob stainless steel / Sterngriff Edelstahl

Stainless Steel | AISI 304

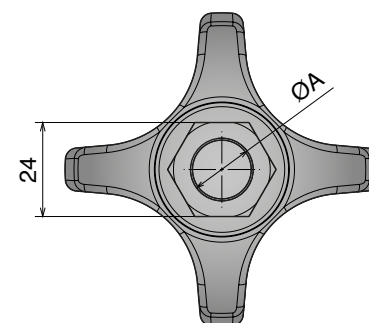
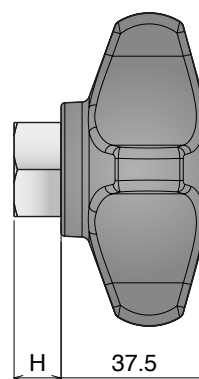
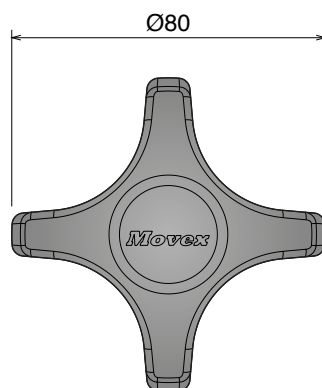
Delivery: **Easy** Standard



Part	Article-Nr.	ØA
317	31721	M10

320 Volantino Ø80 Star knob Ø80 / Sterngriff Ø80

Delivery: **Easy** Standard



Part	Article-Nr.	ØA	H
320	32001	M12	12
320	32002KN	M16	15

Materiale / Material / Materialien:

Part. 3008: Poliammide + acciaio zincato / Polyamide + galvanised steel

Polyamid + verzinktem stahl

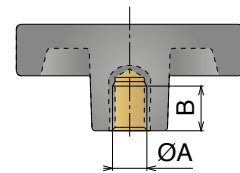
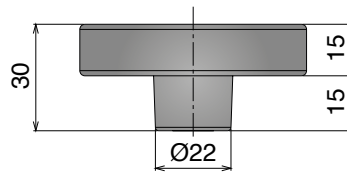
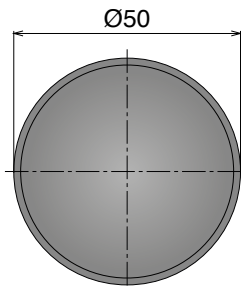
Part. 3002: Poliammide + ottone / Polyamide + brass / Polyamid + messing

3008-3002

Componenti / Conveyor components / Komponenten

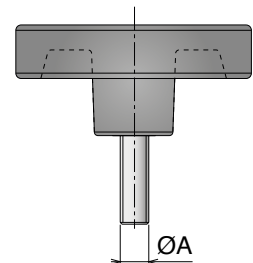
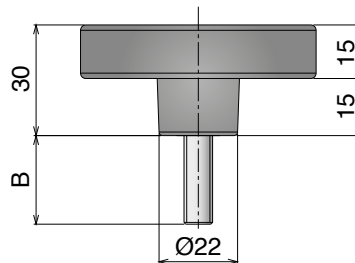
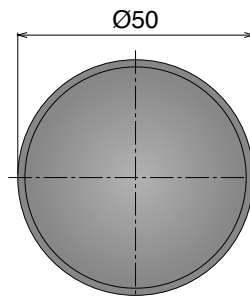
3007 Impugnatura con boccia filettata Knob with threaded bushing / Drehgriff mit Gewindebuchse

Part	Article-Nr.	ØA	B
3007	300701	M8	15
3007	300702	M10	14
3007	300703	M12	18



3008 Impugnatura con perno filettato Knob with threaded pin / Drehgriffschraube

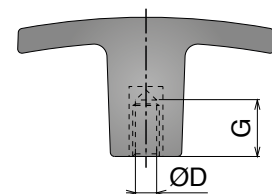
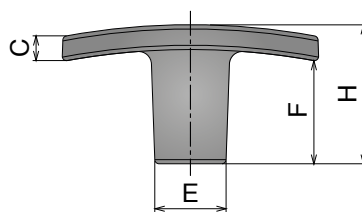
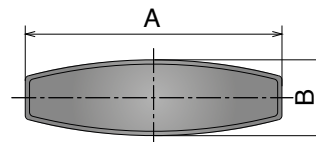
Part	Article-Nr.	ØA	B
3008	300801	M8	25
3008	300802	M10	25
3008	300803	M12	30



3002 Tirante con boccia filettata Handle with threaded insert / T-Griff mit Innengewinde

Delivery: **Easy** Standard

Part	Article-Nr.	A	B	C	ØD	E	F	G	H
3002	300201	50	15	5	M6	14	17	10	24
3002	300202	50	15	5	M8	14	17	14	24
3002	300203	60	18	6	M10	16.5	24	21	33



324-325-3009

Componenti / Conveyor components / Komponenten

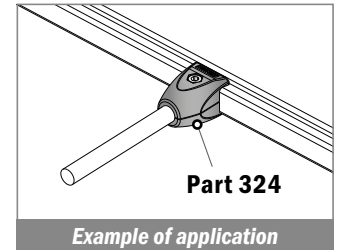
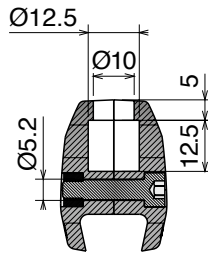
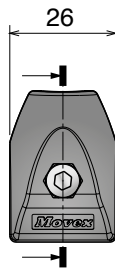
• **Materiale / Material / Materialien:** Morsetti: PA/Clamp: PA/Klemme: PA
 Vite, perno e rondella: Acciaio inox/Screw, pin and washer: Stainless steel
 Schraube, Bolzen und Scheibe: Edelstahl
 Dado: ottone nichelato/Nut: nickel plated brass/Mutter: Messing vernickelt

324 Morsetto singolo per guida laterale conica Single clamp for conical side guide / Einfachklemme für konische Seitenführung

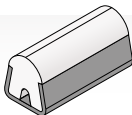
NOW ALSO IN HYGIENIC BLUE

Delivery: **Easy** **Standard** Used with Part 349/350 Page 540 and Part 356 Page 543

Part	Article-Nr.	ØA	Colour
324	32401	without pin	Black
324	32451	without pin	Hygienic blue



Used with
Guide rail
 Page 397

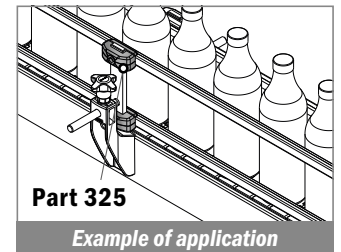
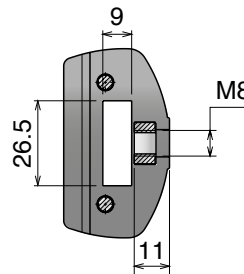
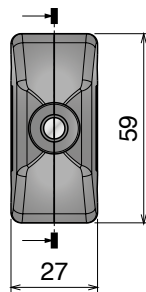
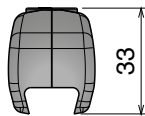


325 Morsetto singolo per guida laterale conica Single clamp for conical side guide / Einfachklemme für konische Seitenführung

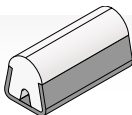
NOW ALSO IN HYGIENIC BLUE

Delivery: **Easy** **Standard** Used with Part 351 Page 540 and Part 352/3004/3005 Page 541 (Thread M8)

Part	Article-Nr.	ØA	Colour
325	32501	without pin	Black
325	32551	without pin	Hygienic blue



Used with
Guide rail
 Page 397

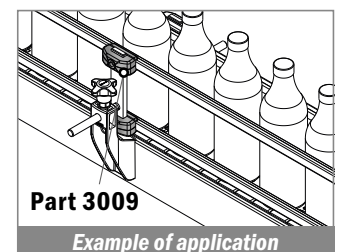
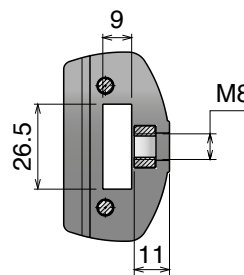
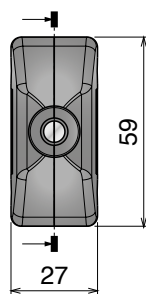
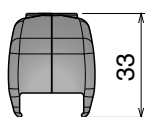


3009 Morsetto singolo per guida laterale Single clamp for side guide / Einfachklemme für Seitenführung

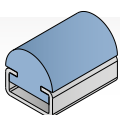
NOW ALSO IN HYGIENIC BLUE

Delivery: **Easy** **Standard** Used with Part 351 Page 540 and Part 352/3004/3005 Page 541 (Thread M8)

Part	Article-Nr.	ØA	Colour
3009	300901	without pin	Black
3009	300902	without pin	Hygienic blue



Used with
PART 134
 Page 436



Materiale / Material / Materialien:

Part. 326: Poliammide / Polyamide / Polyamid

Part. 3013: Acciaio inox / Stainless steel / Edelstahl

Part. 3010: Acciaio inox / Stainless steel / Edelstahl

326-3013-3010

Componenti / Conveyor components / Komponenten

326 Morsetto singolo per guida laterale conica Single clamp for conical side guide / Einfachklemme für konische Seitenführung

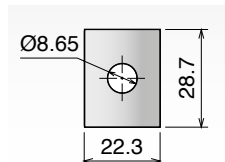
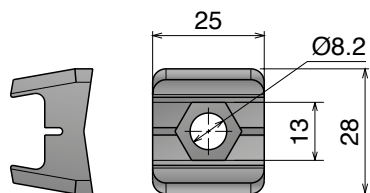
NOW ALSO IN HYGIENIC BLUE

Delivery: **Easy** **Standard**

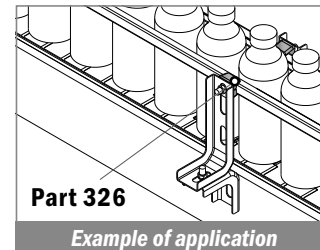
Part Article-Nr. Colour

326 32601 Black

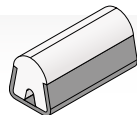
326 32651 Hygienic blue



Reinforced plate 33201
3 mm thickness



Used with
Guide rail
Page 397



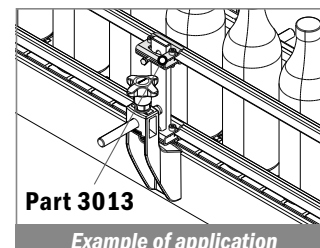
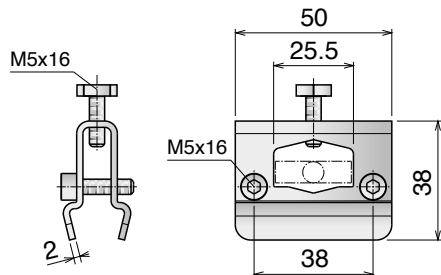
3013 Morsetto singolo per guida laterale conica Single clamp for conical side guide / Einfachklemme für konische Seitenführung

Stainless Steel | AISI 304

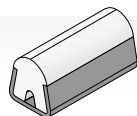
Delivery: **Easy** **Standard** Screws supplied not assembled

Part Article-Nr. Suitable for

3013 301301 ● 12/14/15/16 ■ 25x6/25x8



Used with
Guide rail
Page 397



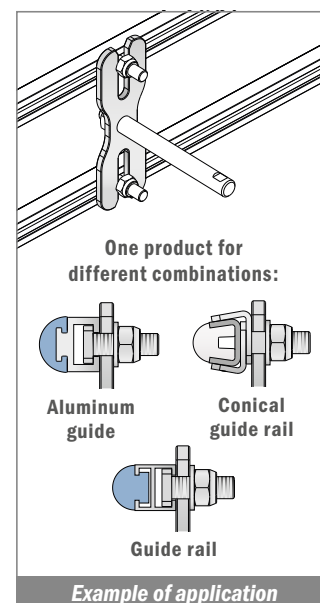
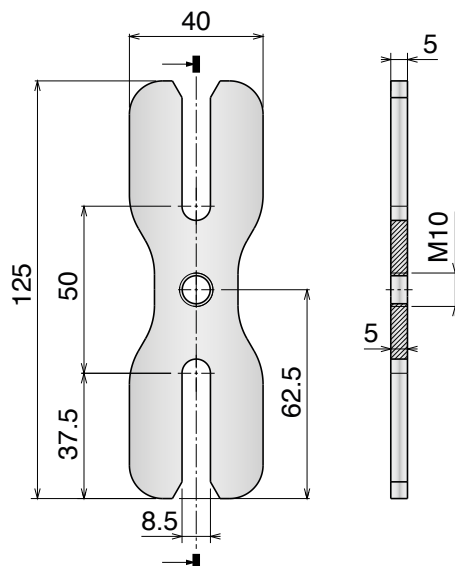
3010 Morsetto doppio regolabile Adjustable double clamp / Einstellbare Doppelklemme

Stainless Steel | AISI 304

Delivery: **Easy** **Standard** Used with Part 351 Page 540 and Part 352 Page 541 (Thread M10)

Part Article-Nr. ØA

3010 301001 without pin



Materiale / Material / Materialien:

Morsetto: PA/Clamp: PA/Klemme: PA

Perno e rondella: Acciaio inox/Pin and washer: Stainless steel/Bolzen und Scheibe: Edelstahl

Dado: ottone nichelato/Nut: nickel plate brass/Mutter: Messing vernickelt

327

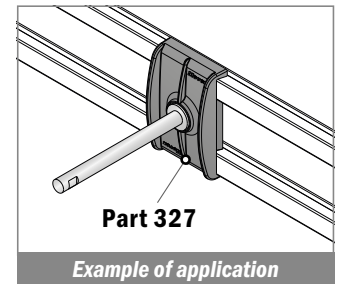
Morsetto doppio per guida laterale conica

Double clamp for conical side guide / Doppelklemme für konische Seitenführung

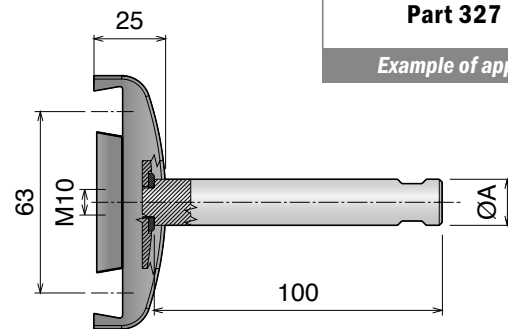
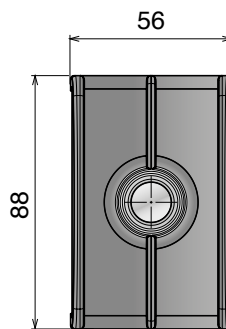
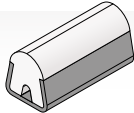
NOW ALSO IN HYGIENIC BLUE

Delivery: **Easy** **Standard** Used with Part 351 Page 540 and Part 352 Page 541 (Thread M10)

Part	Article-Nr.	ØA	Colour
327	32701	without pin	Black
327	32702	12	Black
327	32703	16	Black
327	32751	without pin	Hygienic blue
327	32752	12	Hygienic blue
327	32753	16	Hygienic blue



Used with
Guide rail
Page 397



3012

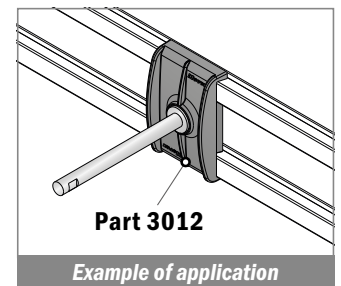
Morsetto doppio per guida laterale

Double clamp for side guide / Doppelklemme für Seitenführung

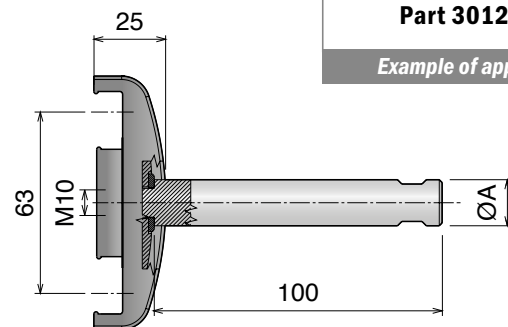
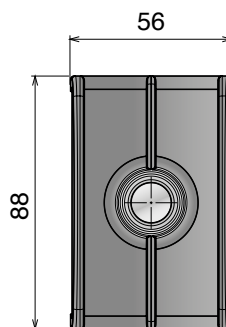
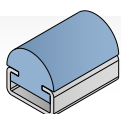
NOW ALSO IN HYGIENIC BLUE

Delivery: **Easy** **Standard** Used with Part 351 Page 540 and Part 352 Page 541 (Thread M10)

Part	Article-Nr.	ØA	Colour
3012	301201	without pin	Black
3012	301202	12	Black
3012	301203	16	Black
3012	301251	without pin	Hygienic blue
3012	301252	12	Hygienic blue
3012	301253	16	Hygienic blue



Used with
PART 134
Page 436



• **Materiale / Material / Materialien:** Morsetti: PA/Clamp: PA/Klemme: PA
 Vite, perno e rondella: Acciaio inox/Screw, pin and washer: Stainless steel
 Schraube, Bolzen und Scheibe: Edelstahl
 Dado: ottone nichelato/Nut: nickel plated brass/Mutter: Messing vernickelt

337-338-339

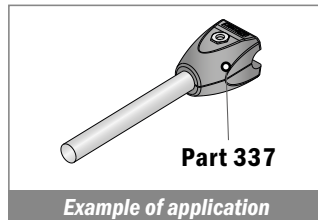
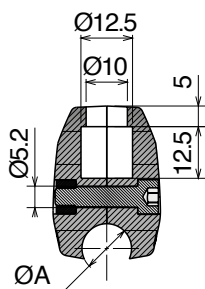
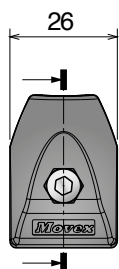
Componenti / Conveyor components / Komponenten

337 Morsetto singolo per tondino Single clamp for round bar / Einfachklemme für Rund Profil

NOW ALSO IN HYGIENIC BLUE

Delivery: **Easy** **Standard** Used with Part 349/350 Page 540 and Part 356 Page 543

Part	Article-Nr.	ØA	Colour
337	33701	10	Black
337	33702	12	Black
337	33751	10	Hygienic blue
337	33752	12	Hygienic blue

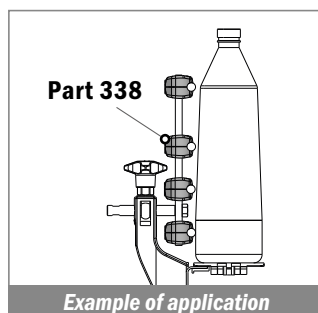
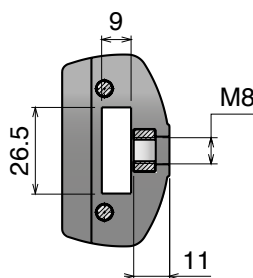
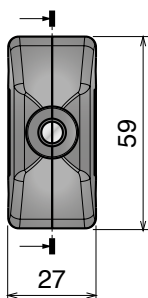
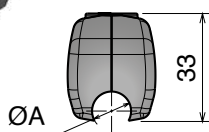


338 Morsetto singolo per tondino Single clamp for round bar / Einfachklemme für Rund Profil

NOW ALSO IN HYGIENIC BLUE

Delivery: **Easy** **Standard** Used with Part 351 Page 540 and Part 352/3004/3005 Page 541 (Thread M8)

Part	Article-Nr.	ØA	Colour
338	33801	10	Black
338	33802	12	Black
338	33851	10	Hygienic blue
338	33852	12	Hygienic blue

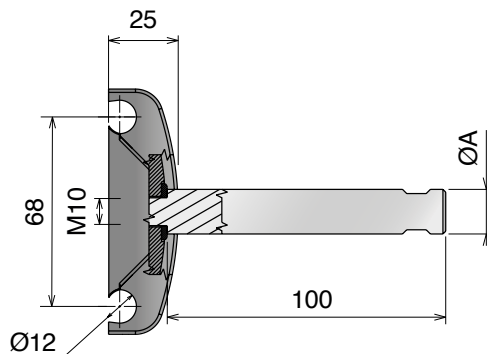
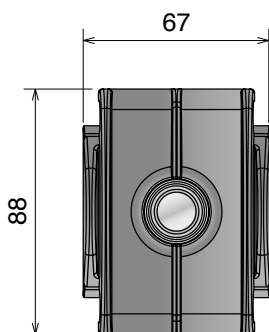
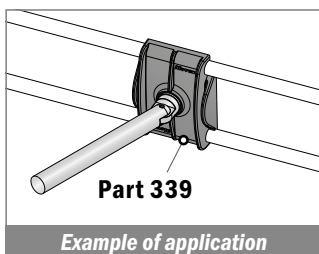


339 Morsetto doppio per tondino Double clamp for round bar / Doppelklemme für Rund Profil

NOW ALSO IN HYGIENIC BLUE

Delivery: **Easy** **Standard** Used with Part 351 Page 540 and Part 352 Page 541 (Thread M10)

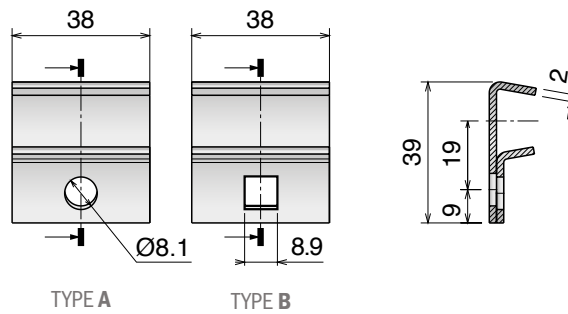
Part	Article-Nr.	ØA	Colour
339	33901	without pin	Black
339	33902	12	Black
339	33904	14	Black
339	33903	16	Black
339	33951	without pin	Hygienic blue
339	33952	12	Hygienic blue
339	33954	14	Hygienic blue
339	33953	16	Hygienic blue



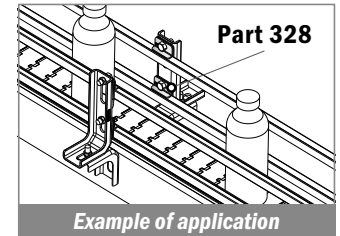
328

Morsetto singolo per guida laterale conica
Single clamp for conical side guide / Einfachklemme für konische Seitenführung

Delivery: **Easy** **Standard** Used with Guide rail Page 397



Part	Article-Nr.	Material	Type
328	32801	AISI 304	A
328	32802	AISI 304	B
328	32811	AISI 316	A

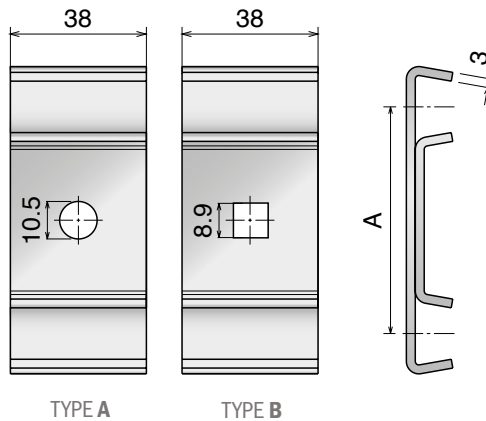


Example of application

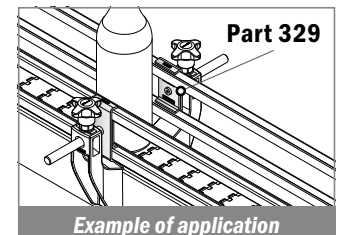
329

Morsetto doppio per guida laterale conica
Double clamp for conical side guide / Doppelklemme für konische Seitenführung

Delivery: **Easy** **Standard** Used with Guide rail Page 397



Part	Article-Nr.	A	Type
329	32904	50,0	A
329	32901	63,5	A
329	32902	82,55	A
329	32903	95,25	A
329	32911	63,5	B
329	32912	82,55	B
329	32913	95,25	B

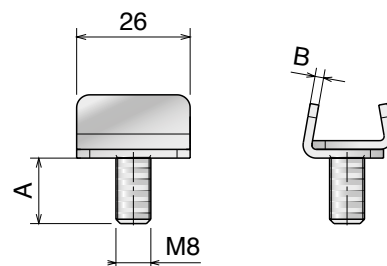


Example of application

330

Morsetto singolo per guida laterale conica
Single clamp for conical side guide / Einfachklemme für konische Seitenführung

Delivery: **Easy** **Standard** Used with Guide rail Page 397

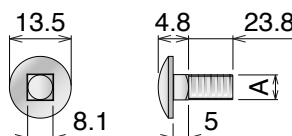


Part	Article-Nr.	A	B	Used with
330	33001	15	2	Guide rail with 1.5 mm thick SS profile
330	33003	20		
330	33002	25		
330	33004	30		
330	33011	15	2.5	Guide rail with 1.9 mm thick SS profile
330	33013	20		
330	33012	25		
330	33014	30		

362

Vite con quadro sotto testa sferica
Bolt with round head and square neck / Flachrundschraube mit Vierkantansatz

Delivery: **Easy** **Standard** Used with Part 328 and Part 329 (See above)



Part	Article-Nr.	A
362	36271	M8

Materiale / Material / Materialien: Acciaio inox/Stainless steel/Edelstahl
 Morsetto: Resina acetica/Clamp: Acetal resin/Klemme: Azetal
 Vite, perno e dado: Acciaio inox/Screw, pin and nut: Stainless steel
 Schraube, Bolzen und Mutter: Edelstahl

390-392-393-336

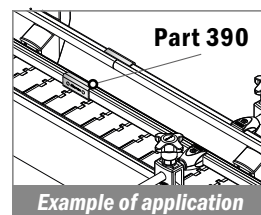
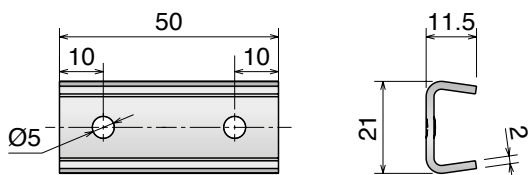
Componenti / Conveyor components / Komponenten

390 Elemento di giunzione Connecting element / Verbinder

Delivery: **Easy** **Standard** Used with Guide rail Page 397

Part Article-Nr.

390 39001



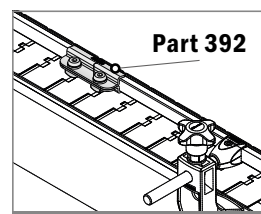
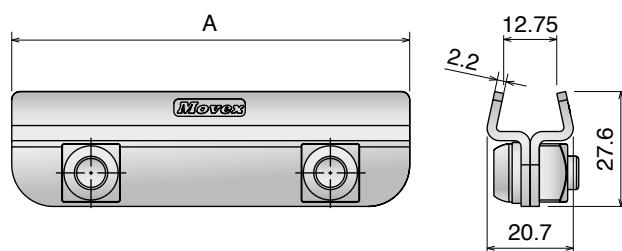
Example of application

392 Elemento di connessione Connecting clamp / Verbindungsklemme

Delivery: **Easy** **Standard** Used with Guide rail Page 397

Part Article-Nr. A

392	39201	75
392	39202	100
392	39203	150



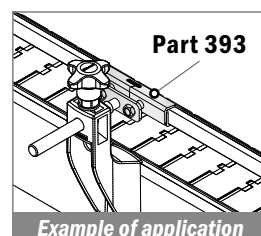
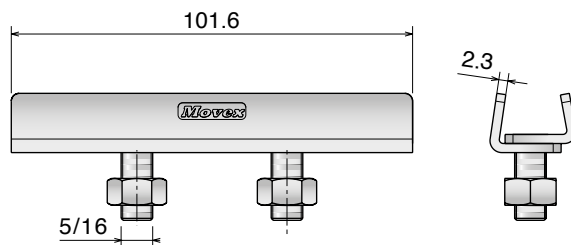
Example of application

393 Elemento di connessione Connecting clamp / Verbindungsklemme

Delivery: **Easy** **Standard** Used with Guide rail Page 397

Part Article-Nr.

393 39302



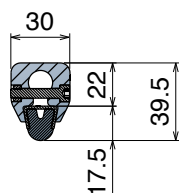
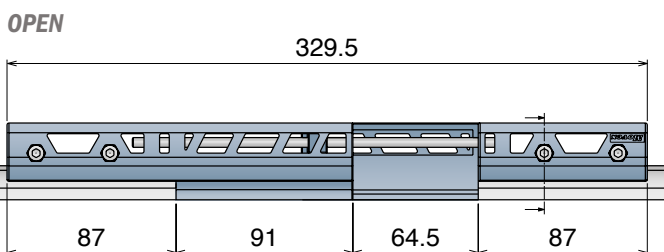
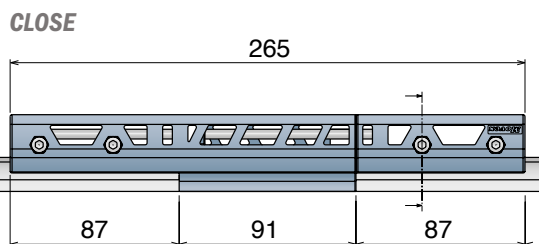
Example of application

336 Morsetto regolabile guide coniche Adjustable clamp for conical guide / verstellbare Klemme für konische Führungen

Delivery: **Easy** **Standard** Used with Guide rail Page 397

Part Article-Nr.

336 33601

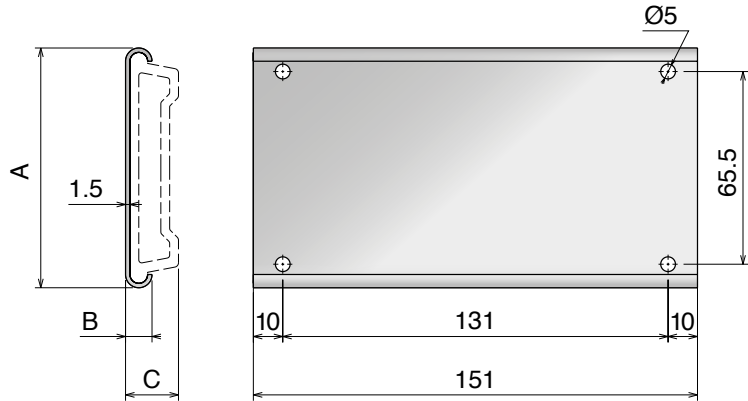


• **Materiale / Material / Materialien:** Acciaio inox/Stainless steel/Edelstahl
 Morsetto: PA/Clamp: PA/Klemme: PA
 Vite, perno e rondella: Acciaio inox/Screw, pin and washer: Stainless steel/Schraube, Bolzen und Scheibe: Edelstahl
 Dado: ottone nichelato/Nut: nickel plated brass/Mutter: Messing vernickelt

394 Morsetto di giunzione Joint clamp / Verbindungsplatte

Delivery: **Easy** **Standard** Used with Part 135/136 Page 457

Part	Article-Nr.	A	B	C
394	39401	81,5	9	18
394	39402	90	8	17



341 Morsetto Clamp / Klemme

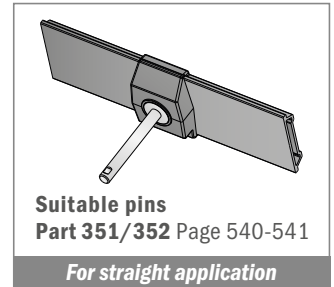
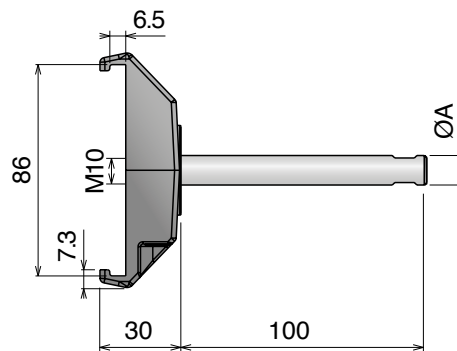
Delivery: **Easy** **Standard** Versions without pins don't include nuts and washer too

NOW ALSO IN HYGIENIC BLUE

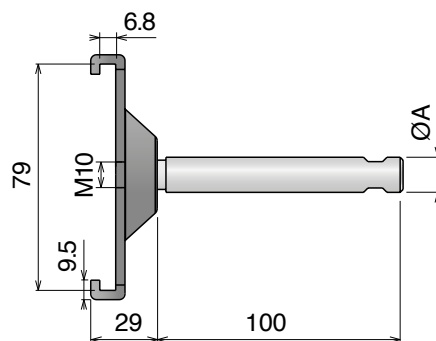
Part	Article-Nr.	ØA	Colour
341	34101	without pin	Black
341	34102	12	Black
341	34103	16	Black
341	34151	without pin	Hygienic blue
341	34152	12	Hygienic blue
341	34153	16	Hygienic blue



TYPE A
Used with Part 136 Page 457

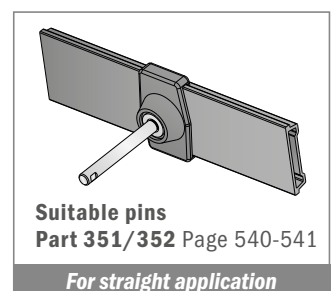


TYPE B
Used with Part 135 Page 457



NOW ALSO IN HYGIENIC BLUE

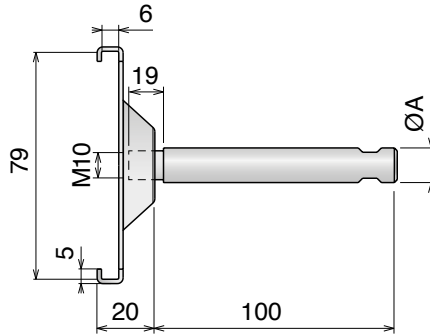
Part	Article-Nr.	ØA	Colour
341	34111	without pin	Black
341	34112	12	Black
341	34113	16	Black
341	34161	without pin	Hygienic blue
341	34162	12	Hygienic blue
341	34163	16	Hygienic blue



Materiale / Material / Materialien:
 Morsetto: Acciaio inox/ Clamp: SS/Klemme: Edelstahl
 Perno: Acciaio inox/ Pin: SS/Blozen: Edelstahl

3310 Morsetto acciaio inox Clamp, stainless steel / Klemme, Edelstahl

Delivery: **Easy** **Standard** Used with Part 135 Page 457 - Suitable pins Part 351/352 Page 540-541

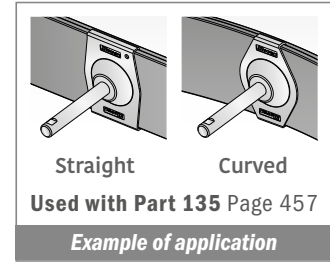


For straight application

Part	Article-Nr.	ØA
3310	33101	without pin
3310	33102	12
3310	33103	16

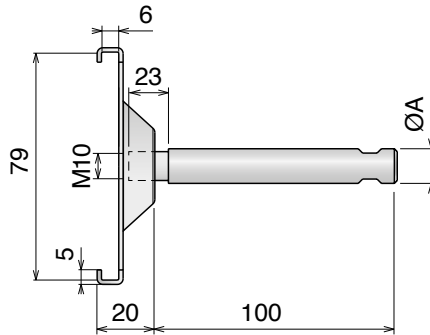
For curved application

Part	Article-Nr.	ØA
3310	33105	without pin
3310	33106	12
3310	33107	16



3311 Morsetto acciaio inox Clamp, stainless steel / Klemme, Edelstahl

Delivery: **Easy** **Standard** Suitable pins Part 3004/3005 Page 541

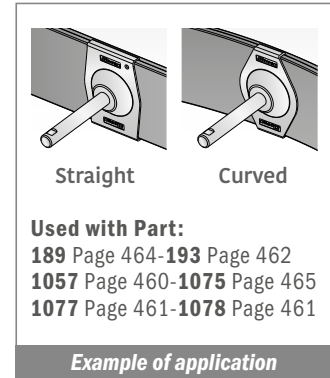


For straight application

Part	Article-Nr.	ØA
3311	33112	12
3311	33113	16

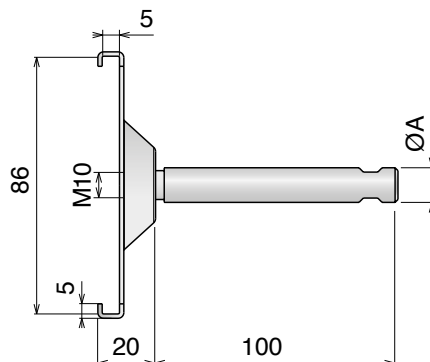
For curved application

Part	Article-Nr.	ØA
3311	33116	12
3311	33117	16

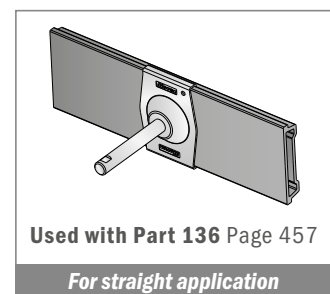


345 Morsetto acciaio inox Clamp, stainless steel / Klemme, Edelstahl

Delivery: **Easy** **Standard** Suitable pins Part 351/352 Page 540-541



Part	Article-Nr.	ØA
345	34501	without pin
345	34502	12
345	34503	16

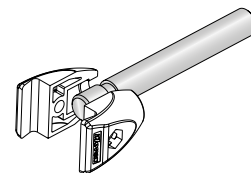


349 Perno Rod / Bolzen

Delivery: **Easy** **Standard**



Part	Article-Nr.	A
349	34901	80
349	34902	100
349	34903	150

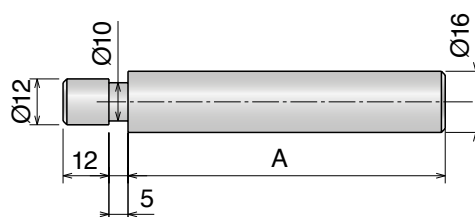


Used with Part:
324 Page 532 - 337 Page 535

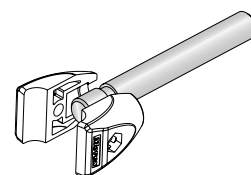
Example of application

350 Perno Rod / Bolzen

Delivery: **Easy** **Standard**



Part	Article-Nr.	A
350	35001	80
350	35002	100
350	35003	150



Used with Part:
324 Page 532 - 337 Page 535

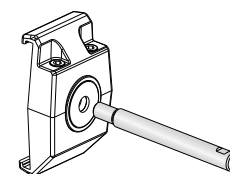
Example of application

351 Perno Rod / Bolzen

Delivery: **Easy** **Standard**



Part	Article-Nr.	A	B
351	35101	80	M10
351	35102	100	M10
351	35103	150	M10
351	35151	80	M8
351	35152	100	M8
351	35153	150	M8

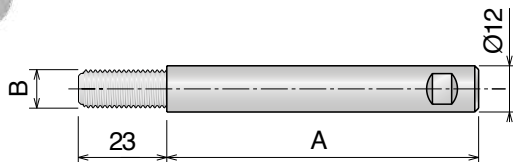


Used with Part:
327 Page 554 - 341 Page 538
345 Page 539 - 3310 Page 539

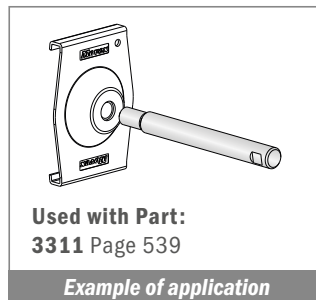
Example of application

3004 Perno Rod / Bolzen

Delivery: **Easy** **Standard**

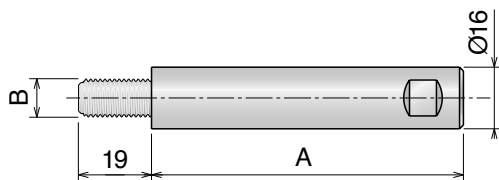


Part	Article-Nr.	A	B
3004	300401	80	M10
3004	300402	100	M10
3004	300403	150	M10
3004	300451	80	M8
3004	300452	100	M8
3004	300453	150	M8

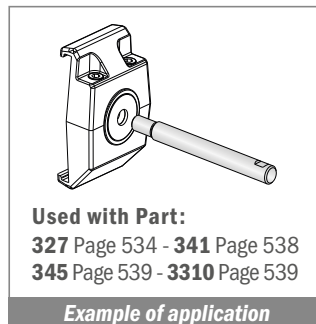


352 Perno Rod / Bolzen

Delivery: **Easy** **Standard**

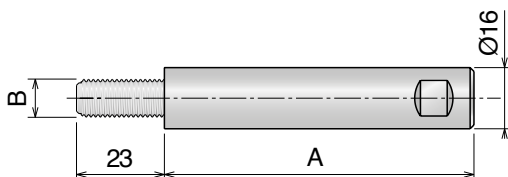


Part	Article-Nr.	A	B
352	35201	80	M10
352	35202	100	M10
352	35203	150	M10
352	35251	80	M8
352	35252	100	M8
352	35253	150	M8

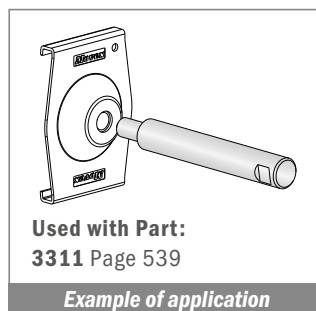


3005 Perno Rod / Bolzen

Delivery: **Easy** **Standard**

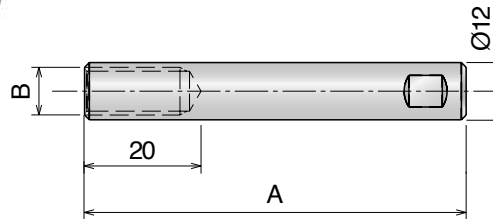


Part	Article-Nr.	A	B
3005	300501	80	M10
3005	300502	100	M10
3005	300503	150	M10
3005	300551	80	M8
3005	300552	100	M8
3005	300553	150	M8

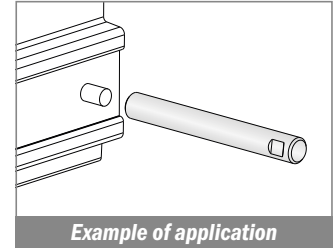


347 Perno filettato femmina Rod / Bolzen

Delivery: **Easy** **Standard**

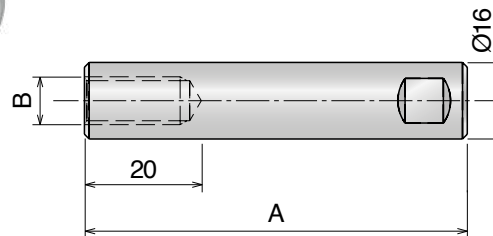


Part	Article-Nr.	A	B
347	34701	80	M10
347	34702	100	M10
347	34703	150	M10
347	34751	80	M8
347	34752	100	M8
347	34753	150	M8

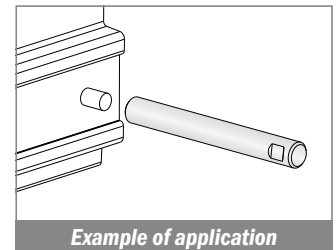


348 Perno filettato femmina Rod / Bolzen

Delivery: **Easy** **Standard**

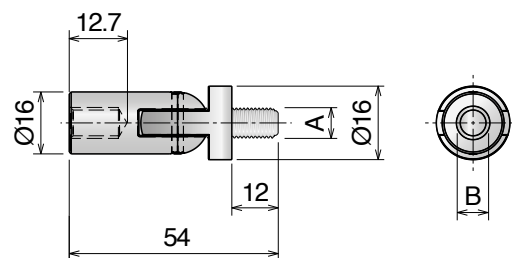


Part	Article-Nr.	A	B
348	34801	80	M10
348	34802	100	M10
348	34803	150	M10
348	34851	80	M8
348	34852	100	M8
348	34853	150	M8

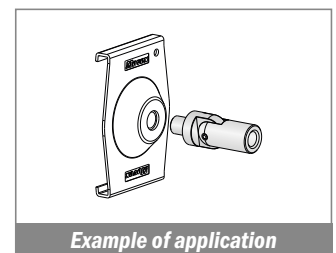


346 Snodo Joint rod adapter / Gelenk

Delivery: **Easy** **Standard**



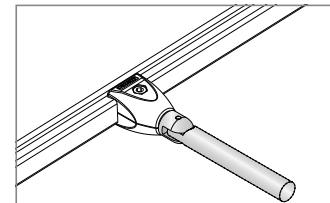
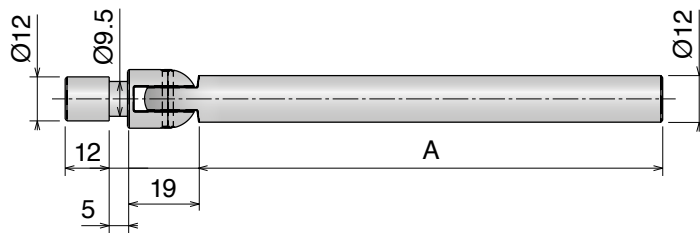
Part	Article-Nr.	A	B
346	34699	M8	M8
346	34602	M8	M10
346	34603	M10	M10



356 Perno snodato Jointed rods / Gelenkbolzen

Delivery: **Easy** **Standard**

Part	Article-Nr.	A
356	35601	80
356	35602	100
356	35603	150



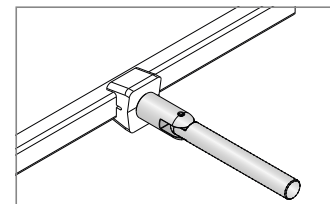
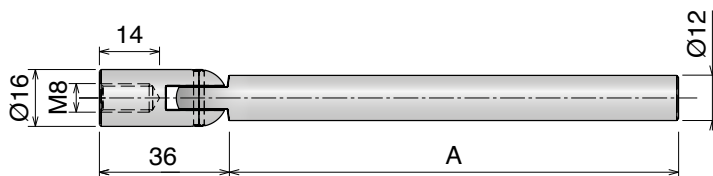
Used with Part:
 324 Page 532
 337 Page 535

Example of application

357 Perno snodato Jointed rods / Gelenkbolzen

Delivery: **Easy** **Standard**

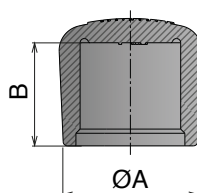
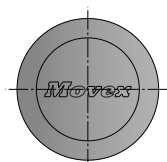
Part	Article-Nr.	A
357	35701	80
357	35702	100
357	35703	150



Example of application

3011 Cappucci terminali End caps / Abdeckstopfen

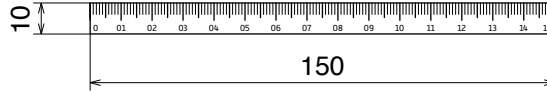
Delivery: **Easy** **Standard**



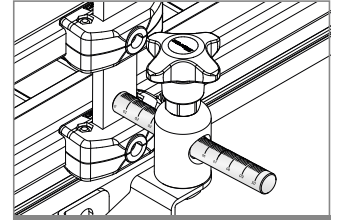
Part	Article-Nr.	ØA	B	Colour	Box
3011	301101A	Ø12	12,3	Black	100 pcs
3011	301102A	Ø14	12,8	Black	100 pcs
3011	301103A	Ø16	16,4	Black	100 pcs
3011	301104A	Ø20	20,1	Black	100 pcs
3011	301101B	Ø12	12,3	Yellow	100 pcs
3011	301102B	Ø14	12,8	Yellow	100 pcs
3011	301103B	Ø16	16,4	Yellow	100 pcs
3011	301104B	Ø20	20,1	Yellow	100 pcs
3011	301101C	Ø12	12,3	Hygienic blue	100 pcs
3011	301102C	Ø14	12,8	Hygienic blue	100 pcs
3011	301103C	Ø16	16,4	Hygienic blue	100 pcs
3011	301104C	Ø20	20,1	Hygienic blue	100 pcs

NEW 3099 *Righello metrico adesivo*
Adhesive back metric rule / Lineal zum Aufkleben (Metrisch)

Delivery: **Easy** **Standard**



Part	Article-Nr.	Color	Sheet
3099	309999	White	26 pcs
3099	309999T	Transparent	26 pcs
3099	309999Y	Yellow	26 pcs



Example of application

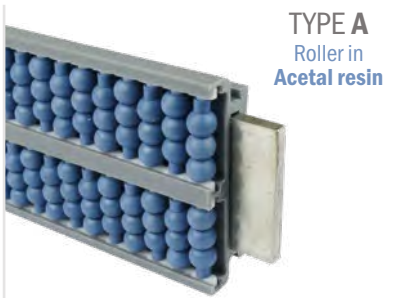
Materiale / Material / Materialien:

Polietilene HMW-PE / Polyethylene HMW-PE / Polyethylen HMW-PE
 Rulli: resina acetaltica o gomma SEBS / Rollers: Acetal Resin or SEBS rubber / Röllchen: Azetal oder SEBS gummi

335 Guide a rulli laterale Roller guides / Röllchenführung

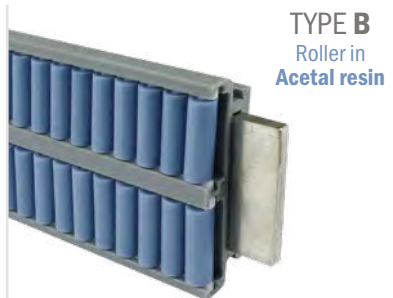
PATENTED

Max fixing load M8 screw: 15 N·m | Minimum internal/external radius: 305 mm



TYPE A
 Roller in
 Acetal resin

Part	Article-Nr.	Type
335	33502	A



TYPE B
 Roller in
 Acetal resin

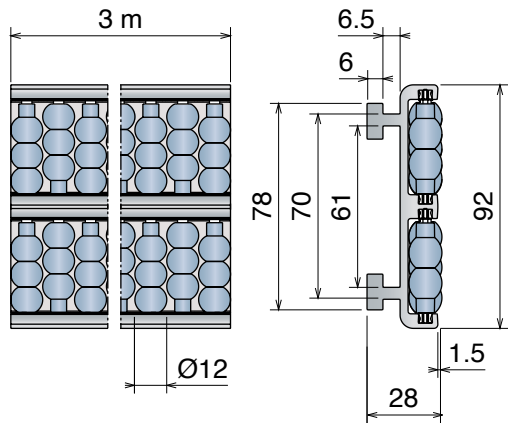
Part	Article-Nr.	Type
335	33504	B



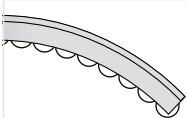
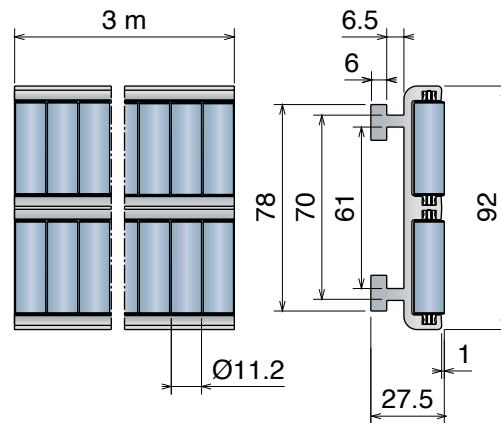
TYPE B1
 Soft roller in
 SEBS rubber

Part	Article-Nr.	Type
335	33506	B1

Design TYPE A



Design TYPE B and B1

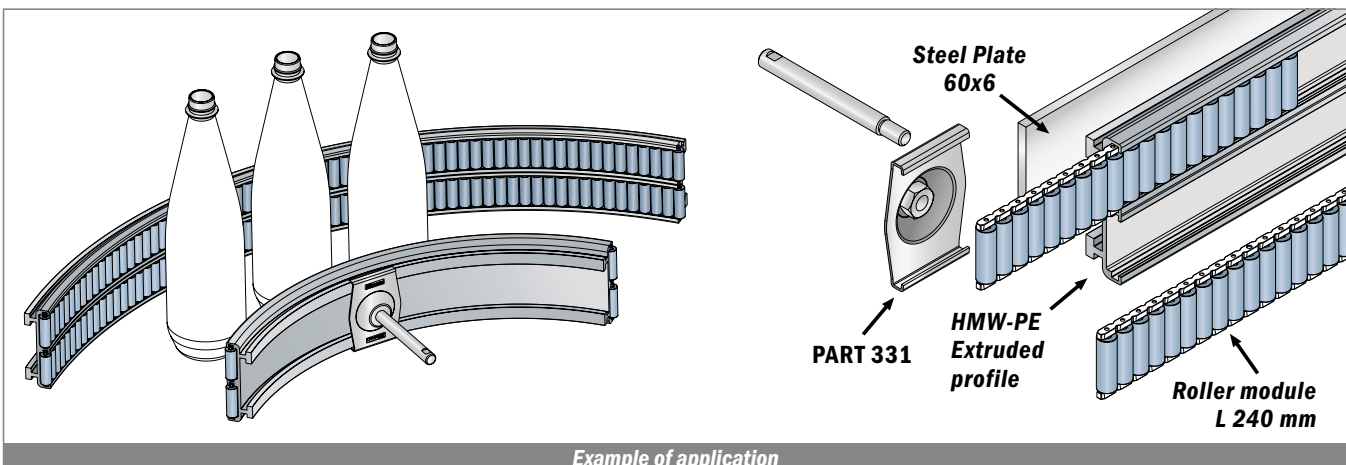


These roller guides can be curved in either directions.

Bending machine and Rollers
 Page 484 >> 486



Fixing screw:
 M8 hex.head
 or **PART 362**
 Page 558

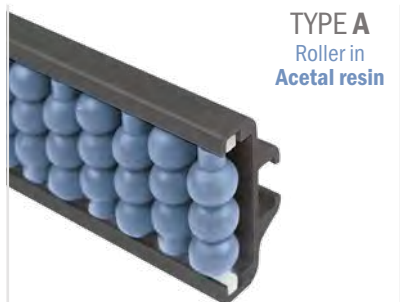


Example of application

Materiale / Material / Materialien:
 Polietilene HMW-PE / Polyethylene HMW-PE / Polyethylen HMW-PE
 Rulli: resina acetatica o gomma SEBS / Rollers: Acetal Resin or SEBS
 rubber / Röllchen: Azetal oder SEBS gummi

NEW 358 Guide a rulli laterale Roller guides / Röllchenführung

Delivery: **Easy** **Standard** Max fixing load M8 screw: 15 Nm | Minimum internal/external radius: 460 mm



TYPE A
 Roller in
 Acetal resin

Part	Article-Nr.	Type
358	35822	A



TYPE B
 Roller in
 Acetal resin

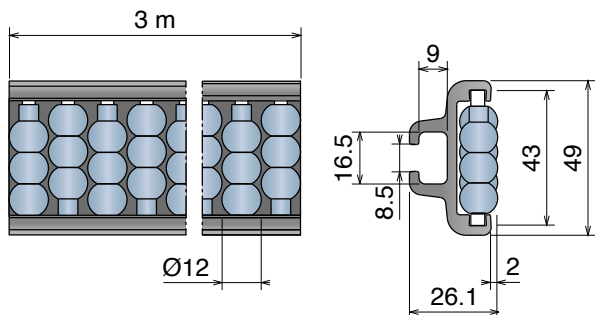
Part	Article-Nr.	Type
358	35824	B



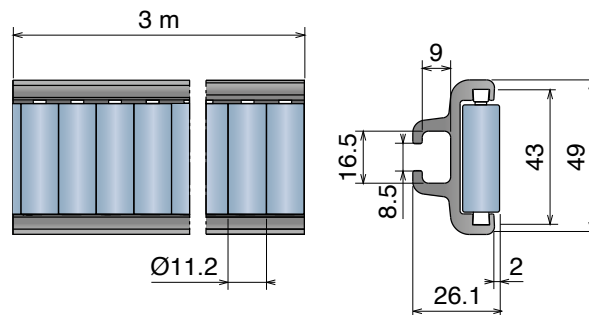
TYPE B1
 Soft roller in
 SEBS rubber

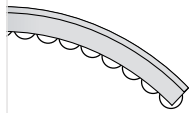
Part	Article-Nr.	Type
358	35826	B1

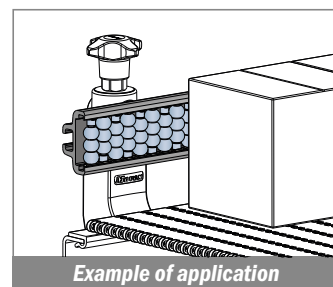
Design TYPE A



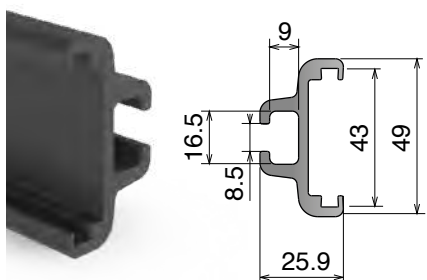
Design TYPE B and B1



 These roller guides can be curved in either directions.
Bending machine and Rollers Page 484>>486



Spare parts and Shoe



Article-Nr.	Material	Supply
35820EC	Polyethylene HMW-PE	3 m bars



Used also with reinforced version
 (see next page)

Article-Nr.	Type
36401	fresato/machined/gefräst

Used with
PART 395
 Page 558



Materiale / Material / Materialien:

Polietilene HMW-PE / Polyethylene HMW-PE / Polyethylen HMW-PE

Rulli: Resina acetica o gomma SEBS / Rollers: Acetal Resin or SEBS rubber / Röllchen: Azetal oder SEBS gummi

Profilo di metallo: Acciaio inox / Metal profile: Stainless steel / Metallprofil: Edelstahl

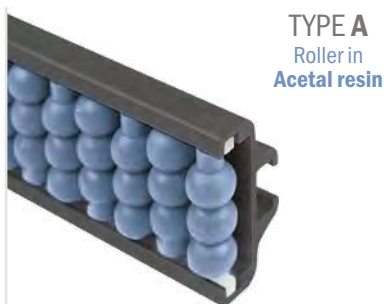
NEW

358

Guide a rulli laterale
Roller guides / Röllchenführung

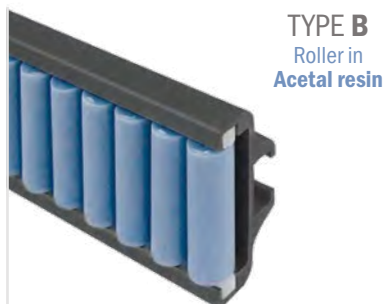
REINFORCED VERSION

Delivery: **Easy** **Standard** Max fixing load M8 screw: 15 N·m | Minimum internal/external radius: 460 mm



TYPE A
Roller in
Acetal resin

Part	Article-Nr.	Type
358	35822H	A



TYPE B
Roller in
Acetal resin

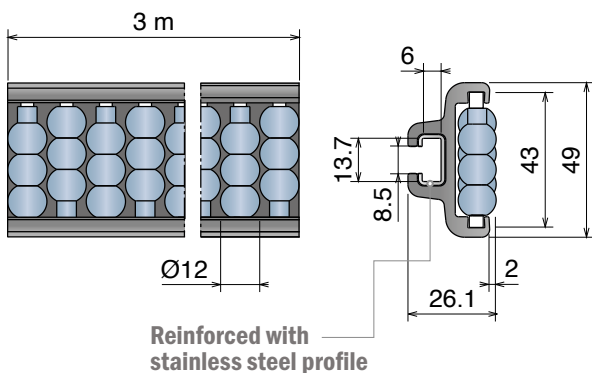
Part	Article-Nr.	Type
358	35824H	B



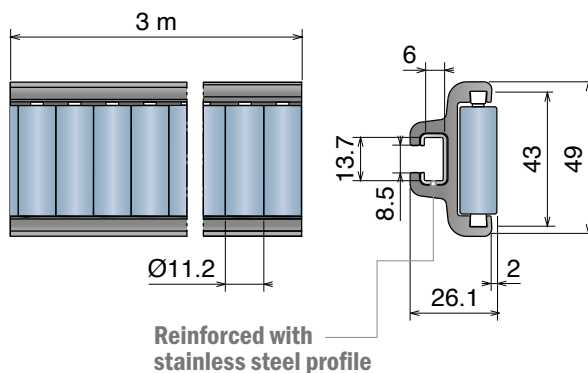
TYPE B1
Soft roller in
SEBS rubber

Part	Article-Nr.	Type
358	35826H	B1

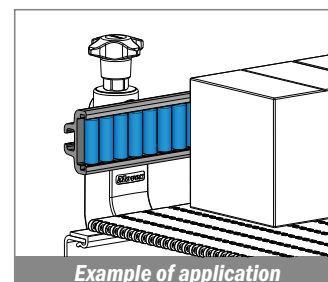
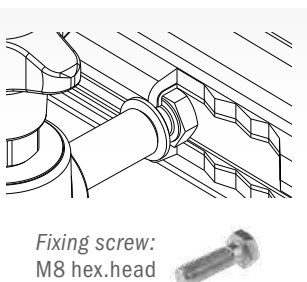
Design TYPE A



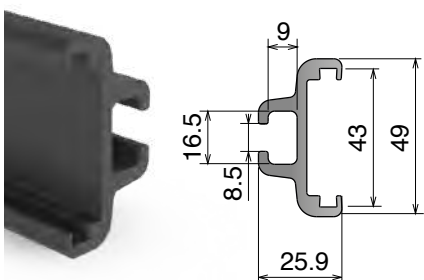
Design TYPE B and B1



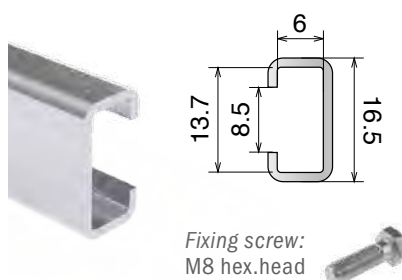
These roller guides can be curved in either directions.
Bending machine and Rollers Page 484>>486



Spare parts



Article-Nr.	Material	Supply
35820EC	Polyethylene HMW-PE	3 m bars



Article-Nr.	Material	Supply
35820C	Stainless steel	3 m bars

Used with
PART 395
Page 558



Materiale / Material / Materialien:

Guida: alluminio anodizzato/Guide: anodized aluminum/Führung: eloxiertem Aluminium

Rulli: resina acetica o gomma SEBS/Rollers: Acetal Resin or SEBS rubber/Röllchen: Azetal oder SEBS gummi

Vite: Acciaio inox/Screw: Stainless steel/Schrauben: Edelstahl

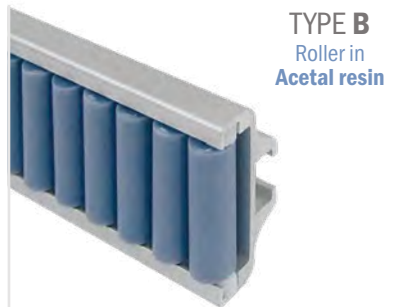
358 Guide a rulli laterale Roller guides / Röllchenführung

Delivery: **Easy** **Standard** Max fixing load M8 screw: 15 N m | Minimum internal/external radius: 460 mm



TYPE A
Roller in
Acetal resin

Part	Article-Nr.	Type
358	35802	A



TYPE B
Roller in
Acetal resin

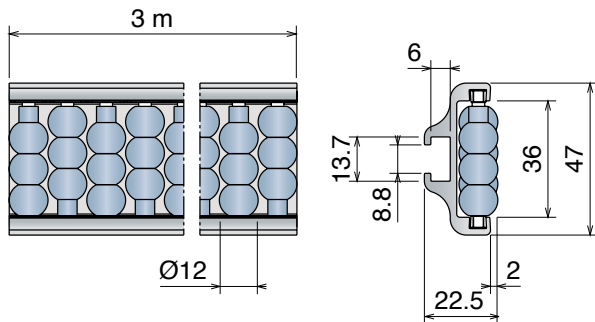
Part	Article-Nr.	Type
358	35804	B



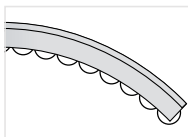
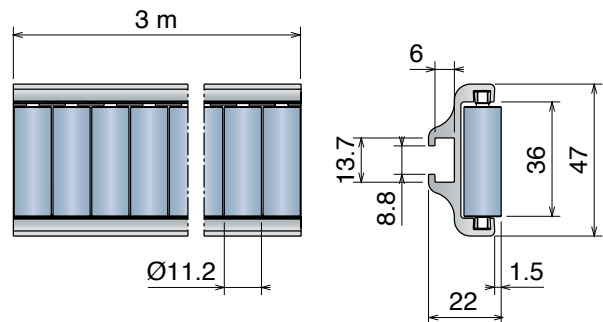
TYPE B1
Soft roller in
SEBS rubber

Part	Article-Nr.	Type
358	35806	B1

Design TYPE A



Design TYPE B and B1



These roller guides can be curved in either directions.

Bending machine and Rollers

Page 484>>486



Fixing screw:
M8 hex.head
or **PART 362**
Page 558



Puntale / Shoe / Einlaufschuh



Part	Article-Nr.	Type
364	36401	fresato/machined/gefräst

Discover more options:
Page 554/555

Materiale / Material / Materialien:

Guida: alluminio anodizzato / Guide: anodized aluminum / Führung: eloxiertem Aluminium
 Rulli: resina acetilica o gomma SEBS / Rollers: Acetal Resin or SEBS rubber / Röllchen: Azetal oder SEBS gummi
 Vite: Acciaio inox / Screw: Stainless steel / Schrauben: Edelstahl

359

Guide a rulli laterale Roller guides / Röllchenführung

Delivery: **Easy** **Standard** Max fixing load M8 screw: 15 N·m | Minimum internal/external radius: 508 mm



TYPE A
Roller in
Acetal resin

Part	Article-Nr.	Type
359	35902	A



TYPE B
Roller in
Acetal resin

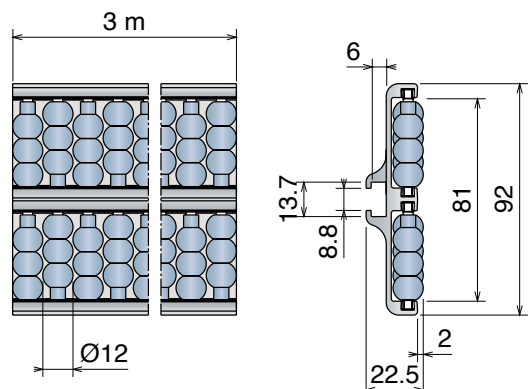
Part	Article-Nr.	Type
359	35904	B



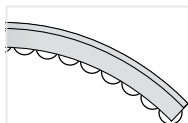
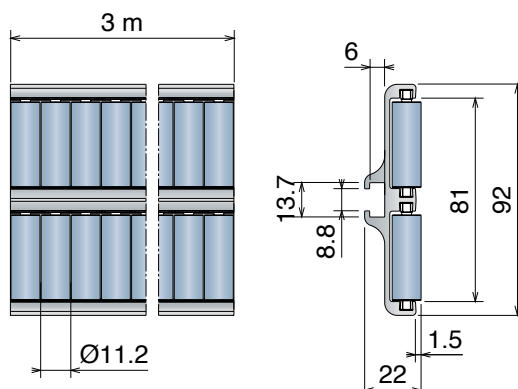
TYPE B1
Soft roller in
SEBS rubber

Part	Article-Nr.	Type
359	35906	B1

Design TYPE A



Design TYPE B and B1



These roller guides can be curved in either directions.

Bending machine and Rollers
Page 484>>486



Fixing screw:
M8 hex.head
or **PART 362**
Page 558



Puntale / Shoe / Einlaufschuh



Part	Article-Nr.	Type
365	36501	fresato/machined/gefräst

Discover more options:
Page 554/555


Materiale / Material / Materialien:

Guida: alluminio anodizzato / Guide: anodized aluminum / Führung: eloxiertem Aluminium
 Rulli: resina acetica o gomma SEBS / Rollers: Acetal Resin or SEBS rubber / Röllchen: Azetal oder SEBS gummi

360 Guide a rulli intermedia Roller guides / Röllchenführung


Delivery: **Easy** **Standard** Max fixing load M8 screw: 15 Nm | Minimum internal/external radius: 610 mm

TYPE A
 Roller in Acetal resin




Part	Article-Nr.	Type
360	36002	A

TYPE B
 Roller in Acetal resin



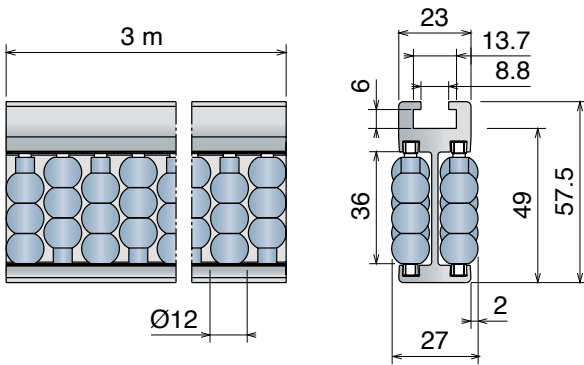
Part	Article-Nr.	Type
360	36004	B

TYPE B1
 Soft roller in SEBS rubber

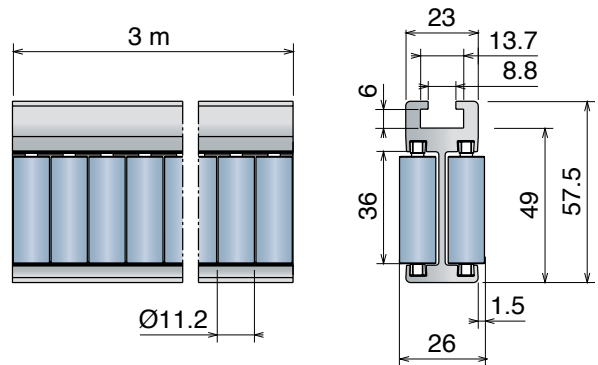


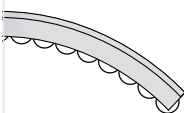
Part	Article-Nr.	Type
360	36006	B1

Design TYPE A



Design TYPE B and B1



 These roller guides can be curved in either directions.

Bending machine and Rollers
 Page 484 >> 486



Fixing screw:
 M8 hex.head
 or **PART 362**
 Page 558



Puntale / Shoe / Einlaufschuh



Part	Article-Nr.	Type
366	36601	fresato/machined/gefräst

Discover more options:
 Page 554/555

Materiale / Material / Materialien:

Guida: alluminio anodizzato / Guide: anodized aluminum / Führung: eloxiertem Aluminium
 Rulli: resina acetilica o gomma SEBS / Rollers: Acetal Resin or SEBS rubber / Röllchen: Azetal oder SEBS gummi

360 Guide a rulli intermedia
 Roller guides / Röllchenführung

REINFORCED VERSION

Max fixing load M8 screw: 15 N·m



TYPE A

Part	Article-Nr.	Type
360	36012	A



TYPE B

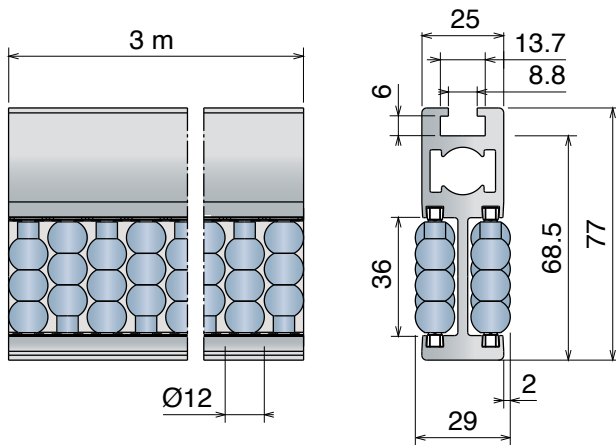
Part	Article-Nr.	Type
360	36014	B



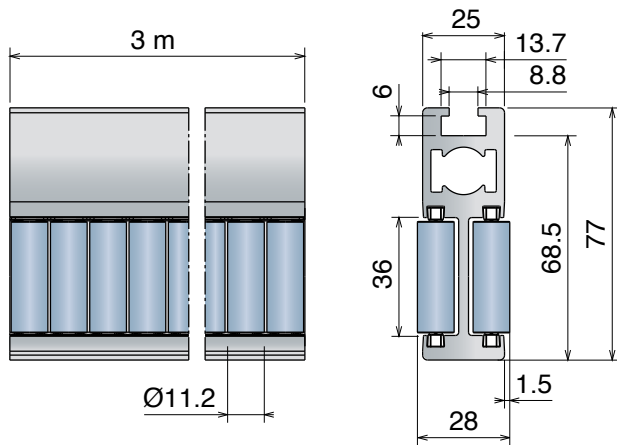
TYPE B1

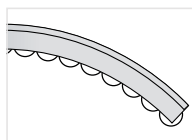
Part	Article-Nr.	Type
360	36016	B1

Design TYPE A



Design TYPE B and B1

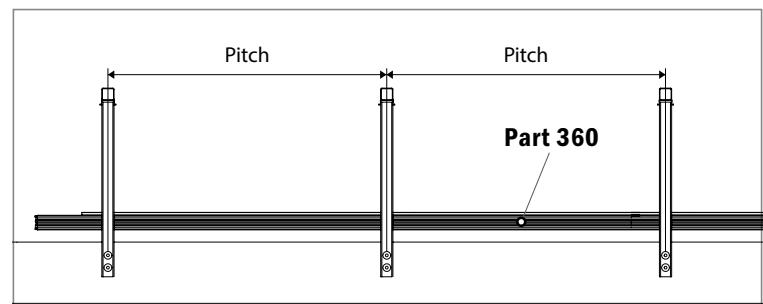


 These roller guides can be curved in either directions.

Bending machine and Rollers
 Page 484 >> 486



Fixing screw:
 M8 hex.head or **PART 362**
 Page 558



Part 360 Reinforced version is a reliable roller guides solution, the new robust design permits less support elements and allows higher pitches.

Example of application

Materiale / Material / Materialien:

Guida: alluminio anodizzato / Guide: anodized aluminum / Führung: eloxiertem Aluminium
 Rulli: resina acetalica o gomma SEBS / Rollers: Acetal Resin or SEBS rubber / Röllchen: Azetal oder SEBS gummi

361 Guide a rulli intermedia Roller guides / Röllchenführung

Delivery: **Easy** **Standard** Max fixing load M8 screw: 15 Nm | Minimum internal/external radius: 610 mm



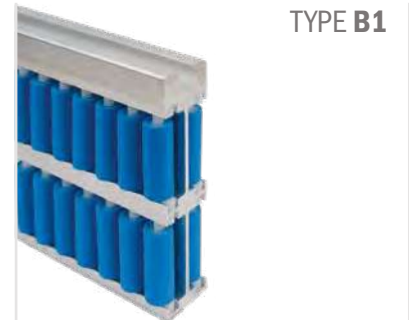
TYPE A

Part	Article-Nr.	Type
361	36102	A



TYPE B

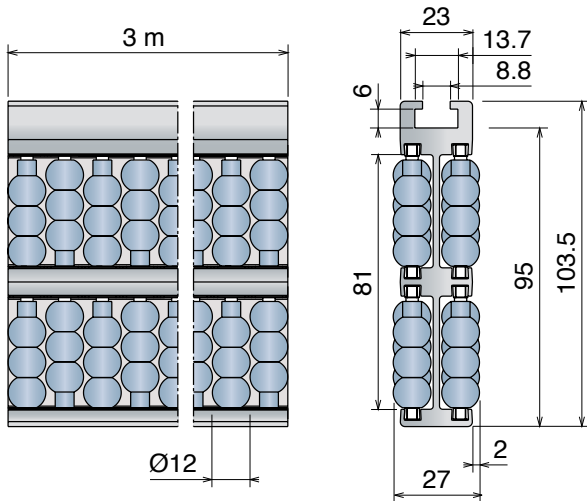
Part	Article-Nr.	Type
361	36104	B



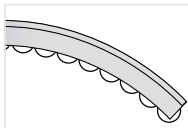
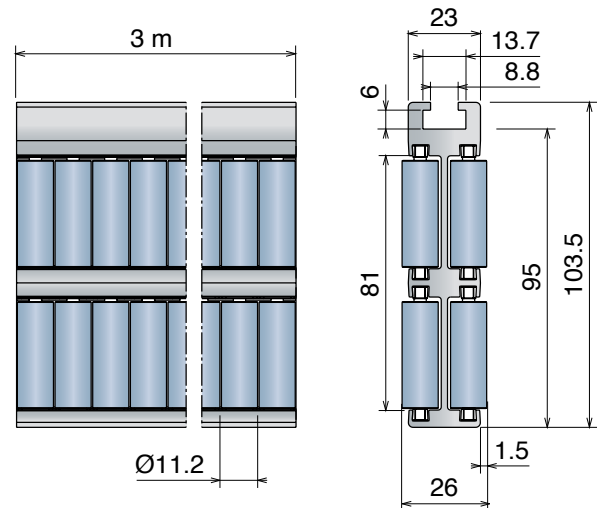
TYPE B1

Part	Article-Nr.	Type
361	36106	B1

Design TYPE A



Design TYPE B and B1



These roller guides can be curved in either directions.

Bending machine and Rollers
 Page 484 >> 486



Fixing screw:
 M8 hex.head
 or **PART 362**
 Page 558



Puntale / Shoe / Einlaufschuh



Part	Article-Nr.	Type
367	36701	fresato/machined/gefräst

Discover more options:
 Page 554/555

Materiale / Material / Materialien:

Guida: alluminio anodizzato / Guide: anodized aluminum / Führung: eloxiertem Aluminium
 Rulli: resina acetilica o gomma SEBS / Rollers: Acetal Resin or SEBS rubber / Röllchen: Azetal oder SEBS gummi

361 Guide a rulli intermedia Roller guides / Röllchenführung

REINFORCED VERSION

Delivery: **Easy** **Standard** Max fixing load M8 screw: 15 N·m



TYPE A
 Roller in
 Acetal resin

Part	Article-Nr.	Type
361	36112	A



TYPE B
 Roller in
 Acetal resin

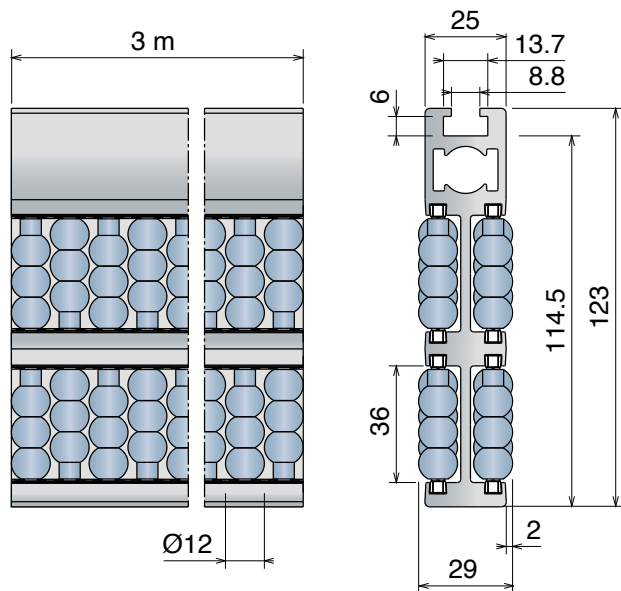
Part	Article-Nr.	Type
361	36114	B



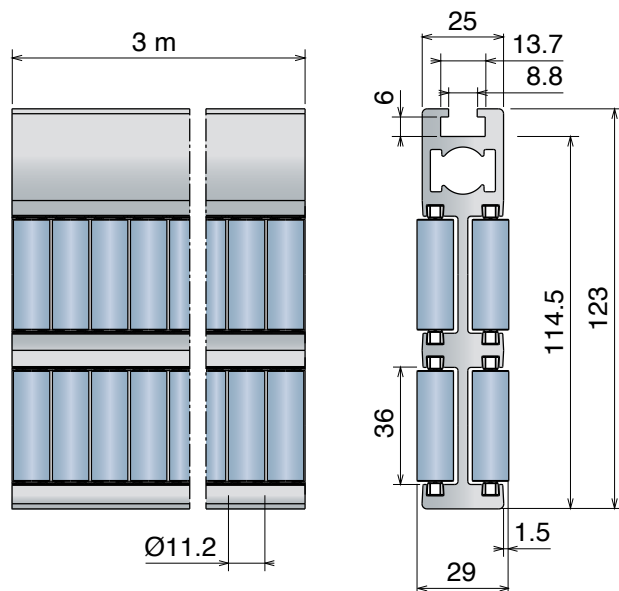
TYPE B1
 Soft roller in
 SEBS rubber

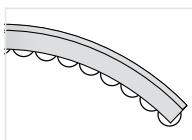
Part	Article-Nr.	Type
361	36116	B1

Design TYPE A



Design TYPE B and B1

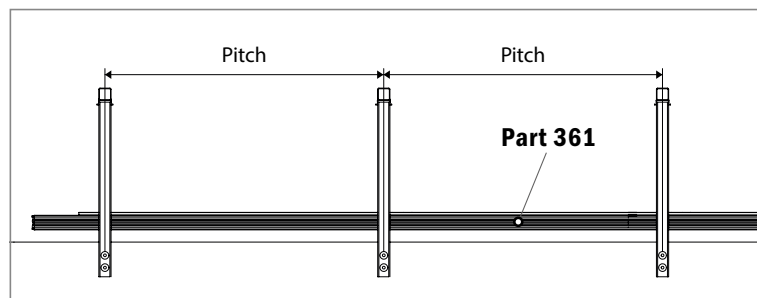


 These roller guides can be curved in either directions.

Bending machine and Rollers
 Page 484 >> 486



Fixing screw:
 M8 hex. head
 or **PART 362**
 Page 558



Part 361 Reinforced version is a reliable roller guides solution, the new robust design allows less support elements and wider pitches.

Example of application

364-365

Componenti / Conveyor components / Komponenten

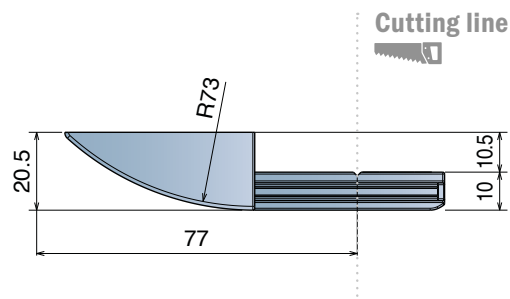
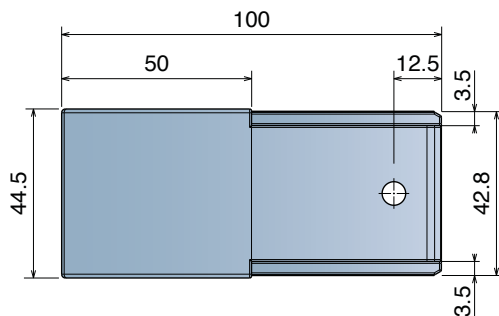
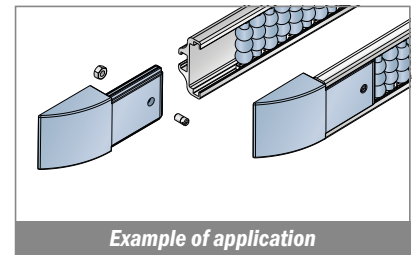
Materiale / Material / Materialien:

Rulli: Resina acetica / Rollers: Acetal Resin / Röllchen: Azetal
 Grano: Acciaio inox / Grub Screws: Stainless steel / Gewindestift: Edelstahl
 Dadi: ottone nichelato / Nuts: nickel plated brass / Mutter: Messing vernickelt

364 Puntale Shoe / Einlaufschuh

Delivery: **Easy** **Standard** Part 364 it is designed to allow the possibility to shorten it, if necessary.

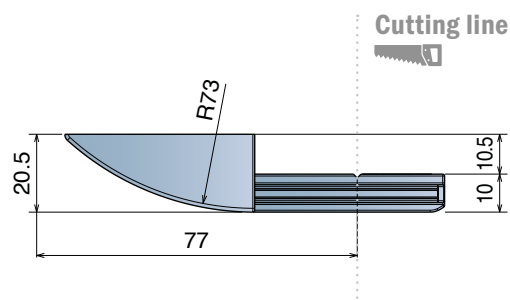
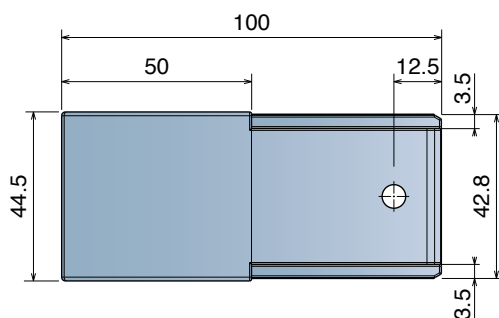
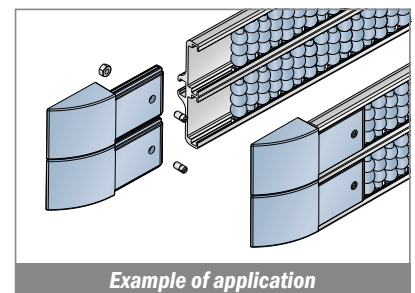
Part	Article-Nr.	Grub screw
364	36411	M6



365 Puntale Shoe / Einlaufschuh

Delivery: **Easy** **Standard** Part 365 it is designed to allow the possibility to shorten it, if necessary.

Part	Article-Nr.	Grub screw
365	36511	M6



Materiale / Material / Materialien:

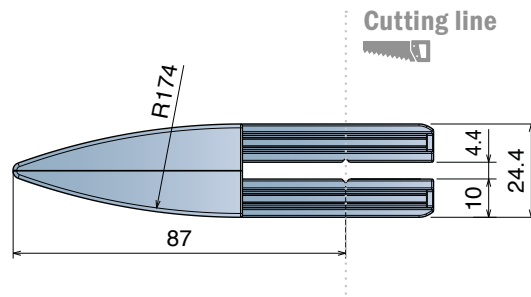
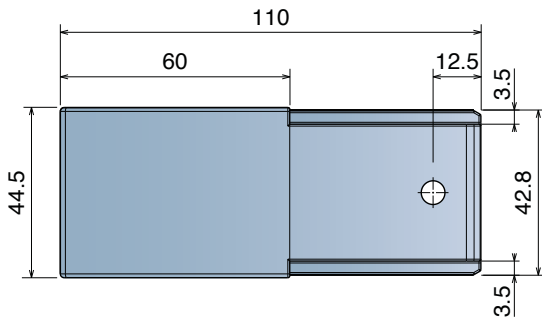
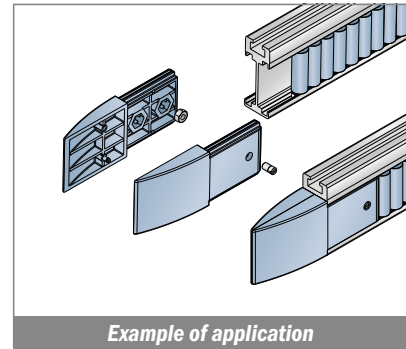
Rulli: Resina acetlica / Rollers: Acetal Resin / Röllchen: Azetal
 Grano: Acciaio inox/Grub Screws: Stainless steel/Gewindestift: Edelstahl
 Dadi: ottone nichelato/Nuts: nickel plated brass/Mutter: Messing vernickelt

366 Puntale Shoe / Einlaufschuh

Delivery: **Easy** **Standard** Part 366 it is designed to allow the possibility to shorten it, if necessary.



Part	Article-Nr.	Grub screw
366	36611	M6

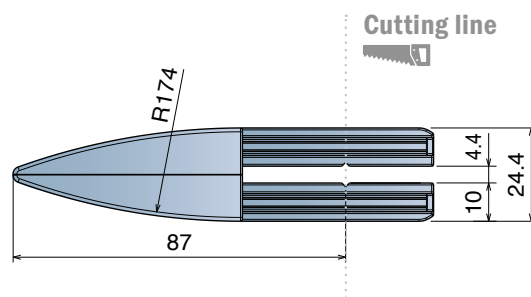
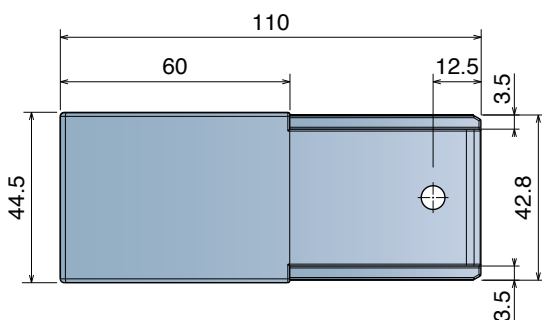
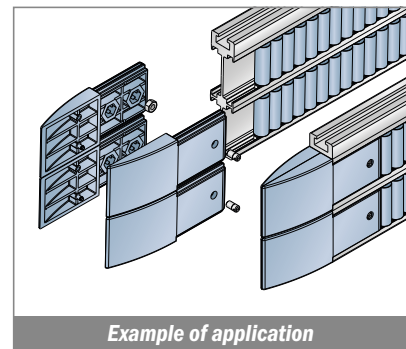


367 Puntale Shoe / Einlaufschuh

Delivery: **Easy** **Standard** Part 367 it is designed to allow the possibility to shorten it, if necessary.



Part	Article-Nr.	Grub screw
367	36711	M6

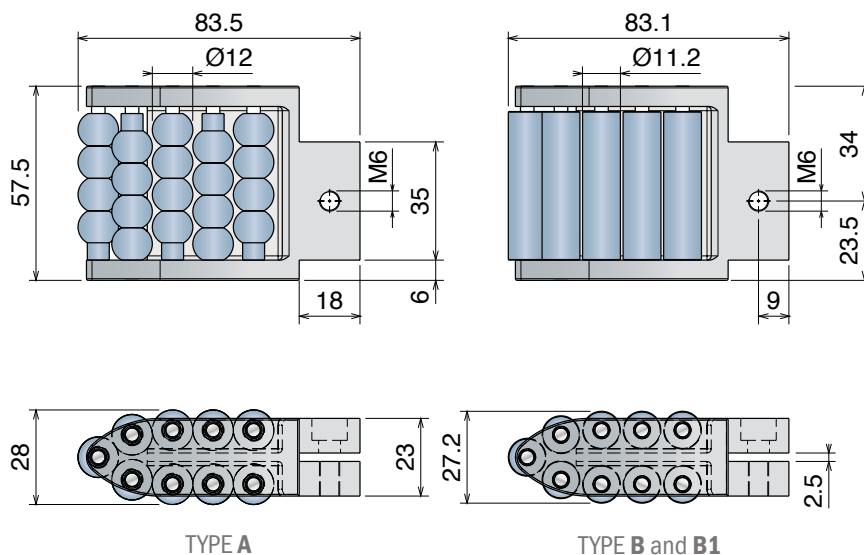


366 Puntale centrale a rulli Central roller shoe / Einlaufschuh

PATENTED



Part	Article-Nr.	Type
366	36621	A - Acetal resin roller
366	36622	B - Acetal resin roller
366	36623	B1 - Soft roller SEBS

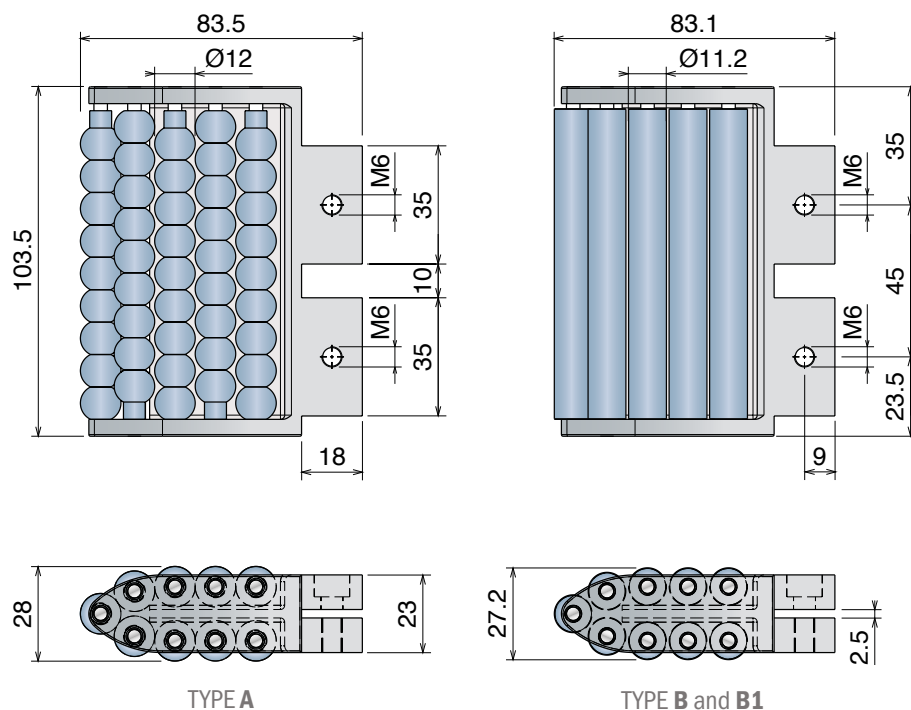


367 Puntale centrale a rulli Central roller shoe / Einlaufschuh

PATENTED



Part	Article-Nr.	Type
367	36721	A - Acetal resin roller
367	36722	B - Acetal resin roller
367	36723	B1 - Soft roller SEBS



Materiale / Material / Materialien: Puntale: PE HD/Shoe: PE HD/Corpus: PE HD
 Perni: acciaio inox/Pins: SS/Bolzen: Edelstahl
 Rulli: resina acetatica o gomma SEBS/Rollers: Acetal Resin or SEBS rubber
 Röllchen: Azetal oder SEBS gummi

364-365

Componenti / Conveyor components / Komponenten

364 Puntale laterale a rulli Side roller shoe / Einlaufschuh

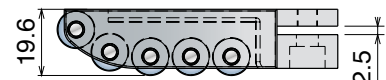
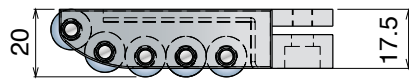
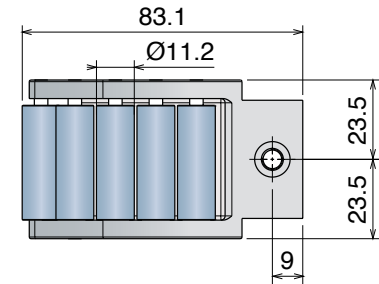
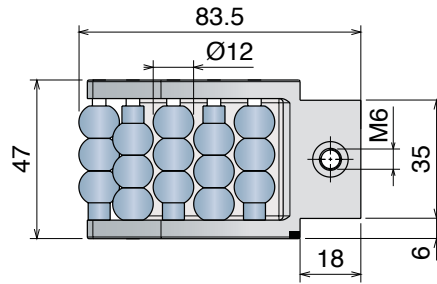
PATENTED



Part	Article-Nr.	Type
364	36421	A - Acetal resin roller
364	36422	B - Acetal resin roller
364	36423	B1 - Soft roller SEBS



TYPE B1
Soft roller
SEBS rubber



TYPE A

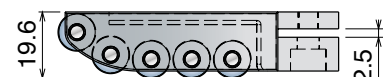
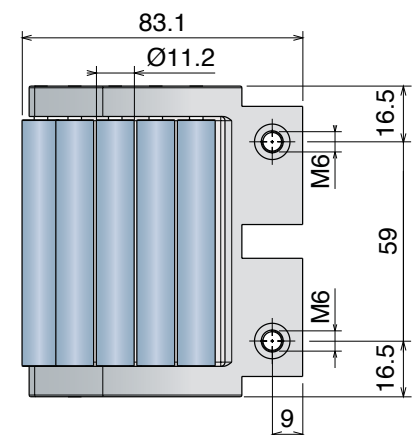
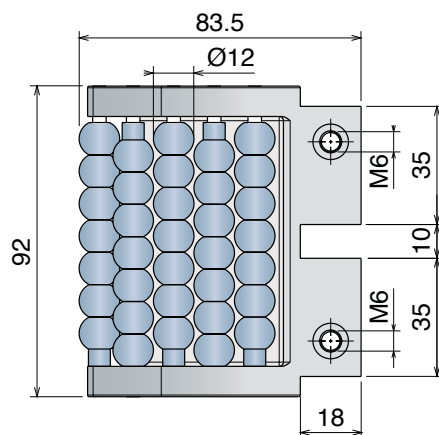
TYPE B and B1

365 Puntale laterale a rulli Side roller shoe / Einlaufschuh

PATENTED



Part	Article-Nr.	Type
365	36521	A - Acetal resin roller
365	36522	B - Acetal resin roller
365	36523	B1 - Soft roller SEBS



TYPE A

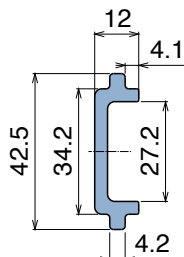
TYPE B and B1

NEW 395 Guida laterale in PE PE side guides / Seitenführung in PE

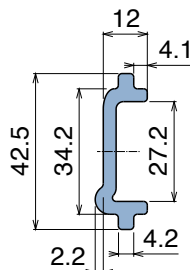
Delivery: **Easy** **Standard** Used with Roller guides Part 358/359/360/361



The codes refer only to the PE side guides.



TYPE A

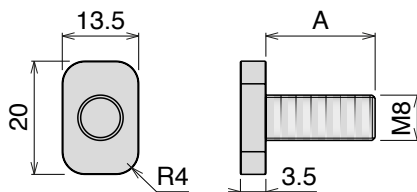


TYPE B

Article-Nr.	Material	Availability	Supply	Type
39510BC	BluLub	Stock item	3 m bars	A
39510C	Ti-White	Stock item	3 m bars	A
39520BC	BluLub	Stock item	3 m bars	B
39520C	Ti-White	Stock item	3 m bars	B

362 Vite a "T" T-bolt / T-Schraube

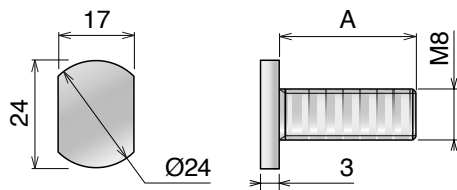
Delivery: **Easy** **Standard** Used with Part 154/155/159/164/165/358/359/360/361/1055/1088/1089



Part	Article-Nr.	A
362	36201	17
362	36202	22
362	36203	27

3629 Vite a "T" T-bolt / T-Schraube

Delivery: **Standard** **On request** Used with Part 112

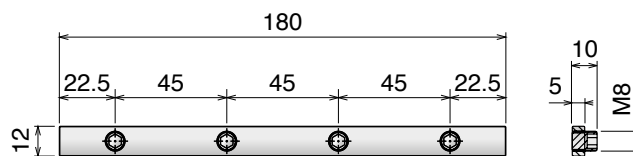


Part	Article-Nr.	A
3629	362901	17
3629	362902	22
3629	362903	27

333 Elemento di giunzione Connecting elements / Verbindungselement

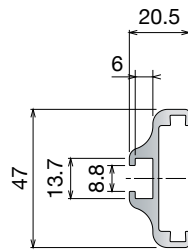
Part Article-Nr.

333 33301



358/359/360/361

Guide in alluminio
Aluminum guides / Aluminiumführung

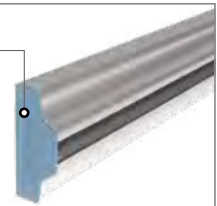


Part	Article-Nr.	Version	Min. radius	Supply
358	35800	Single-lateral	250	3 m

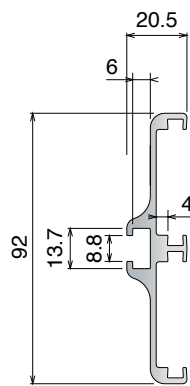
Profile cover

Art-Nr.	Box
301405	60 pcs

Profile cover must be ordered separately



Accessory - Profile cover

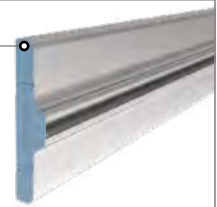


Part	Article-Nr.	Version	Min. radius	Supply
359	35900	Double-lateral	500	3 m

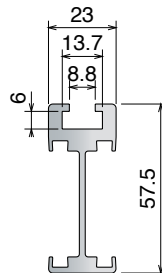
Profile cover

Art-Nr.	Box
301406	60 pcs

Profile cover must be ordered separately



Accessory - Profile cover

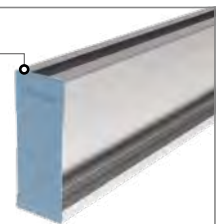


Part	Article-Nr.	Version	Min. radius	Supply
360	36000	Single-lateral	500	3 m

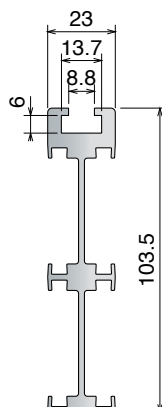
Profile cover

Art-Nr.	Box
301407	60 pcs

Profile cover must be ordered separately



Accessory - Profile cover



Part	Article-Nr.	Version	Min. radius	Supply
358	36100	Double-lateral	750	3 m

Profile cover

Art-Nr.	Box
301408	60 pcs

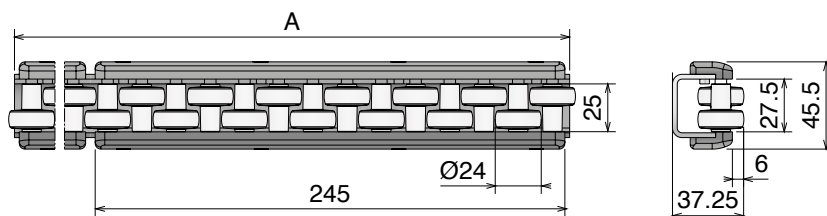
Profile cover must be ordered separately



Accessory - Profile cover

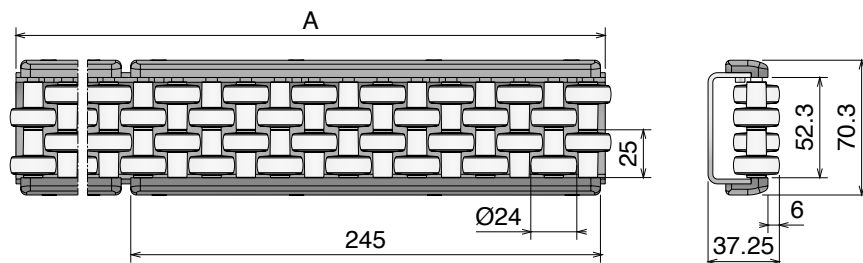
353 Guide a rulli di accumulo Accumulation roller guides / Stauröllchenführung

Delivery:	Easy	Standard	Part	Article-Nr.	A	Pin	Pin Ø
			353	35301	1 m	PA	6 mm
			353	35302	2 m	PA	6 mm
			353	35303	3 m	PA	6 mm



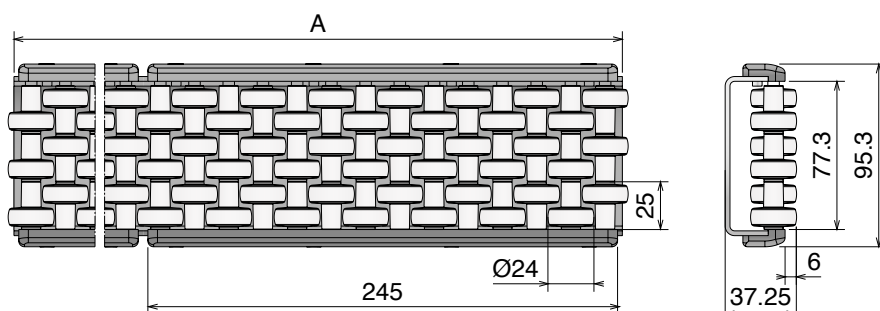
354 Guide a rulli di accumulo Accumulation roller guides / Stauröllchenführung

Delivery:	Easy	Standard	Part	Article-Nr.	A	Pin	Pin Ø
			354	35401	1 m	PA	6 mm
			354	35402	2 m	PA	6 mm
			354	35403	3 m	PA	6 mm



355 Guide a rulli di accumulo Accumulation roller guides / Stauröllchenführung

Delivery:	Easy	Standard	Part	Article-Nr.	A	Pin	Pin Ø
			355	35501	1 m	SS	6 mm
			355	35502	2 m	SS	6 mm
			355	35503	3 m	SS	6 mm



Material: Resina acetalica / Acetal Resin / Azetal or **BluLub®**. Polyethylene UHMW-PE with reduced coefficient of friction and higher wear resistance. BluLub complies with the code of Federal Regulations of FDA. Linear expansion coefficient: $1.1 \times 10^{-4} \text{ } ^\circ\text{F}^{-1}$ ($2 \times 10^{-4} \text{ } ^\circ\text{C}^{-1}$) Operating temperature: -40 to 176°F (-40 to +80°C)

363 Guida a rulli flessibile Flexible roller guide / Flexible Röllchenführung

RANGE EXTENSION

Delivery: **Easy** **Standard**

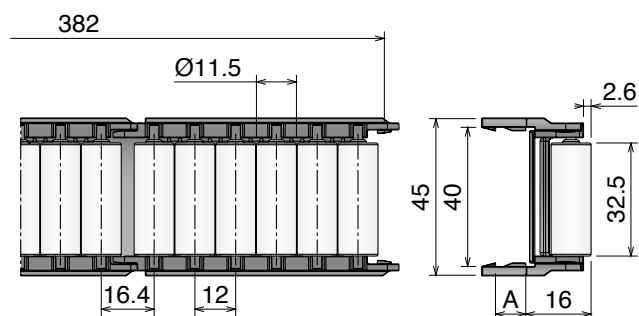


Part	Article-Nr.	Type	A	Colour
363	36301	A	8	White
363	36302	B	8	White
363	36303	A	10	White
363	36304	B	10	White
363	36305	A	8	BluLub
363	36306	A	10	BluLub
363	36307	B1	8	Soft rollers SEBS
363	36308	B1	10	Soft rollers SEBS

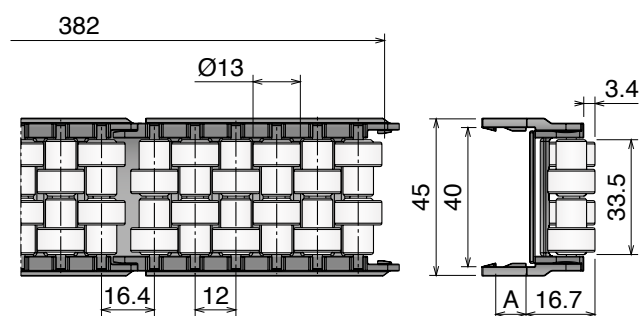


Try with...
**BluLub®
Rollers!**

- Lower wear
- Noise reduction
- Improved product stability
- Lower coefficient of friction
- Less energy consumption

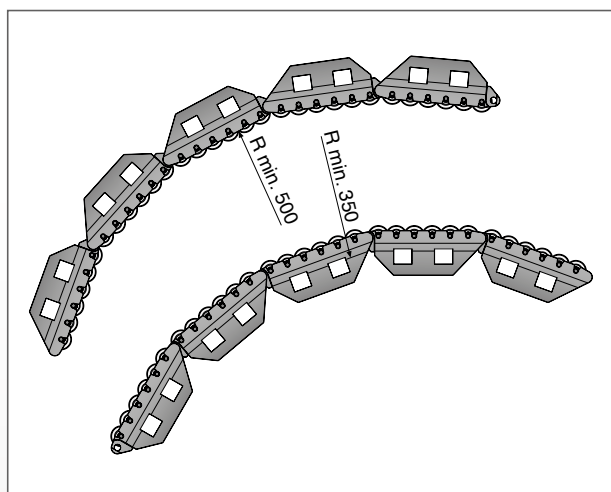


TYPE A/B1

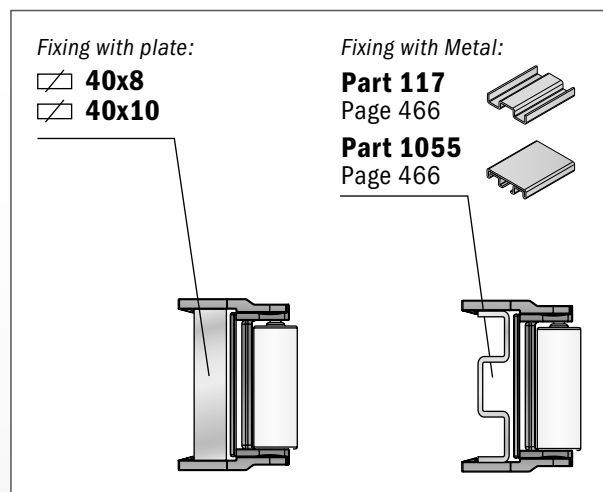


TYPE B

Curvature radius



Fixing with plate and metal profile



Material: Resina acetica / Acetal Resin / Azetal or **BluLub**.
 Polyethylene UHMW-PE with reduced coefficient of friction and higher wear resistance.
 BluLub complies with the code of Federal Regulations of FDA. Linear expansion coefficient:
 $1.1 \times 10^{-4} \text{ } ^\circ\text{F}^{-1}$ ($2 \times 10^{-4} \text{ } ^\circ\text{C}^{-1}$) Operating temperature: -40 to 176 °F (-40 to +80 °C)

396 Guida a rulli flessibile Flexible roller guide / Flexible Röllchenführung

RANGE EXTENSION

Delivery: **Easy** **Standard**

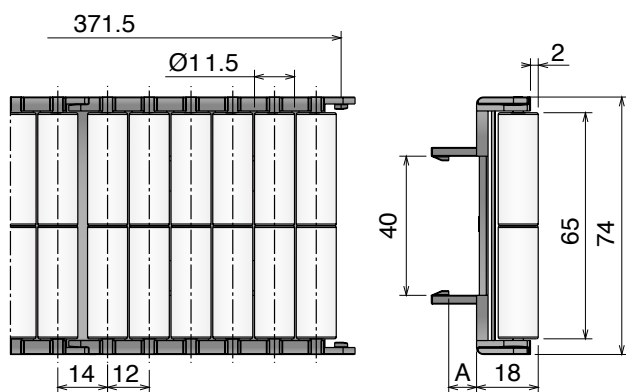


Part	Article-Nr.	Type	A	Colour
396	39601	A	8	White
396	39602	B	8	White
363	39604	A	10	White
363	39605	B	10	White
363	39603	A	8	BluLub
363	39606	A	10	BluLub

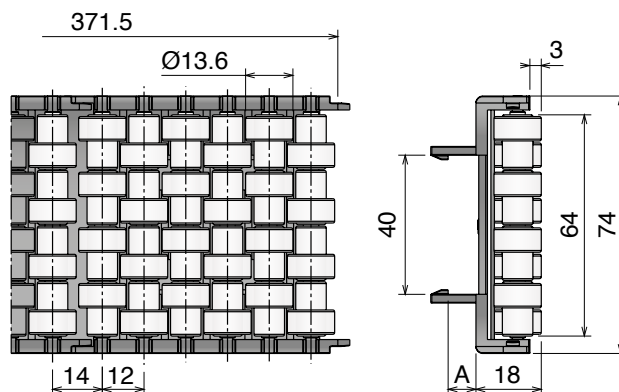


Try with...
**BluLub®
 Rollers!**

- Lower wear
- Noise reduction
- Improved product stability
- Lower coefficient of friction
- Less energy consumption

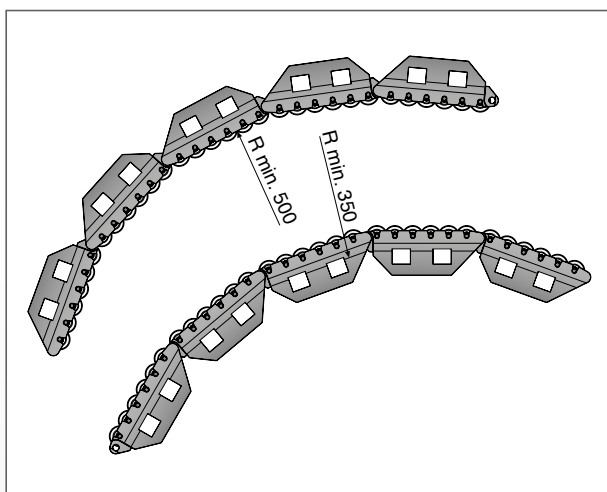


TYPE A



TYPE B

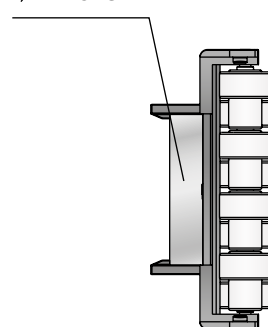
Curvature radius



Fixing with plate and metal profile

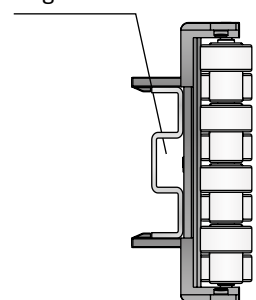
Fixing with plate:

40x8



Fixing with Metal:

Part 117
 Page 466

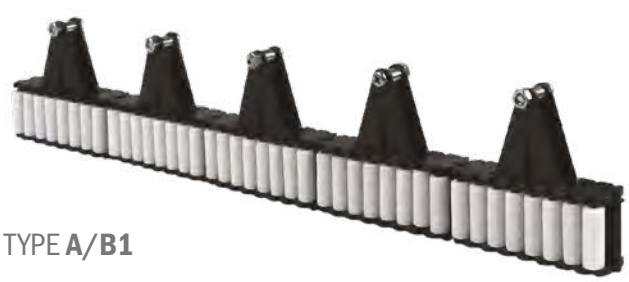


Material: Resina acetica / Acetal Resin / Azetal or **BluLub®**.
 Polyethylene UHMW-PE with reduced coefficient of friction and higher wear resistance.
 BluLub complies with the code of Federal Regulations of FDA. Linear expansion coefficient:
 $1.1 \times 10^{-4} \text{ } ^\circ\text{F}^{-1}$ ($2 \times 10^{-4} \text{ } ^\circ\text{C}^{-1}$) Operating temperature: -40 to 176°F (-40 to +80°C)

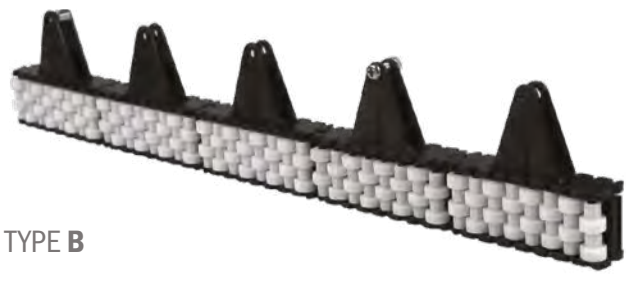
363 Guida a rulli flessibile (centrale)

Flexible roller guide (Centre) / Flexible Röllchenführung (Zentral)

Delivery: **Easy** **Standard** Can also be used with Part 117 Page 466 - Part 1055 Page 466

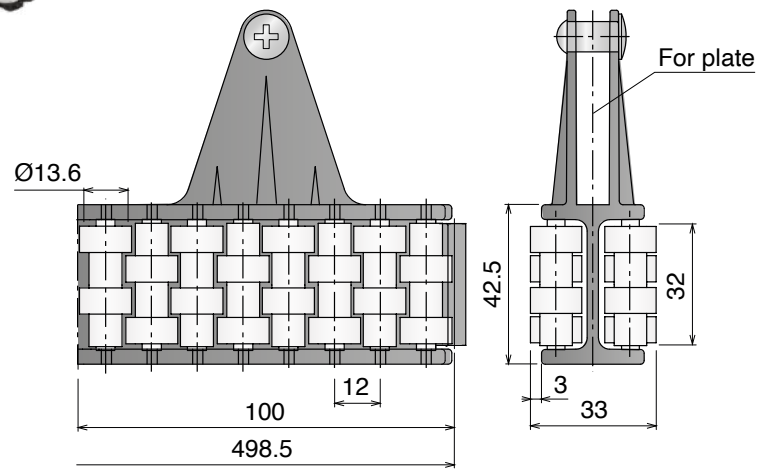
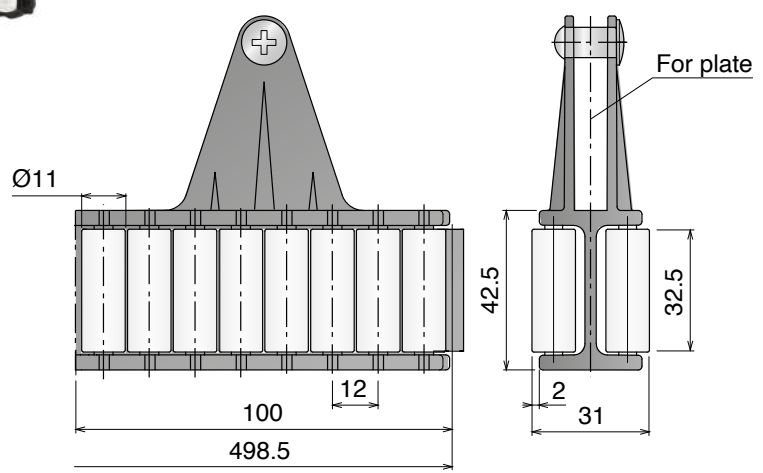


TYPE A/B1

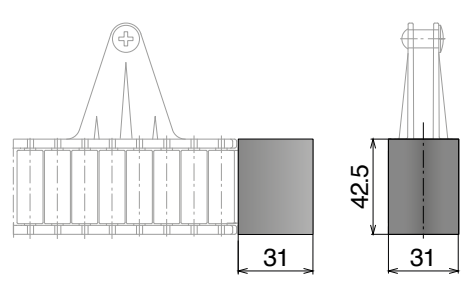


TYPE B

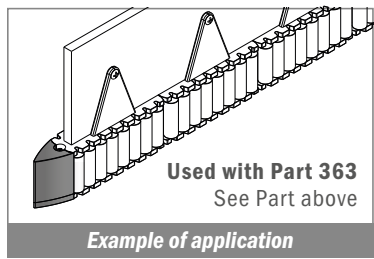
Part	Article-Nr.	Type	For plate	Colour
363	36313	A	40x8	White
363	36311	A	40x10	White
363	36314	B	40x8	White
363	36312	B	40x10	White
363	36315	A	40x8	BluLub
363	36316	A	40x10	BluLub
363	36317	B1	40x8	Soft rollers SEBS
363	36318	B1	40x10	Soft rollers SEBS



Puntale / Shoe / Einlaufschuh



Part	Article-Nr.	For Type
363	36399	A & B



199/299 Blocco di montaggio catena Chain mounting block / Kettenmontageblock

Delivery: **Easy** Standard



Part	Article-Nr.
------	-------------

199	19980
------------	--------------

For steel chain:

812/815 (GT)

881 M (GT)

and plastic chain:

820 (GT)

831

Part	Article-Nr.
------	-------------

199	19981
------------	--------------

For steel chain:

8157 (GT)

8857 M (GT/LBP)

and plastic chain:

8257 (GT/LBP)

Part	Article-Nr.
------	-------------

199	19982
------------	--------------

For steel chain:

812/815 (GT)

881 M (GT)

and plastic chain:

828

880 M

880 Bevel

879 M

Part	Article-Nr.
------	-------------

299	29978
------------	--------------

For sideflexing belt/chain:

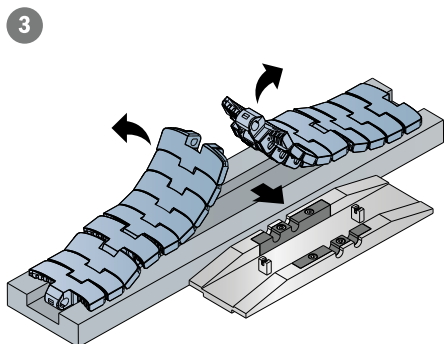
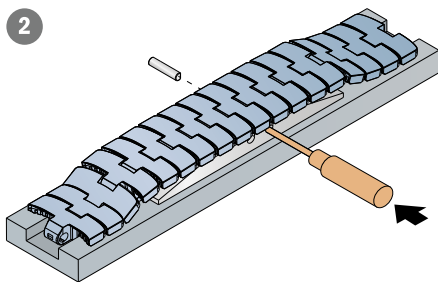
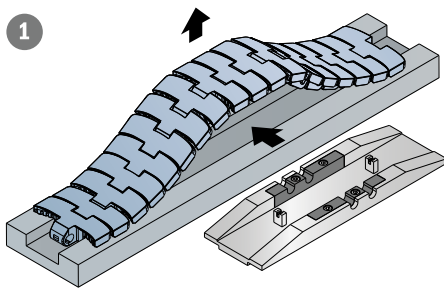
260 M (FT/FG)

261 M (FT)

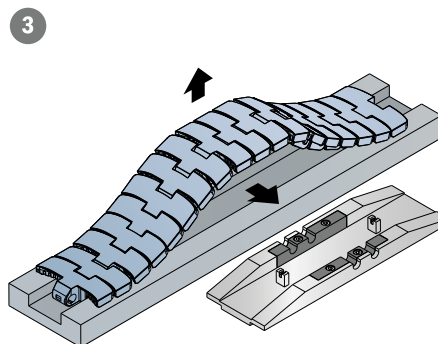
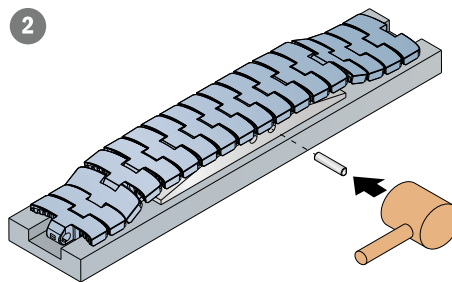
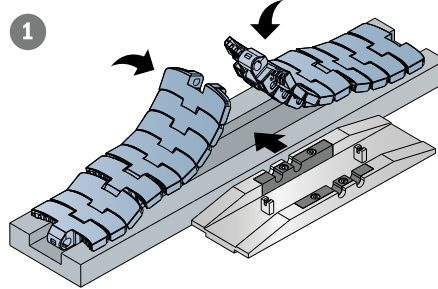
and steel chain:

512

Disassembling mode:



Assembling mode:



Materiale / Material / Materialien:

Modulo: resina acetlica/Module: acetal resin/Module: Azetal

Perni, viti e dadi: Acciaio inox/Pins, screws and nuts: Stainless steel/Bolzen, Schraube und Mutter: Edelstahl

Rulli: resina acetlica o acciaio inox/Rollers: acetal resin or stainless steel/Röllchen: Azetal oder Edelstahl

368 Moduli di trasferimento L=85 mm Transfer modules L=85 mm / Überschubmodul L=85 mm

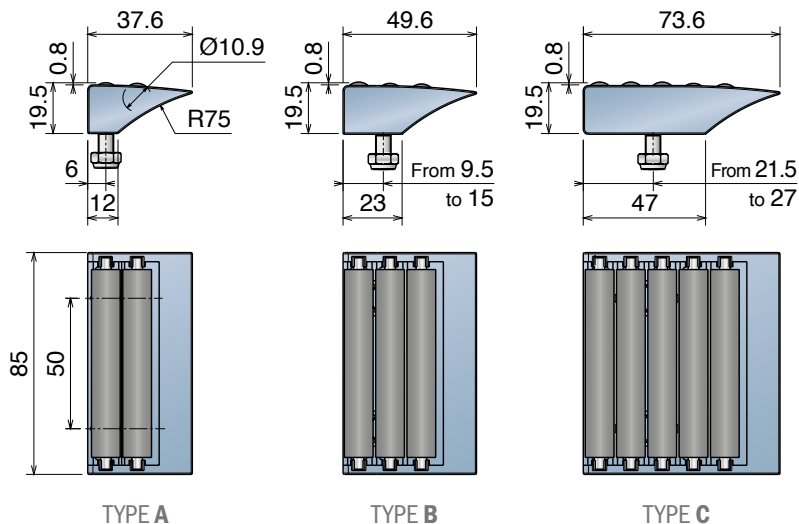
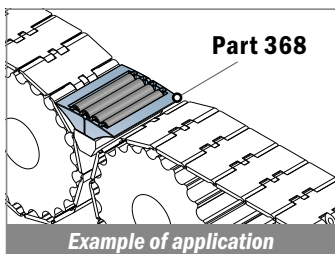
NOW ALSO WITH PFX ROLLERS

Delivery: **Easy** **Standard**

Part	Article-Nr.	Type	Roller material
368	36801	A	Acetal resin
368	36802	B	Acetal resin
368	36803	C	Acetal resin
368	36801PFX	A	PFX
368	36802PFX	B	PFX
368	36803PFX	C	PFX
368	36801SS	A	Stainless steel
368	36802SS	B	Stainless steel
368	36803SS	C	Stainless steel



Smart roller
with mini bearings
in stainless steel

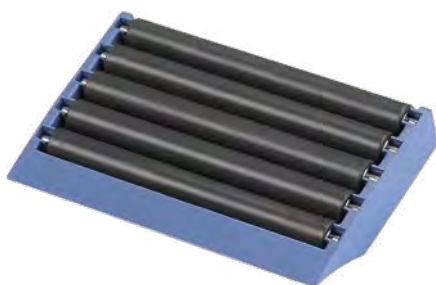


369 Moduli di trasferimento L=115 mm Transfer modules L=115 mm / Überschubmodul L=115 mm

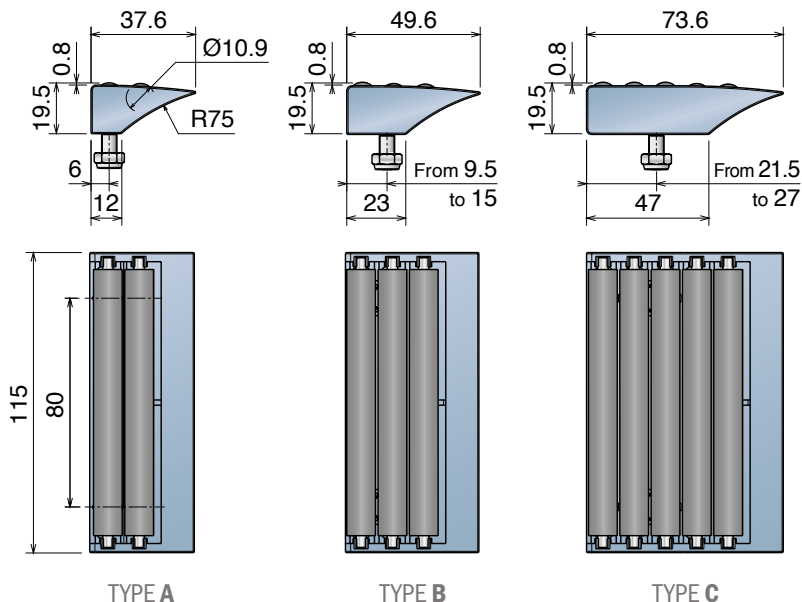
NOW ALSO WITH PFX ROLLERS

Delivery: **Easy** **Standard**

Part	Article-Nr.	Type	Roller material
369	36901	A	Acetal resin
369	36902	B	Acetal resin
369	36903	C	Acetal resin
369	36901PFX	A	PFX
369	36902PFX	B	PFX
369	36903PFX	C	PFX
369	36901SS	A	Stainless steel
369	36902SS	B	Stainless steel
369	36903SS	C	Stainless steel



Smart roller
with mini bearings
in stainless steel



370-371

Componenti / Conveyor components / Komponenten

Materiale / Material / Materialien:

Modulo: resina acetica/Module: acetal resin/Module: Azetal

Perni, viti e dadi: Acciaio inox/Pins, screws and nuts: Stainless steel/Bolzen, Schraube und Mutter: Edelstahl

Rulli: resina acetica o acciaio inox/Rollers: acetal resin or stainless steel/Rollen: Azetal oder Edelstahl

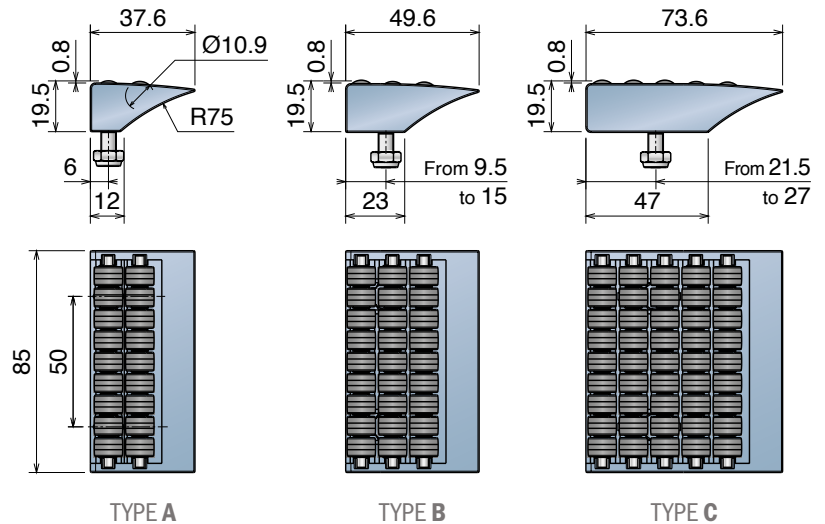
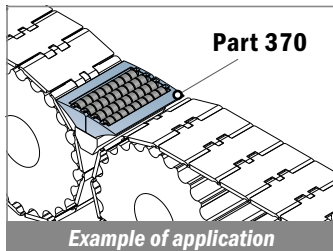
370 Moduli di trasferimento L=85 mm Transfer modules L=85 mm / Überschubmodul L=85 mm

NOW ALSO WITH PFX ROLLERS

Delivery: **Easy** **Standard**



Part	Article-Nr.	Type	Roller material
370	37001	A	Acetal resin
370	37002	B	Acetal resin
370	37003	C	Acetal resin
370	37001PFX	A	PFX
370	37002PFX	B	PFX
370	37003PFX	C	PFX



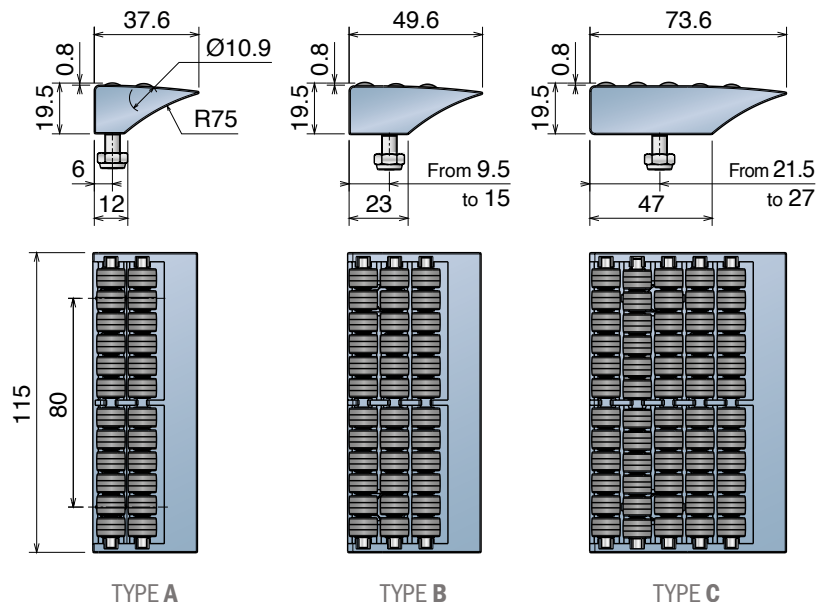
371 Moduli di trasferimento L=115 mm Transfer modules L=115 mm / Überschubmodul L=115 mm

NOW ALSO WITH PFX ROLLERS

Delivery: **Easy** **Standard**



Part	Article-Nr.	Type	Roller material
371	37101	A	Acetal resin
371	37102	B	Acetal resin
371	37103	C	Acetal resin
371	37101PFX	A	PFX
371	37102PFX	B	PFX
371	37103PFX	C	PFX



Materiale / Material / Materialien:

Modulo: **BluLub** / Module: **BluLub** / Module: **BluLub**

Perno: Acciaio inox / Pin: Stainless steel / Bolzen: Edelstahl

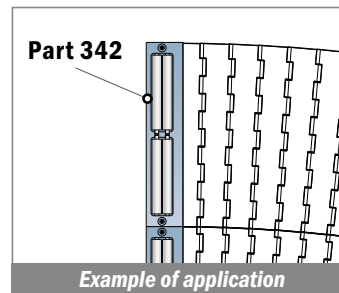
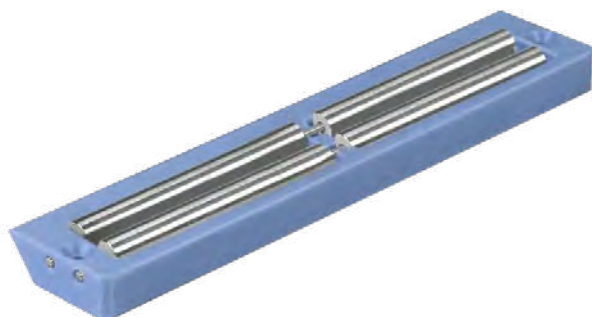
Rulli: Acciaio inox / Rollers: Stainless steel / Rollen: Edelstahl

342

Moduli di trasferimento L=200 mm
Transfer modules L=200 mm / Überschubmodul L=200 mm

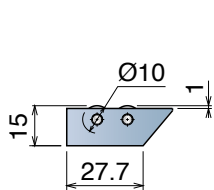
RANGE EXTENSION

Part	Article-Nr.	Type	Material
342	34201	A	BluLub
342	34201N	B	BluLub
342	34201NL	C	BluLub
342	34201S	A	PE Black
342	34201NS	B	PE Black
342	34201NLS	C	PE Black

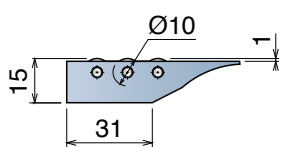
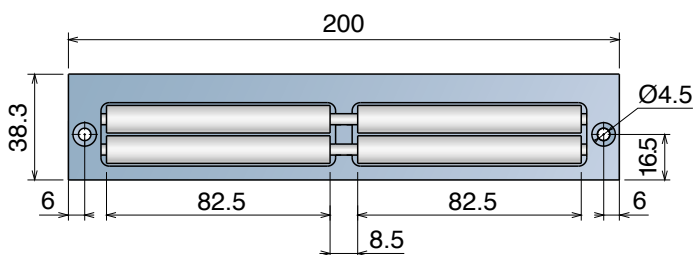


Smart roller

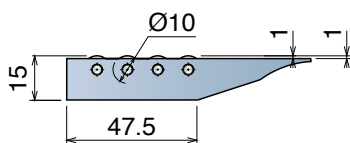
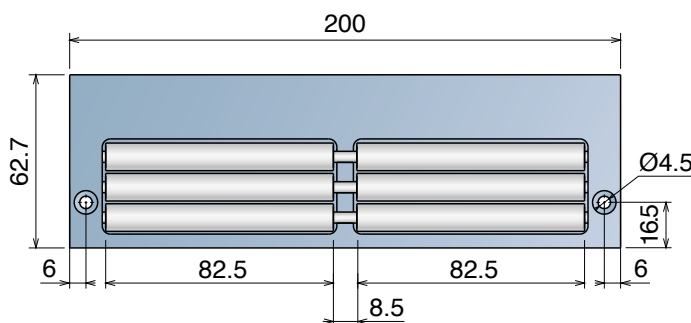
with mini bearings
in stainless steel



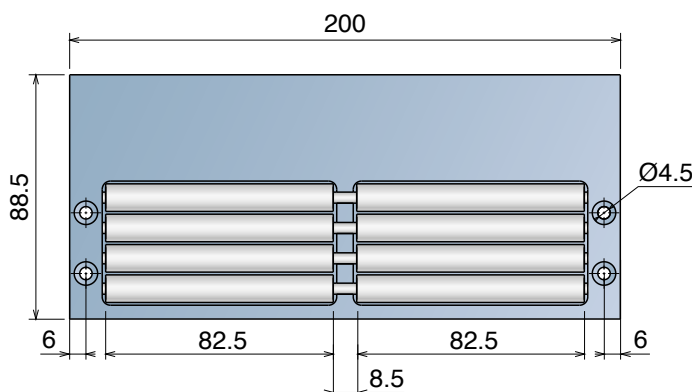
TYPE A



TYPE B



TYPE C



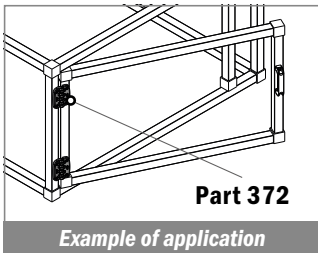
Advantages:

- Machined transfer
- High precision
- Solid structure
- Easy to install

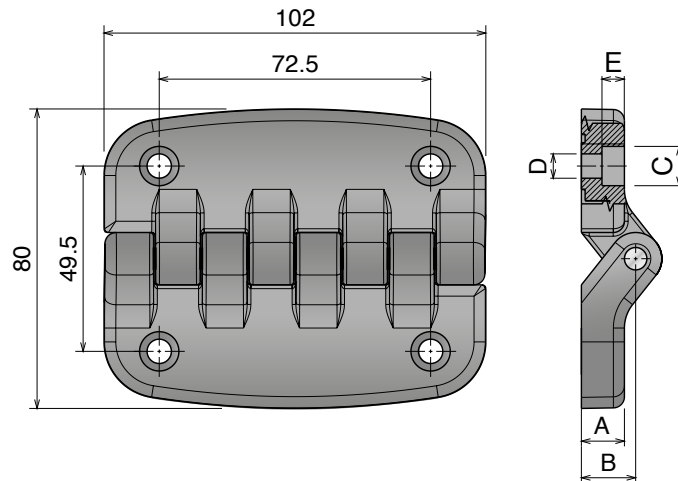
372 Cerniera Hinge / Scharnier

NOW ALSO IN HYGIENIC BLUE

Delivery: **Easy** **Standard**

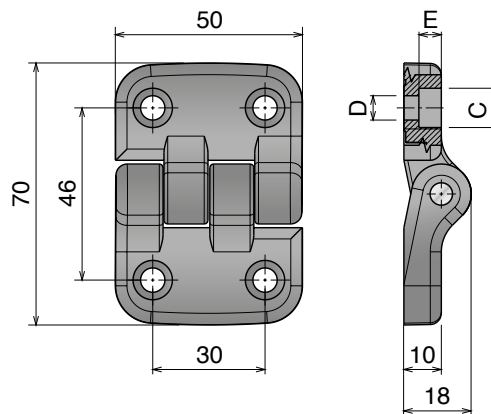


Part	Article-Nr.	A	B	C	D	E	Colour
372	37201	11	14	10,5	6,5	6	Black
372	37202	11	14	13,5	8,5	8	Black
372	37203	18	21	13,5	8,5	8	Black
372	37211	11	14	10,5	6,5	6	Hygienic blue
372	37212	11	14	13,5	8,5	8	Hygienic blue
372	37213	18	21	13,5	8,5	8	Hygienic blue

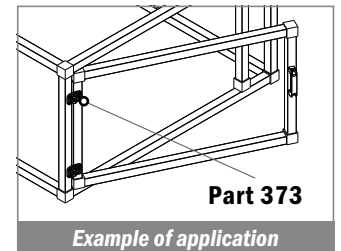


373 Cerniera Hinge / Scharnier

Delivery: **Easy** **Standard**

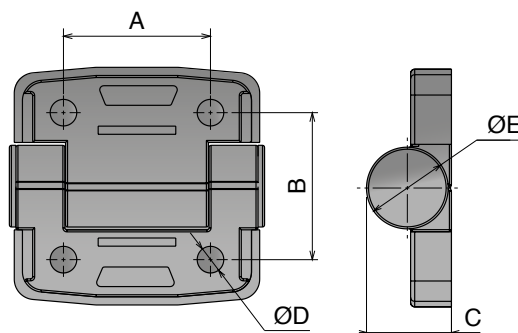


Part	Article-Nr.	C	D	E
373	37301	10,5	6,5	6
373	37302	13,5	8,5	4

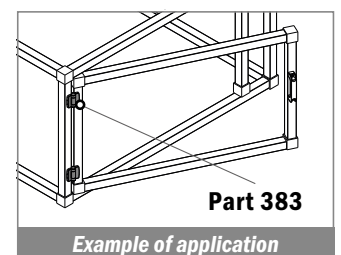


383 Cerniera Hinge / Scharnier

Delivery: **Easy** **Standard**



Part	Article-Nr.	A	B	C	ØD	ØE	F	G
383	38301	24	25	14,5	4,5	14	44,6	41
383	38302	36	36	20,8	6,5	20	62,5	58

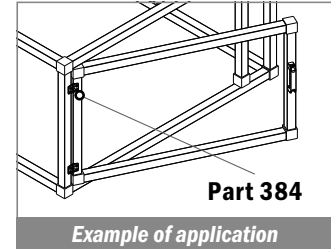
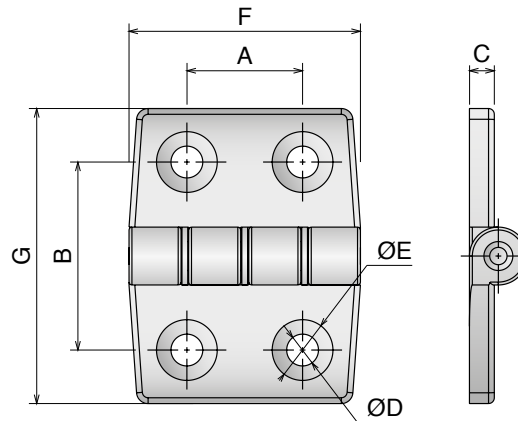


384 Cerniera Acciaio Inox SS Hinge / Edelstahl Scharnier

Stainless Steel | AISI 304

Delivery: **Easy** Standard

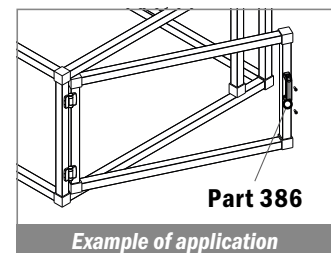
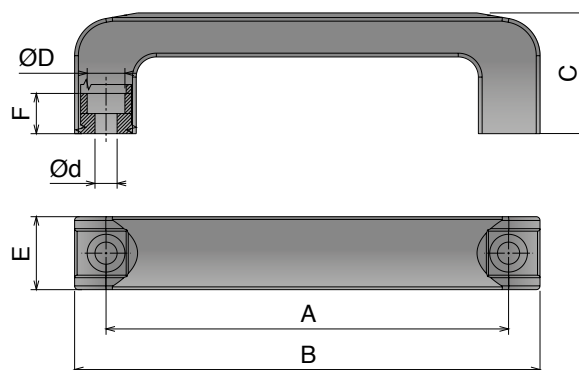
Part	Article-Nr.	A	B	C	ØD	ØE	F	G
384	38401	20	32,5	4,3	5,5	10,5	40	51
384	38402	30	41	5	6,5	12,5	60	71



386 Maniglia Handle / Handgriff

Delivery: **Easy** Standard

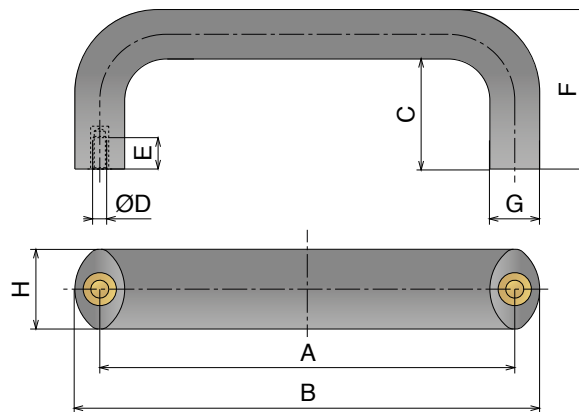
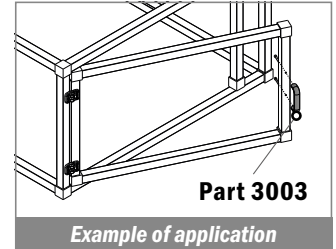
Part	Article-Nr.	A	B	C	Ød	ØD	E	F
386	38603	120	140	40	7	11	24	15
386	38601	120	140	40	8,5	13	24,5	16
386	38602	160	185	48	8,5	15	29	16



3003 Maniglia piena con boccola Solid handle with threaded insert / Handgriff mit Innengewinde

Delivery: **Easy** **Standard**

Part	Article-Nr.	A	B	C	ØD	E	F	G	H
3003	300301	120	134	34	M6	9	50	16	25
3003	300302	120	134	34	M8	14	50	16	25

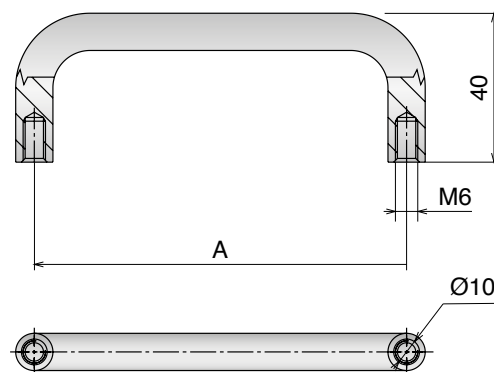
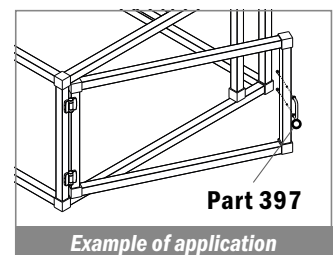


397 Maniglia acciaio inox Stainless Steel handle / Handgriffe Edelstahl

Delivery: **Easy** **Standard**

Stainless Steel | AISI 304

Part	Article-Nr.	A
397	39701	95
397	39702	100
397	39703	110



Materiale / Material / Materialien:

Maniglia: Poliammide/Handle: Polyamide/Griff: Polyamid

Insero femmina: Ottone/Female insert: Brass/Einsatz: Messing

Insero maschio: Acciaio inox/Male insert: Stainless steel/Aussengewinde: Edelstahl

374-375

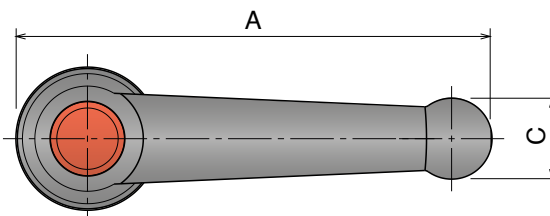
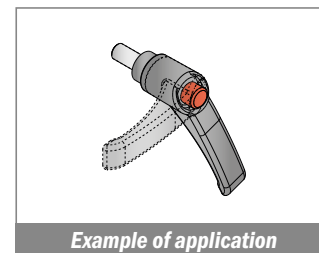
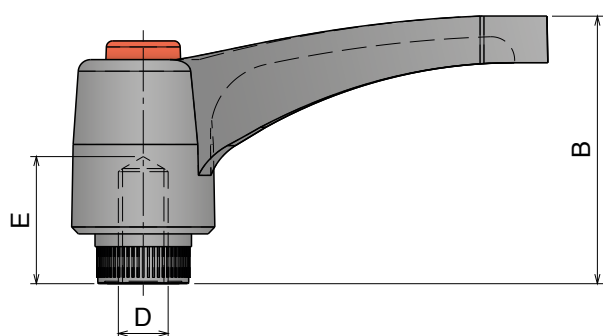
Componenti / Conveyor components / Komponenten

374 Maniglia a ripresa
Adjustable handle / Ratschenhebel

NEW DESIGN

Delivery: **Easy** **Standard**

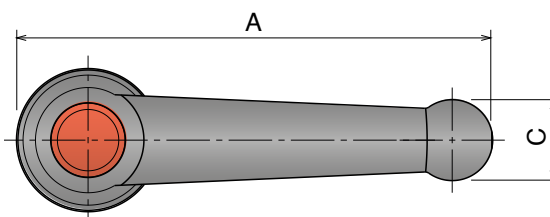
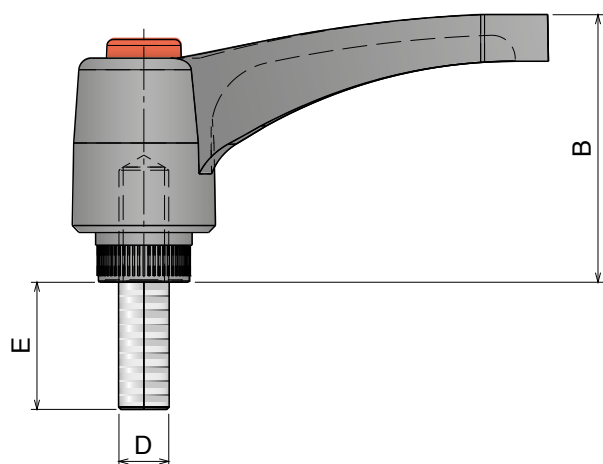
Part	Article-Nr.	A	B	C	D	E	Box
374	37403	51	33	9	M5	12	20 pcs
374	37404	51	33	9	M6	12	20 pcs
374	37405	63	41	12	M6	18	20 pcs
374	37406	63	41	12	M8	18	20 pcs
374	37407	63	41	12	M10	18	20 pcs
374	37401	76.5	43	13	M8	18	20 pcs
374	37409	76.5	43	13	M10	18	20 pcs
374	37402	93.5	54	15.5	M10	22	20 pcs
374	37408	93.5	54	15.5	M12	22	20 pcs



375 Maniglia a ripresa
Adjustable handle / Ratschenhebel

Delivery: **Easy** **Standard**

Part	Article-Nr.	A	B	C	D	E	Box
375	37508	51	33	9	M5	16	20 pcs
375	37509	51	33	9	M6	16	20 pcs
375	37510	63	41	12	M8	16	20 pcs
375	37511	63	41	12	M8	20	20 pcs
375	37515	63	41	12	M8	55	20 pcs
375	37501	76.5	43	13	M8	20	20 pcs
375	37512	76.5	43	13	M8	25	20 pcs
375	37502	76.5	43	13	M10	25	20 pcs
375	37513	93.5	54	15.5	M10	20	20 pcs
375	37514	93.5	54	15.5	M10	25	20 pcs



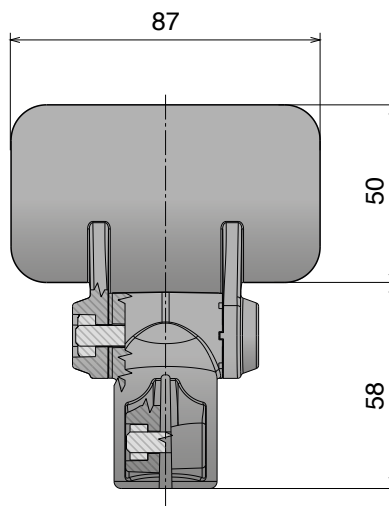
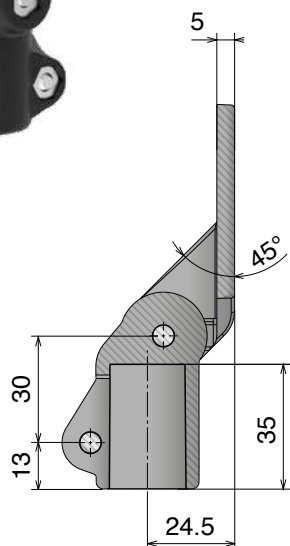
Materiale / Material / Materialien:

Morsetto: Poliammide/Clamp: Polyamide/Klemme: Polyamid

Viti e dadi: Acciaio inox/Screws and nuts: Stainless steel/Schraube und Mutter: Edelstahl

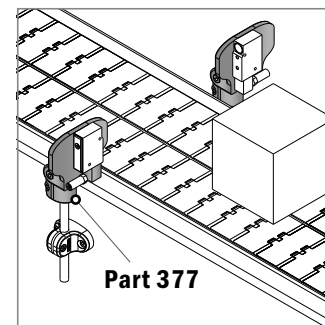
377 Morsetto standard per fotocellula o riflettore Clamp for photocells or reflector / Klemme für Fotozelle oder Reflektor

Delivery: **Easy** **Standard**

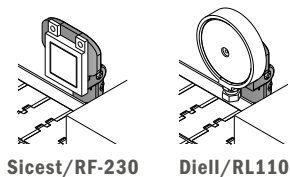
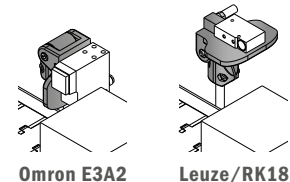


*All the product names in the application example section are believed to be the trademarks and/or trade names of their respective owners and are not owned or controlled by Movex S.p.A.

Part	Article-Nr.	ØA
377	37701	14
377	37702	16
377	37703	20
377	37704	12
377	37705	15
377	37706	18



One product for several models of photocells reflectors*:

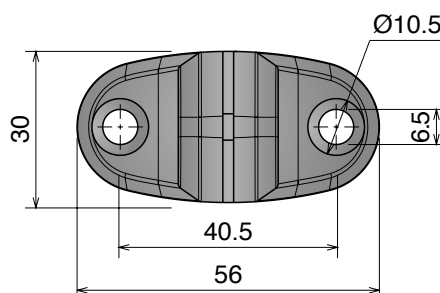
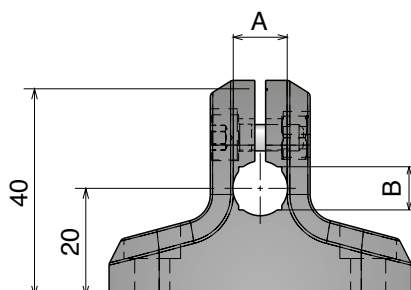


and many other types:
Sick/WL36 - Datalogic/RT7
Omron/E35-R - Datalogic/R2

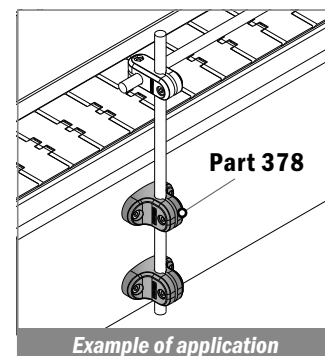
Example of application

378 Morsetto a "T" T-clamp / T-Klemme

Delivery: **Easy** **Standard** Max recommended tightening torque: 3 N mt



Part	Article-Nr.	A	B
378	37801	10	8
378	37802	12	10
378	37803	14	12



Example of application

Materiale / Material / Materialien:

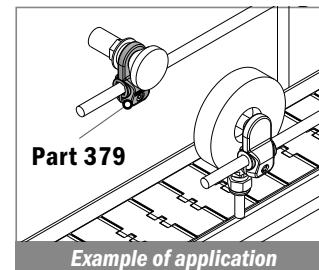
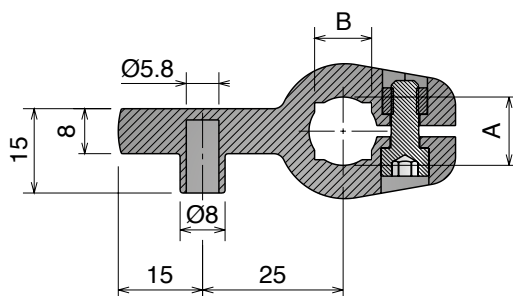
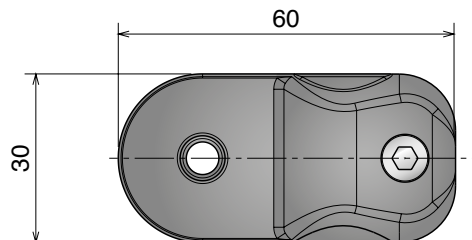
Morsetto: Poliammide/Clamp: Polyamide/Klemme: Polyamid

Viti e dadi: Acciaio inox/Screws and nuts: Stainless steel/Schraube und Mutter: Edelstahl

379 Morsetto per riflettore
Clamp for reflector / Reflektorklemme

Delivery: **Easy** **Standard** Max recommended tightening torque: 3 N mt

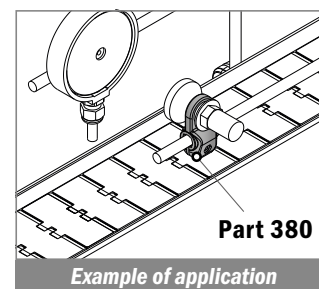
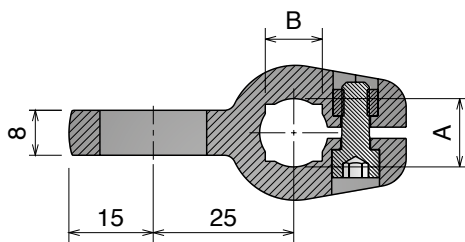
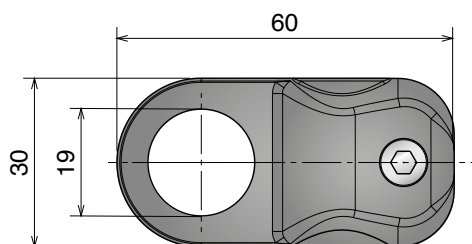
Part	Article-Nr.	A	B
379	37901	10	8
379	37902	12	10
379	37903	14	12



380 Morsetto per fotocellule o sensori
Clamp for photocells or sensors / Klemme für Lichtschranke oder Sensoren

Delivery: **Easy** **Standard** Max recommended tightening torque: 3 N mt

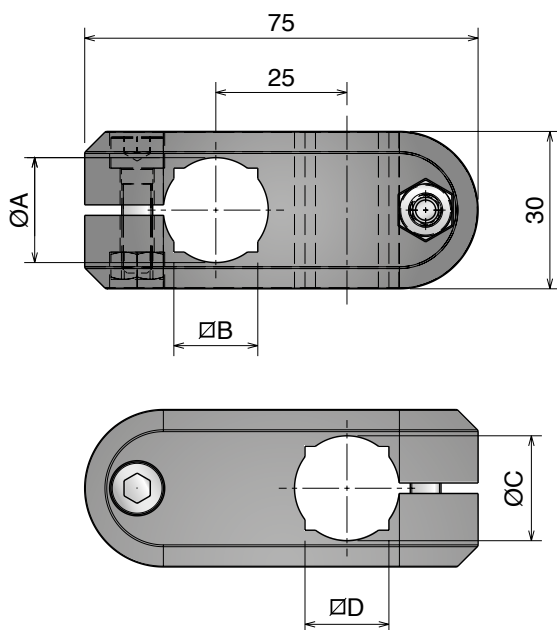
Part	Article-Nr.	A	B
380	38001	10	8
380	38002	12	10
380	38003	14	12



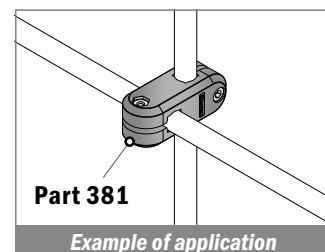
381 Morsetto a croce Cross clamp / Kreuzklemmee

NOW ALSO IN HYGIENIC BLUE

Delivery: **Easy** **Standard** Max recommended tightening torque: 3 N mt



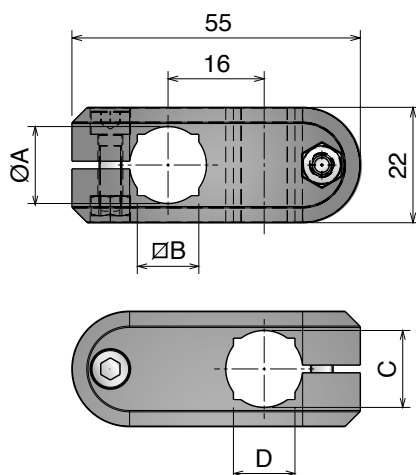
Part	Article-Nr.	ØA	∇B	ØC	∇D	Colour
381	38101	14	12	14	12	Black
381	38102	16	14	16	14	Black
381	38103	18	-	18	-	Black
381	38104	20	16	20	16	Black
381	38111	14	12	14	12	Hygienic blue
381	38112	16	14	16	14	Hygienic blue
381	38113	18	-	18	-	Hygienic blue
381	38114	20	16	20	16	Hygienic blue
381	38121	16	-	16	-	Stainless steel
381	38122	16	-	20	-	Stainless steel
381	38123	20	-	20	-	Stainless steel



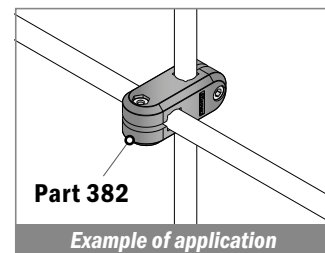
382 Morsetto a croce Cross clamp / Kreuzklemmee

NOW ALSO IN HYGIENIC BLUE

Delivery: **Easy** **Standard** Max recommended tightening torque: 3 N mt



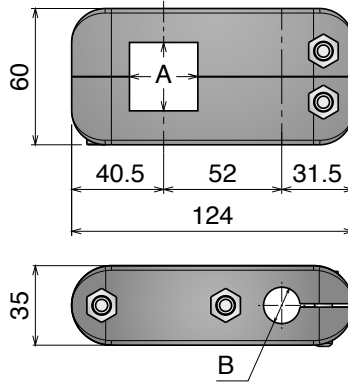
Part	Article-Nr.	ØA	∇B	ØC	∇D	Colour
382	38201	10	8	10	8	Black
382	38202	12	10	12	10	Black
382	38203	14	12	14	12	Black
382	38211	10	8	10	8	Hygienic blue
382	38212	12	10	12	10	Hygienic blue
382	38213	14	12	14	12	Hygienic blue



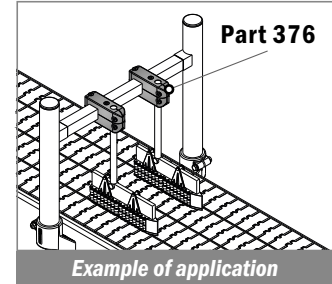
376 Morsetto a croce "extra" Extra Cross Block / Kreuzklemme "Extra"

Delivery: **Easy** Standard

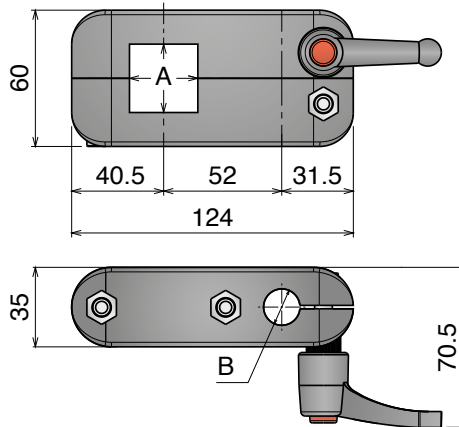
NEW DESIGN



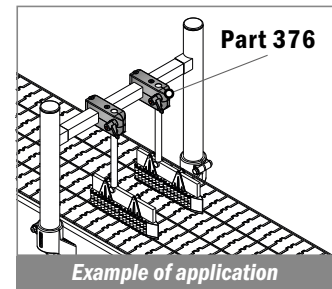
Part	Article-Nr.	A	B
376	37601	30x30	16
376	37604	30x30	20
376	37602	40x40	16
376	37603	40x40	20



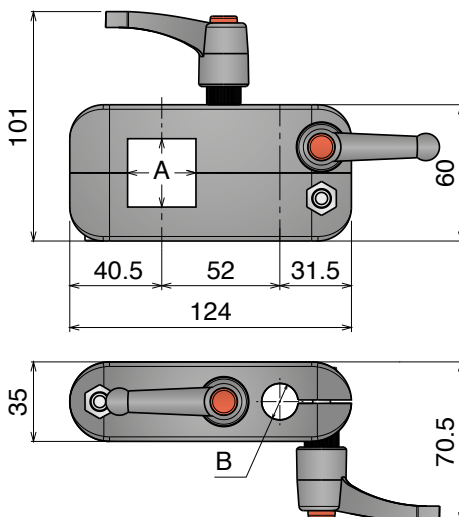
Morsetto a croce "extra" con maniglia Extra Cross Block with handle / Kreuzklemme "Extra" m. Ratschenhebel



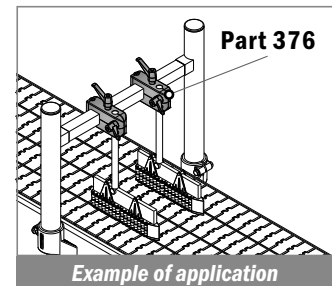
Part	Article-Nr.	A	B
376	37611	30x30	16
376	37614	30x30	20
376	37612	40x40	16
376	37613	40x40	20



Morsetto a croce "extra" con maniglie Extra Cross Block with handles / Kreuzklemme "Extra" m. Ratschenhebel



Part	Article-Nr.	A	B
376	37621	30x30	16
376	37624	30x30	20
376	37622	40x40	16
376	37623	40x40	20



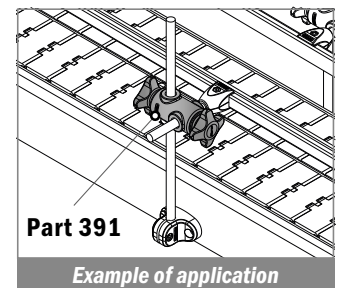
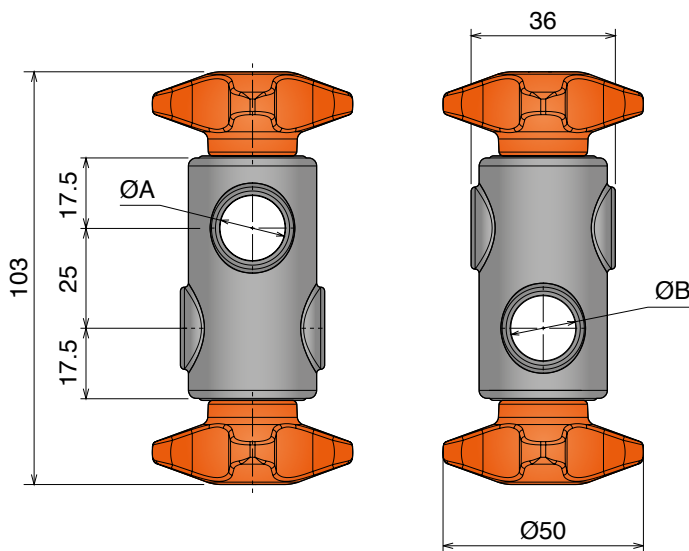
391 Morsetto a croce Cross clamp / Kreuzklemme

Delivery: **Easy** **Standard**



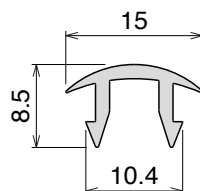
RANGE EXTENSION

Part	Article-Nr.	ØA	ØB	Colour
391	39101	12	12	Black
391	39103	14	14	Black
391	39102	16	16	Black
391	39104	12	16	Black
391	39151	12	12	Hygienic Blue
391	39153	14	14	Hygienic Blue
391	39152	16	16	Hygienic Blue
391	39154	12	16	Hygienic Blue
391	39141	12	12	Orange
391	39143	14	14	Orange
391	39142	16	16	Orange
391	39144	12	16	Orange

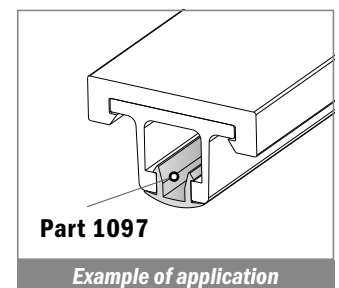


NEW 1097 Profilo di chiusura Closing profile / Abdeckprofil

Delivery: **Easy** **Standard**



Article-Nr.	Material	Availability	Supply
109701-30	Grey PVC	Stock item	30 m coils



Used with Part:
 154 - 155 - 159 - 164 - 165 - 188
 358 - 359 - 360 - 361 - 1055 - 1088 - 1089

903 Vite igienica certificata ed igienica Certified hygienic screw / Zertifiziert hygienische Schraube

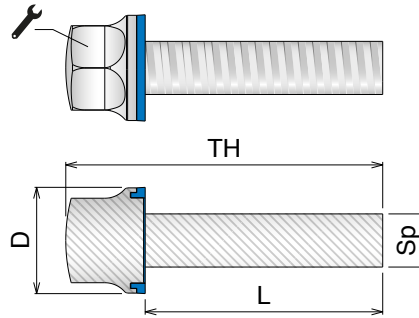
Delivery: **Easy** **Standard**



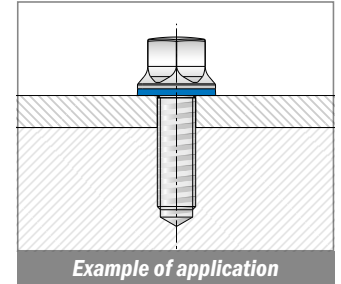
Main features:

- Stainless steel AISI 304
- Blue seal for hermetic closure

Art-Nr.	Sp	D	TH	L		Box
903255	M8	16	58	45	13	10 pcs
903253	M10	20	60	45	16	10 pcs
903251	M12	24,5	78	60	18	10 pcs



CERTIFIED PRODUCTS
ASK FOR CERTIFICATION:
certificate@movexii.com



903 Dado certificato ed igienico Certified hygienic nut / Zertifiziert hygienische Hutmutter

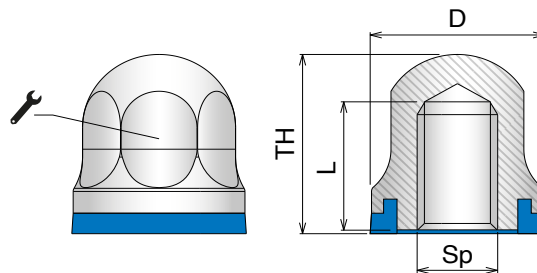
Delivery: **Easy** **Standard**



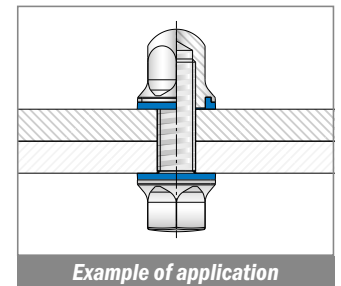
Main features:

- Stainless steel AISI 304
- Blue seal for hermetic closure

Art-Nr.	Sp	D	TH	L		Box
903235	M6	13	14	10	10	10 pcs
903236	M8	16	17	12	13	10 pcs
903237	M10	20	20,5	15	16	10 pcs
903238	M12	24,5	25	18	18	10 pcs
903239	M16	32	32	23	24	10 pcs
903240	M20	39	38	27	30	10 pcs



CERTIFIED PRODUCTS
ASK FOR CERTIFICATION:
certificate@movexii.com



998 Dado Nut / Sechskantmutter

Delivery: **Easy** **Standard**



Main features:

- Stainless steel (SS) or Zinc plated steel (FeZn)
- UNI 5588 - ISO 4032 - DIN 934

Art-Nr.	Art-Nr.	Sp	Box
SS	FeZn		
99801	99801Z	M10	50 pcs
99802	99802Z	M12	50 pcs
99804	99804Z	M16	10 pcs
99805	99805Z	M20	10 pcs
99806	99806Z	M24	5 pcs
99807	99807Z	M30	5 pcs
99808	99808Z	M36	5 pcs



Movex
OFFICIAL UK PARTNER

Oadby Conveyors

Oadby Conveyors
68 Scudamore Road
Braunstone Frith Ind. Est.
Leicester
LE3 1UA

0116 232 4848
convteam@oadbyplastics.co.uk

Head Office

Oadby Plastics Ltd
68 Scudamore Road
Braunstone Frith Ind. Est.
Leicester
LE3 1UA

0116 232 1010
sales@oadbyplastics.co.uk

For further information and specification details please visit our comprehensive website. Due to a policy of continual product development, Oadby Conveyors reserves the right to alter any of the specifications given in the publication without prior notice. The specification must be checked with Oadby Conveyors prior to manufacture. For this reason no responsibility or liability for accuracy is accepted by Oadby Conveyors.

Company registration No. 03542957 | www.oadbyconveyors.co.uk



Certificate Number 8147
ISO 9001, ISO 14001