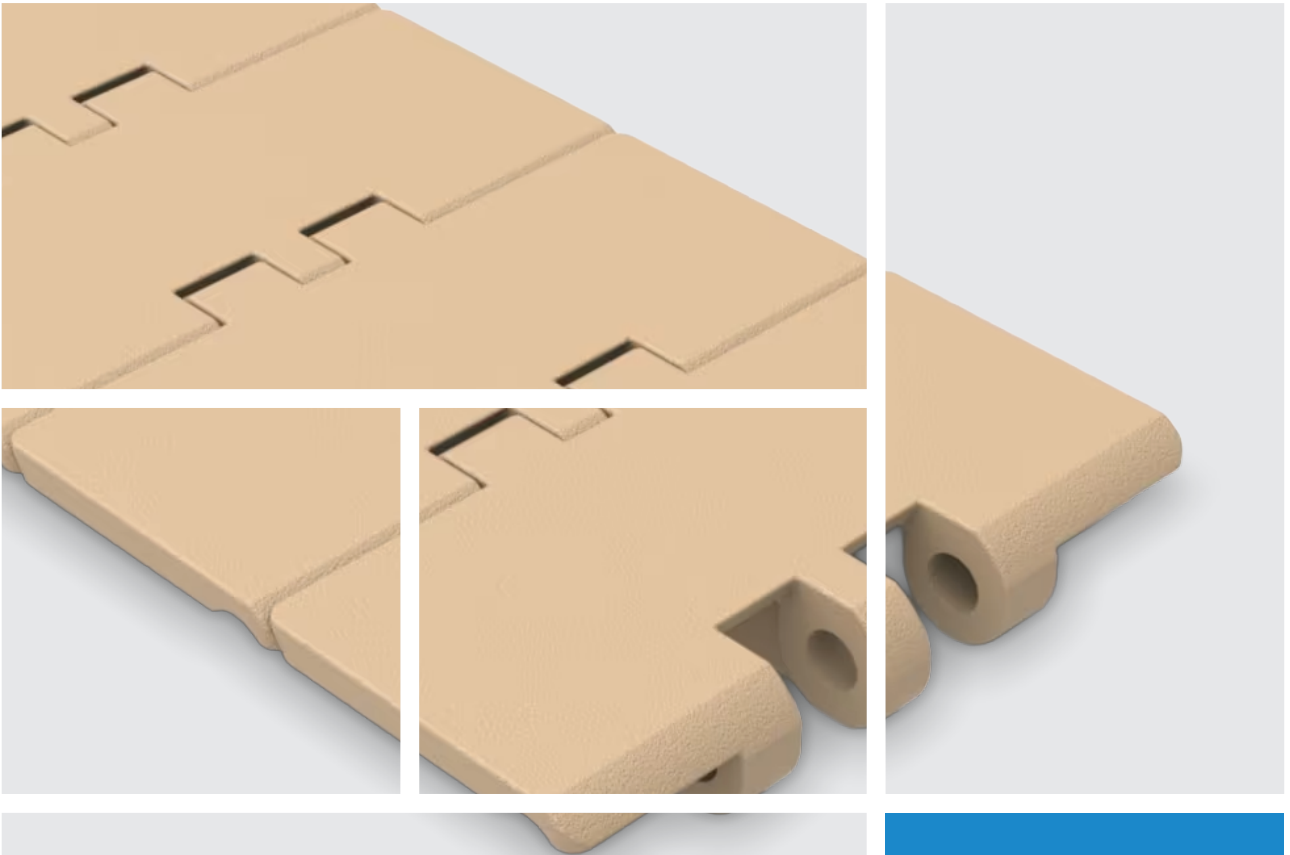


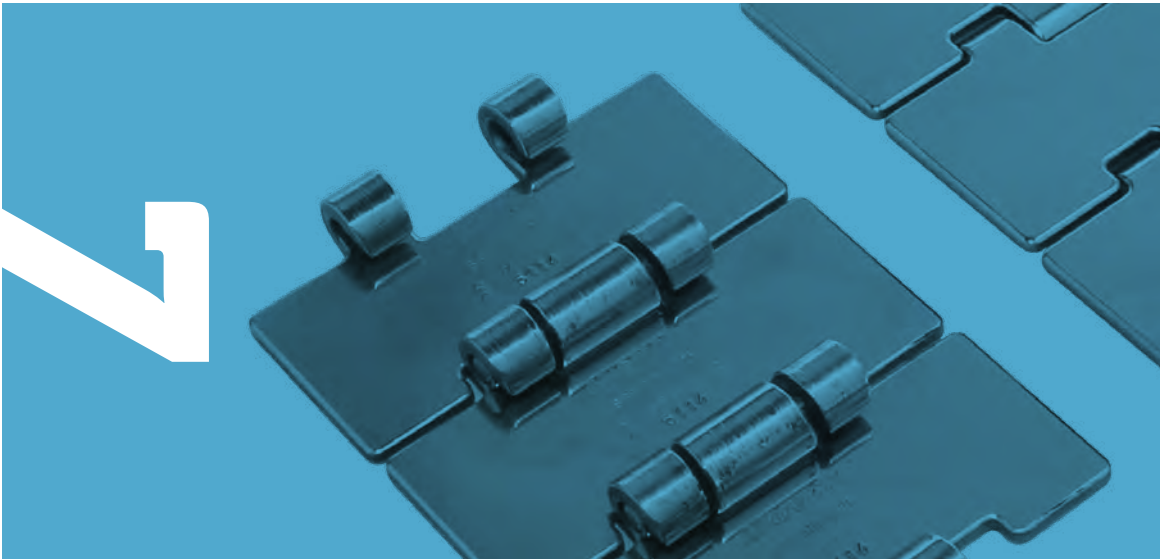
Product Overview



Chains

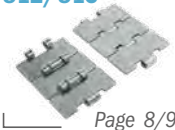


Movex[®]
OFFICIAL UK PARTNER



Steel chains

812/815



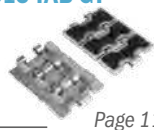
Page 8/9

812 GT/815 GT



Page 10

815 TAB GT



Page 11

815 Transfer wing



Page 11

815 MINI



Page 12

815 MINI GT



Page 12

802/805



Page 13

802 GT/805 GT



Page 14

8157



Page 15

8157 GT



Page 15

512



Page 16

881 M



Page 17/18

881 M GT



Page 19

881 TAB



Page 20

881 B



Page 21

8811 TAB



Page 22

8811 R TAB



Page 23

8811 TAB GT



Page 23

8811 B



Page 24

8857 M



Page 25

8857 M GT



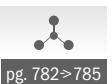
Page 25

1874 TAB



Page 26

Material Info:

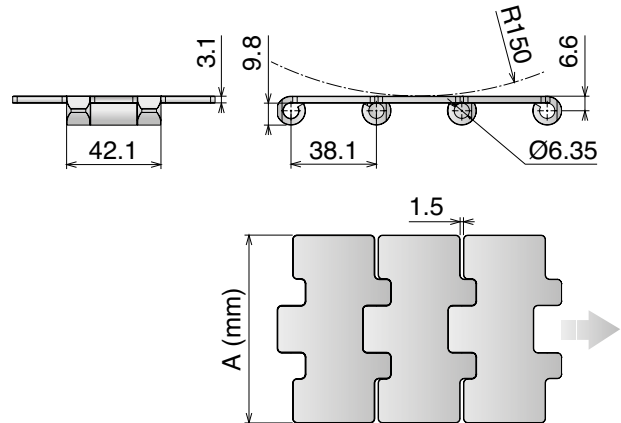


pg. 782>785

815 Catena rettilinea Straight running chain / Geradegängige Scharnierbandkette

Delivery: **Easy** **Standard**

Pins: Martensitic 1.4057 | Backflex radius min.: 150 mm

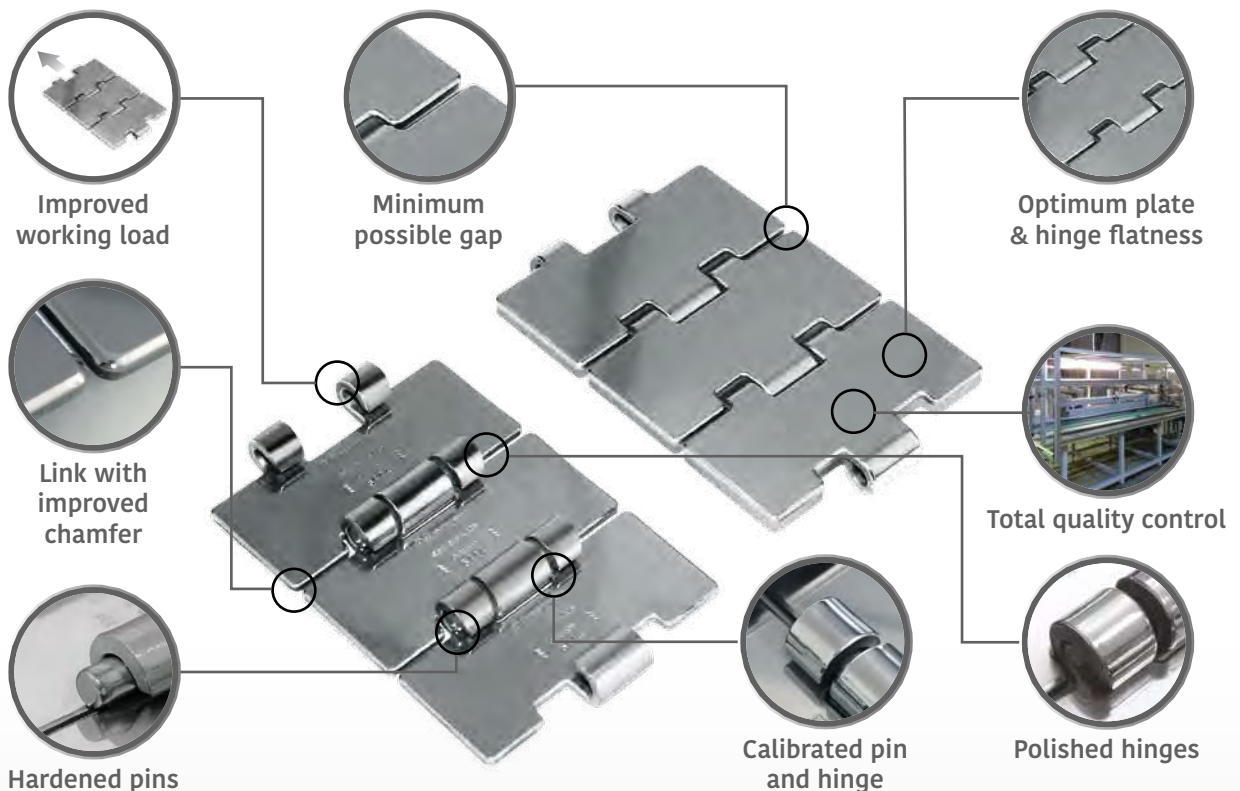


Article-Nr.	Ref.	A (Plate Width) mm	Weight kg/m	Surface finish µm	Surface Flatness mm	Polished Hinge eyes	Max working load (N)	Plate Thickness mm
-------------	------	--------------------	-------------	-------------------	---------------------	---------------------	----------------------	--------------------

SSM Max Speed - Hardened pins

10010302	SSM 815 K325	82,5	2,55	0,2	0,08	YES	6000	3,1
10010303	SSM 815 K330	83,8	2,59	0,2	0,08	YES		

Max Speed High Performance

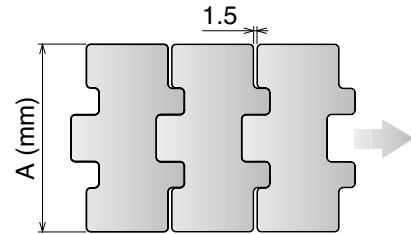
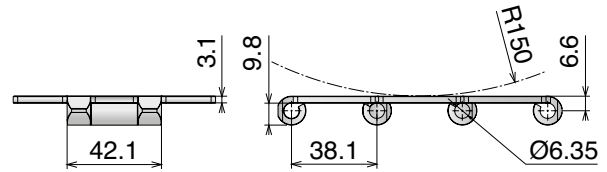


812/815

Catena rettilinea
Straight running chain / Geradegängige Scharnierbandkette

Delivery: **Easy** **Standard**

Pins: Martensitic 1.4057 | Backflex radius min.: 150 mm



Article-Nr.	Ref.	A (Plate Width) mm	Weight kg/m	Surface finish µm	Surface Flatness mm	Polished Hinge eyes	Max working load (N)	Plate Thickness mm
-------------	------	--------------------	-------------	-------------------	---------------------	---------------------	----------------------	--------------------

SS Ferritic Stainless Steel (1.4016)

10010216	SS 812 K300	76,2	2,50	0,5	0,15	NO	5400	3,1
10010202	SS 812 K325	82,5	2,55	0,5	0,15	NO		
10010203	SS 812 K330	83,8	2,59	0,5	0,15	NO		
10010204	SS 812 K350	88,9	2,69	0,5	0,15	NO		
10010214	SS 812 K400	101,6	3,00	0,5	0,15	NO		
10010205	SS 812 K450	114,3	3,25	0,5	0,20	NO		
10010206	SS 812 K600	152,4	4,15	0,5	0,30	NO		
10010207	SS 812 K750	190,5	5,05	0,5	0,30	NO		

SSE Specially treated Ferritic Stainless Steel (1.4589) - Hardened pins

10010102	SSE 815 K325	82,5	2,55	0,3	0,10	YES	6000	3,1
10010103	SSE 815 K330	83,8	2,59	0,3	0,10	YES		
10010104	SSE 815 K350	88,9	2,69	0,3	0,15	NO		
10010114	SSE 815 K400	101,6	3,00	0,3	0,15	NO		
10010105	SSE 815 K450	114,3	3,25	0,3	0,20	NO		
10010106	SSE 815 K600	152,4	4,15	0,3	0,30	NO		
10010107	SSE 815 K750	190,5	5,05	0,3	0,30	NO		

*SSA Austenitic Stainless Steel (AISI 304) - Austenitic pin

10010402	SSA 815 K325	82,5	2,55	0,5	0,15	NO	5300	3,1
10010403	SSA 815 K330	83,8	2,59	0,5	0,15	NO		
10010404	SSA 815 K350	88,9	2,69	0,5	0,15	NO		
10010405	SSA 815 K450	114,3	3,25	0,5	0,20	NO		
10010406	SSA 815 K600	152,4	4,15	0,5	0,30	NO		
10010407	SSA 815 K750	190,5	5,05	0,5	0,30	NO		

812 GT/815 GT

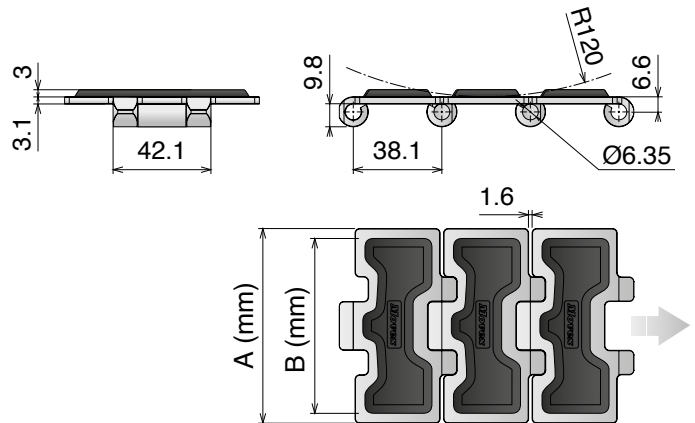
Catene in acciaio / Steel chains / Scharnierbandketten aus Edelstahl

812 GT/815 GT

Catena rettilinea
Straight running chain / Geradegängige Scharnierbandkette

Delivery: **Easy** **Standard**

Pins: Martensitic 1.4057 | Backflex radius min.: 120 mm



Article-Nr.	Ref.	A (Plate Width) mm	B (Rubber Width) mm	Weight kg/m	Max working load (N)	Plate/Rubber Thickness mm
-------------	------	--------------------	---------------------	-------------	----------------------	---------------------------

SS Ferritic Stainless Steel (1.4016)

10020202	SS 812 GT K325	82,5	75	2,80	5400	Plate 3,1 Rubber 3
-----------------	-----------------------	------	----	------	------	--------------------

SSE Specially treated Ferritic Stainless Steel (1.4589) - Hardened pins

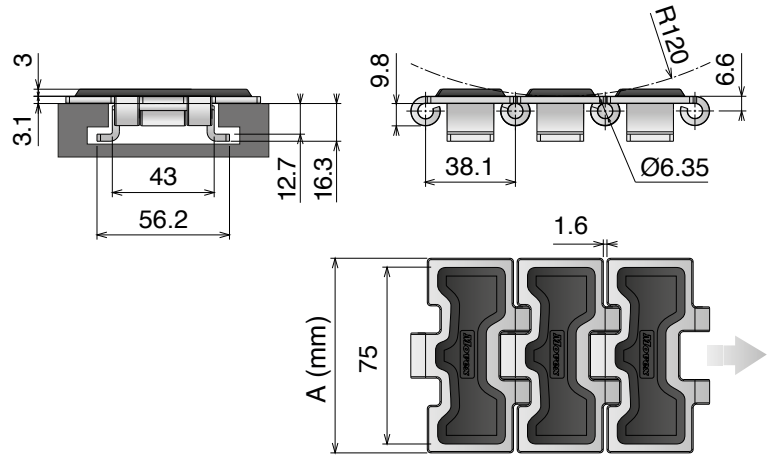
10020102	SSE 815 GT K325	82,5	75	2,80	6000	Plate 3,1 Rubber 3
10020105	SSE 815 GT K450	114,3	107	3,55		
10020107	SSE 815 GT K750	190,5	140	5,55		

815 TAB GT

Catena rettilinea / Straight running chain / Geradegängige Scharnierbandkette

Delivery: **Easy** Standard

Pins: Martensitic 1.4057 | Backflex radius min.: 120 mm



TAB SYSTEM



Article-Nr.	Ref.	A (Plate Width) mm	Weight kg/m	Max working load (N)	Plate/Rubber Thickness mm
-------------	------	--------------------	-------------	----------------------	---------------------------

SSE Specially treated Ferritic Stainless Steel (1.4589) - Hardened pins

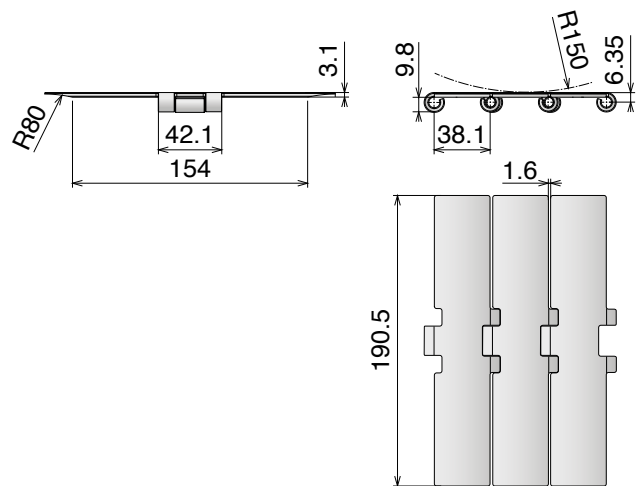
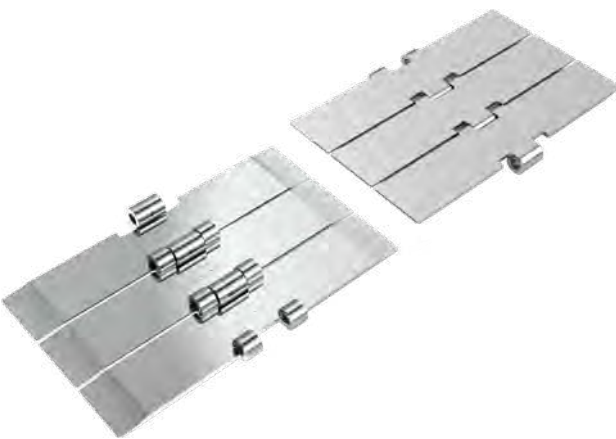
10200102	SSE 815 TAB GT K325	82,5	3,40	6000	Plate 3,1 Rubber 3
----------	---------------------	------	------	------	--------------------

815 Transfer wing

Catena rettilinea / Straight running chain / Geradegängige Scharnierbandkette

Delivery: **Easy** Standard

Pins: Martensitic 1.4057 | Backflex radius min.: 70 mm



Article-Nr.	Ref.	A (Plate Width) mm	Weight kg/m	Surface finish µm	Surface Flatness mm	Polished Hinge eyes	Max working load (N)	Plate Thickness mm
-------------	------	--------------------	-------------	-------------------	---------------------	---------------------	----------------------	--------------------

SSE Specially treated Ferritic Stainless Steel (1.4589) - Hardened pins

10250107	SSE 815 K750 TRANSFER WING	190,5	4,67	0,3	0,30	NO	6000	3,1
----------	----------------------------	-------	------	-----	------	----	------	-----

815 MINI-815 MINI GT

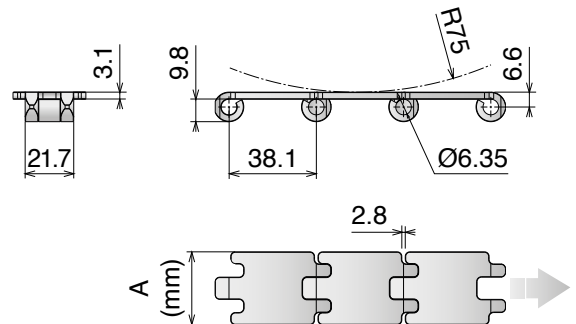
Catene in acciaio / Steel chains / Scharnierbandketten aus Edelstahl

815 MINI

Catena rettilinea
Straight running chain / Geradegängige Scharnierbandkette

Delivery: **Easy** **Standard**

Pins: Martensitic 1.4057 | Backflex radius min.: 75 mm



Article-Nr.	Ref.	A (Plate Width) mm	Weight kg/m	Max working load (N)	Plate Thickness mm
-------------	------	--------------------	-------------	----------------------	--------------------

SSE Specially treated Ferritic Stainless Steel (1.4589) - Hardened pins

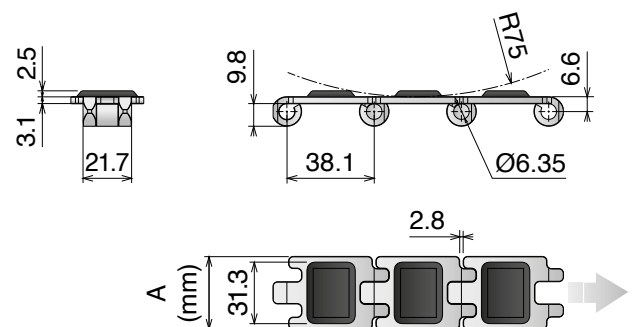
10210117	SSE 815 K125	31,75	1,07	3000	3,1
10210118	SSE 815 K175	44,45	1,35		

815 MINI GT

Catena rettilinea
Straight running chain / Geradegängige Scharnierbandkette

Delivery: **Easy** **Standard**

Pins: Martensitic 1.4057 | Backflex radius min.: 75 mm



Article-Nr.	Ref.	A (Plate Width) mm	B (Rubber Width) mm	Weight kg/m	Max working load (N)	Plate/Rubber Thickness mm
-------------	------	--------------------	---------------------	-------------	----------------------	---------------------------

SSE Specially treated Ferritic Stainless Steel (1.4589) - Hardened pins

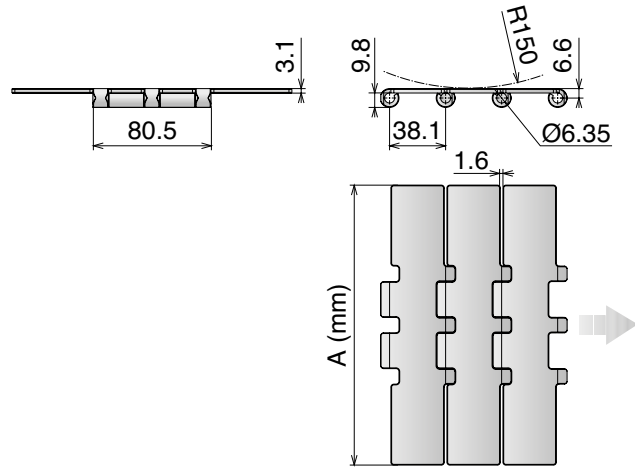
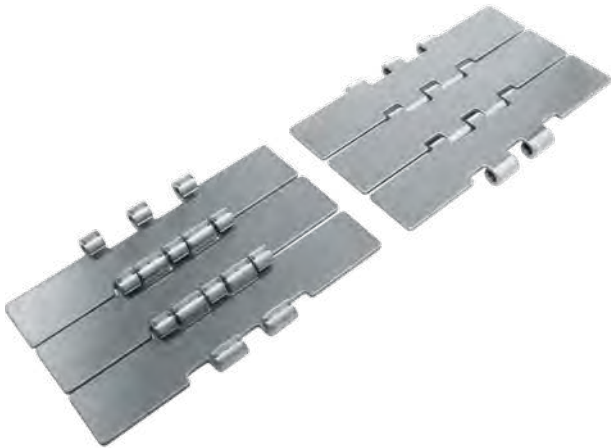
10230117	SSE 815 GT K125	31,75	31,3	1,20	4000	Plate 3,1 Rubber 2,5
----------	-----------------	-------	------	------	------	----------------------

802/805

Catena rettilinea
Straight running chain / Geradegängige Scharnierbandkette

Delivery: **Easy** **Standard**

Pins: Martensitic 1.4057 | Backflex radius min.: 150 mm



Article-Nr.	Ref.	A (Plate Width) mm	Weight kg/m	Surface finish μm	Max working load (N)	Plate Thickness mm
SS Ferritic Stainless Steel (1.4016)						
10030207	SS 802 K750	190,5	5,80	0,6	7000	3,1
SSE Specially treated Ferritic Stainless Steel (1.4589) - Hardened pins						
10030107	SSE 805 K750	190,5	5,80	0,3	9000	3,1
*SSA Austenitic Stainless Steel (AISI 304) - Austenitic pin						
10030407	SSA 805 K750	190,5	5,80	0,6	8700	3,1

802 GT/805 GT

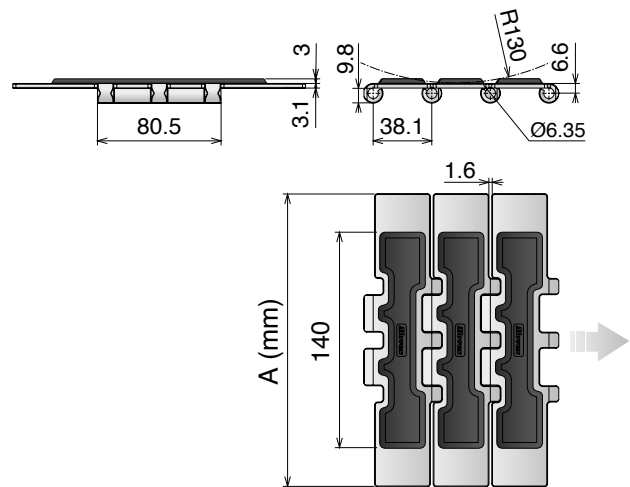
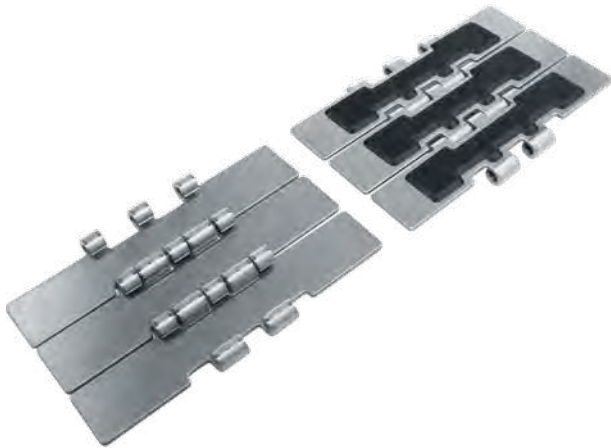
Catene in acciaio / Steel chains / Scharnierbandketten aus Edelstahl

802 GT/805 GT

Catena rettilinea
Straight running chain / Geradegängige Scharnierbandkette

Delivery: **Easy** Standard

Pins: Martensitic 1.4057 | Backflex radius min.: 130 mm



10 feet
3.048 m

80 links

pg. 84-96/111

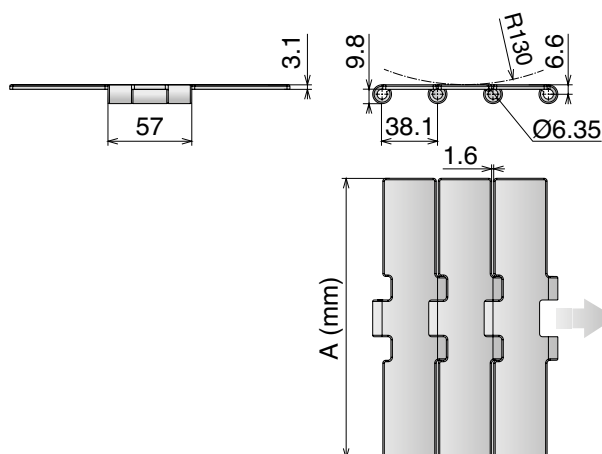
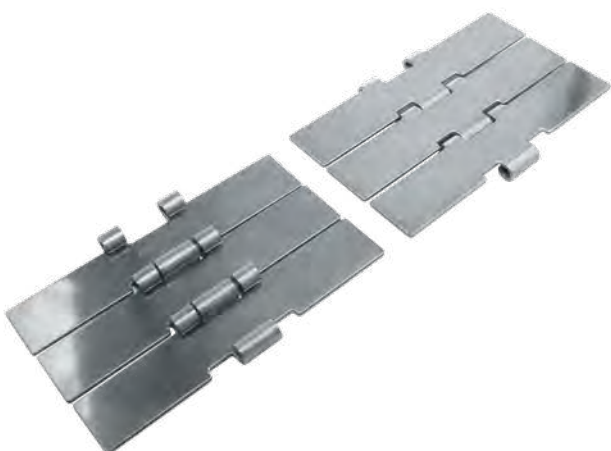
pg. 782>785

Article-Nr.	Ref.	A (Plate Width) mm	Weight kg/m	Max working load (N)	Plate/Rubber Thickness mm
SS Ferritic Stainless Steel (1.4016)					
10040207	SS 802 GT K750	190,5	6,20	7000	Plate 3,1 Rubber 3
SSE Specially treated Ferritic Stainless Steel (1.4589) - Hardened pins					
10040107	SSE 805 GT K750	190,5	6,20	9000	Plate 3,1 Rubber 3

8157 Catena rettilinea Straight running chain / Geradegängige Scharnierbandkette

Delivery: **Easy** **Standard**

Pins: Martensitic 1.4057 | Backflex radius min.: 130 mm



Article-Nr.	Ref.	A (Plate Width) mm	Weight kg/m	Surface finish µm	Max working load (N)	Plate Thickness mm
-------------	------	--------------------	-------------	-------------------	----------------------	--------------------

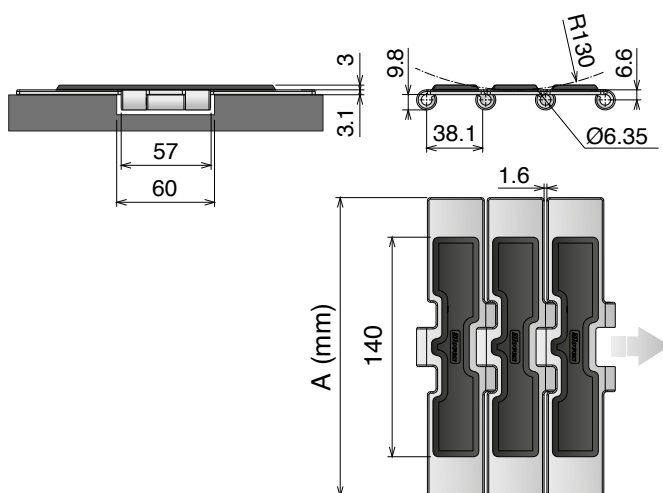
SSE Specially treated Ferritic Stainless Steel (1.4589) - Hardened pins

10050107	SSE 8157 K750	190,5	5,60	0,3	10000	3,1
-----------------	----------------------	-------	------	-----	-------	-----

8157 GT Catena rettilinea Straight running chain / Geradegängige Scharnierbandkette

Delivery: **Easy** **Standard**

Pins: Martensitic 1.4057 | Backflex radius min.: 130 mm



Article-Nr.	Ref.	A (Plate Width) mm	Weight kg/m	Max working load (N)	Plate/Rubber Thickness mm
-------------	------	--------------------	-------------	----------------------	---------------------------

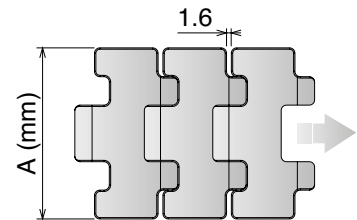
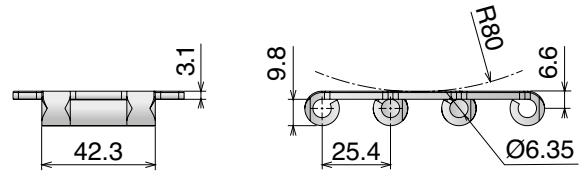
SSE Specially treated Ferritic Stainless Steel (1.4589) - Hardened pins

10060107	SSE 8157 GT K750	190,5	6,00	10000	Plate 3,1 Rubber 3
-----------------	-------------------------	-------	------	-------	--------------------

512 Catena rettilinea Straight running chain / Geradegängige Scharnierbandkette

Delivery: **Easy** **Standard**

Pins: Martensitic 1.4057 | Backflex radius min.: 80 mm



Article-Nr.	Ref.	A (Plate Width) mm	Weight kg/m	Surface finish µm	Max working load (N)	Plate Thickness mm
-------------	------	--------------------	-------------	-------------------	----------------------	--------------------

SSE Specially treated Ferritic Stainless Steel (1.4589) - Hardened pins

10070100	SSE 512 K217	55,1	2,30	0,3	5000	3,1
10070101	SSE 512 K236	59,9	2,40	0,3		
10070108	SSE 512 K250	63,5	2,45	0,3		
10070109	SSE 512 K283	71,9	2,65	0,3		
10070102	SSE 512 K325	82,5	2,90	0,3		
10070104	SSE 512 K350	88,9	3,00	0,3		
10070114	SSE 512 K400	101,6	3,30	0,3		

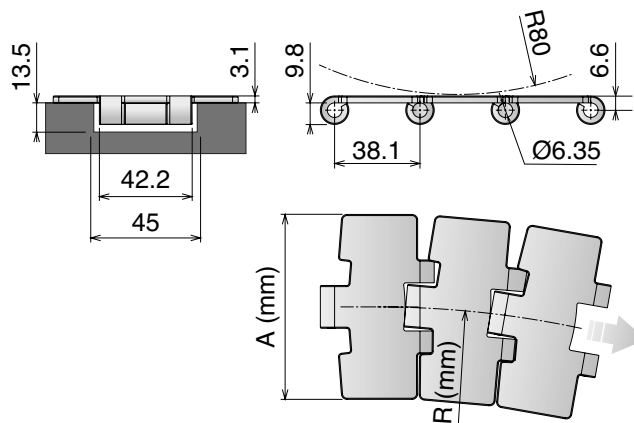
*SSA Austenitic Stainless Steel (AISI 304) - Austenitic pin

10070400	SSA 512 K217	55,1	2,30	0,3	4500	3,1
10070401	SSA 512 K236	59,9	2,40	0,3		
10070408	SSA 512 K250	63,5	2,45	0,3		
10070409	SSA 512 K283	71,9	2,65	0,3		
10070414	SSA 512 K400	101,6	3,30	0,3		

881 M Catena curvilinea Sideflexing chain / Kurvengängige Scharnierbandkette

Delivery: **Easy** **Standard**

Pins: Martensitic 1.4057 | Backflex radius min.: 80 mm



MAGNETIC SYSTEM



10 feet
3.048 m



80 links



pg. 80->83-95/110-112



pg. 123->138



Easy Transfer
Curves
pg. 186/187



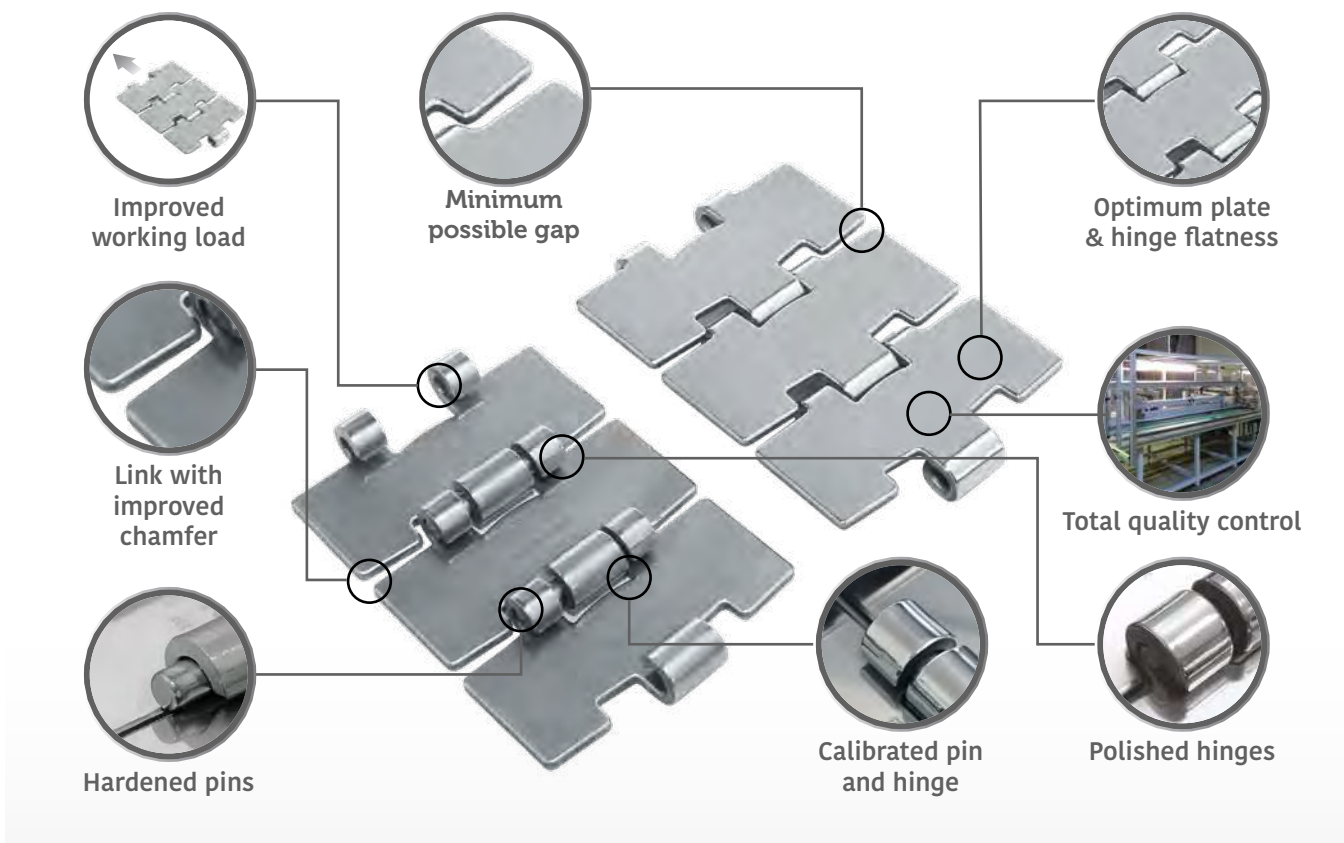
pg. 782->785

Article-Nr.	Ref.	A (Plate Width) mm	R mm	Weight kg/m	Surface finish μm	Surface Flatness mm	Polished Hinge eyes	Max working load (N)	Plate Thickness mm
-------------	------	--------------------	------	-------------	------------------------------	---------------------	---------------------	----------------------	--------------------

SSM Max Speed - Hardened pins

10080302	SSM 881 M0 K325	82,5	500	2,55	0,2	0,08	YES	6000	3,1
10080303	SSM 881 M0 K330	83,8	500	2,59	0,2	0,08	YES		

Max Speed High Performance

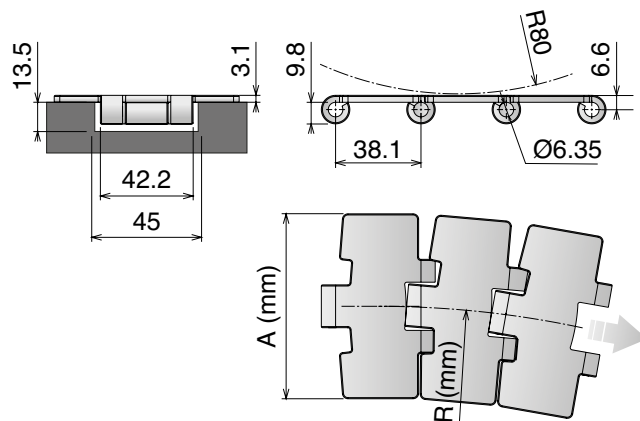


881 M

Catena curvilinea
Sideflexing chain / Kurvengängige Scharnierbandkette

Delivery: **Easy** **Standard**

Pins: Martensitic 1.4057 | Backflex radius min.: 80 mm



MAGNETIC SYSTEM

10 feet 3.048 m	pg. 80->83-95/110-112	pg. 123->138	Easy Transfer Curves pg. 186/187	pg. 782->785
80 links				

Article-Nr.	Ref.	A (Plate Width) mm	R mm	Weight kg/m	Surface finish μm	Surface Flatness mm	Polished Hinge eyes	Max working load (N)	Plate Thickness mm
-------------	------	--------------------	------	-------------	------------------------------	---------------------	---------------------	----------------------	--------------------

SS Ferritic Stainless Steel (1.4016)

10080202	SS 881 MO K325	82,5	500	2,55	0,5	0,15	YES	5400	3,1
10080203	SS 881 MO K330	83,8	500	2,59	0,5	0,15	YES		
10080205	SS 881 MO K450	114,3	500	3,10	0,5	0,20	YES		
10080207	SS 881 MO K750	190,5	500	4,85	0,5	0,30	YES		

SSE Specially treated Ferritic Stainless Steel (1.4589) - Hardened pins

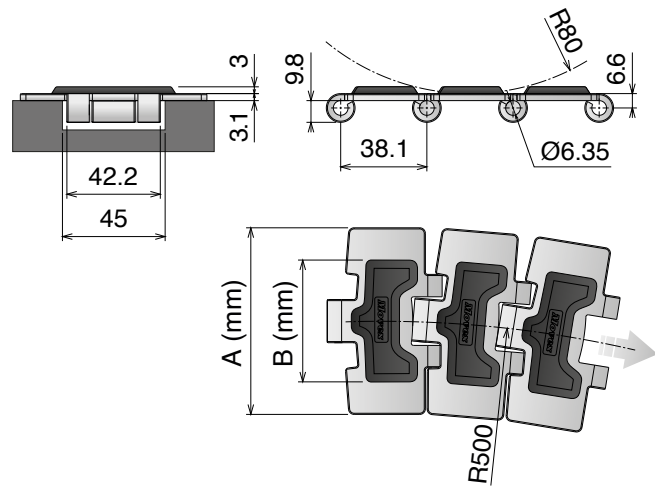
10080102	SSE 881 MO K325	82,5	500	2,55	0,3	0,10	YES	6000	3,1
10080103	SSE 881 MO K330	83,8	500	2,59	0,3	0,10	YES		
10080105	SSE 881 MO K450	114,3	500	3,10	0,3	0,20	YES		
10080107	SSE 881 MO K750	190,5	500	4,85	0,3	0,30	YES		

881 M GT

Catena curvilinea
Sideflexing chain / Kurvengängige Scharnierbandkette

Delivery: **Easy** **Standard**

Pins: Martensitic 1.4057 | Backflex radius min.: 80 mm



MAGNETIC SYSTEM

10 feet
3.048 m
80 links

pg. 80->83-95/110-112

pg. 123->138

Easy Transfer
Curves
pg. 186/187

pg. 782->785

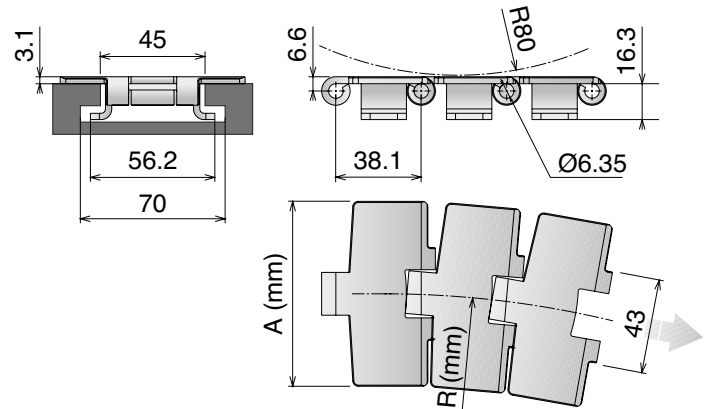
Article-Nr.	Ref.	A (Plate Width) mm	B (Rubber Width) mm	Weight kg/m	Max working load (N)	Plate/Rubber Thickness mm
SSE Specially treated Ferritic Stainless Steel (1.4589) - Hardened pins						
10090102	SSE 881 M GT K325	82,5	57	2,80	6000	Plate 3,1 Rubber 3
10090107	SSE 881 M GT K750	190,5	140	5,00		

881 TAB

Catena curvilinea
Sideflexing chain / Kurvengängige Scharnierbandkette

Delivery: **Easy** **Standard**

Pins: Martensitic 1.4057 | Backflex radius min.: 80 mm



TAB SYSTEM



Article-Nr.	Ref.	A (Plate Width) mm	R mm	Weight kg/m	Surface finish µm	Max working load (N)	Plate Thickness mm
-------------	------	--------------------	------	-------------	-------------------	----------------------	--------------------

SS Ferritic Stainless Steel (1.4016)

10100202	SS 881 TAB K325	82,5	457	3,00	0,3	5400	3,1
----------	-----------------	------	-----	------	-----	------	-----

SSE Specially treated Ferritic Stainless Steel (1.4589) - Hardened pins

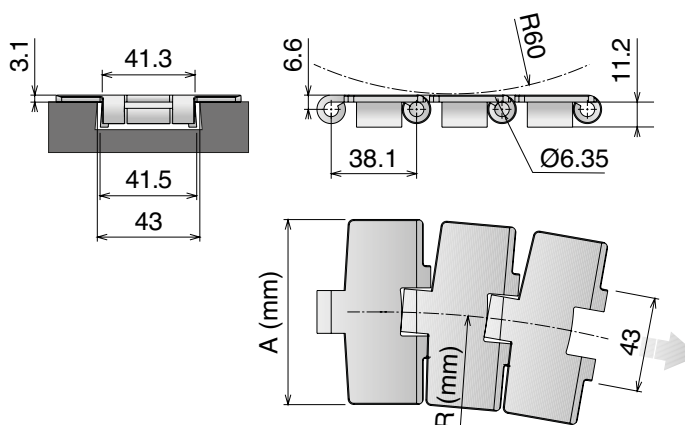
10100102	SSE 881 TAB K325	82,5	457	3,00	0,3	6000	3,1
10100105	SSE 881 TAB K450	114,3	500	3,69	0,3		
10100107	SSE 881 TAB K750	190,5	500	5,50	0,3		

*SSA Austenitic Stainless Steel (AISI 304) - Austenitic pin

10100402	SSA 881 TAB K325	82,5	457	3,00	0,3	4500	3,1
10100405	SSA 881 TAB K450	114,3	500	3,69	0,3		
10100407	SSA 881 TAB K750	190,5	500	5,50	0,3		

881 B Catena curvilinea Sideflexing chain / Kurvengängige Scharnierbandkette

Pins: Martensitic 1.4057 | Backflex radius min.: 60 mm



BEVEL SYSTEM



10 feet
3.048 m



80 links
pg. 82-83/112



pg. 182



pg. 782>785

Article-Nr.	Ref.	A (Plate Width) mm	R mm	Weight kg/m	Surface finish µm	Max working load (N)	Plate Thickness mm
-------------	------	-----------------------	---------	----------------	----------------------	-------------------------	-----------------------

SSE Specially treated Ferritic Stainless Steel (1.4589) - Hardened pins

10120102	SSE 881 K325	82,5	457	2,95	0,3	6000	3,1
10120104	SSE 881 K350	88,9	500	3,00	0,3		
10120105	SSE 881 K450	114,3	500	3,65	0,3		
10120107	SSE 881 K750	190,5	500	5,45	0,3		

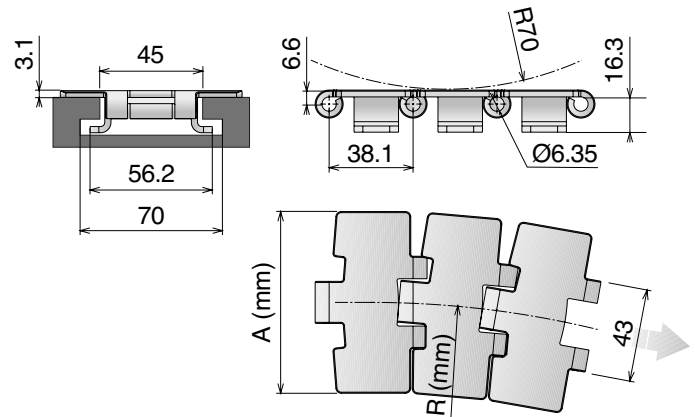
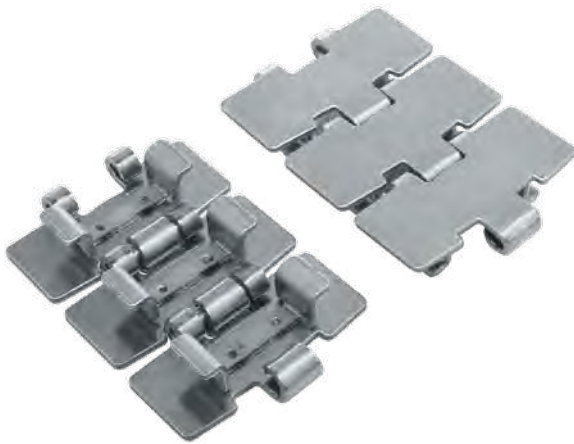
*SSA Austenitic Stainless Steel (AISI 304) - Austenitic pin

10120402	SSA 881 K325	82,5	457	2,95	0,3	4500	3,1
10120405	SSA 881 K450	114,3	500	3,65	0,3		
10120407	SSA 881 K750	190,5	500	5,45	0,3		

8811 TAB Catena curvilinea Sideflexing chain / Kurvengängige Scharnierbandkette

Delivery: **Easy** **Standard**

Pins: Martensitic 1.4057 | Backflex radius min.: 70 mm



TAB SYSTEM



Article-Nr.	Ref.	A (Plate Width) mm	R mm	Weight kg/m	Surface finish µm	Max working load (N)	Plate Thickness mm
-------------	------	--------------------	------	-------------	-------------------	----------------------	--------------------

SS Ferritic Stainless Steel (1.4016)

10140202	SS 8811 TAB K325	82,5	500	2,95	0,3	5400	3,1
10140203	SS 8811 TAB K330	83,8	500	3,05	0,3		
10140205	SS 8811 TAB K450	114,3	500	3,65	0,3		
10140207	SS 8811 TAB K750	190,5	500	5,45	0,3		

SSE Specially treated Ferritic Stainless Steel (1.4589) - Hardened pins

10140102	SSE 8811 TAB K325	82,5	500	2,95	0,3	6000	3,1
10140103	SSE 8811 TAB K330	83,8	500	3,05	0,3		
10140104	SSE 8811 TAB K350	88,9	500	3,15	0,3		
10140105	SSE 8811 TAB K450	114,3	500	3,65	0,3		
10140107	SSE 8811 TAB K750	190,5	500	5,45	0,3		

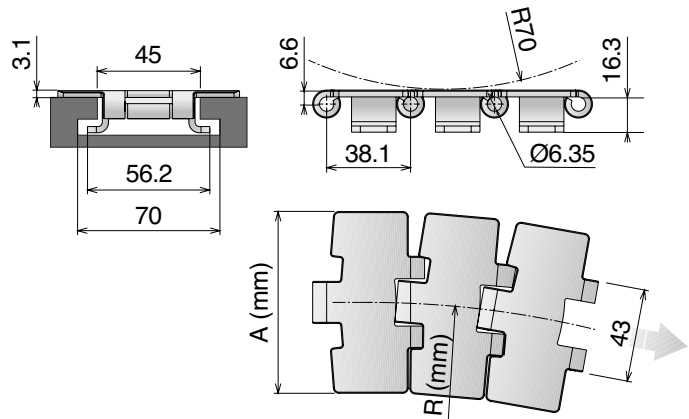
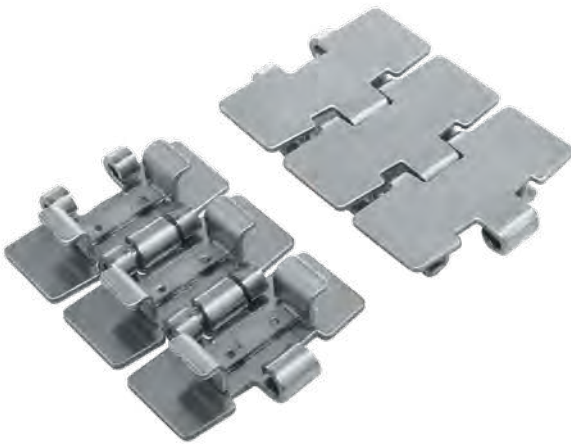
*SSA Austenitic Stainless Steel (AISI 304) - Austenitic pin

10140402	SSA 8811 TAB K325	82,5	500	2,95	0,3	4500	3,1
10140403	SSA 8811 TAB K330	83,8	500	3,05	0,3		
10140405	SSA 8811 TAB K450	114,3	500	3,65	0,3		
10140407	SSA 8811 TAB K750	190,5	500	5,45	0,3		

8811 R TAB

Catena curvilinea
Sideflexing chain / Kurvengängige Scharnierbandkette

Pins: Martensitic 1.4057 | Backflex radius min.: 80 mm



TAB SYSTEM

SMALL RADIUS

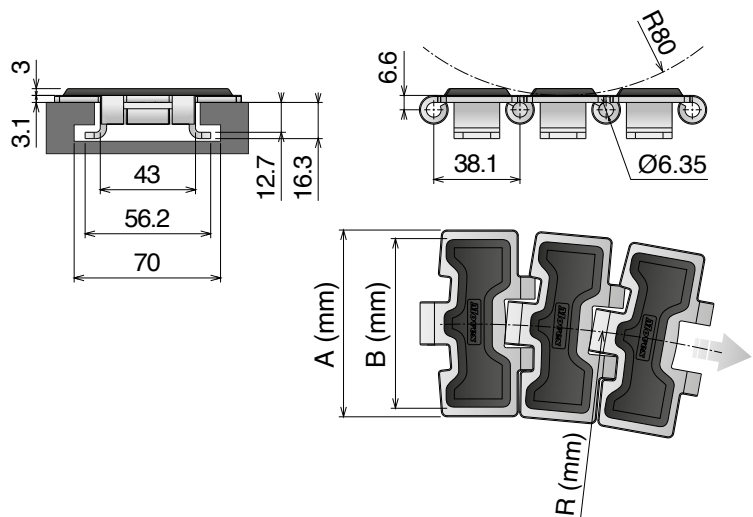


Article-Nr.	Ref.	A (Plate Width) mm	R mm	Weight kg/m	Surface finish µm	Max working load (N)	Plate Thickness mm
SS Ferritic Stainless Steel (1.4016)							
10240202	SS 8811R TAB K325	82,5	200	2,78	0,3	5400	3,1

8811 TAB GT

Catena curvilinea
Sideflexing chain / Kurvengängige Scharnierbandkette

Pins: Martensitic 1.4057 | Backflex radius min.: 80 mm



TAB SYSTEM



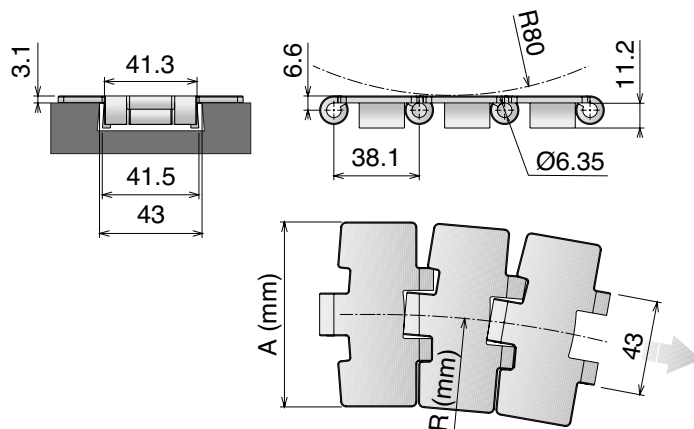
Article-Nr.	Ref.	A (Plate Width) mm	B (Rubber Width) mm	R mm	Weight kg/m	Max working load (N)	Plate/Rubber Thickness mm
SSE Specially treated Ferritic Stainless Steel (1.4589) - Hardened pins							
10150102	SSE 8811 TAB GT K325	82,5	75	500	3,20	6000	Plate 3,1
10150107	SSE 8811 TAB GT K750	190,5	140	500	5,70		Rubber 3

8811 B

Catena curvilinea
Sideflexing chain / Kurvengängige Scharnierbandkette

Delivery: **Easy** **Standard**

Pins: Martensitic 1.4057 | Backflex radius min.: 80 mm



BEVEL SYSTEM



80 links



pg. 82-83/112



pg. 182



pg. 782>785

Article-Nr.	Ref.	A (Plate Width) mm	R mm	Weight kg/m	Surface finish µm	Max working load (N)	Plate Thickness mm
-------------	------	--------------------	------	-------------	-------------------	----------------------	--------------------

SSE Specially treated Ferritic Stainless Steel (1.4589) - Hardened pins

10160102	SSE 8811 K325	82,5	500	2,90	0,3	6000	3,1
10160104	SSE 8811 K350	88,9	500	3,15	0,3		
10160105	SSE 8811 K450	114,3	500	3,60	0,3		
10160107	SSE 8811 K750	190,5	500	5,40	0,3		

***SSA Austenitic Stainless Steel (AISI 304) - Austenitic pin**

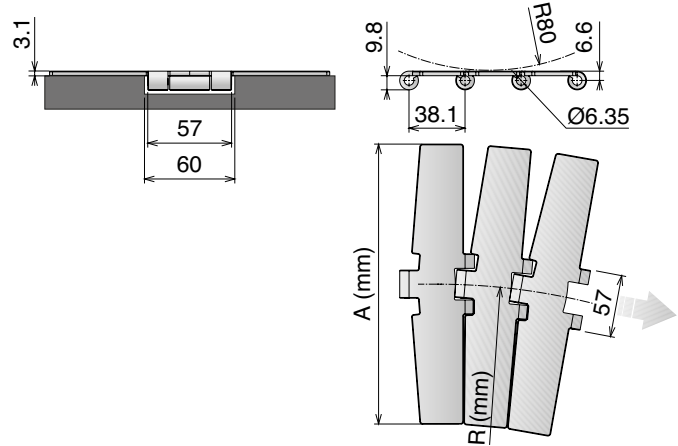
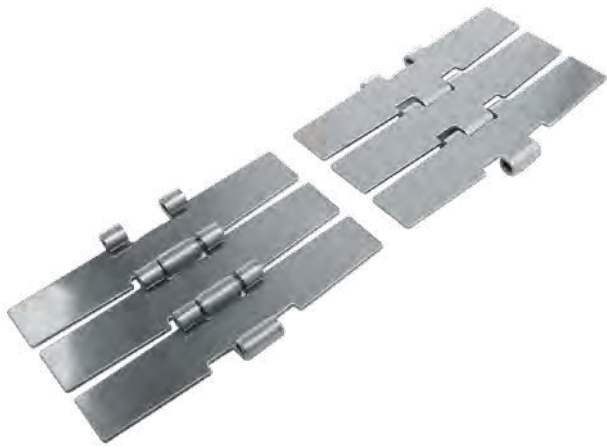
10160402	SSA 8811 K325	82,5	500	2,90	0,3	4500	3,1
10160404	SSA 8811 K350	88,9	500	3,15	0,3		
10160405	SSA 8811 K450	114,3	500	3,60	0,3		
10160407	SSA 8811 K750	190,5	500	5,40	0,3		

8857 M

Catena curvilinea
Sideflexing chain / Kurvengängige Scharnierbandkette

Delivery: **Easy** **Standard**

Pins: Martensitic 1.4057 | Backflex radius min.: 80 mm



MAGNETIC SYSTEM



80 links



pg. 85-95/113



pg. 140->142



pg. 782->785

Article-Nr.	Ref.	A (Plate Width) mm	R mm	Weight kg/m	Surface finish µm	Max working load (N)	Plate Thickness mm
-------------	------	--------------------	------	-------------	-------------------	----------------------	--------------------

SSE Specially treated Ferritic Stainless Steel (1.4589) - Hardened pins

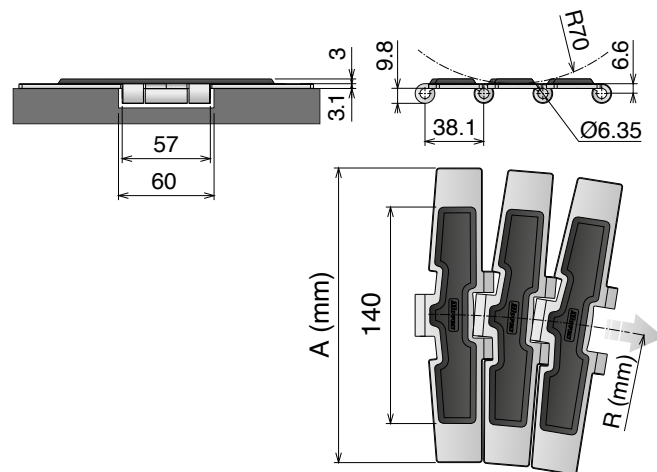
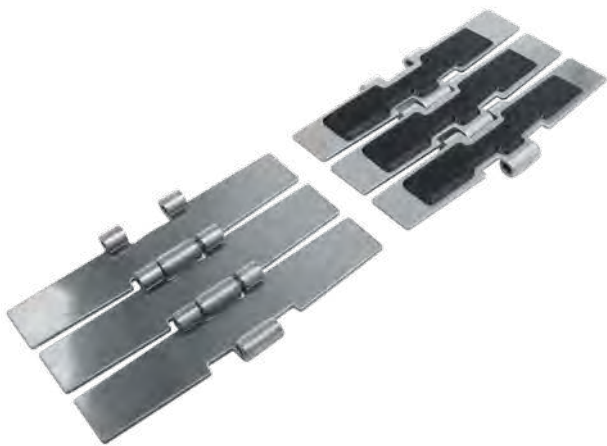
10180107	SSE 8857 M K750	190,5	750	5,30	0,3	10000	3,1
----------	-----------------	-------	-----	------	-----	-------	-----

8857 M GT

Catena curvilinea
Sideflexing chain / Kurvengängige Scharnierbandkette

Delivery: **Easy** **Standard**

Pins: Martensitic 1.4057 | Backflex radius min.: 70 mm



MAGNETIC SYSTEM



80 links



pg. 85-95/113



pg. 139->144



pg. 782->785

Article-Nr.	Ref.	A (Plate Width) mm	R mm	Weight kg/m	Surface finish µm	Max working load (N)	Plate/Rubber Thickness mm
-------------	------	--------------------	------	-------------	-------------------	----------------------	---------------------------

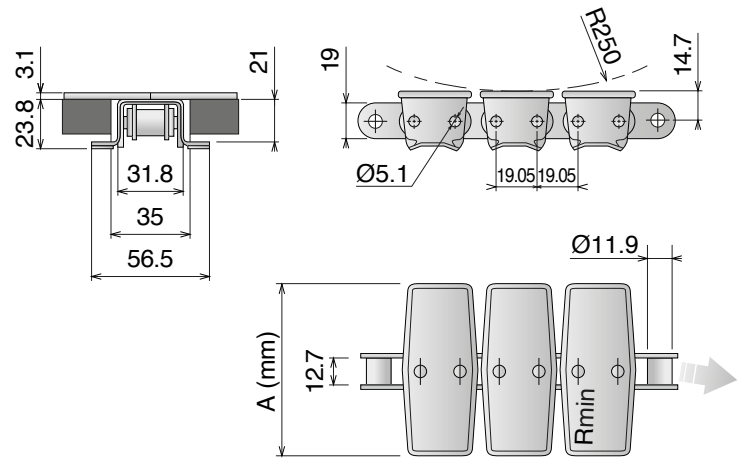
SSE Specially treated Ferritic Stainless Steel (1.4589) - Hardened pins

10190107	SSE 8857 M GT K750	190,5	750	5,70	0,3	10000	Plate 3,1 Rubber 3
----------	--------------------	-------	-----	------	-----	-------	--------------------

1874 TAB Catena curvilinea Sideflexing chain / Kurvengängige Scharnierbandkette

Delivery: **Easy** **Standard**

Backflex radius min.: 250 mm



Standard length roller chain: 160 Pitches

TAB SYSTEM

10 feet
3.048 m
80 links

SPROCKET
ASA 60
Standard on market

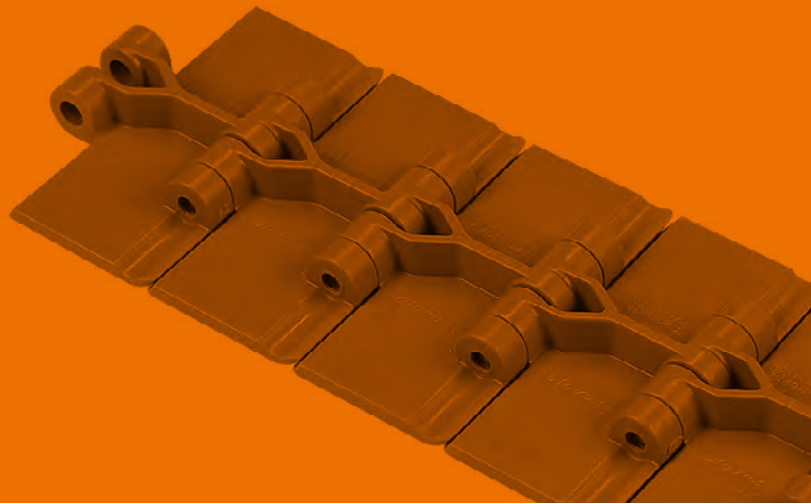
pg. 175/184

pg. 782>785

Article-Nr.	Ref.	A (Plate Width) mm	R mm	Weight kg/m	Surface finish µm	Max working load (N)	Plate Thickness mm
-------------	------	--------------------	------	-------------	-------------------	----------------------	--------------------

*SSA Austenitic Stainless Steel (AISI 304)

10220202	SS 1874 TAB K325	82,5	381	4,20	0,5	4500	3,1
10220205	SS 1874 TAB K450	114,3	381	4,80	0,5		
10220206	SS 1874 TAB K600	152,4	457	5,70	0,5		
10220207	SS 1874 TAB K750	190,5	610	6,40	0,5		









820  Page 29/30	820 V  Page 31	820 Plastic pin  Page 31	828  Page 32	831  Page 33	821  Page 34
--	--	--	--	---	--

821 GT  Page 35	821 LBP  Page 36	8257  Page 37	8257 GT  Page 38	8257 LBP  Page 39	878 TAB  Page 40
--	--	---	--	--	--

879 M  Page 41	879 TAB  Page 42	888 TAB  Page 43	888 TAB GT  Page 44	880 M  Page 45	880 TAB  Page 46
---	--	--	---	---	--

880 V TAB  Page 47	880 TAB Plastic pin  Page 48	880 TAB B0  Page 48	880 B  Page 49	882 M  Page 50	882 M GT  Page 51
---	--	---	--	---	---

882 M LBP  Page 52	882 TAB  Page 53	882 TAB GT  Page 54	882 TAB LBP  Page 55	1843  Page 56	1863  Page 57
---	--	---	--	--	---

1873  Page 58	1873 GB2 TWISTER  Page 59	1873 GT  Page 60	1873 GRIPPER GS1  Page 61	1873 GRIPPER GS2  Page 62	1873 GRIPPER GS4  Page 63
--	---	--	---	--	---

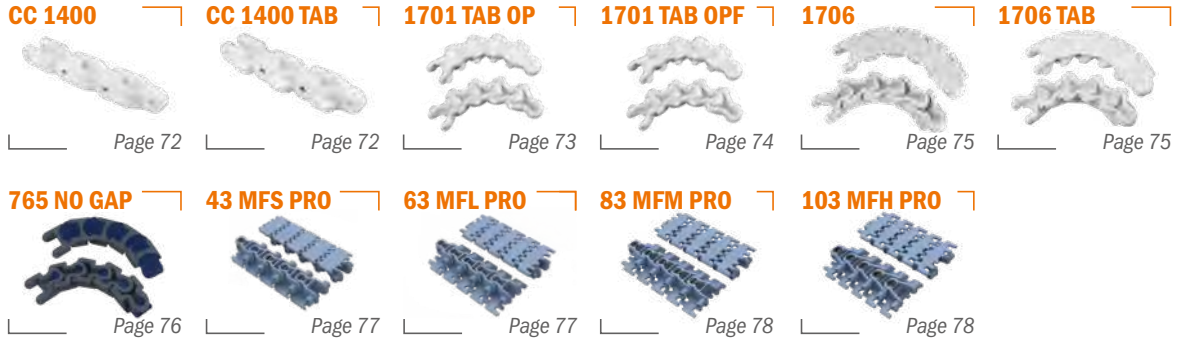
1873 D-SHAPE  Page 64	1873 MX1  Page 65	1873 MX2  Page 66	878 GRIPPER GS1  Page 67	878 GRIPPER GS2  Page 67	878 GRIPPER GS4  Page 67
--	---	---	--	---	--

1883  Page 68	1883 GT  Page 69	CC 600  Page 70	CC 600 TAB  Page 70	CC 600 D  Page 71	CC 600 D TAB  Page 71
--	--	---	---	--	---

Material Info:



pg. 771 > 781



PFX

The best choice for dry running applications.

PFX is the plastic material specifically developed for chains and belts in order to run with limited lubrication or in dry applications where the demands are extreme concerning speed, performance & efficiency.

Contact us, and request a free quotation!

820 FT



Low friction

Developed to reduce friction between chain and product, and chain and wearstrip.

828 FT



Minimal dusting

Developed to avoid dusting under extreme circumstances.

880 M



Food contact Certified

PFX material is suitable in food application.

880 TAB



High performance

Longer wear life lead to excellent and long enduring product handling features.



Control of cost

Better control of total cost & sustainable conveyor technology.



Patented material

PFX is an exclusive product of Movex.

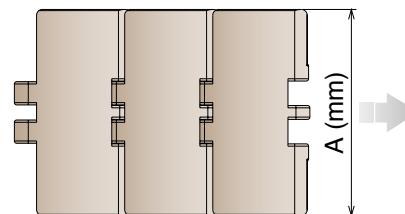
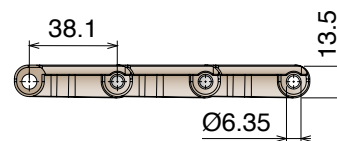
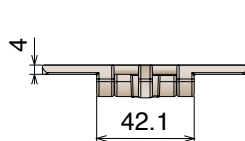
Other different types of product in PFX are on request.

820

Catena rettilinea
Straight running chain / Geradegängige Scharnierbandkette

Delivery: **Easy** **Standard**

Pins: Stainless Steel | Backflex radius min.: 50 mm



80 links



86-87-96/110



pg. 771>781

Article-Nr.	Ref.	A (Plate Width) mm	Weight kg/m	Max working load N	Material
11010102	LF 820 K325	82,5	0,89	1625	LF
11010103	LF 820 K330	83,8	0,90		
11010104	LF 820 K350	88,9	0,91		
11010114	LF 820 K400	101,6	0,95		
11010105	LF 820 K450	114,3	1,00		
11010106	LF 820 K600	152,4	1,22		
11010107	LF 820 K750	190,5	1,43		
11010302	MX 820 K325	82,5	0,89	1260	MX
11010303	MX 820 K330	83,8	0,90		
11010304	MX 820 K350	88,9	0,91		
11010314	MX 820 K400	101,6	0,95		
11010305	MX 820 K450	114,3	1,00		
11010306	MX 820 K600	152,4	1,22		
11010307	MX 820 K750	190,5	1,43		

820 Series

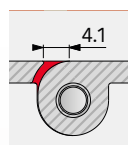
PRODUCT UPDATE

Movex created an optimized version in which the gap between the links is 45% lower and the contact surface has increased up to a maximum of 15%: the result is an improved product stability. The new design is completely interchangeable and connectable with the previous one.

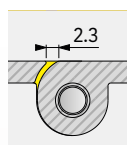
Advantages:

- Improved stability
- Increased sliding surface
- Minimized open gap
- Same backflex radius

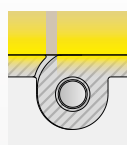
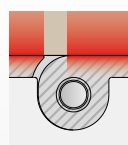
PREVIOUS VERSION



CURRENT VERSION



-45%
OPEN GAP

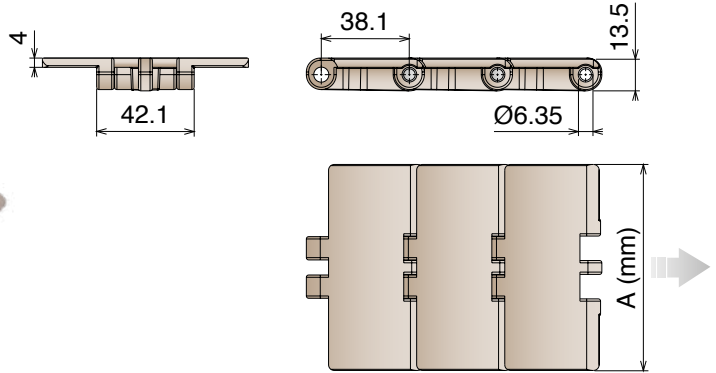


+15%
CONTACT SURFACE

820 Catena rettilinea Straight running chain / Geradegängige Scharnierbandkette

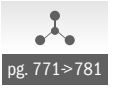
Delivery: **Easy** **Standard**

Pins: Stainless Steel | Backflex radius min.: 50 mm



-45%
OPEN GAP

+15%
CONTACT SURFACE

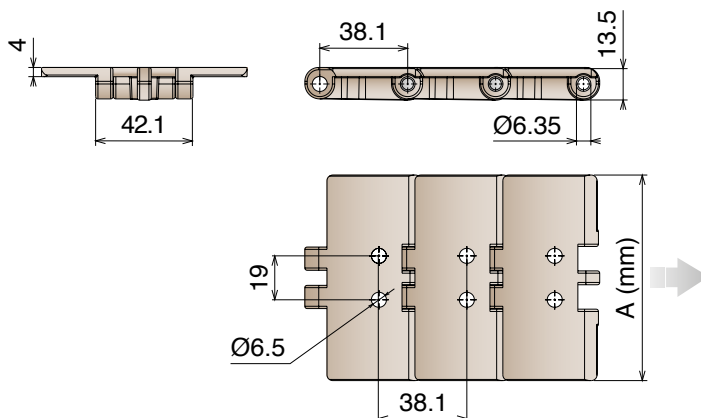


Article-Nr.	Ref.	A (Plate Width) mm	Weight kg/m	Max working load N	Material
11013002	PFX 820 K325	82,5	0,89	1260	PFX
11013003	PFX 820 K330	83,8	0,90		
11013004	PFX 820 K350	88,9	0,91		
11013014	PFX 820 K400	101,6	0,95		
11013005	PFX 820 K450	114,3	1,00		
11013006	PFX 820 K600	152,4	1,22		
11013007	PFX 820 K750	190,5	1,43		
11012502	MPX 820 K325	82,5	0,89	1625	MPX
11012503	MPX 820 K330	83,8	0,90		
11012504	MPX 820 K350	88,9	0,91		
11012514	MPX 820 K400	101,6	0,95		
11012505	MPX 820 K450	114,3	1,00		
11012506	MPX 820 K600	152,4	1,22		
11012507	MPX 820 K750	190,5	1,43		
11011602	DKM 820 K325	82,5	0,89	1625	DKM
11011603	DKM 820 K330	83,8	0,90		
11011604	DKM 820 K350	88,9	0,91		
11011614	DKM 820 K400	101,6	0,95		
11011605	DKM 820 K450	114,3	1,00		
11011606	DKM 820 K600	152,4	1,22		
11011607	DKM 820 K750	190,5	1,43		
11011702	MWX 820 K325	82,5	0,89	1625	MWX
11011703	MWX 820 K330	83,8	0,90		
11011704	MWX 820 K350	88,9	0,91		
11011714	MWX 820 K400	101,6	0,95		
11011705	MWX 820 K450	114,3	1,00		
11011706	MWX 820 K600	152,4	1,22		
11011707	MWX 820 K750	190,5	1,43		

820 V

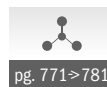
Catena rettilinea
Straight running chain / Geradegängige Scharnierbandkette

Pins: Stainless Steel | Backflex radius min.: 50 mm



-45%
OPEN GAP

+15%
CONTACT SURFACE

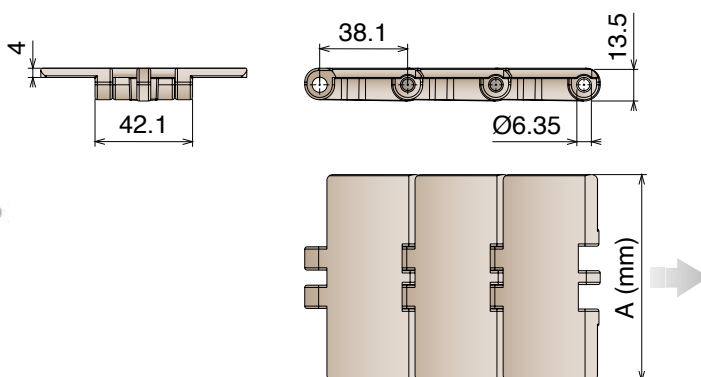


Article-Nr.	Ref.	A (Plate Width) mm	Weight kg/m	Max working load N	Material
11550102	LF 820 V2 K325	82,5	0,89	1625	LF
11550105	LF 820 V2 K450	114,3	1,00		

820

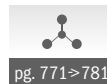
Plastic pin Catena rettilinea con perno in plastica
Straight running chain with plastic pin / Geradegängige Scharnierbandkette mit plastic bolzen

Pins: Reinforced acetal resin | Backflex radius min.: 50 mm



-45%
OPEN GAP

+15%
CONTACT SURFACE



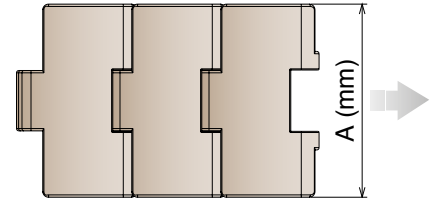
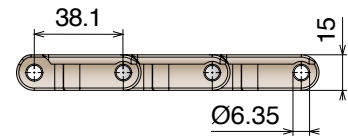
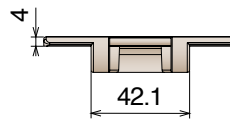
Article-Nr.	Ref.	A (Plate Width) mm	Weight kg/m	Max working load N	Material
11630102	LF 820 K325	82,5	0,69	650	LF
11630105	LF 820 K450	114,3	0,80		

828

Catena rettilinea
Straight running chain / Geradegängige Scharnierbandkette

Delivery: **Easy** **Standard**

Pins: Stainless Steel | Backflex radius min.: 50 mm



80 links



pg. 90-91/110



pg. 771>781

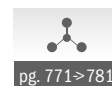
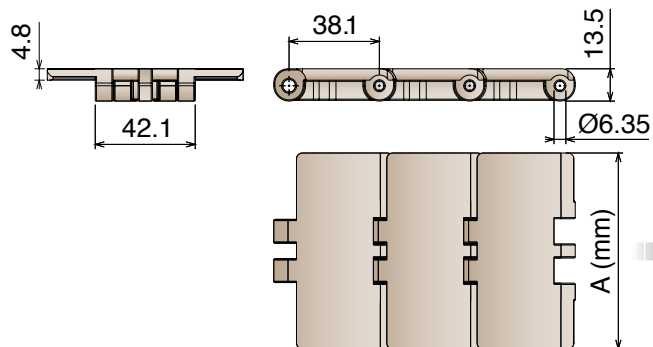
Article-Nr.	Ref.	A (Plate Width) mm	Weight kg/m	Max working load N	Material
11020102	LF 828 K325	82,5	1,07	2320	LF
11020103	LF 828 K330	83,8	1,13		
11020302	MX 828 K325	82,5	1,07	1860	MX
11020303	MX 828 K330	83,8	1,13		
11023002	PFX 828 K325	82,5	1,07	1860	PFX
11023003	PFX 828 K330	83,8	1,13		
11022502	MPX 828 K325	82,5	1,07	2320	MPX
11022503	MPX 828 K330	83,8	1,13		

831

Catena rettilinea
Straight running chain / Geradegängige Scharnierbandkette

Delivery: **Easy** **Standard**

Pins: Stainless Steel | Backflex radius min.: 50 mm

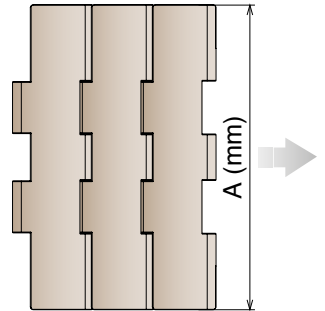
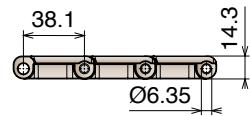
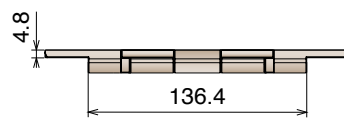


Article-Nr.	Ref.	A (Plate Width) mm	Weight kg/m	Max working load N	Material
11030102	LF 831 K325	82,5	1,00	1625	LF
11030105	LF 831 K450	114,3	1,28		
11030107	LF 831 K750	190,5	1,80		
11030302	MX 831 K325	82,5	1,00	1260	MX
11030305	MX 831 K450	114,3	1,28		
11030307	MX 831 K750	190,5	1,80		

821 Catena rettilinea Straight running chain / Geradegängige Scharnierbandkette

Delivery: **Easy** **Standard**

Pins: Stainless Steel | Backflex radius min.: 50 mm



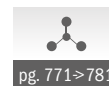
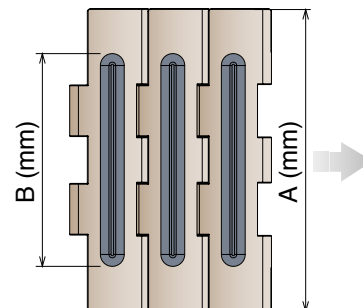
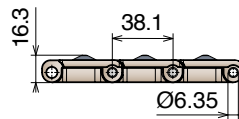
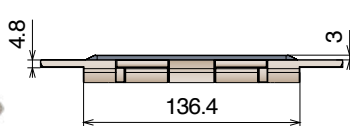
Article-Nr.	Ref.	A (Plate Width) mm	Weight kg/m	Max working load N	Material
11040107	LF 821 K750	190,5	2,55	2770	LF
11040108	LF 821 K1000	254,0	3,05		
11040109	LF 821 K1200	304,8	3,35		
11040307	MX 821 K750	190,5	2,55	2200	MX
11040308	MX 821 K1000	254,0	3,05		
11040309	MX 821 K1200	304,8	3,35		
11042507	MPX 821 K750	190,5	2,55	2770	MPX
11042508	MPX 821 K1000	254,0	3,05		
11042509	MPX 821 K1200	304,8	3,35		

821 GT

Catena rettilinea
Straight running chain / Geradegängige Scharnierbandkette

Delivery: **Easy** **Standard**

Pins: Stainless Steel | Backflex radius min.: 50 mm | TPE Rubber: 50 ShA



Article-Nr.	Ref.	A (Plate Width) mm	B (Rubber Width) mm	Weight kg/m	Max working load N	Material
11050107	LF 821 GT K750	190,5	134,0	2,55	2770	LF
11050108	LF 821 GT K1000	254,0	192,0	3,05		
11050109	LF 821 GT K1200	304,8	252,0	3,35		
11050307	MX 821 GT K750	190,5	134,0	2,55	2200	MX
11050308	MX 821 GT K1000	254,0	192,0	3,05		
11050309	MX 821 GT K1200	304,8	252,0	3,35		

821 LBP

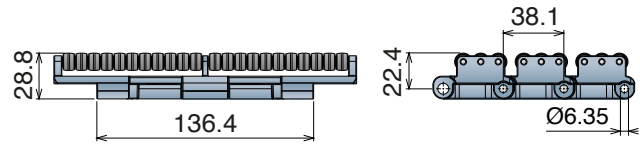
Catene in plastica / Plastic chains / Kunststoffkette

821 LBP

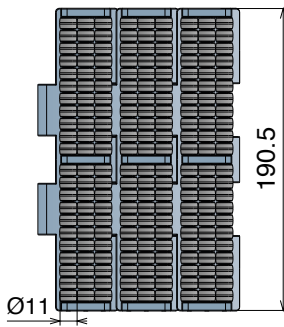
Catena rettilinea
Straight running chain / Geradegängige Scharnierbandkette

Delivery: **Easy** **Standard**

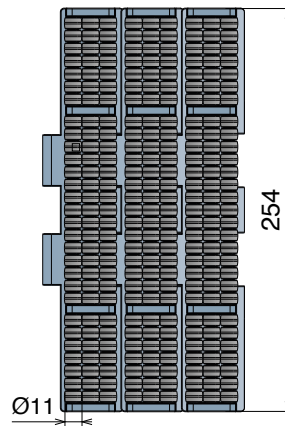
Pins: Stainless Steel | Backflex radius min.: 150 mm



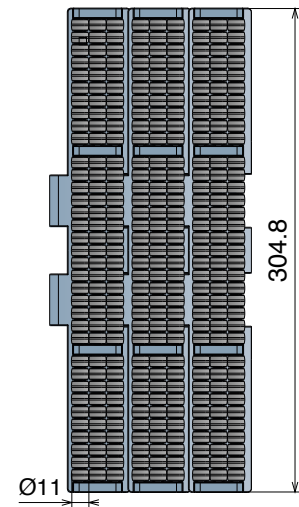
K750



K1000



K1200



5 feet
1.524 m
40 links

pg. 84/111

pg. 771>781

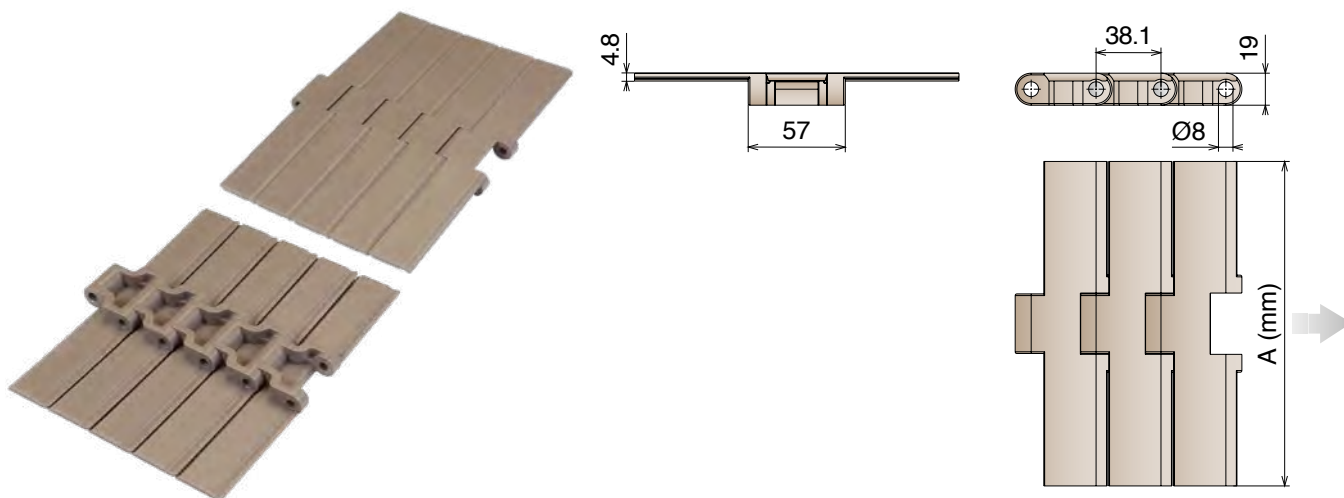
Article-Nr.	Ref.	Plate Width mm	Weight kg/m	Max working load N	Material
11060107	LFA 821 LBP K750	190,5	5,70	2770	LFA
11060108	LFA 821 LBP K1000	254,0	7,05		
11060109	LFA 821 LBP K1200	304,8	8,21		

8257

Catena rettilinea
Straight running chain / Geradegängige Scharnierbandkette

Delivery: **Easy** Standard

Pins: Stainless Steel | Backflex radius min.: 50 mm

10 feet
3.048 m

pg. 92-93/113



pg. 771>781

80 links

Article-Nr.	Ref.	A (Plate Width) mm	Weight kg/m	Max working load N	Material
11070107	LF 8257 K750	190,5	2,55	3830	LF
11070108	LF 8257 K1000	254,0	3,05		
11070109	LF 8257 K1200	304,8	3,35		
11070307	MX 8257 K750	190,5	2,55	3050	MX
11070308	MX 8257 K1000	254,0	3,05		
11070309	MX 8257 K1200	304,8	3,35		

8257 GT

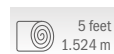
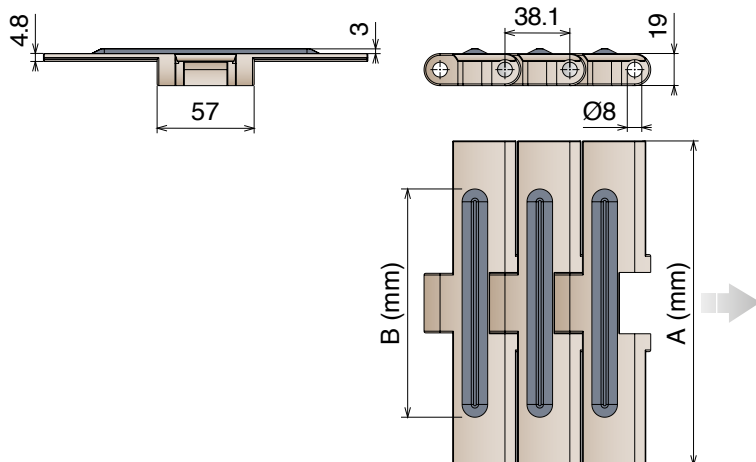
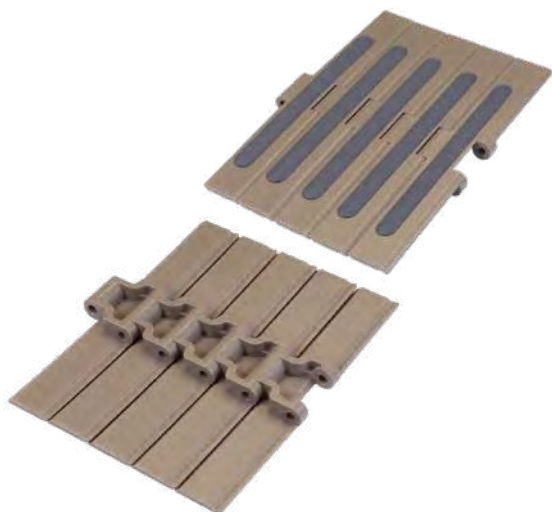
Catene in plastica / Plastic chains / Kunststoffkette

8257 GT

Catena rettilinea
Straight running chain / Geradegängige Scharnierbandkette

Delivery: **Easy** **Standard**

Pins: Stainless Steel | Backflex radius min.: 50 mm | TPE Rubber: 50 ShA



40 links



pg. 92-93/113



pg. 771>781

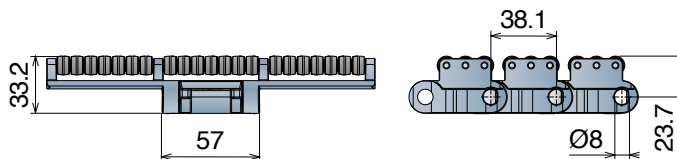
Article-Nr.	Ref.	A (Plate Width) mm	B (Rubber Width) mm	Weight kg/m	Max working load N	Material
11080107	LF 8257 GT K750	190,5	134,0	2,55	3830	LF
11080108	LF 8257 GT K1000	254,0	192,0	2,60		
11080109	LF 8257 GT K1200	304,8	252,0	2,95		

8257 LBP

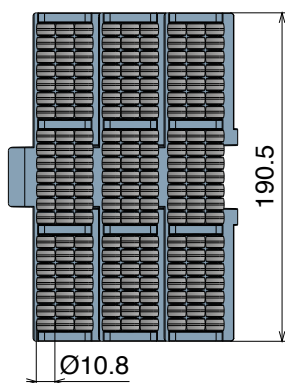
Catena rettilinea
Straight running chain / Geradegängige Scharnierbandkette

Delivery: **Easy** Standard

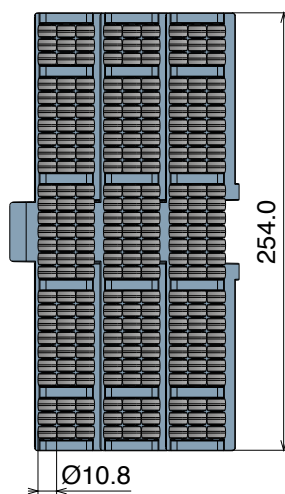
Pins: Stainless Steel | Backflex radius min.: 200 mm



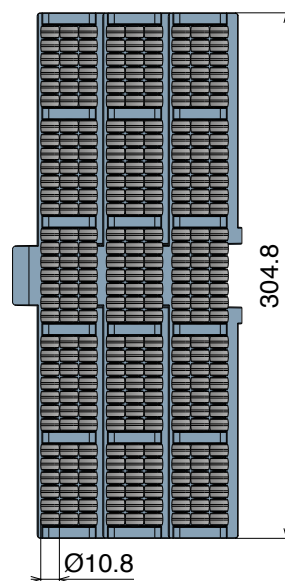
K750



K1000



K1200



Article-Nr.	Ref.	A (Plate Width) mm	Weight kg/m	Max working load N	Material
11090107	LFA 8257 LBP K750	190,5	5,65	3830	LFA
11090108	LFA 8257 LBP K1000	254,0	7,16		
11090109	LFA 8257 LBP K1200	304,8	8,05		

878 TAB

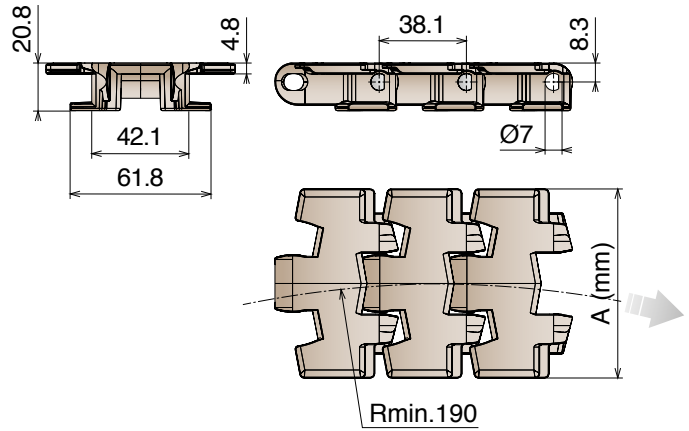
Catene in plastica / Plastic chains / Kunststoffkette

878 TAB

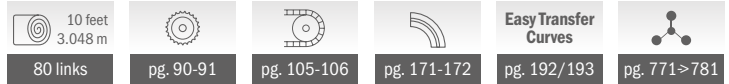
Catena curvilinea
Sideflexing chain / Kurvengängige Scharnierbandkette

Delivery: **Easy** **Standard**

Pins: Stainless Steel | Backflex radius min.: 50 mm



TAB SYSTEM

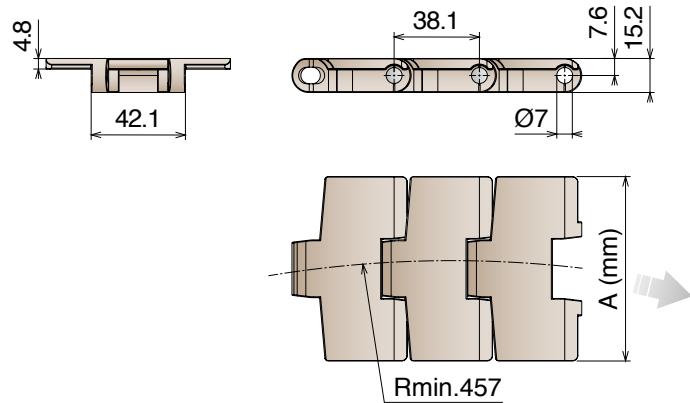


Article-Nr.	Ref.	A (Plate Width) mm	Weight kg/m	Max working load N	Material
11190102	LF 878 TAB K325	82,5	1,06	2200	LF
11190105	LF 878 TAB K450	114,3	1,18		
11190302	MX 878 TAB K325	82,5	1,06	1750	MX
11190305	MX 878 TAB K450	114,3	1,18		
11191602	DKM 878 TAB K325	82,5	1,06	2200	DKM
11191605	DKM 878 TAB K450	114,3	1,18		

879 M Catena curvilinea Sideflexing chain / Kurvengängige Scharnierbandkette

Delivery: **Easy** **Standard**

Pins: Ferritic Stainless Steel | Backflex radius min.: 50 mm



MAGNETIC SYSTEM

10 feet
3.048 m
80 links

pg. 90-91/110

pg. 123->136

Easy Transfer
Curves
pg. 186/187

pg. 771>781

Article-Nr.	Ref.	A (Plate Width) mm	R mm	Weight kg/m	Max working load N	Material
11240102	LF 879 M K325	82,5	457	1,05	2200	LF
11240105	LF 879 M K450	114,3	457	1,15		
11240302	MX 879 M K325	82,5	457	1,05	1750	MX
11240305	MX 879 M K450	114,3	457	1,15		

879 TAB

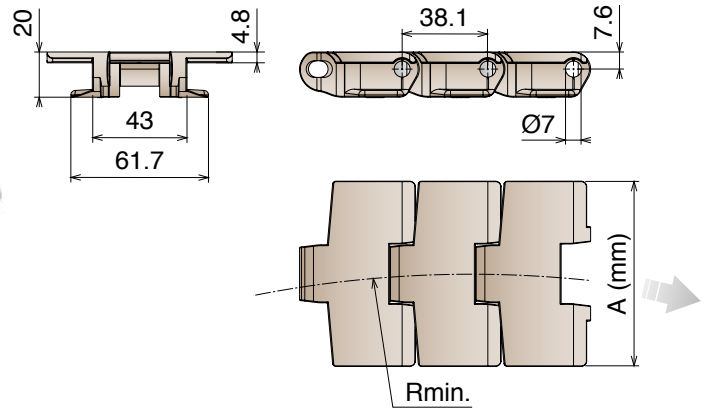
Catene in plastica / Plastic chains / Kunststoffkette

879 TAB

Catena curvilinea
Sideflexing chain / Kurvengängige Scharnierbandkette

Delivery: **Easy** Standard

Pins: Stainless Steel | Backflex radius min.: 50 mm



TAB SYSTEM

10 feet
3.048 m
80 links

pg. 90-91/110

pg. 171-183

Easy Transfer
Curves
pg. 192/193

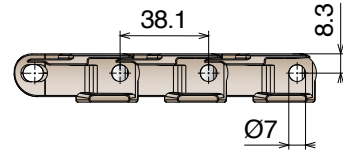
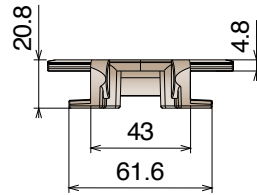
pg. 771>781

Article-Nr.	Ref.	A (Plate Width) mm	R mm	Weight kg/m	Max working load N	Material
11250102	LF 879 TAB K325	82,5	457	1,01	2200	LF
11250105	LF 879 TAB K450	114,3	457	1,13		
11250302	MX 879 TAB K325	82,5	457	1,01	1750	MX
11250305	MX 879 TAB K450	114,3	457	1,13		
11252502	MPX 879 TAB K325	82,5	457	1,01	2200	MPX
11252505	MPX 879 TAB K450	114,3	457	1,13		
11251702	MWX 879 TAB K325	82,5	457	1,01	2200	MWX
11251705	MWX 879 TAB K450	114,3	457	1,13		

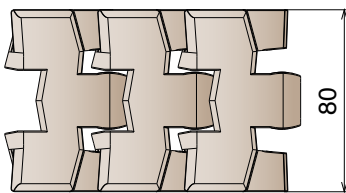
888 TAB

Catena curvilinea
Sideflexing chain / Kurvengängige Scharnierbandkette

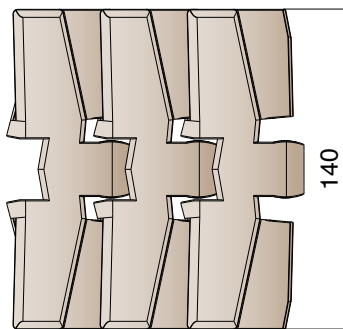
Pins: Stainless Steel | Backflex radius min.: 150 mm



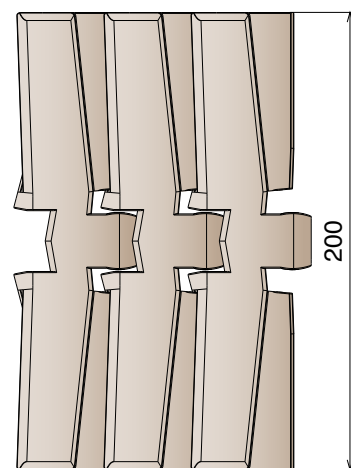
W80



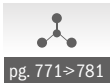
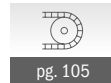
W140



W200



TAB SYSTEM



Article-Nr.	Ref.	Plate Width mm	R mm	Weight kg/m	Max working load N	Material
11700119	LF 888 TAB W80	80,0	200	1,05	2200	LF
11700120	LF 888 TAB W140	140,0	500	1,32		
11700121	LF 888 TAB W200	200,0	500	1,62		

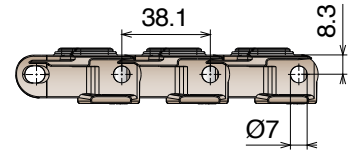
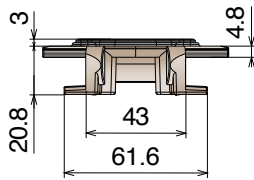
888 TAB GT

Catene in plastica / Plastic chains / Kunststoffkette

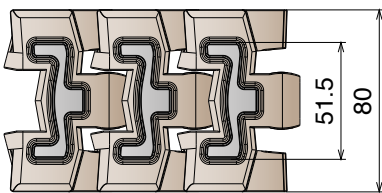
888 TAB GT

Catena curvilinea
Sideflexing chain / Kurvengängige Scharnierbandkette

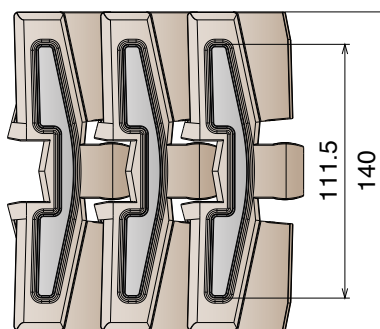
Pins: Stainless Steel | Backflex radius min.: 150 mm | TPE Rubber: 75 ShA



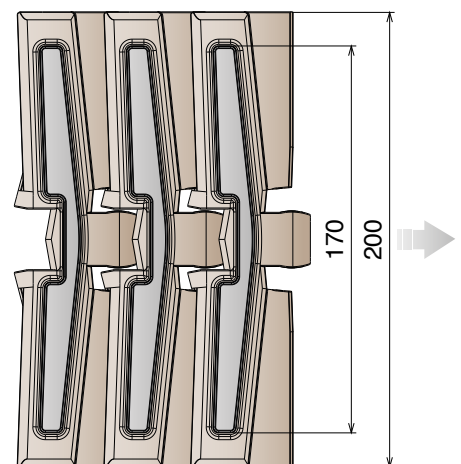
W80



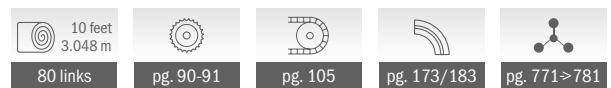
W140



W200



TAB SYSTEM

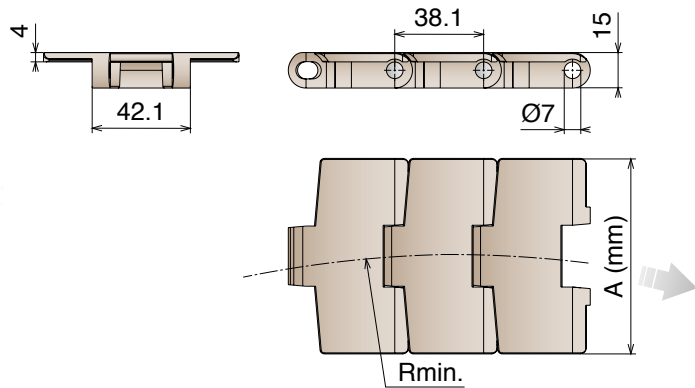


Article-Nr.	Ref.	Plate Width mm	R mm	Weight kg/m	Max working load N	Material
11710119	LF 888 TAB GT W80	80,0	200	1,15	2200	LF
11710120	LF 888 TAB GT W140	140,0	500	1,43		
11710121	LF 888 TAB GT W200	200,0	500	1,75		

880 M Catena curvilinea Sideflexing chain / Kurvengängige Scharnierbandkette

Delivery: **Easy** **Standard**

Pins: Ferritic Stainless Steel | Backflex radius min.: 50 mm



MAGNETIC SYSTEM

- 
 10 feet
3.048 m
80 links
- 
 pg. 90-91/110
- 
 pg. 123>136
- Easy Transfer
Curves
pg. 186/187
- 
 pg. 771>781

Article-Nr.	Ref.	A (Plate Width) mm	R mm	Weight kg/m	Max working load N	Material
11100102	LF 880 M K325	82,5	457	1,05	2200	LF
11100103	LF 880 M K330	83,8	457	1,09		
11100105	LF 880 M K450	114,3	457	1,15		
11100302	MX 880 M K325	82,5	457	1,05	1750	MX
11100303	MX 880 M K330	83,8	457	1,09		
11100305	MX 880 M K450	114,3	457	1,15		
11103002	PFX 880 M K325	82,5	457	1,05	1750	PFX
11103003	PFX 880 M K330	83,8	457	1,09		
11103005	PFX 880 M K450	114,3	457	1,15		
11102502	MPX 880 M K325	82,5	457	1,05	2200	MPX
11102503	MPX 880 M K330	83,8	457	1,09		
11102505	MPX 880 M K450	114,3	457	1,15		
11101702	MWX 880 M K325	82,5	457	1,05	2200	MWX
11101703	MWX 880 M K330	83,8	457	1,09		
11101705	MWX 880 M K450	114,3	457	1,15		

880 TAB

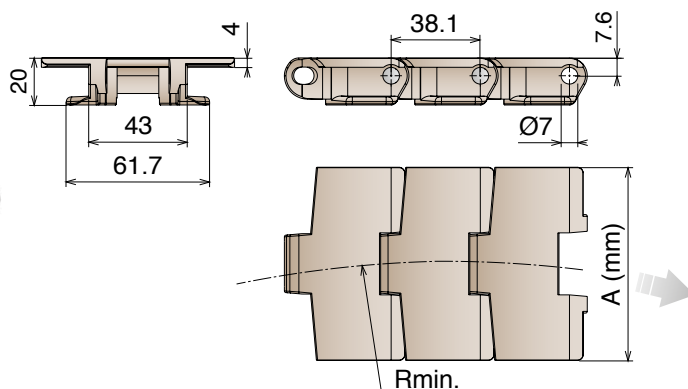
Catene in plastica / Plastic chains / Kunststoffkette

880 TAB

Catena curvilinea
Sideflexing chain / Kurvengängige Scharnierbandkette

Delivery: **Easy** **Standard**

Pins: Stainless Steel | Backflex radius min.: 40 mm



TAB SYSTEM



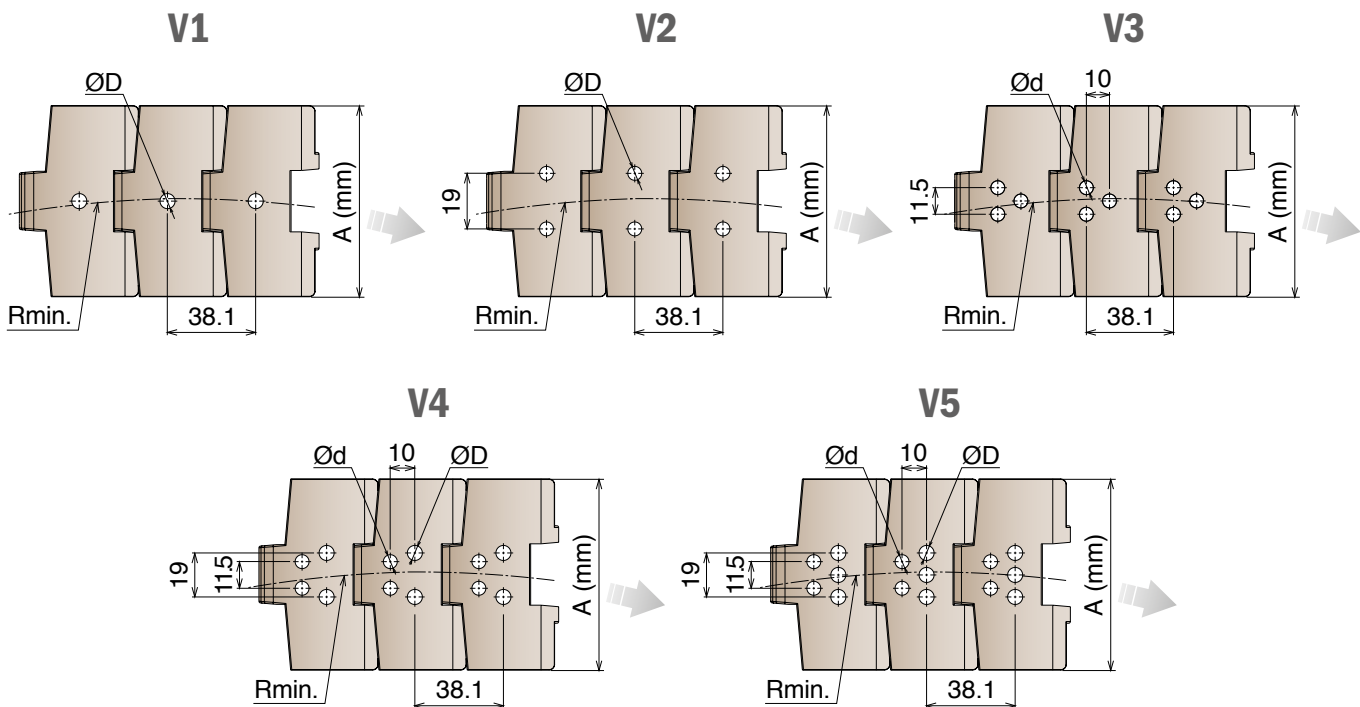
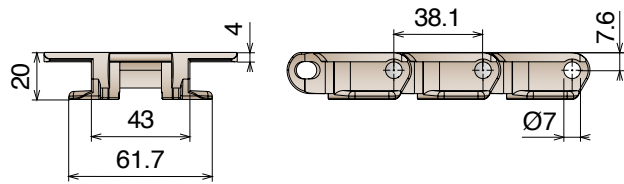
Article-Nr.	Ref.	A (Plate Width) mm	R mm	Weight kg/m	Max working load N	Material
11110102	LF 880 TAB K325	82,5	457	1,015	2200	LF
11110103	LF 880 TAB K330	83,8	457	1,018		
11110105	LF 880 TAB K450	114,3	457	1,09		
11110302	MX 880 TAB K325	82,5	457	1,015	1750	MX
11110303	MX 880 TAB K330	83,8	457	1,018		
11110305	MX 880 TAB K450	114,3	457	1,09		
11113002	PFX 880 TAB K325	82,5	457	1,015	1750	PFX
11113003	PFX 880 TAB K330	83,8	457	1,018		
11113005	PFX 880 TAB K450	114,3	457	1,09		
11112502	MPX 880 TAB K325	82,5	457	1,015	2200	MPX
11112503	MPX 880 TAB K330	83,8	457	1,018		
11112505	MPX 880 TAB K450	114,3	457	1,09		
11111602	DKM 880 TAB K325	82,5	457	1,015	2200	DKM
11111603	DKM 880 TAB K330	83,8	457	1,018		
11111605	DKM 880 TAB K450	114,3	457	1,09		
11111702	MWX 880 TAB K325	82,5	457	1,015	2200	MWX
11111703	MWX 880 TAB K330	83,8	457	1,018		
11111705	MWX 880 TAB K450	114,3	457	1,09		

880 V TAB

Catena curvilinea
Sideflexing chain / Kurvengängige Scharnierbandkette

Delivery: **Easy** Standard

Pins: Stainless Steel | Backflex radius min.: 40 mm



TAB SYSTEM



10 feet
3.048 m



80 links



pg. 171/183



Easy Transfer
Curves
pg. 192/193



pg. 771>781

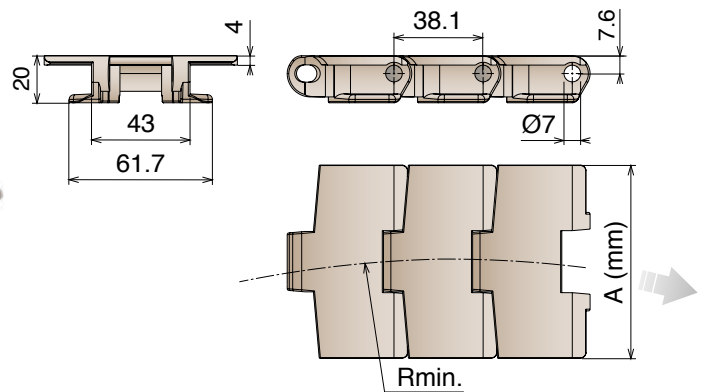
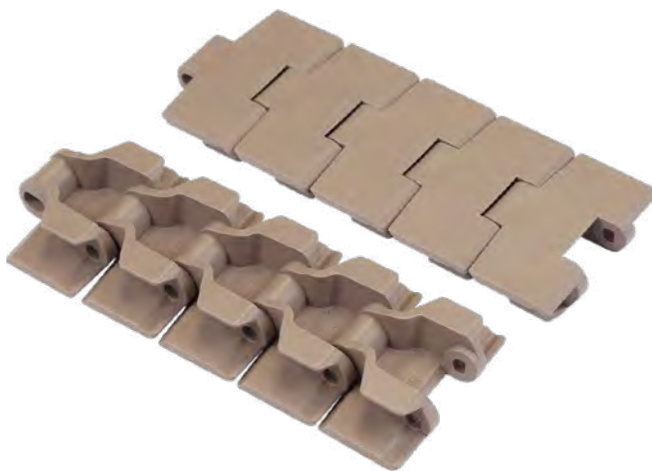
Article-Nr.	Ref.	A (Plate Width) mm	R mm	Weight kg/m	ØD mm	Ød mm	Max working load N	Material
11560102	LF 880 V1 K325	82,5	457	1,015	6,5	6	2200	LF
11570102	LF 880 V2 K325	82,5	457	1,015				
11580102	LF 880 V3 K325	82,5	457	1,015				
11560102-V4	LF 880 V4 K325	82,5	457	1,015				
11560102-V5	LF 880 V5 K325	82,5	457	1,015				
11570105	LF 880 V2 K450	114,3	457	1,09				

880 TAB Plastic pin-880 TAB BO

Catene in plastica / Plastic chains / Kunststoffkette

880 TAB Plastic pin *Catena curvilinea con perno in plastica* Sideflexing chain with plastic pin / Kurvengängige Schmierbandkette mit plastic bolzen

Pins: Reinforced acetal resin | Backflex radius min.: 40 mm



TAB SYSTEM

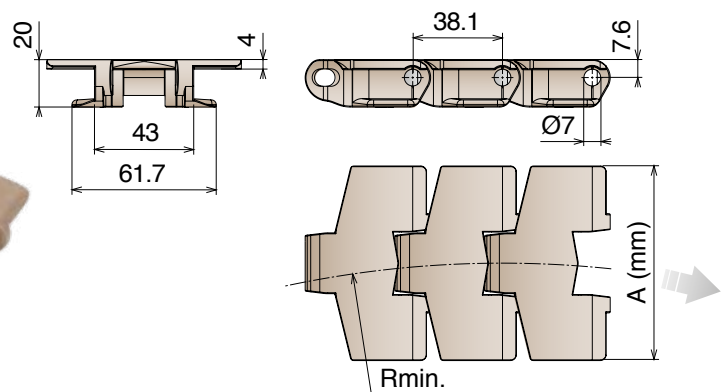
- 10 feet
3.048 m
80 links
- pg. 90-91
- pg. 171/183
- Easy Transfer
Curves
pg. 192/193
- pg. 771>781

Article-Nr.	Ref.	A (Plate Width) mm	R mm	Weight kg/m	Max working load N	Material
11660102	LF 880 TAB K325	82,5	457	0,815	550	LF
11660105	LF 880 TAB K450	114,3	457	0,89		

880 TAB BO *Catena curvilinea* Sideflexing chain / Kurvengängige Schmierbandkette

Delivery: **Easy** Standard

Pins: Stainless Steel | Backflex radius min.: 40 mm



TAB SYSTEM

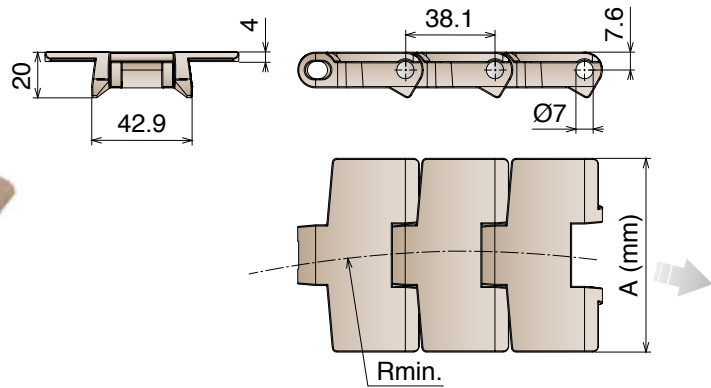
- 10 feet
3.048 m
80 links
- pg. 90-91
- pg. 172/183
- pg. 771>781

Article-Nr.	Ref.	A (Plate Width) mm	R mm	Weight kg/m	Max working load N	Material
11260102	LF 880 TAB BO K325	82,5	190	0,96	1680	LF
11260105	LF 880 TAB BO K450	114,3	190	1,10		
11260302	MX 880 TAB BO K325	82,5	190	0,96	1350	MX
11260305	MX 880 TAB BO K450	114,3	190	1,10		

880 B Catena curvilinea Sideflexing chain / Kurvengängige Scharnierbandkette

Delivery: **Easy** **Standard**

Pins: Stainless Steel | Backflex radius min.: 40 mm



BEVEL SYSTEM

10 feet
3.048 m
80 links

pg. 90-91

pg. 182

pg. 771>781

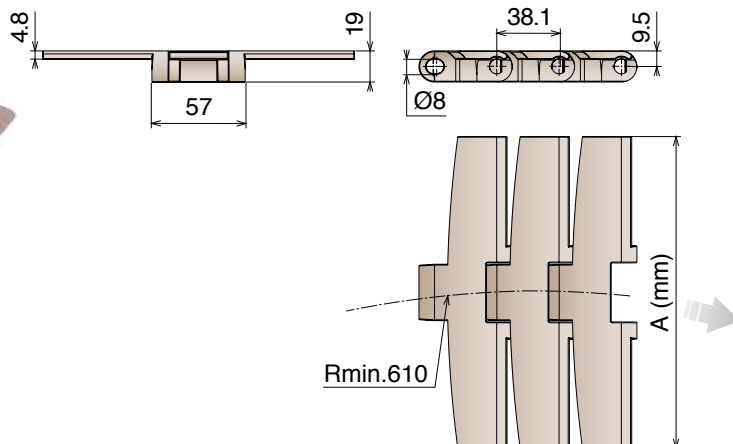
Article-Nr.	Ref.	A (Plate Width) mm	R mm	Weight kg/m	Max working load N	Material
11120102	LF 880 B K325	82,5	457	0,89	2200	LF
11120104	LF 880 B K350	88,9	457	0,93		
11120105	LF 880 B K450	114,3	457	1,05		
11120302	MX 880 B K325	82,5	457	0,89	1750	MX
11120304	MX 880 B K350	88,9	457	0,93		
11120305	MX 880 B K450	114,3	457	1,05		

882 M

Catena curvilinea
Sideflexing chain / Kurvengängige Scharnierbandkette

Delivery: **Easy** **Standard**

Pins: Ferritic Stainless Steel | Backflex radius min.: 50 mm



MAGNETIC SYSTEM



80 links



pg. 92-93/113



pg. 139->136



pg. 771>781

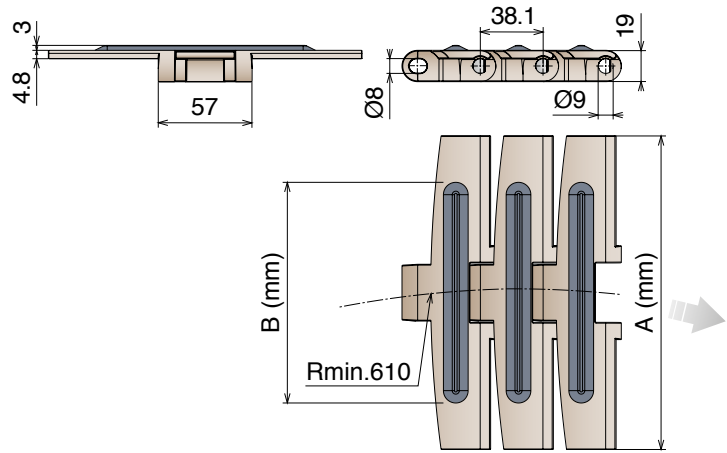
Article-Nr.	Ref.	A (Plate Width) mm	Weight kg/m	Max working load N	Material
11130107	LF 882 M K750	190,5	2,14	3830	LF
11130108	LF 882 M K1000	254,0	2,45		
11130109	LF 882 M K1200	304,8	2,68		
11130307	MX 882 M K750	190,5	2,14	3050	MX
11130308	MX 882 M K1000	254,0	2,45		
11130309	MX 882 M K1200	304,8	2,68		

882 M GT

Catena curvilinea
Sideflexing chain / Kurvengängige Scharnierbandkette

Delivery: **Easy** **Standard**

Pins: Ferritic Stainless Steel | Backflex radius min.: 50 mm | TPE Rubber: 50 ShA



MAGNETIC SYSTEM

5 feet
1.524 m

40 links

pg. 92-93/113

pg. 139->144

pg. 771->781

Article-Nr.	Ref.	A (Plate Width) mm	B (Rubber Width) mm	Weight kg/ m	Max working load N	Material
11150107	LF 882 M GT K750	190,5	134,0	2,10	3830	LF
11150108	LF 882 M GT K1000	254,0	197,0	2,45		
11150109	LF 882 M GT K1200	304,8	249,0	2,74		

882 M LBP

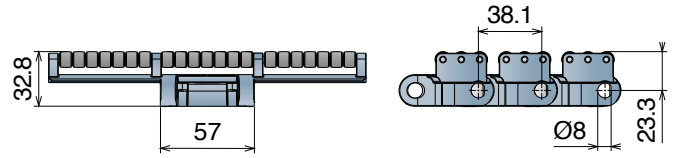
Catene in plastica / Plastic chains / Kunststoffkette

882 M LBP

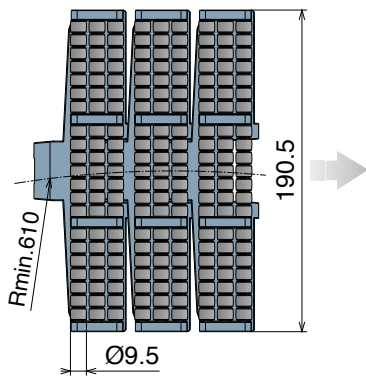
Catena curvilinea
Sideflexing chain / Kurvengängige Scharnierbandkette

Delivery: **Easy** Standard

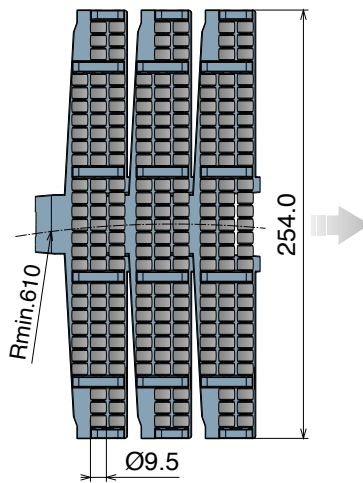
Pins: Ferritic Stainless Steel | Backflex radius min.: 150 mm



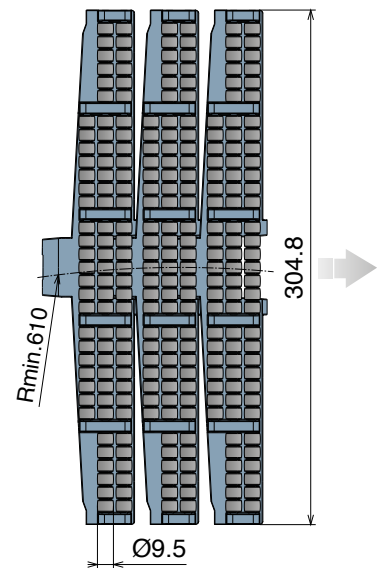
K750



K1000



K1200



MAGNETIC SYSTEM



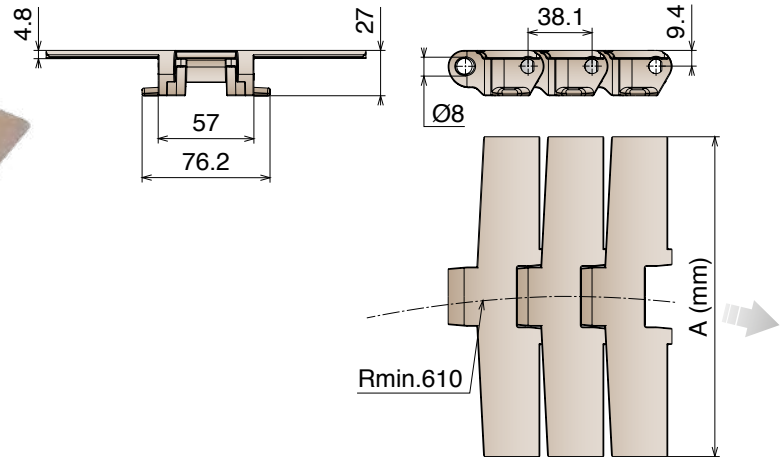
Article-Nr.	Ref.	A (Plate Width) mm	Weight kg/m	Max working load N	Material
11170107	LFA 882 M LBP K750	190,5	3,92	3830	LFA
11170108	LFA 882 M LBP K1000	254,0	4,94		
11170109	LFA 882 M LBP K1200	304,8	5,82		

882 TAB

Catena curvilinea
Sideflexing chain / Kurvengängige Scharnierbandkette

Delivery: **Easy** **Standard**

Pins: Stainless Steel | Backflex radius min.: 40 mm



TAB SYSTEM

10 feet
3.048 m
80 links

pg. 92-93

pg. 174/183

pg. 771>781

Article-Nr.	Ref.	A (Plate Width) mm	Weight kg/ m	Max working load N	Material
11140105	LF 882 TAB K450	114,3	2,05	3830	LF
11140106	LF 882 TAB K600	152,4	2,20		
11140107	LF 882 TAB K750	190,5	2,45		
11140108	LF 882 TAB K1000	254,0	2,85		
11140109	LF 882 TAB K1200	304,8	3,40		
11140305	MX 882 TAB K450	114,3	2,05	3050	MX
11140306	MX 882 TAB K600	152,4	2,20		
11140307	MX 882 TAB K750	190,5	2,45		
11140308	MX 882 TAB K1000	254,0	2,85		
11140309	MX 882 TAB K1200	304,8	3,40		
11142505	MPX 882 TAB K450	114,3	2,05	3830	MPX
11142506	MPX 882 TAB K600	152,4	2,20		
11142507	MPX 882 TAB K750	190,5	2,45		
11142508	MPX 882 TAB K1000	254,0	2,85		
11142509	MPX 882 TAB K1200	304,8	3,40		
11141705	MWX 882 TAB K450	114,3	2,05	3830	MWX
11141706	MWX 882 TAB K600	152,4	2,20		
11141707	MWX 882 TAB K750	190,5	2,45		
11141708	MWX 882 TAB K1000	254,0	2,85		
11141709	MWX 882 TAB K1200	304,8	3,40		

882 TAB GT

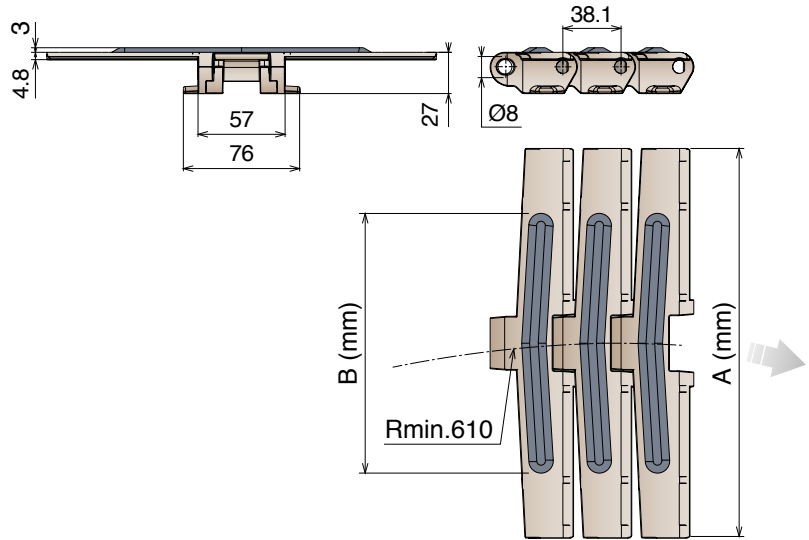
Catene in plastica / Plastic chains / Kunststoffkette

882 TAB GT

Catena curvilinea
Sideflexing chain / Kurvengängige Scharnierbandkette

Delivery: **Easy** Standard

Pins: Stainless Steel | Backflex radius min.: 40 mm | TPE Rubber: 50 ShA



TAB SYSTEM

5 feet
1.524 m
40 links

pg. 92-93

pg. 174/183

pg. 771>781

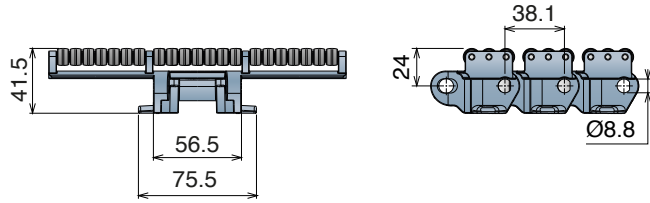
Article-Nr.	Ref.	A (Plate Width) mm	B (Rubber Width) mm	Weight kg/m	Max working load N	Material
11160107	LF 882 TAB GT K750	190,5	134,0	2,37	3830	LF
11160108	LF 882 TAB GT K1000	254,0	197,0	2,67		
11160109	LF 882 TAB GT K1200	304,8	249,0	2,92		
11160307	MX 882 TAB GT K750	190,5	134,0	2,37	3050	MX
11160308	MX 882 TAB GT K1000	254,0	197,0	2,67		
11160309	MX 882 TAB GT K1200	304,8	249,0	2,92		

882 TAB LBP

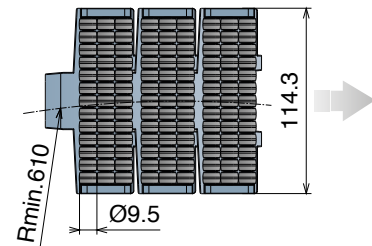
Catena curvilinea
Sideflexing chain / Kurvengängige Scharnierbandkette

Delivery: **Easy** **Standard**

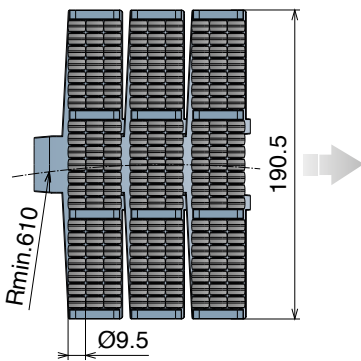
Pins: Stainless Steel | Backflex radius min.: 150 mm



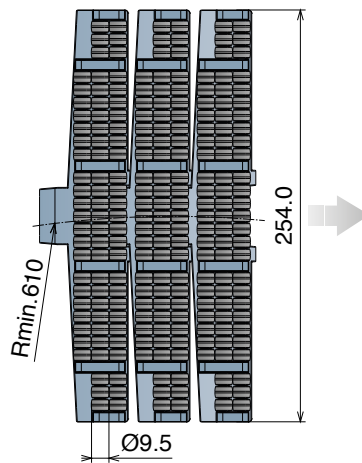
K450



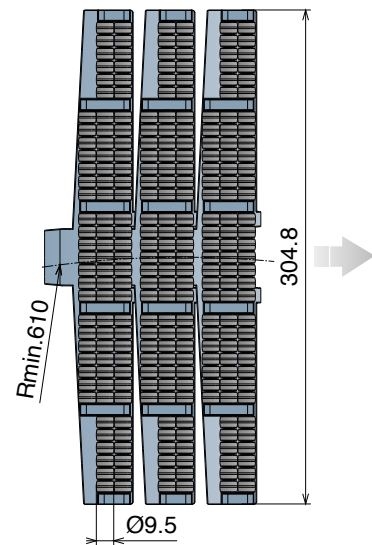
K750



K1000



K1200



TAB SYSTEM

5 feet
1.524 m
40 links

pg. 92-93

pg. 174/183

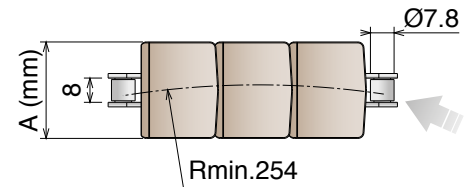
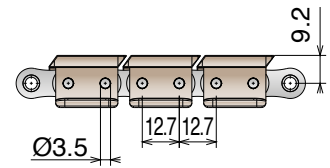
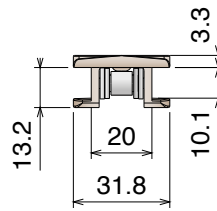
pg. 771>781

Article-Nr.	Ref.	Plate Width mm	Weight kg/m	Max working load N	Material
11180105	LFA 882 TAB LBP K450	114,3	4,00	3830	LFA
11180107	LFA 882 TAB LBP K750	190,5	4,70		
11180108	LFA 882 TAB LBP K1000	254,0	5,95		
11180109	LFA 882 TAB LBP K1200	304,8	6,55		

1843 Catena curvilinea Sideflexing chain / Kurvengängige Plattenbandkette

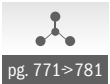
Delivery: **Easy** **Standard**

Backflex radius min.: 80 mm



Standard length roller chain: 240 Pitches

TAB SYSTEM

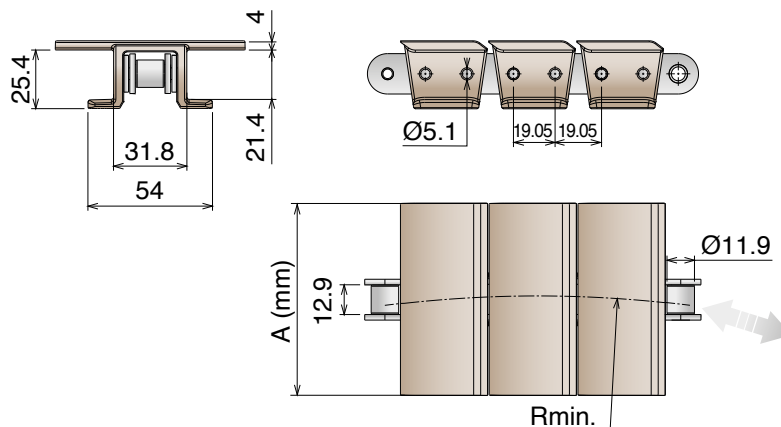


Article-Nr.	Chain	Ref.	A (Plate Width) mm	R mm	Weight kg/m	Max working load N	Material
11400117	C45	LF 1843 TAB K125	31,8	254	0,74	2700	LF
11410117	Stainless Steel		31,8	254	0,74	1900	
11400119	C45	LF 1843 TAB K200	50,8	254	0,89	2700	
11410119	Stainless Steel		50,8	254	0,89	1900	
11400317	C45	MX 1843 TAB K125	31,8	254	0,74	2700	MX
11410317	Stainless Steel		31,8	254	0,74	1900	
11400319	C45	MX 1843 TAB K200	50,8	254	0,89	2700	
11410319	Stainless Steel		50,8	254	0,89	1900	

NEW 1863 Catena curvilinea
Sideflexing chain / Kurvengängige Plattenbandkette

Delivery: **Easy** **Standard**

The stainless steel version is supplied with LONG-LIFE SS roller chain. | Backflex radius min.: 150 mm



Standard length roller chain: 160 Pitches

TAB SYSTEM

10 feet
3.048 m
80 flights

SPROCKET
ASA 60
Standard on market

pg. 771>781

Article-Nr.	Chain	Ref.	A (Plate Width) mm	Weight kg/m	Max working load N	Sideflex radius min. mm	Material
11420122	C45	LF 1863 TAB K225	57,2	1,9	4500	355	LF
11430122	Stainless Steel		57,2	1,9	3500		
11420102	C45	LF 1863 TAB K325	57,2	1,9	4500		
11430102	Stainless Steel		57,2	1,9	3500		
11420322	C45	MX 1863 TAB K225	82,5	2,0	4500	355	MX
11430322	Stainless Steel		82,5	2,0	3500		
11420302	C45	MX 1863 TAB K325	82,5	2,0	4500		
11430302	Stainless Steel		82,5	2,0	3500		

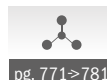
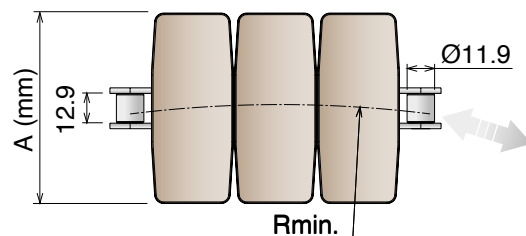
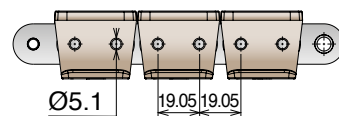
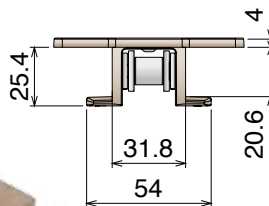
Advantages

- Over-lapping flights • Better product support • Safer design
- Finger protection • Interchangeable with 1873 series

1873 Catena curvilinea Sideflexing chain / Kurvengängige Plattenbandkette

Delivery: **Easy** **Standard**

The stainless steel version is supplied with LONG-LIFE SS roller chain. | Backflex radius min.: 210 mm



Standard length roller chain: 160 Pitches

TAB SYSTEM

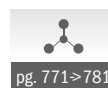
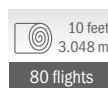
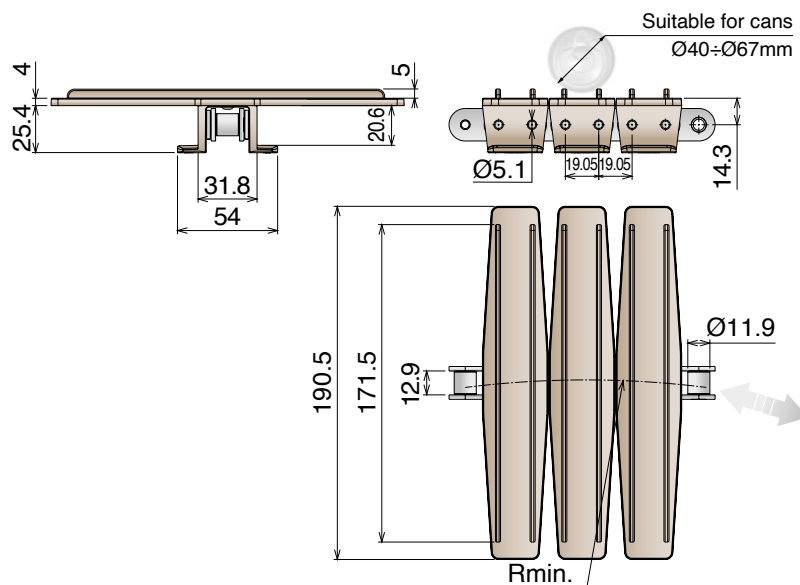
Article-Nr.	Chain	Ref.	A (Plate Width) mm	Weight kg/m	Max working load N	Sideflex radius min. mm	Material
11590102	C45	LF 1873 TAB K325	82,5	2,10	4500	355	LF
11600102	Stainless Steel		82,5	2,10	3500		
11590105	C45	LF 1873 TAB K450	114,3	2,30	4500	457	
11600105	Stainless Steel		114,3	2,30	3500		
11590106	C45	LF 1873 TAB K600	152,4	2,40	4500	457	
11600106	Stainless Steel		152,4	2,40	3500		
11590107	C45	LF 1873 TAB K750	190,5	2,60	4500	457	
11600107	Stainless Steel		190,5	2,60	3500		
11590108	C45	LF 1873 TAB K1000	254,0	2,80	4500	457	
11600108	Stainless Steel		254,0	2,80	3500		
11590109	C45	LF 1873 TAB K1200	304,8	3,00	4500	457	
11600109	Stainless Steel		304,8	3,00	3500		
11590302	C45	MX 1873 TAB K325	82,5	2,10	4500	355	MX
11600302	Stainless Steel		82,5	2,10	3500		
11590305	C45	MX 1873 TAB K450	114,3	2,30	4500	457	
11600305	Stainless Steel		114,3	2,30	3500		
11590306	C45	MX 1873 TAB K600	152,4	2,40	4500	457	
11600306	Stainless Steel		152,4	2,40	3500		
11590307	C45	MX 1873 TAB K750	190,5	2,60	4500	457	
11600307	Stainless Steel		190,5	2,60	3500		
11590308	C45	MX 1873 TAB K1000	254,0	2,80	4500	457	
11600308	Stainless Steel		254,0	2,80	3500		
11590309	C45	MX 1873 TAB K1200	304,8	3,00	4500	457	
11600309	Stainless Steel		304,8	3,00	3500		

NEW 1873 GB2 TWISTER

Catena curvilinea
Sideflexing chain / Kurvengängige Plattenbandkette

Delivery: **Easy** Standard

Pins: Stainless Steel | Backflex radius min.: 210 mm | The chain can twist 90° in 1500 mm



Article-Nr.	Chain	Ref.	Plate Width mm	R mm	Weight kg/m	Max working load N	Material
11370107	C45	LF 1873 TAB	190,5	457	2,60	4500	LF
11380107	Stainless Steel	K750 GB2	190,5	457	2,60	3500	
11370307	C45	MX 1873 TAB	190,5	457	2,60	4500	MX
11380307	Stainless Steel	K750 GB2	190,5	457	2,60	3500	

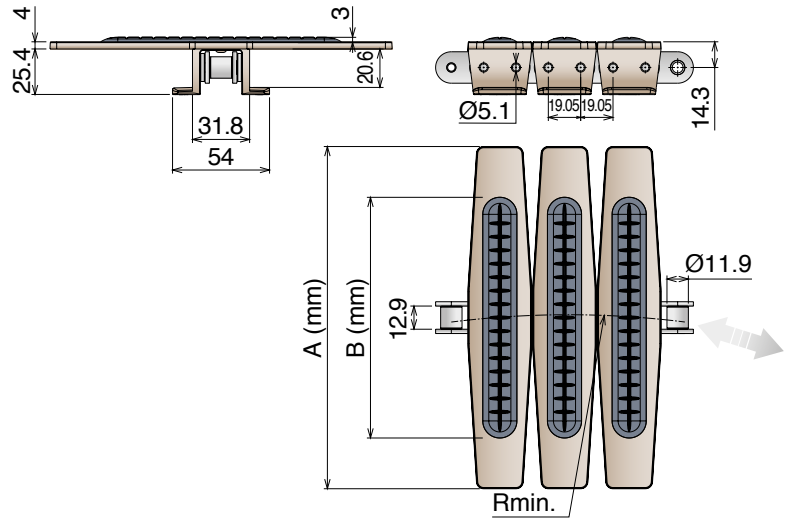


1873 GT

Catene in plastica / Plastic chains / Kunststoffkette

1873 GT Catena curvilinea Sideflexing chain / Kurvengängige Plattenbandkette

Delivery: **Easy** **Standard** *The stainless steel version is supplied with LONG-LIFE SS roller chain.* | TPE Rubber: 75 ShA | Backflex radius min.: 210 mm



Standard length roller chain: 160 Pitches

TAB SYSTEM

10 feet
3,048 m
80 flights

SPROCKET
ASA 60
Standard on market

pg. 175/184

pg. 771>781

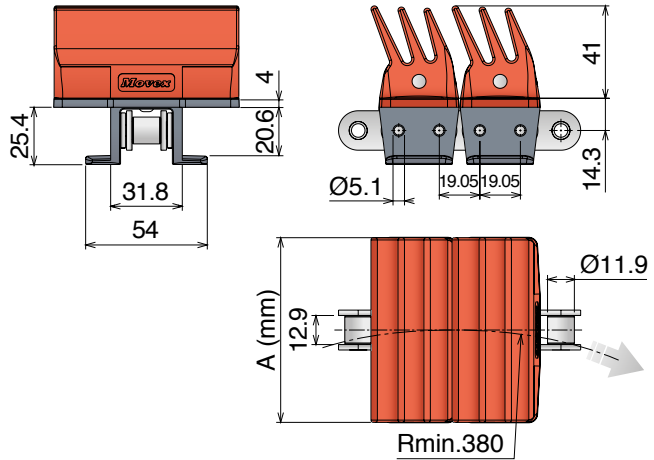
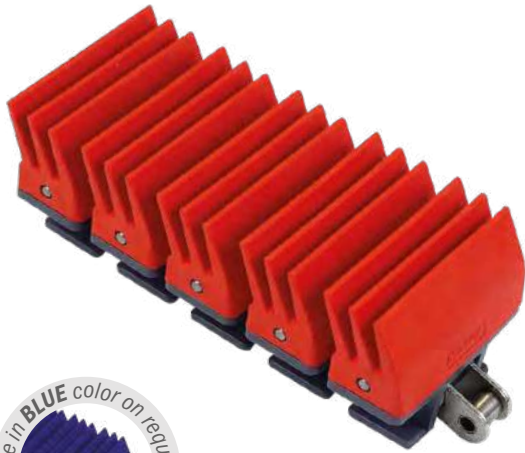
Article-Nr.	Chain	Ref.	A (Plate Width) mm	B (Rubber Width) mm	Weight kg/m	Max working load N	Sideflex radius min. mm	Material
11610107	C45	LF 1873 GT TAB K750	190,5	134,0	2,60	4500	457	LF
11620107	Stainless Steel		190,5	134,0	2,60	3500		
11610108	C45	LF 1873 GT TAB K1000	254,0	192,0	2,80	4500		
11620108	Stainless Steel		254,0	192,0	2,80	3500		
11610109	C45	LF 1873 GT TAB K1200	304,8	252,0	3,00	4500		
11620109	Stainless Steel		304,8	252,0	3,00	3500		

1873 GRIPPER GS1

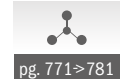
Catena curvilinea
Sideflexing chain / Kurvengängige Plattenbandkette

Delivery: **Easy** **Standard**

The stainless steel version is supplied with LONG-LIFE SS roller chain. | Backflex radius min.: 150 mm



TAB SYSTEM



Standard length roller chain: 160 Pitches

Article-Nr.	Chain	Ref.	A (Width) mm	Max working load N	Weight kg/m	Rubber	Material
11200102	C45	1873 TAB K325 GR	82,5	4500	4,354		LFD
11200105		1873 TAB K450 GR	114,3				
11200202	Nickel Plated Steel	1873 NP TAB K325 GR	82,5	4500	4,354	Material: TPR	
11200205		1873 NP TAB K450 GR	114,3				
11200302	Stainless Steel	1873 SS TAB K325 GR	82,5	3500	4,354	MX	
11200305		1873 SS TAB K450 GR	114,3				
11320102	C45	1873 TAB K325 GR	82,5	4500	4,354		
11320105		1873 TAB K450 GR	114,3				
11320202	Nickel Plated Steel	1873 NP TAB K325 GR	82,5	4500	4,354		Material: TPR
11320205		1873 NP TAB K450 GR	114,3				
11320302	Stainless Steel	1873 SS TAB K325 GR	82,5	3500	4,354	PP	
11320305		1873 SS TAB K450 GR	114,3				4,945
11210102	C45	1873 TAB K325 GR	82,5	4500	4,354		
11210105		1873 TAB K450 GR	114,3				4,945
11210202	Nickel Plated Steel	1873 NP TAB K325 GR	82,5	4500	4,354		
11210205		1873 NP TAB K450 GR	114,3				4,945
11210302	Stainless Steel	1873 SS TAB K325 GR	82,5	3500	4,354	MWX	
11210305		1873 SS TAB K450 GR	114,3				4,945
11330102	C45	1873 TAB K325 GR	82,5	4500	4,354		
11330105		1873 TAB K450 GR	114,3				4,945
11330202	Nickel Plated Steel	1873 NP TAB K325 GR	82,5	4500	4,354		
11330205		1873 NP TAB K450 GR	114,3				4,945
11330302	Stainless Steel	1873 SS TAB K325 GR	82,5	3500	4,354		
11330305		1873 SS TAB K450 GR	114,3				4,945

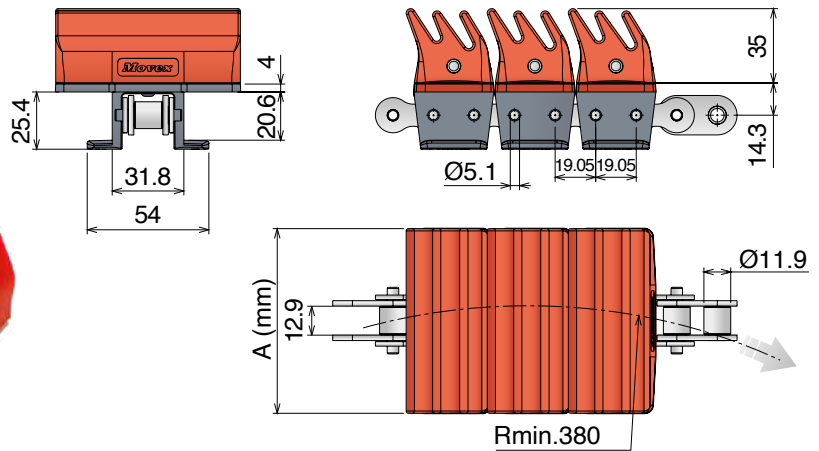
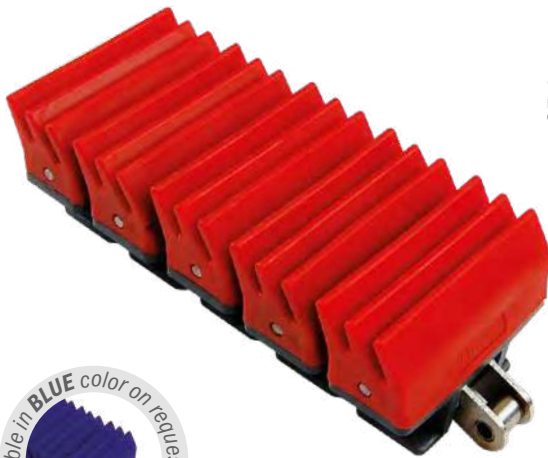
1873 GRIPPER GS2

Catene in plastica / Plastic chains / Kunststoffkette

1873 GRIPPER GS2 Catena curvilinea Sideflexing chain / Kurvengängige Plattenbandkette

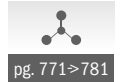
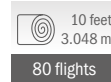
Delivery: **Easy** **Standard**

The stainless steel version is supplied with **LONG-LIFE SS roller chain**. | Backflex radius min.: 150 mm



Standard length roller chain: 160 Pitches

TAB SYSTEM



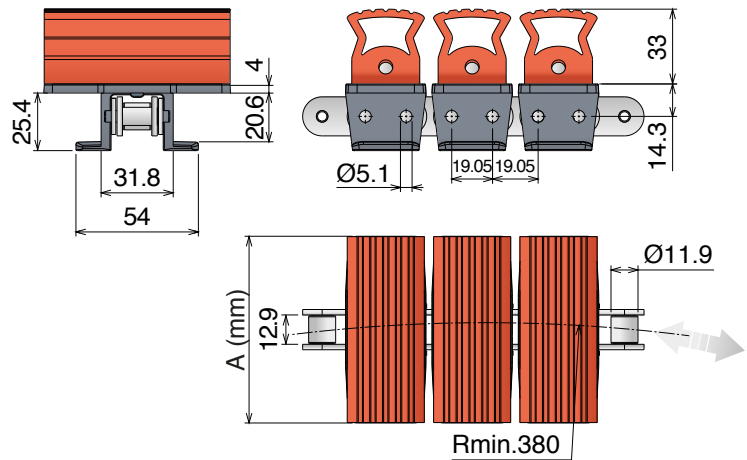
Article-Nr.	Chain	Ref.	A (Width) mm	Max working load N	Weight kg/m	Rubber	Material
11280102	C45	1873 TAB K325 GR	82,5	4500	4,354	Material: TPR Color: Red	LFD
11280105		1873 TAB K450 GR	114,3				
11280202	Nickel Plated Steel	1873 NP TAB K325 GR	82,5	4500	4,354		
11280205		1873 NP TAB K450 GR	114,3				
11280302	Stainless Steel	1873 SS TAB K325 GR	82,5	3500	4,354		
11280305		1873 SS TAB K450 GR	114,3				
11340102	C45	1873 TAB K325 GR	82,5	4500	4,354	Material: TPR Color: Red	MX
11340105		1873 TAB K450 GR	114,3				
11340202	Nickel Plated Steel	1873 NP TAB K325 GR	82,5	4500	4,354		
11340205		1873 NP TAB K450 GR	114,3				
11340302	Stainless Steel	1873 SS TAB K325 GR	82,5	3500	4,354		
11340305		1873 SS TAB K450 GR	114,3				
11290102	C45	1873 TAB K325 GR	82,5	4500	4,354	Material: EPDM-PP Color: Black	PP
11290105		1873 TAB K450 GR	114,3				
11290202	Nickel Plated Steel	1873 NP TAB K325 GR	82,5	4500	4,354		
11290205		1873 NP TAB K450 GR	114,3				
11290302	Stainless Steel	1873 SS TAB K325 GR	82,5	3500	4,354		
11290305		1873 SS TAB K450 GR	114,3				
11350102	C45	1873 TAB K325 GR	82,5	4500	4,354	Material: TPR Color: Red	MWX
11350105		1873 TAB K450 GR	114,3				
11350202	Nickel Plated Steel	1873 NP TAB K325 GR	82,5	4500	4,354		
11350205		1873 NP TAB K450 GR	114,3				
11350302	Stainless Steel	1873 SS TAB K325 GR	82,5	3500	4,354		
11350305		1873 SS TAB K450 GR	114,3				

1873 GRIPPER GS4

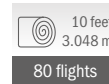
Catena curvilinea
Sideflexing chain / Kurvengängige Plattenbandkette

Delivery: **Easy** **Standard**

The stainless steel version is supplied with LONG-LIFE SS roller chain. | Backflex radius min.: 400 mm



TAB SYSTEM



Standard length roller chain: 160 Pitches

Article-Nr.	Chain	Ref.	A (Width) mm	Max working load N	Weight kg/m	Rubber	Material	
11830102	C45	1873 TAB K325 GR	82,5	4500	4,15	Material: TPR	LFD	
11830105		1873 TAB K450 GR	114,3					
11830202	Nickel Plated Steel	1873 NP TAB K325 GR	82,5	4500	4,15	Color: Red		
11830205		1873 NP TAB K450 GR	114,3					
11830302	Stainless Steel	1873 SS TAB K325 GR	82,5	3500	4,15			
11830305		1873 SS TAB K450 GR	114,3					4,70
11840102	C45	1873 TAB K325 GR	82,5	4500	4,15	Material: TPR		MX
11840105		1873 TAB K450 GR	114,3					
11840202	Nickel Plated Steel	1873 NP TAB K325 GR	82,5	4500	4,15	Color: Red		
11840205		1873 NP TAB K450 GR	114,3					
11840302	Stainless Steel	1873 SS TAB K325 GR	82,5	3500	4,15			
11840305		1873 SS TAB K450 GR	114,3				4,70	
11850102	C45	1873 TAB K325 GR	82,5	4500	4,15	Material: EPDM-PP	PP	
11850105		1873 TAB K450 GR	114,3					
11850202	Nickel Plated Steel	1873 NP TAB K325 GR	82,5	4500	4,15	Color: Black		
11850205		1873 NP TAB K450 GR	114,3					
11850302	Stainless Steel	1873 SS TAB K325 GR	82,5	3500	4,15			
11850305		1873 SS TAB K450 GR	114,3					4,70
11860102	C45	1873 TAB K325 GR	82,5	4500	4,15	Material: TPR		MWX
11860105		1873 TAB K450 GR	114,3					
11860202	Nickel Plated Steel	1873 NP TAB K325 GR	82,5	4500	4,15	Color: Red		
11860205		1873 NP TAB K450 GR	114,3					
11860302	Stainless Steel	1873 SS TAB K325 GR	82,5	3500	4,15			
11860305		1873 SS TAB K450 GR	114,3				4,70	

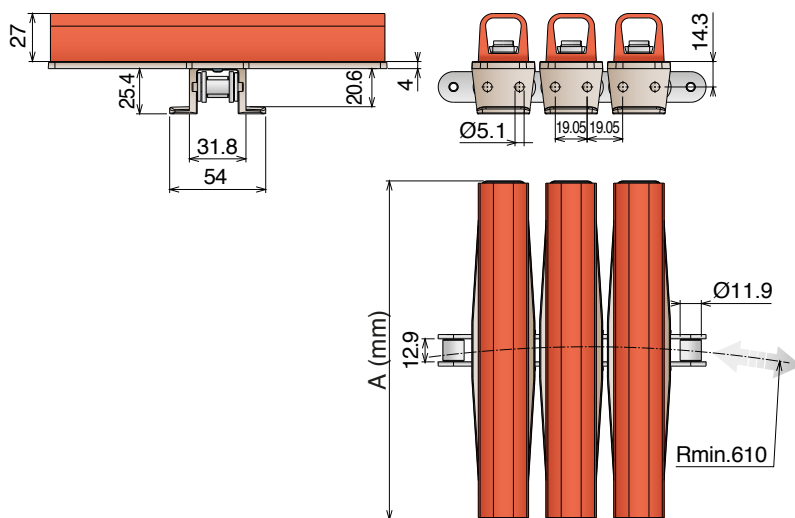
1873 D-SHAPE

Catene in plastica / Plastic chains / Kunststoffkette

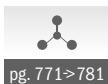
1873 D-SHAPE

Catena curvilinea
Sideflexing chain / Kurvengängige Plattenbandkette

The stainless steel version is supplied with LONG-LIFE SS roller chain. | Backflex radius min.: 200 mm



SPROCKET
ASA 60
Standard on market



TAB SYSTEM

Standard lenght roller chain: 160 Pitches

Article-Nr.	Chain	Ref.	A (Width) mm	Max working load N	Weight kg/m	Rubber	Material	
11870106	C45	1873 TAB K600 D	152,4	4500	4,00	Material: TPR	LF	
11870107		1873 TAB K750 D	190,5					
11870206	Nickel Plated Steel	1873 NP TAB K600 D	152,4	4500	4,00	Color: Red		
11870207		1873 NP TAB K750 D	190,5					
11870306	Stainless Steel	1873 SS TAB K600 D	152,4	3500	4,00	Color: Red		
11870307		1873 SS TAB K750 D	190,5					
11880106	C45	1873 TAB K600 D	152,4	4500	4,00	Material: TPR		MX
11880107		1873 TAB K750 D	190,5					
11880206	Nickel Plated Steel	1873 NP TAB K600 D	152,4	4500	4,00	Color: Red		
11880207		1873 NP TAB K750 D	190,5					
11880306	Stainless Steel	1873 SS TAB K600 D	152,4	3500	4,00	Color: Red		
11880307		1873 SS TAB K750 D	190,5					
11890106	C45	1873 TAB K600 D	152,4	4500	4,00	Material: EPDM-PP	MPX	
11890107		1873 TAB K750 D	190,5					
11890206	Nickel Plated Steel	1873 NP TAB K600 D	152,4	4500	4,00	Color: Black		
11890207		1873 NP TAB K750 D	190,5					
11890306	Stainless Steel	1873 SS TAB K600 D	152,4	3500	4,00	Color: Black		
11890307		1873 SS TAB K750 D	190,5					



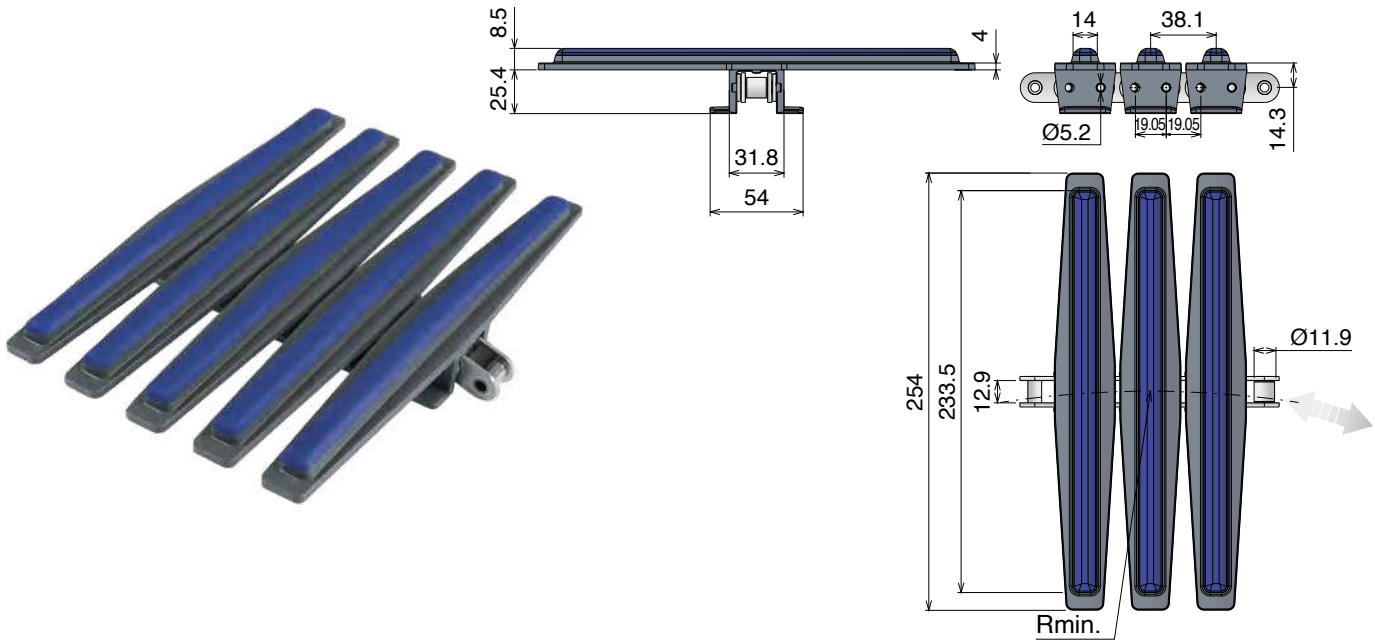
Movex

1873 MX1

Catena curvilinea
Sideflexing chain / Kurvengängige Plattenbandkette

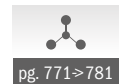
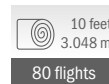
RANGE EXTENSION

The stainless steel version is supplied with LONG-LIFE SS roller chain. | TPE Rubber: 85 ShA | Backflex radius min.: 200 mm



Standard length roller chain: 160 Pitches

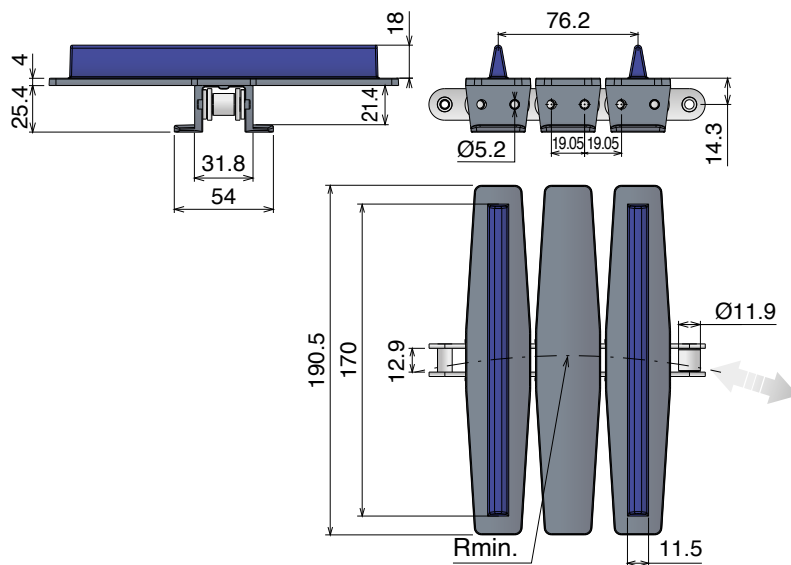
TAB SYSTEM



Article-Nr.	Chain	Ref.	A (Plate Width) mm	B (Rubber Width) mm	Weight kg/m	Max working load N	Rubber	Material
11790107	C45	1873 LF TAB K750	190,5	170,0	3,30	4500	Material: TPE Color: Red	LF
11780107	Nickel Plated Steel					4500		
11690107	Stainless Steel					3500		
11790108	C45	1873 LF TAB K1000	254,0	223,5	3,60	4500		
11780108	Nickel Plated Steel					4500		
11690108	Stainless Steel					3500		
11790111	C45	1873 LF TAB K1161	295,0	280,0	3,90	4500		
11780111	Nickel Plated Steel					4500		
11690111	Stainless Steel					3500		
11790307	C45	1873 MX TAB K750	190,5	170,0	3,30	4500	Material: TPE Color: Blue	MX
11780307	Nickel Plated Steel					4500		
11690307	Stainless Steel					3500		
11790308	C45	1873 MX TAB K1000	254,0	223,5	3,60	4500		
11780308	Nickel Plated Steel					4500		
11690308	Stainless Steel					3500		
11790311	C45	1873 MX TAB K1161	295,0	280,0	3,90	4500		
11780311	Nickel Plated Steel					4500		
11690311	Stainless Steel					3500		

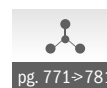
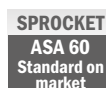
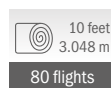
1873 MX2 Catena curvilinea Sideflexing chain / Kurvengängige Plattenbandkette

The stainless steel version is supplied with **LONG-LIFE SS roller chain**. | TPE Rubber: 75 ShA | Backflex radius min.: 200 mm



Standard lenght roller chain: 160 Pitches

TAB SYSTEM



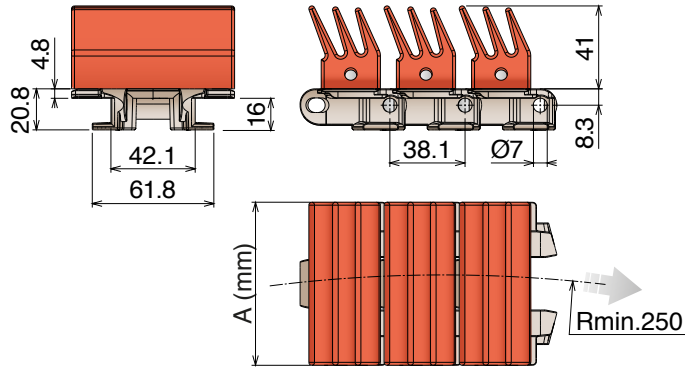
Article-Nr.	Chain	Ref.	Plate Width mm	Weight kg/m	Max working load N	Sideflex radius min. mm	Rubber	Material
11770107	C45	1873 LFTAB K750	190,5	2,60	4500	457	Material: TPE	LF
11760107	Nickel Plated Steel				4500		Color: Red	
11670107	Stainless Steel				3500			
11770307	C45	1873 MX TAB K750	190,5	2,60	4500	457	Material: TPE	MX
11760307	Nickel Plated Steel				4500		Color: Blue	
11670307	Stainless Steel				3500			

878 GRIPPER

Catena curvilinea
Sideflexing chain / Kurvengängige Scharnierbandkette

Delivery: **Easy** Standard

Backflex radius min. **GS1:** 100 mm - **GS2:** 180 mm - **GS4:** 380 mm

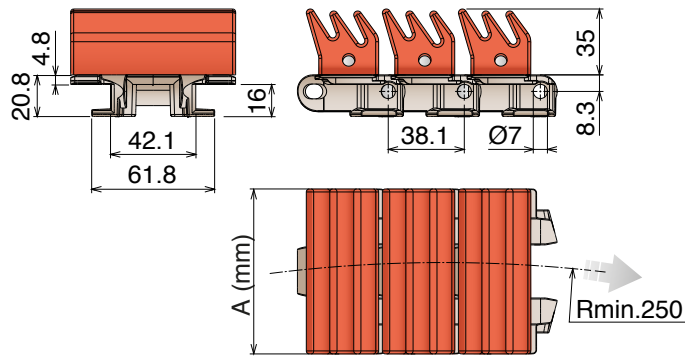


GS1

TAB SYSTEM

10 feet 3.048 m | 80 links | pg. 90-91 | pg. 171/183 | pg. 771>781

Article-Nr.	Ref.	A (Plate Width) mm	R mm	Weight kg/m	Max working load N	Rubber	Material
11800102	LF 878 GS1 K325	82,5	250	4,65	2200	TPR	LF

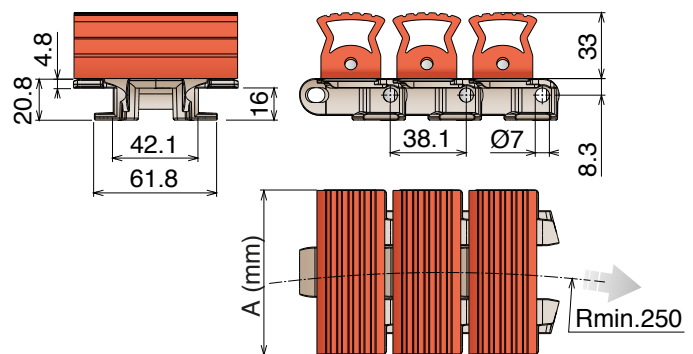


GS2

TAB SYSTEM

10 feet 3.048 m | 80 links | pg. 90-91 | pg. 171/183 | pg. 771>781

Article-Nr.	Ref.	A (Plate Width) mm	R mm	Weight kg/m	Max working load N	Rubber	Material
11810102	LF 878 GS2 K325	82,5	250	4,05	2200	TPR	LF



GS4

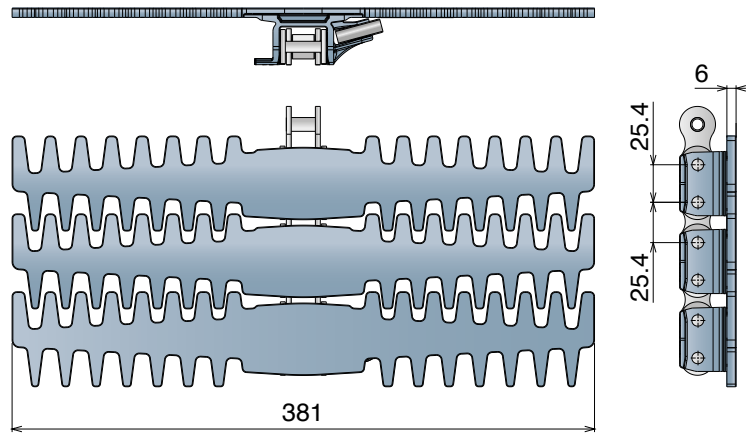
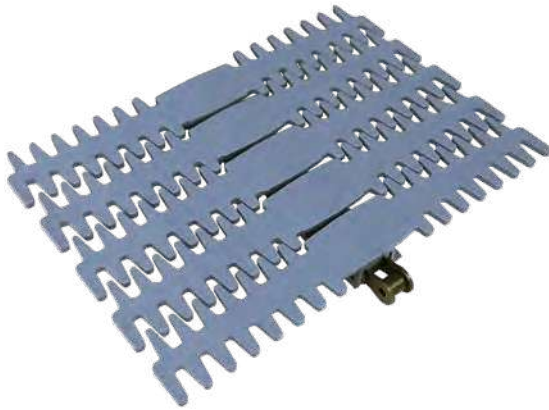
TAB SYSTEM

10 feet 3.048 m | 80 links | pg. 90-91 | pg. 171/183 | pg. 771>781

Article-Nr.	Ref.	A (Plate Width) mm	R mm	Weight kg/m	Max working load N	Rubber	Material
11820102	LF 878 GS4 K325	82,5	250	4,10	2200	TPR	LF

1883 Catena curvilinea Sideflexing chain / Kurvengängige Plattenbandkette

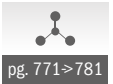
Backflex radius min.: 350 mm



Standard length roller chain: 120 Pitches

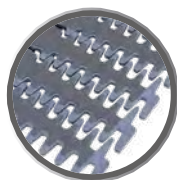


SPROCKET
ASA 80
Standard on market



Article-Nr.	Chain	Ref.	Plate Width mm	Weight kg/m	Max working load N	Sideflex radius min. mm	Material
11640110	C45	LFA 1883 TAB K1500	381,0	12,5	6500	711	LFA

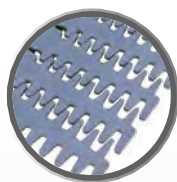
Max Speed High Performance



Grip Top



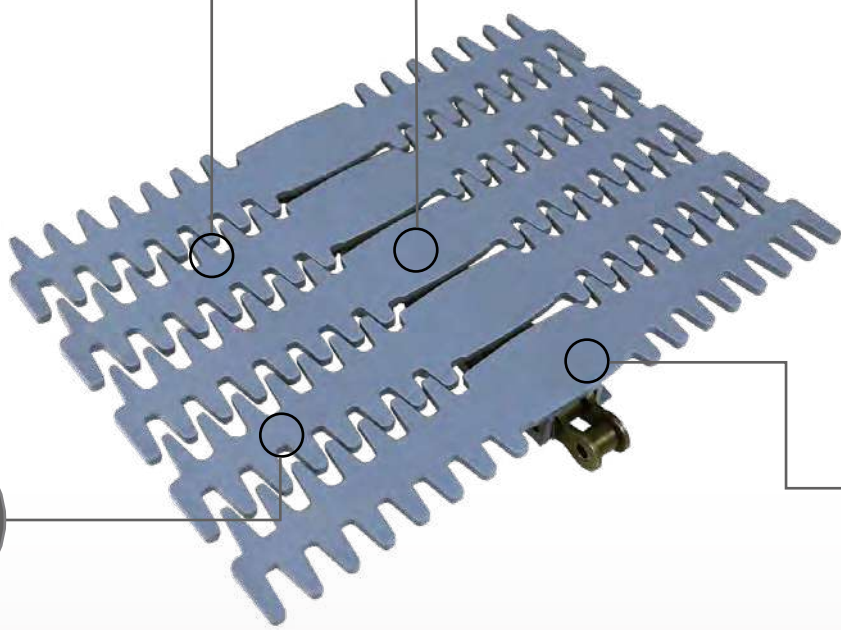
Reinforced Chain C45
Pitch 25.4 mm



Flat Top



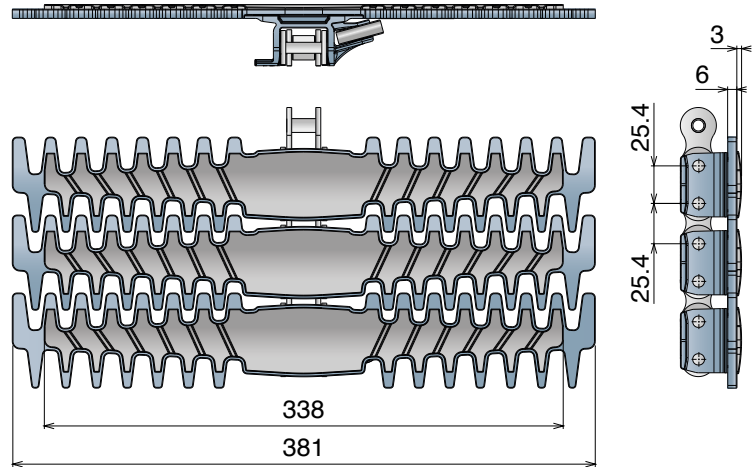
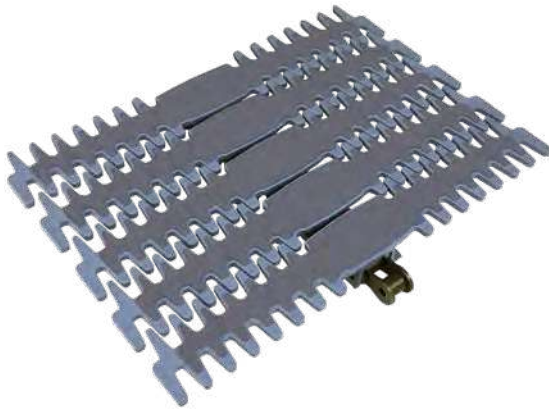
Chrome Steel Ball Bearing



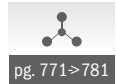
1883 GT

Catena curvilinea
Sideflexing chain / Kurvengängige Plattenbandkette

Backflex radius min.: 350 mm



Standard length roller chain: 120 Pitches



Article-Nr.	Chain	Ref.	Plate Width mm	Weight kg/m	Max working load N	Sideflex radius min. mm	Material
11650110	C45	LFA 1883 GT TAB K1500	381,0	13,0	6500	711	LFA



CC 600-CC 600 TAB

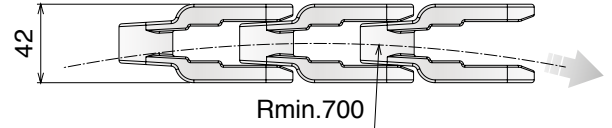
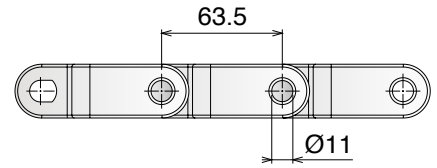
Catene in plastica / Plastic chains / Kunststoffkette

CC 600

Catena curvilinea
Sideflexing chain / Kurvengängige Scharnierbandkette

Delivery: **Easy** Standard

Pins: Stainless Steel | Backflex radius min.: 50 mm



10 feet 3.048 m		
48 links	pg. 99	pg. 771>781

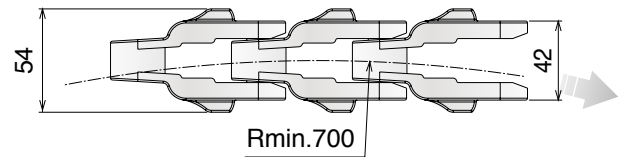
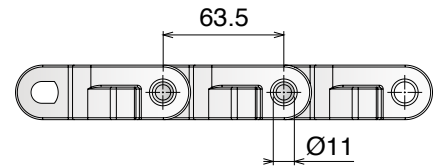
Article-Nr.	Ref.	Plate Width mm	Weight kg/m	Max working load N	Material
11220400	CC 600	42	1,35	4000	LFN
11220300	CC 600	42	1,35	3200	MX

CC 600 TAB

Catena curvilinea
Sideflexing chain / Kurvengängige Scharnierbandkette

Delivery: **Easy** Standard

Pins: Stainless Steel | Backflex radius min.: 50 mm



TAB SYSTEM

10 feet 3.048 m		
48 links	pg. 99	pg. 771>781

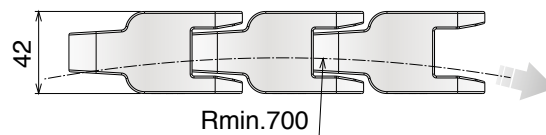
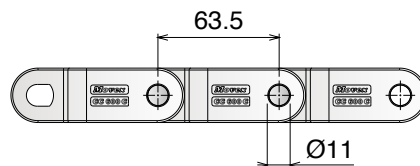
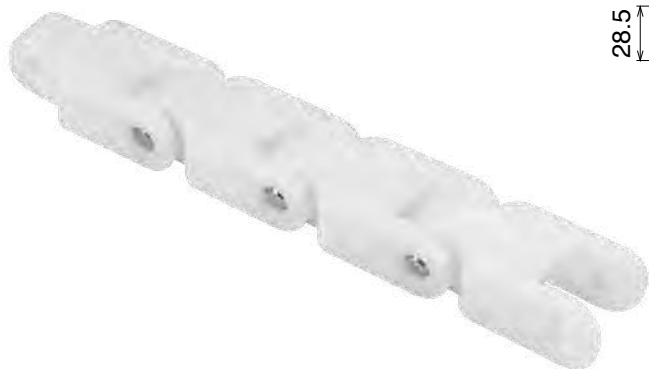
Article-Nr.	Ref.	Plate Width mm	Weight kg/m	Max working load N	Material
11230400	CC 600 TAB	42	1,45	4000	LFN
11230300	CC 600 TAB	42	1,45	3200	MX

CC 600 D

Catena curvilinea
Sideflexing chain / Kurvengängige Scharnierbandkette

Delivery: **Easy** Standard

Pins: Stainless Steel | Backflex radius min.: 50 mm



48 links



pg. 99



pg. 771>781

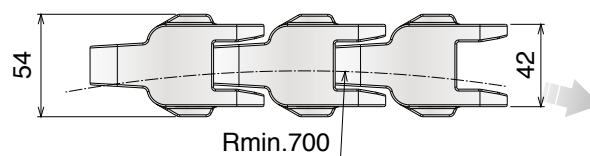
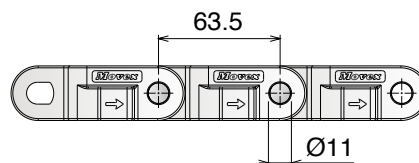
Article-Nr.	Ref.	Plate Width mm	Weight kg/m	Max working load N	Material
11220410	CC 600 D	42	1,40	4000	LFN
11220310	CC 600 D	42	1,40	3200	MX

CC 600 D TAB

Catena curvilinea
Sideflexing chain / Kurvengängige Scharnierbandkette

Delivery: **Easy** Standard

Pins: Stainless Steel | Backflex radius min.: 50 mm



TAB SYSTEM



48 links



pg. 99



pg. 771>781

Article-Nr.	Ref.	Plate Width mm	Weight kg/m	Max working load N	Material
11230410	CC 600 D TAB	42	1,55	4000	LFN
11230310	CC 600 D TAB	42	1,55	3200	MX

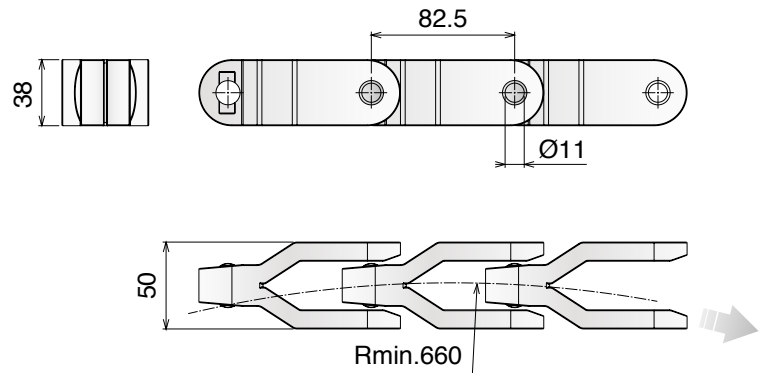
CC 1400-CC 1400 TAB

Catene in plastica / Plastic chains / Kunststoffkette

CC 1400

Catena curvilinea
Sideflexing chain / Kurvengängige Scharnierbandkette

Pins: Stainless Steel | Backflex radius min.: 50 mm



10 feet
3.052 m
37 links

pg. 99

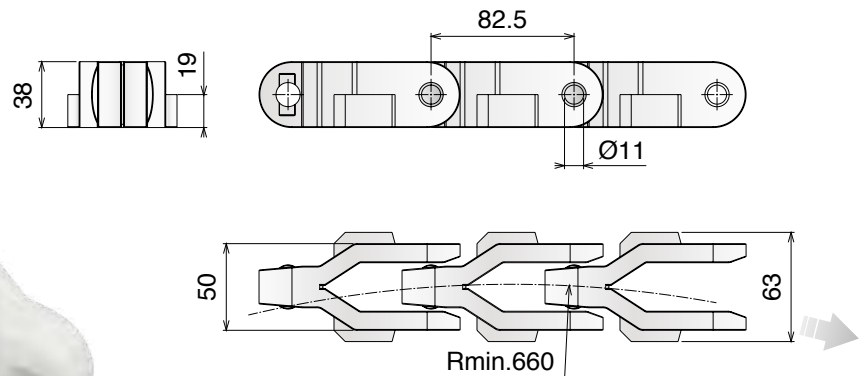
pg. 771>781

Article-Nr.	Ref.	Plate Width mm	Weight kg/m	Max working load N	Material
11300400	CC 1400	50	3,24	6500	LFN
11300300	CC 1400	50	3,24	5200	MX

CC 1400 TAB

Catena curvilinea
Sideflexing chain / Kurvengängige Scharnierbandkette

Pins: Stainless Steel | Backflex radius min.: 50 mm



TAB SYSTEM

10 feet
3.052 m
37 links

pg. 99

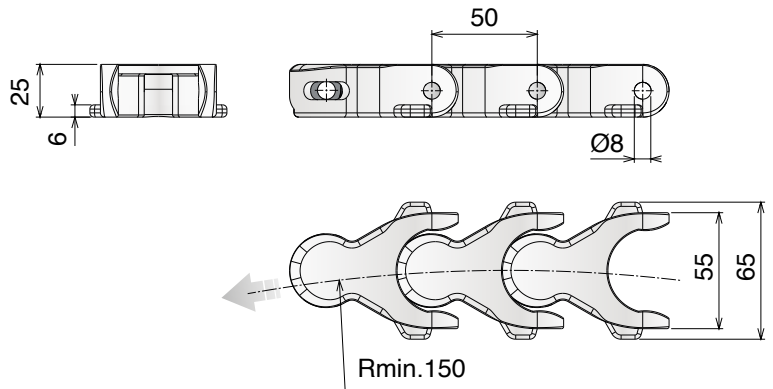
pg. 771>781

Article-Nr.	Ref.	Plate Width mm	Weight kg/m	Max working load N	Material
11310400	CC 1400 TAB	50	3,24	6500	LFN
11310300	CC 1400 TAB	50	3,24	5200	MX






1701 TAB OP

Catena curvilinea
Sideflexing chain / Kardankette

Pins: Stainless Steel | Backflex radius min.: 50 mm



TAB SYSTEM

 10 feet 3.050 m	 pg. 100	 pg. 106	 pg. 177/185	 pg. 771>781
61 links				

Article-Nr.	Ref.	Plate Width mm	Weight kg/m	Max working load N	Material
11360400	LF 1701 TAB OP	55	1,40	2700	LFN

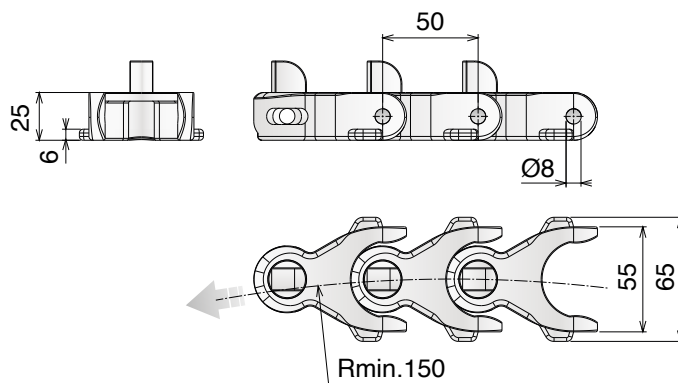
1701 TAB OPF

Catene in plastica / Plastic chains / Kunststoffkette

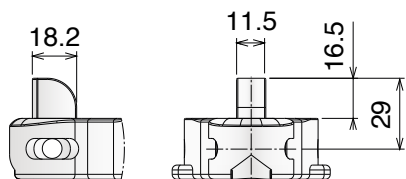
1701 TAB OPF

Catena curvilinea
Sideflexing chain / Kardankette

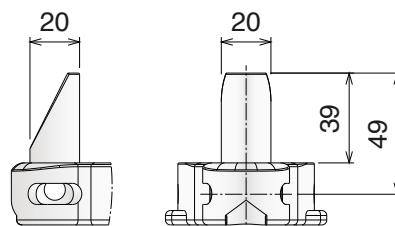
Pins: Stainless Steel | Backflex radius min. Type A/B/C: 100 mm | Backflex radius min. Type D: 120 mm



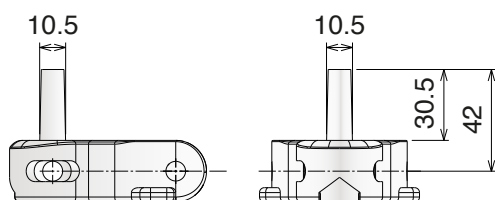
Type A



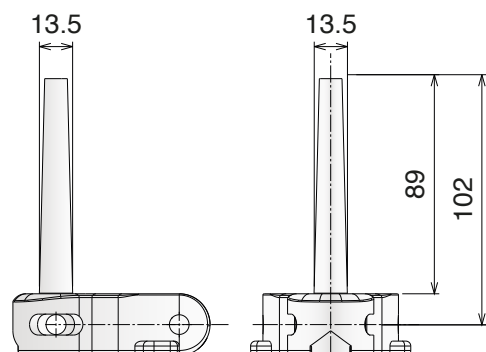
Type B



Type C



Type D



TAB SYSTEM



10 feet
3.050 m



61 links



pg. 100



pg. 106



pg. 177/185



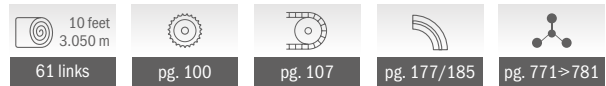
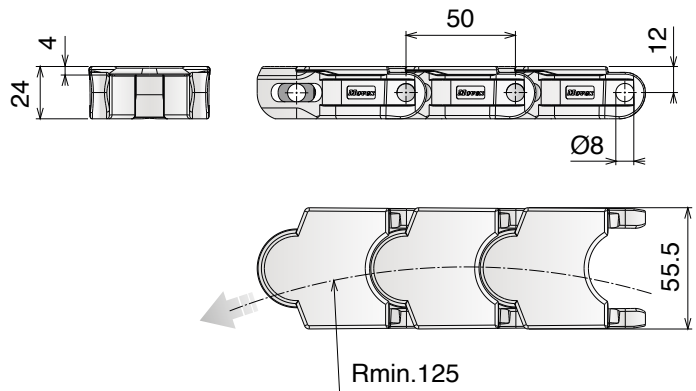
pg. 771 > 781

Article-Nr.	Ref.	Plate Width mm	Weight kg/m	Max working load N	Material
11360400-FA	1701 TAB Type A	55	1,60	2700	LFN
11360400-FB	1701 TAB Type B	55	1,60		
11360400-FC	1701 TAB Type C	55	2,00		
11360400-FD	1701 TAB Type D	55	2,30		

1706

Catena curvilinea
Sideflexing chain / Kardankette

Pins: Stainless Steel | Backflex radius min.: 80 mm

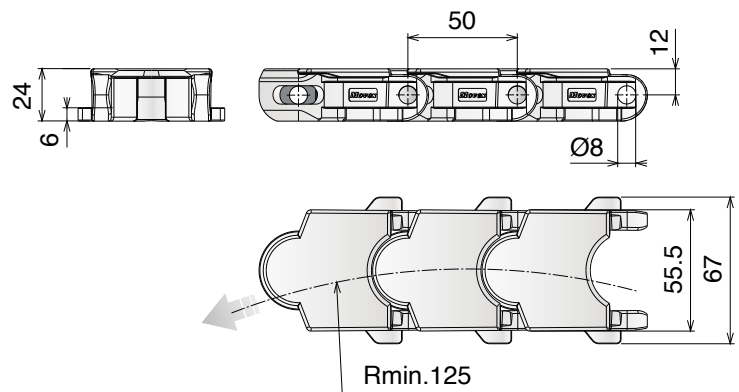


Article-Nr.	Ref.	Plate Width mm	Weight kg/m	Max working load N	Material
11720400	LF 1706	55,5	1,35	2300	LFN
11720300	MX 1706	55,5	1,35	1900	MX

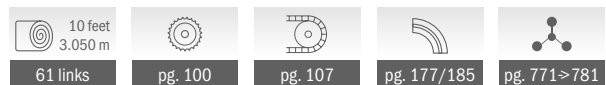
1706 TAB

Catena curvilinea
Sideflexing chain / Kardankette

Pins: Stainless Steel | Backflex radius min.: 80 mm



TAB SYSTEM



Article-Nr.	Ref.	Plate Width mm	Weight kg/m	Max working load N	Material
11730400	LF 1706 TAB	55,5	1,38	2300	LFN
11730300	MX 1706 TAB	55,5	1,38	1900	MX

765 NO GAP

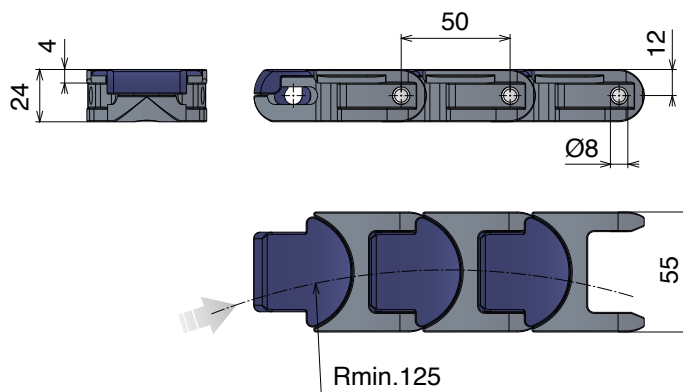
Catene in plastica / Plastic chains / Kunststoffkette

765 NO GAP

Catena curvilinea
Sideflexing chain / Kardankette

Delivery: **Easy** Standard

Pins: Stainless Steel | Backflex radius min.: 50 mm



61 links



pg. 100



pg. 107



pg. 771>781

Article-Nr.	Ref.	Plate Width mm	Weight kg/m	Max working load N	Frame Material	Plate Material
1194998	765 MX NO GAP	55	1,46	2200	MX	MK

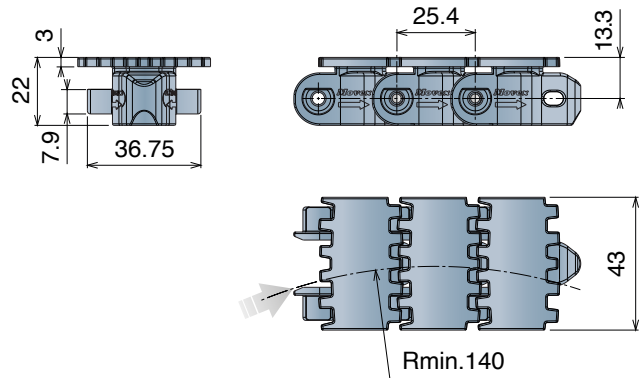


Advantages:

- Improved safety
- Product stability
- Ideal to transport small products

NEW 43 MFS PRO Catena curvilinea Sideflexing chain / Kardankette

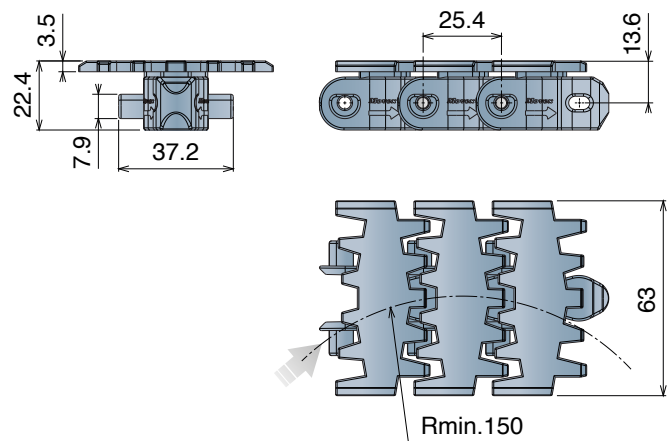
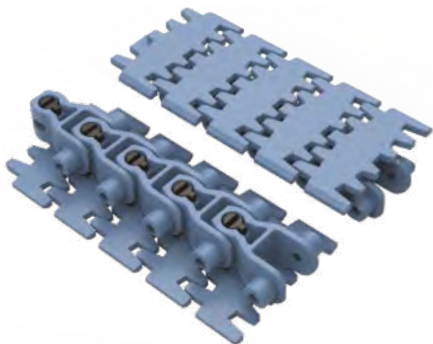
Pins: Stainless Steel | Backflex radius min.: 130 mm



Article-Nr.	Ref.	Plate Width mm	Weight kg/m	Pitch mm	Radius min. mm	Max working load N	Chain material	Pivot material
11460400	LFA 43 MFS	43	0,511	25,4	140	2300	LFA	MX
11460000	LFN 43 MFS	43	0,511	25,4	140	2300	LFN	MX White

NEW 63 MFL PRO Catena curvilinea Sideflexing chain / Kardankette

Pins: Stainless Steel | Backflex radius min.: 110 mm



Article-Nr.	Ref.	Plate Width mm	Weight kg/m	Pitch mm	Radius min. mm	Max working load N	Chain material	Pivot material
11460401	LFA 63 MFL	63	0,737	25,4	150	2400	LFA	MX
11460001	LFN 63 MFL	63	0,737	25,4	150	2400	LFN	MX White

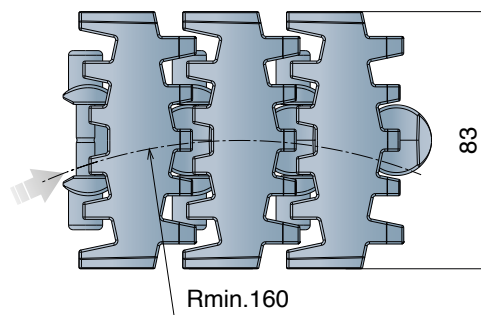
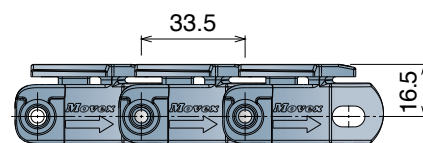
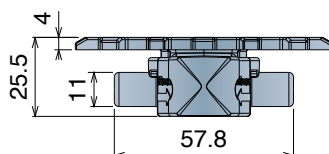
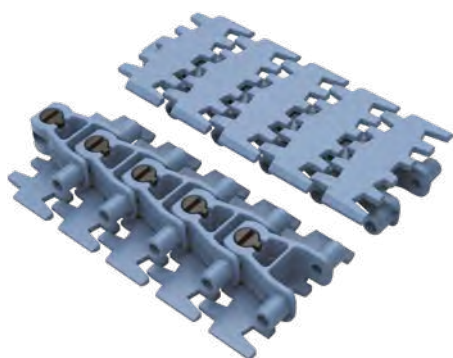
83 MFM PRO-103 MFH PRO

Catene in plastica / Plastic chains / Kunststoffkette

NEW 83 MFM PRO

Catena curvilinea
Sideflexing chain / Kardankette

Pins: Stainless Steel | Backflex radius min.: 75 mm

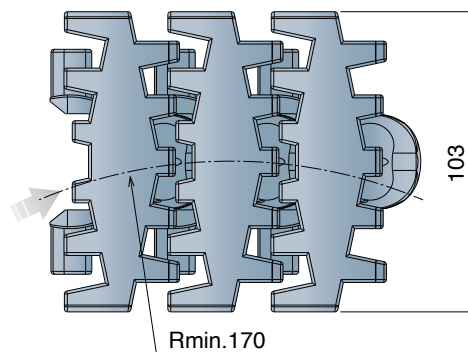
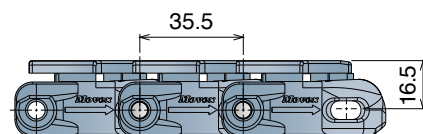
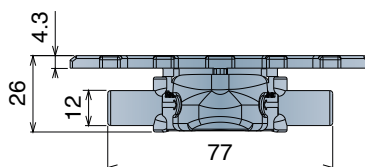
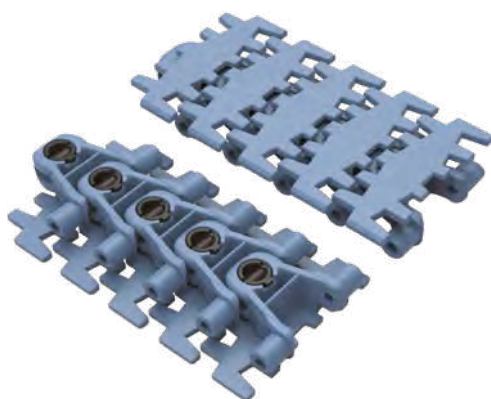


Article-Nr.	Ref.	Plate Width mm	Weight kg/m	Pitch mm	Radius min. mm	Max working load N	Chain material	Pivot material
11460402	LFA 83 MFM	83	0,955	33,5	160	2400	LFA	MX
11460002	LFN 83 MFM	83	0,955	33,5	160	2400	LFN	MX White

NEW 103 MFH PRO

Catena curvilinea
Sideflexing chain / Kardankette

Pins: Stainless Steel | Backflex radius min.: 100 mm



Article-Nr.	Ref.	Plate Width mm	Weight kg/m	Pitch mm	Radius min. mm	Max working load N	Chain material	Pivot material
11460403	LFA 103 MFH	103	1,648	35,5	170	2400	LFA	MX
11460003	LFN 103 MFH	103	1,648	35,5	170	2400	LFN	MX White



Movex[®]
OFFICIAL UK PARTNER

Oadby Conveyors

Oadby Conveyors
68 Scudamore Road
Braunstone Frith Ind. Est.
Leicester
LE3 1UA

0116 232 4848
convteam@oadbyplastics.co.uk

Head Office

Oadby Plastics Ltd
68 Scudamore Road
Braunstone Frith Ind. Est.
Leicester
LE3 1UA

0116 232 1010
sales@oadbyplastics.co.uk

For further information and specification details please visit our comprehensive website. Due to a policy of continual product development, Oadby Conveyors reserves the right to alter any of the specifications given in the publication without prior notice. The specification must be checked with Oadby Conveyors prior to manufacture. For this reason no responsibility or liability for accuracy is accepted by Oadby Conveyors.

Company registration No. 03542957 | www.oadbyconveyors.co.uk



Certificate Number 8147
ISO 9001, ISO 14001