

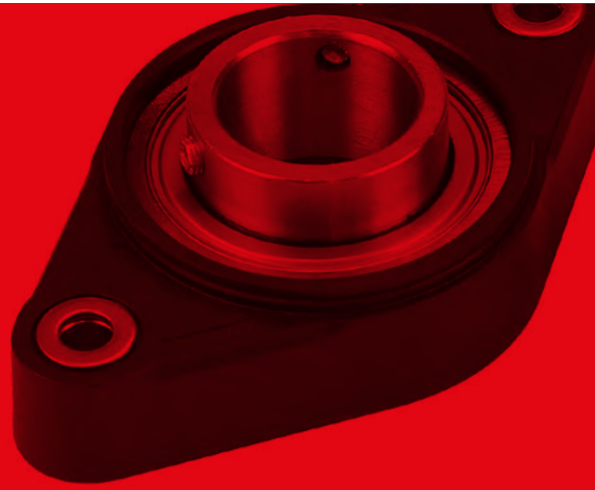
Product Overview



Bearing Supports



Movex[®]
OFFICIAL UK PARTNER



UCFL Series

Ø20-Ø25-Ø30-Ø35-Ø40



Standard and watertight version

Page 597

UCF Series

Ø25-Ø30-Ø35-Ø40



Standard and watertight version

Page 609

UCFA Series

Ø20-Ø25-Ø30



Standard and watertight version

Page 622

UCFL-H | UCF-H Series

Ø30-Ø35-Ø40



Watertight version

Page 629

CL | CS Series

Ø30-Ø35-Ø40



Watertight version

Page 638/646

SUCF | SUCFL | SUCFK Series

Ø20-Ø25-Ø30-Ø35-Ø45



Standard version

Page 654

HYGIENIC Series



Standard and watertight version

Page 658

Accessories

HYGIENIC SAFETY CAP AND SEALING RING

STANDARD SAFETY CAP



Pag 674



Pag 675

UCFL

Delivery: **Easy** Standard

UCFL standard

WITH GRUB SCREW



REINFORCED VERSION

Page 597

SOLID VERSION

Page 598

UCFL watertight

WITH GRUB SCREW



REINFORCED VERSION

Close & open cap page 599/600

SOLID VERSION

Close & open cap page 601/602

UCFL standard

WITH LOCKING COLLAR
(eccentric ring)



REINFORCED VERSION

Page 603

SOLID VERSION

Page 604

UCFL watertight

WITH LOCKING COLLAR
(eccentric ring)



REINFORCED VERSION

Close & open cap page 605/606

SOLID VERSION

Close & open cap page 607/608

SS ProRun

*The **Pro** choice for uncompromising performance.*

Manufactured with premium materials to ensure maximum reliability and durability, the new **SS ProRun** bearing insert is the ideal solution for those who need performance, even in the most demanding environments and under the most critical conditions.

- **AISI 440 rings:** Absolute guarantee of precision and robustness.
- **AISI 440 bearings and balls:** Maximum corrosion resistance and longevity.
- **FDA blue NBR seals:** Perfect sealing, protection from contaminants.
- **FDA-certified grease:** Superior lubrication for excellent and long-lasting performance.

Optimize your operations and choose quality that lasts; choose **SS ProRun**.

Browse the catalog and discover the available versions.

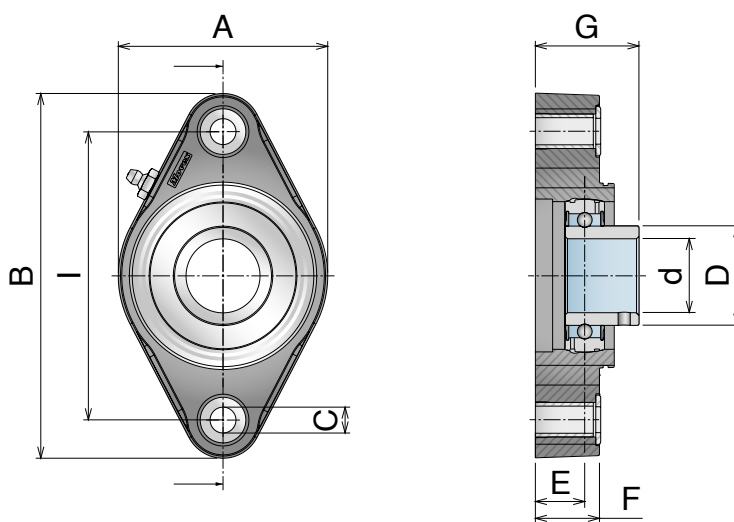


UCFL Grub screw

Standard bearings - reinforced version

Main features:

- Housing in reinforced polyamide
- Chrome steel or stainless steel ball bearing (pre-lubricated)
- Nickel-plated brass mounting hole spacers
- Nickel plated steel or SS grease nipple with self-forming thread M6
- Stainless steel washers



FIXING METHOD



GRUB SCREW

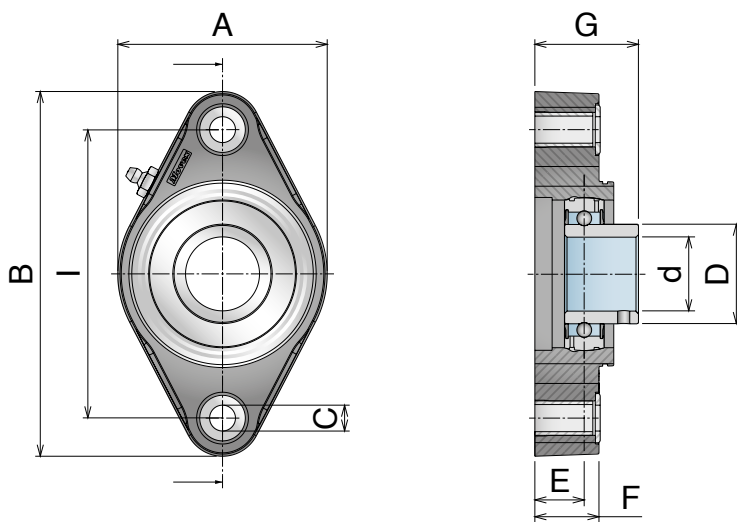
Chrome Steel		Stainless Steel										Caps (Accessories)	
Article-Number		Series	d	I	A	B	C	D	E	F	G	Close	Open
80110	80110SS	UCFL 204	20	90	62	116	11	29	16	20	34	89004	89054-20
80100	80100SS	UCFL 204/90		90	71	130	11	29	17,5	22,5	33,5	89001	89051-20
80121	80121SS	UCFL 205/90	25	90	85	116	11	34	14,5	20	34	89005	89055-25
80101	80101SS	UCFL 205/90		90	71	130	11	34	16,8	22,5	36,3	89001	89051-25
80111	80111SS	UCFL 205		99	71	130	11	34	16,8	22,5	36,3	89001	89051-25
80122	80122SS	UCFL 206/90	30	90	85	116	11	40,3	14,5	20	36,5	89005	89055-30
80132	80132SS	UCFL 206/99		99	85	130	11	40,3	20	26	42	89002	89052-30
80102	80102SS	UCFL 206/99		99	85	148	11	40,3	20	26	42	89002	89052-30
80112	80112SS	UCFL 206		117	85	148	11	40,3	20	26	42	89002	89052-30
80103	80103SS	UCFL 207/117	35	117	93	148	11	48	19,5	26	43	89003	89053-35
80123	80123SS	UCFL 207/117		117	112	148	11	48	19,5	26	43	89003	89053-35
80113	80113SS	UCFL 207		130	93	162	11	48	19,5	26	43	89003	89053-35
80104	80104SS	UCFL 208/117	40	117	93	148	11	53	19	26	44	89003	89053-40
80124	80124SS	UCFL 208/117		117	112	148	11	53	19	26	44	89003	89053-40
80114	80114SS	UCFL 208		130	93	162	11	53	19	26	44	89003	89053-40

UCFL Grub screw

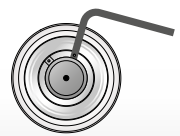
Standard bearings - solid version

Main features:

- Housing in reinforced polypropylene
- Chrome steel or stainless steel ball bearing (pre-lubricated)
- Nickel-plated brass mounting hole spacers
- Nickel plated steel or SS grease nipple with self-forming thread M6
- Stainless steel washers



FIXING METHOD



GRUB SCREW

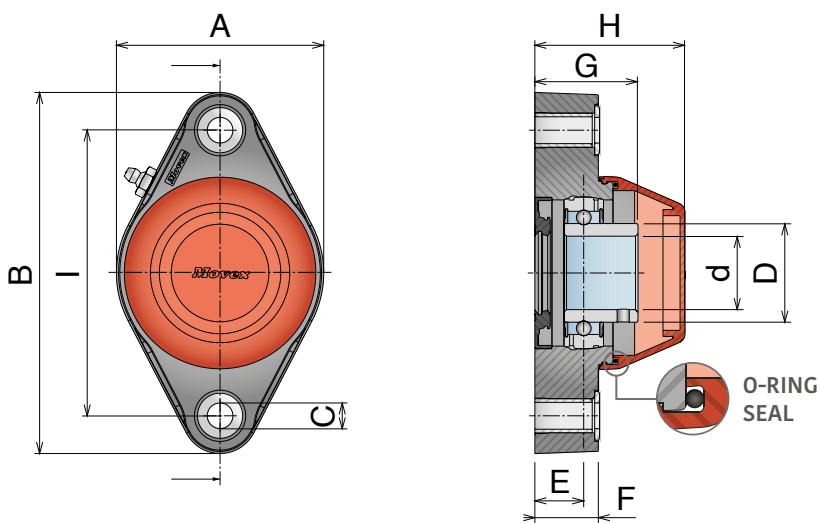
Chrome Steel	Stainless Steel											Caps (Accessories)	
Article-Number		Series	d	I	A	B	C	D	E	F	G	Close	Open
82205	82205SS	UCFL 204/76,5	20	76,4	55,9	100	10,2	29	15,5	12	33,5	89004	89054-20
82210	82210SS	UCFL 204		90	62	116	11	29	16	20	34	89004	89054-20
82201	82201SS	UCFL 205/90	25	90	71	130	10,2	34	16,8	22,5	36,3	89001	89051-25
82211	82211SS	UCFL 205		99	71	130	11	34	16,8	22,5	36,3	89001	89051-25
82222	82222SS	UCFL 206/90	30	90	85	116	10,2	40,3	14,5	20	36,5	89005	89055-30
82212	82212SS	UCFL 206		117	85	148	11	40,3	20	26	42	89002	89052-30
82203	82203SS	UCFL 207/117	35	117	93	148	11	48	19,5	26	43	89003	89053-35
82223	82223SS	UCFL 207/117		117	112	148	11	48	19,5	26	43	89003	89053-35
82213	82213SS	UCFL 207		130	93	162	11	48	19,5	26	43	89003	89053-35
82204	82204SS	UCFL 208/117	40	117	93	148	11	53	19	26	44	89003	89053-40
82224	82224SS	UCFL 208/117		117	112	148	11	53	19	26	44	89003	89053-40

UCFL Grub screw

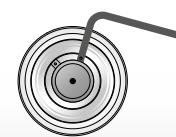
Watertight bearings - reinforced version

Main features:

- Housing in reinforced polyamide
- Chrome steel or stainless steel ball bearing (pre-lubricated)
- Nickel-plated brass mounting hole spacers
- Nickel plated steel or SS grease nipple with self-forming thread M6
- Polypropylene closed cap with O-ring seal
- Stainless steel washers
- NBR bottom seal



FIXING METHOD



GRUB SCREW

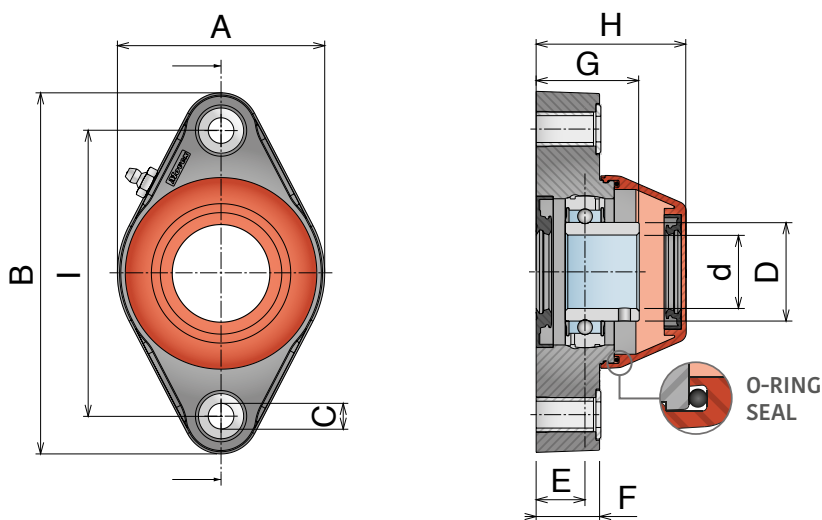
Chrome Steel	Chrome Steel "Long life"	Stainless Steel	Article-Number	Series	d	I	A	B	C	D	E	F	G	H
	80310L	80310SS	UCFL 204	UCFL 204	20	90	62	116	11	29	16	20	34	51,5
	80300L	80300SS	UCFL 204			90	71	130	11	29	17,5	22,5	33,5	52
	80321L	80321SS	UCFL 205/90	UCFL 205/90	25	90	85	116	11	34	14,5	20	34	55,5
	80301L	80301SS	UCFL 205/90			90	71	130	11	34	16,8	22,5	36,3	52
	80311L	80311SS	UCFL 205			99	71	130	11	34	16,8	22,5	36,3	52
	80322L	80322SS	UCFL 206/90	UCFL 206/90	30	90	85	116	11	40,3	14,5	20	36,5	55,5
	80332L	80332SS	UCFL 206/99			99	85	130	11	40,3	20	26	42	61,5
	80302L	80302SS	UCFL 206/99			99	85	148	11	40,3	20	26	42	61,5
	80312L	80312SS	UCFL 206			117	85	148	11	40,3	20	26	42	61,5
	80303L	80303SS	UCFL 207/117	UCFL 207/117	35	117	93	148	11	48	19,5	26	43	66,5
	80323L	80323SS	UCFL 207/117			117	112	148	11	48	19,5	26	43	66,5
	80313L	80313SS	UCFL 207			130	93	162	11	48	19,5	26	43	66,5
	80304L	80304SS	UCFL 208/117	UCFL 208/117	40	117	93	148	11	53	19	26	44	66,5
	80324L	80324SS	UCFL 208/117			117	112	148	11	53	19	26	44	66,5
	80314L	80314SS	UCFL 208			130	93	162	11	53	19	26	44	66,5

UCFL *Grub screw*

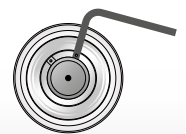
Watertight bearings - reinforced version

Main features:

- Housing in reinforced polyamide
- Chrome steel or stainless steel ball bearing (pre-lubricated)
- Nickel-plated brass mounting hole spacers
- Nickel plated steel or SS grease nipple with self-forming thread M6
- Polypropylene open cap with O-ring seal & NBR top seal
- Stainless steel washers
- NBR bottom seal



FIXING METHOD



GRUB SCREW

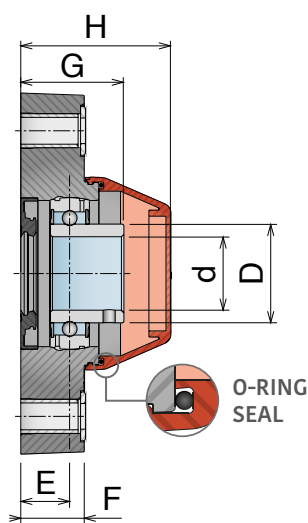
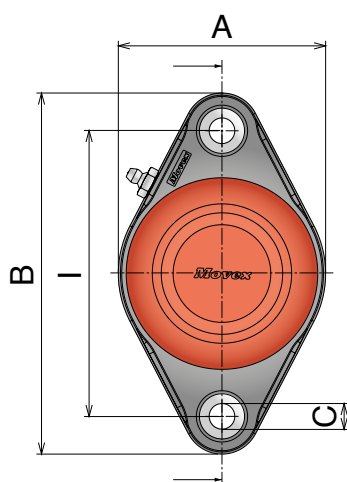
Chrome Steel	Chrome Steel "Long life"	Stainless Steel	Article-Number	Series	d	I	A	B	C	D	E	F	G	H
	80410L	80410SS	UCFL 204	UCFL 204	20	90	62	116	11	29	16	20	34	51,5
	80400L	80400SS	UCFL 204			90	71	130	11	29	17,5	22,5	33,5	52
	80421L	80421SS	UCFL 205/90	UCFL 205/90	25	90	85	116	11	34	14,5	20	34	55,5
	80401L	80401SS	UCFL 205/90			90	71	130	11	34	16,8	22,5	36,3	52
	80411L	80411SS	UCFL 205			99	71	130	11	34	16,8	22,5	36,3	52
	80422L	80422SS	UCFL 206/90	UCFL 206/99	30	90	85	116	11	40,3	14,5	20	36,5	55,5
	80432L	80432SS	UCFL 206/99			99	85	130	11	40,3	20	26	42	61,5
	80402L	80402SS	UCFL 206/99			99	85	148	11	40,3	20	26	42	61,5
	80412L	80412SS	UCFL 206			117	85	148	11	40,3	20	26	42	61,5
	80403L	80403SS	UCFL 207/117	UCFL 207/117	35	117	93	148	11	48	19,5	26	43	66,5
	80423L	80423SS	UCFL 207/117			117	112	148	11	48	19,5	26	43	66,5
	80413L	80413SS	UCFL 207			130	93	162	11	48	19,5	26	43	66,5
	80404L	80404SS	UCFL 208/117	UCFL 208/117	40	117	93	148	11	53	19	26	44	66,5
	80424L	80424SS	UCFL 208/117			117	112	148	11	53	19	26	44	66,5
	80414L	80414SS	UCFL 208			130	93	162	11	53	19	26	44	66,5

UCFL Grub screw

Watertight bearings - solid version

Main features:

- Housing in reinforced polypropylene
- Chrome steel or stainless steel ball bearing (pre-lubricated)
- Nickel-plated brass mounting hole spacers
- Nickel plated steel or SS grease nipple with self-forming thread M6
- Polypropylene closed cap with O-ring seal
- Stainless steel washers
- NBR bottom seal



FIXING METHOD



GRUB SCREW

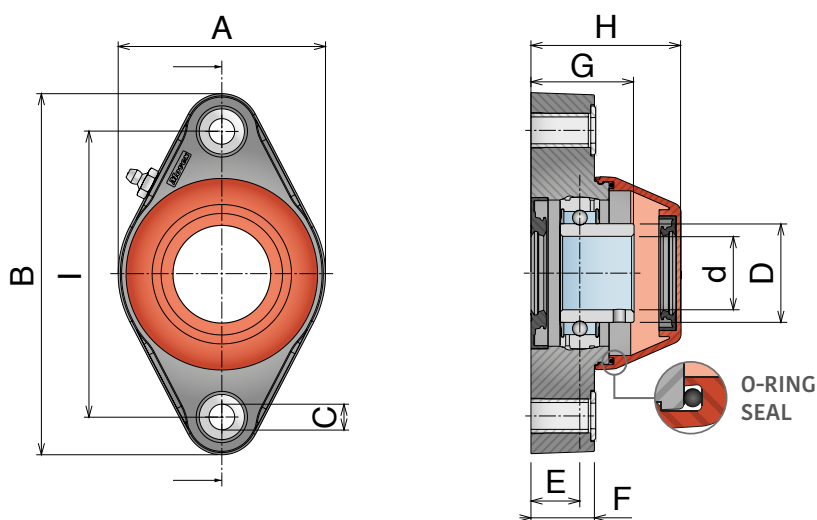
Chrome Steel	Chrome Steel "Long life"	Stainless Steel	SS ProRun	Article-Number	Series	d	l	A	B	C	D	E	F	G	H
82405	82405L	82405SS	82405LSS	UCFL 204/76,5	UCFL 204	20	76,5	56	100	10,2	29	15,5	12	26	49
82410	82410L	82410SS	82410LSS	UCFL 204			90	62	116	11	29	16	20	34	51,5
82401	82401L	82401SS	82401LSS	UCFL 205/90	UCFL 205	25	90	71	130	10,2	34	16,8	22,5	36,3	52
82411	82411L	82411SS	82411LSS	UCFL 205			99	71	130	11	34	16,8	22,5	36,3	52
82422	82422L	82422SS	82422LSS	UCFL 206/90	UCFL 206	30	90	85	116	10,2	40,3	14,5	20	36,5	55,5
82412	82412L	82412SS	82412LSS	UCFL 206			117	85	148	11	40,3	20	26	42	61,5
82403	82403L	82403SS	82403LSS	UCFL 207/117	UCFL 207/117	35	117	93	148	11	48	19,5	26	43	66,5
82423	82423L	82423SS	82423LSS	UCFL 207/117			117	112	148	11	48	19,5	26	43	66,5
82413	82413L	82413SS	82413LSS	UCFL 207			117	93	162	11	48	19,5	26	43	66,5
82404	82404L	82404SS	82404LSS	UCFL 208/117	UCFL 208/117	40	117	93	148	11	53	19	26	44	66,5
82424	82424L	82424SS	82424LSS	UCFL 208/117			117	112	148	11	53	19	26	44	66,5

UCFL Grub screw

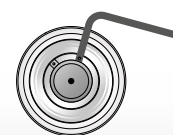
Watertight bearings - solid version

Main features:

- Housing in reinforced polypropylene
- Chrome steel or stainless steel ball bearing (pre-lubricated)
- Nickel-plated brass mounting hole spacers
- Nickel plated steel or SS grease nipple with self-forming thread M6
- Polypropylene open cap with O-ring seal & NBR top seal
- Stainless steel washers
- NBR bottom seal



FIXING METHOD



GRUB SCREW

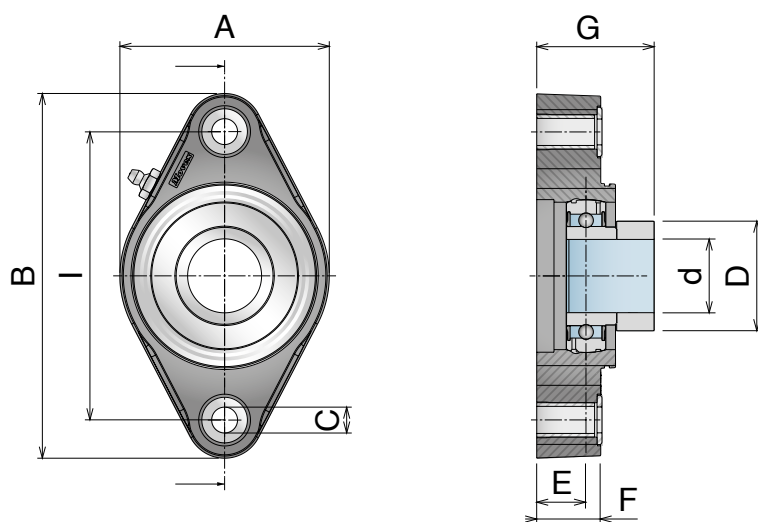
Chrome Steel	Chrome Steel "Long life"	Stainless Steel	SS ProRun	Article-Number	Series	d	I	A	B	C	D	E	F	G	H
82505	82505L	82505SS	82505LSS	UCFL 204/76,5	UCFL 204	20	76,5	56	100	10,2	29	15,5	12	26	49
82510	82510L	82510SS	82510LSS	UCFL 204			90	62	116	11	29	16	20	34	51,5
82501	82501L	82501SS	82501LSS	UCFL 205/90	UCFL 205	25	90	71	130	10,2	34	16,8	22,5	36,3	52
82511	82511L	82511SS	82511LSS	UCFL 205			99	71	130	11	34	16,8	22,5	36,3	52
82522	82522L	82522SS	82522LSS	UCFL 206/90	UCFL 206	30	90	85	116	10,2	40,3	14,5	20	36,5	55,5
82512	82512L	82512SS	82512LSS	UCFL 206			117	85	148	11	40,3	20	26	42	61,5
82503	82503L	82503SS	82503LSS	UCFL 207/117	UCFL 207/117	35	117	93	148	11	48	19,5	26	43	66,5
82523	82523L	82523SS	82523LSS	UCFL 207/117			117	112	148	11	48	19,5	26	43	66,5
82513	82513L	82513SS	82513LSS	UCFL 207			130	93	162	11	48	19,5	26	43	66,5
82504	82504L	82504SS	82504LSS	UCFL 208/117	UCFL 208/117	40	117	93	148	11	53	19	26	44	66,5
82524	82524L	82524SS	82524LSS	UCFL 208/117			117	112	148	11	53	19	26	44	66,5

UCFL Locking collar

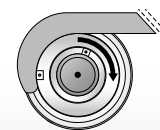
Standard bearings - reinforced version

Main features:

- Housing in reinforced polyamide
- Chrome steel ball bearing (pre-lubricated)
- Nickel-plated brass mounting hole spacers
- Nickel plated steel or SS grease nipple with self-forming thread M6
- Stainless steel washers



FIXING METHOD
(ECCENTRIC RING)



LOCKING COLLAR

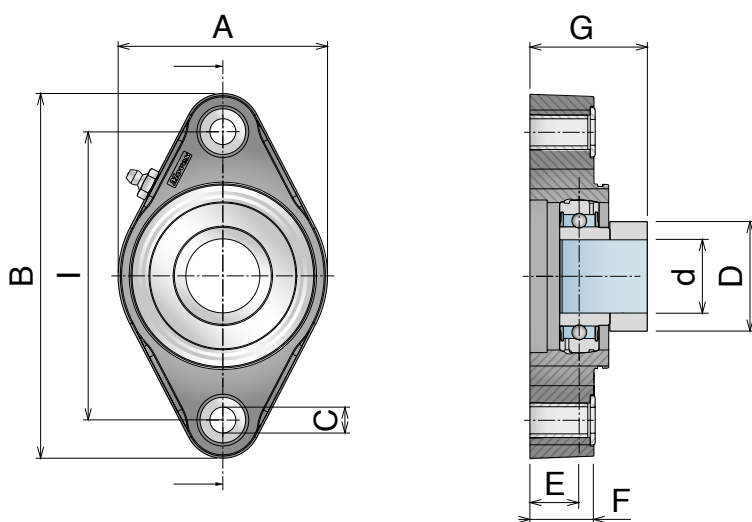
Chrome Steel											Caps (Accessories)	
Article-Number	Series	d	I	A	B	C	D	E	F	G	Close	Open
80210	UCFL 204	20	90	62	116	11	33,3	16	20	39,9	89004	89054-20
80200	UCFL 204		90	71	130	11	33,3	17,5	22,5	41,4	89001	89051-20
80221	UCFL 205/90	25	90	85	116	11	38,1	14,5	20	37,9	89005	89055-25
80201	UCFL 205/90		90	71	130	11	38,1	16,8	22,5	40,2	89001	89051-25
80211	UCFL 205		99	71	130	11	38,1	16,8	22,5	40,2	89001	89051-25
80222	UCFL 206/90	30	90	85	116	11	44,5	14,5	20	42,2	89005	89055-30
80232	UCFL 206/99		99	85	130	11	44,5	20	26	47,7	89002	89052-30
80202	UCFL 206/99		99	85	148	11	44,5	20	26	47,7	89002	89052-30
80212	UCFL 206		117	85	148	11	44,5	20	26	47,7	89002	89052-30
80203	UCFL 207/117	35	117	93	148	11	55,6	19,5	26	49,9	89003	89053-35
80223	UCFL 207/117		117	112	148	11	55,6	19,5	26	49,9	89003	89053-35
80213	UCFL 207		130	93	162	11	55,6	19,5	26	49,9	89003	89053-35
80204	UCFL 208/117	40	117	93	148	11	60,3	19	26	53,7	89003	89053-40
80224	UCFL 208/117		117	112	148	11	60,3	19	26	53,7	89003	89053-40
80214	UCFL 208		130	93	162	11	60,3	19	26	53,7	89003	89053-40

UCFL Locking collar

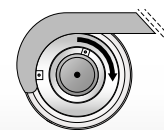
Standard bearings - solid version

Main features:

- Housing in reinforced polypropylene
- Chrome steel ball bearing (pre-lubricated)
- Nickel-plated brass mounting hole spacers
- Nickel plated steel or SS grease nipple with self-forming thread M6
- Stainless steel washers



FIXING METHOD
(ECCENTRIC RING)



LOCKING COLLAR

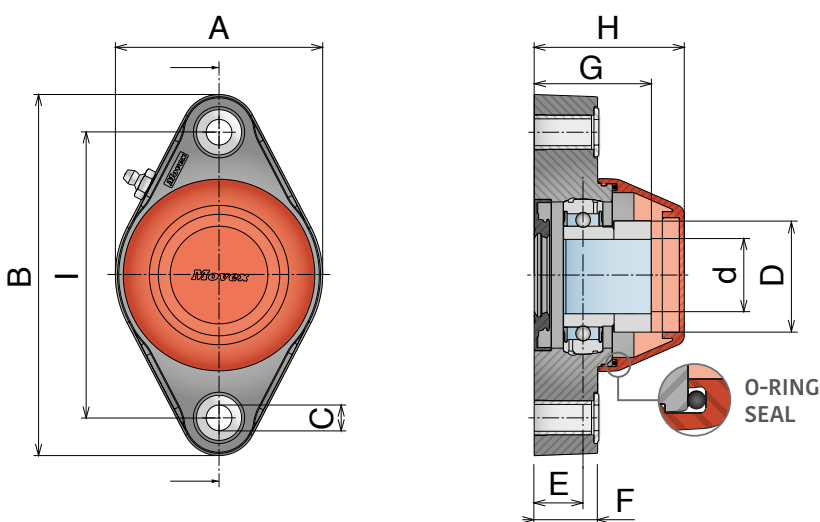
Chrome Steel											Caps (Accessories)	
Article-Number	Series	d	I	A	B	C	D	E	F	G	Close	Open
82305	UCFL 204/76,5	20	76,4	55,9	100	10,2	33,3	16	12	33,5	89004	89054-20
82310	UCFL 204		90	62	116	11	33,3	16	20	39,9	89004	89054-20
82301	UCFL 205/90	25	90	71	130	10,2	38,1	16,8	22,5	36,3	89001	89051-25
82311	UCFL 205		99	71	130	11	38,1	16,8	22,5	40,2	89001	89051-25
82322	UCFL 206/90	30	90	85	116	10,2	44,5	14,4	20	36,5	89005	89055-30
82312	UCFL 206		117	85	148	11	44,5	20	26	47,7	89002	89052-30
82303	UCFL 207/117	35	117	93	148	11	55,6	19,5	26	43	89003	89053-35
82323	UCFL 207/117		117	112	148	11	55,6	19,5	26	43	89003	89053-35
82313	UCFL 207		130	93	162	11	55,6	19,5	26	49,9	89003	89053-35
82304	UCFL 208/117	40	117	93	148	11	60,3	19	26	53,7	89003	89053-40
82324	UCFL 207/117		117	112	148	11	60,3	19	26	53,7	89003	89053-40

UCFL *Locking collar*

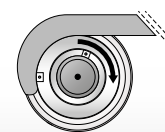
Watertight bearings - reinforced version

Main features:

- Housing in reinforced polyamide
- Chrome steel ball bearing (pre-lubricated)
- Nickel-plated brass mounting hole spacers
- Nickel plated steel or SS grease nipple with self-forming thread M6
- Polypropylene closed cap with O-ring seal
- Stainless steel washers
- NBR bottom seal



FIXING METHOD
(ECCENTRIC RING)



LOCKING COLLAR

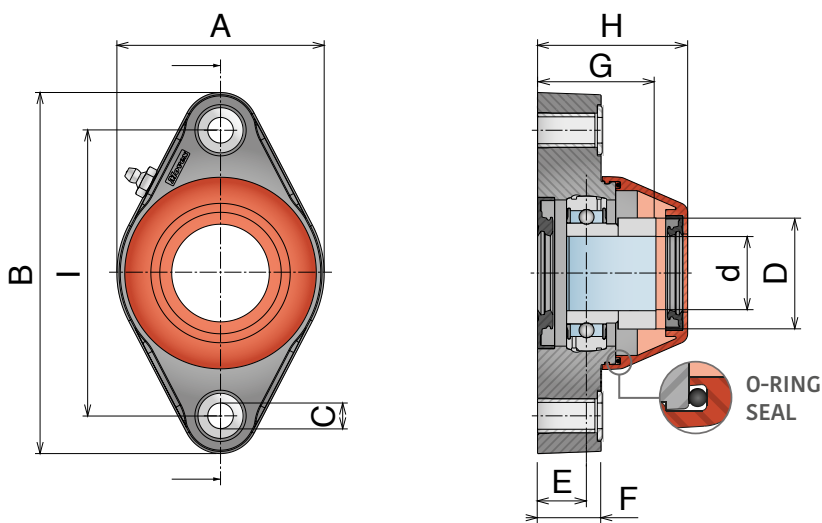
Chrome Steel	Article-Number	Series	d	I	A	B	C	D	E	F	G	H
	80510	UCFL 204	20	90	62	116	11	33,3	16	20	39,9	51,5
	80500	UCFL 204		90	71	130	11	33,3	17,5	22,5	41,4	52
	80521	UCFL 205/90	25	90	85	116	11	38,1	14,5	20	37,9	55,5
	80501	UCFL 205/90		90	71	130	11	38,1	16,8	22,5	40,2	52
	80511	UCFL 205		99	71	130	11	38,1	16,8	22,5	40,2	52
	80522	UCFL 206/90	30	90	85	116	11	44,5	14,5	20	42,2	55,5
	80532	UCFL 206/99		99	85	130	11	44,5	20	26	47,7	61,5
	80502	UCFL 206/99		99	85	148	11	44,5	20	26	47,7	61,5
	80512	UCFL 206		117	85	148	11	44,5	20	26	47,7	61,5
	80503	UCFL 207/117	35	117	93	148	11	55,6	19,5	26	49,9	66,5
	80523	UCFL 207/117		117	112	148	11	55,6	19,5	26	49,9	66,5
	80513	UCFL 207		130	93	162	11	55,6	19,5	26	49,9	66,5
	80504	UCFL 208/117	40	117	93	148	11	60,3	19	26	53,7	66,5
	80524	UCFL 208/117		117	112	148	11	60,3	19	26	53,7	66,5
	80514	UCFL 208		130	93	162	11	60,3	19	26	53,7	66,5

UCFL Locking collar

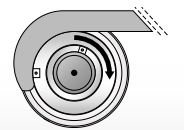
Watertight bearings - reinforced version

Main features:

- Housing in reinforced polyamide
- Chrome steel ball bearing (pre-lubricated)
- Nickel-plated brass mounting hole spacers
- Nickel plated steel or SS grease nipple with self-forming thread M6
- Polypropylene open cap with O-ring seal & NBR top seal
- Stainless steel washers
- NBR bottom seal



FIXING METHOD
(ECCENTRIC RING)



LOCKING COLLAR

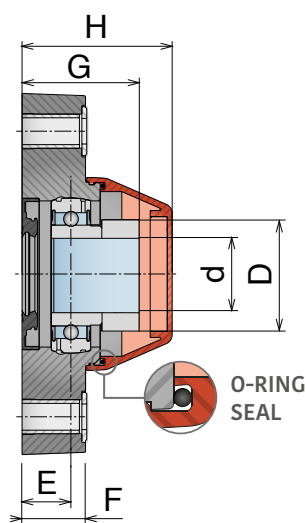
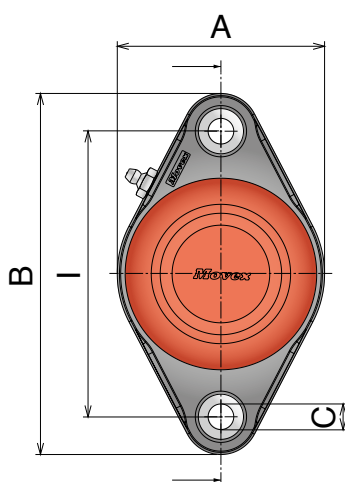
Chrome Steel												
Article-Number	Series	d	I	A	B	C	D	E	F	G	H	
80610	UCFL 204	20	90	62	116	11	33,3	16	20	39,9	51,5	
80600	UCFL 204		90	71	130	11	33,3	17,5	22,5	41,4	52	
80621	UCFL 205/90	25	90	85	116	11	38,1	14,5	20	37,9	55,5	
80601	UCFL 205/90		90	71	130	11	38,1	16,8	22,5	40,2	52	
80611	UCFL 205		99	71	130	11	38,1	16,8	22,5	40,2	52	
80622	UCFL 206/90	30	90	85	116	11	44,5	14,5	20	42,2	55,5	
80632	UCFL 206/99		99	85	130	11	44,5	20	26	47,7	61,5	
80602	UCFL 206/99		99	85	148	11	44,5	20	26	47,7	61,5	
80612	UCFL 206		117	85	148	11	44,5	20	26	47,7	61,5	
80603	UCFL 207/117	35	117	93	148	11	55,6	19,5	26	49,9	66,5	
80623	UCFL 207/117		117	112	148	11	55,6	19,5	26	49,9	66,5	
80613	UCFL 207		130	93	162	11	55,6	19,5	26	49,9	66,5	
80604	UCFL 208/117	40	117	93	148	11	60,3	19	26	53,7	66,5	
80624	UCFL 208/117		117	112	148	11	60,3	19	26	53,7	66,5	
80614	UCFL 208		130	93	162	11	60,3	19	26	53,7	66,5	

UCFL Locking collar

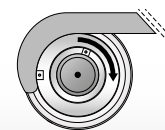
Watertight bearings - solid version

Main features:

- Housing in reinforced polypropylene
- Chrome steel ball bearing (pre-lubricated)
- Nickel-plated brass mounting hole spacers
- Nickel plated steel or SS grease nipple with self-forming thread M6
- Polypropylene closed cap with O-ring seal
- Stainless steel washers
- NBR bottom seal



FIXING METHOD
(ECCENTRIC RING)



LOCKING COLLAR

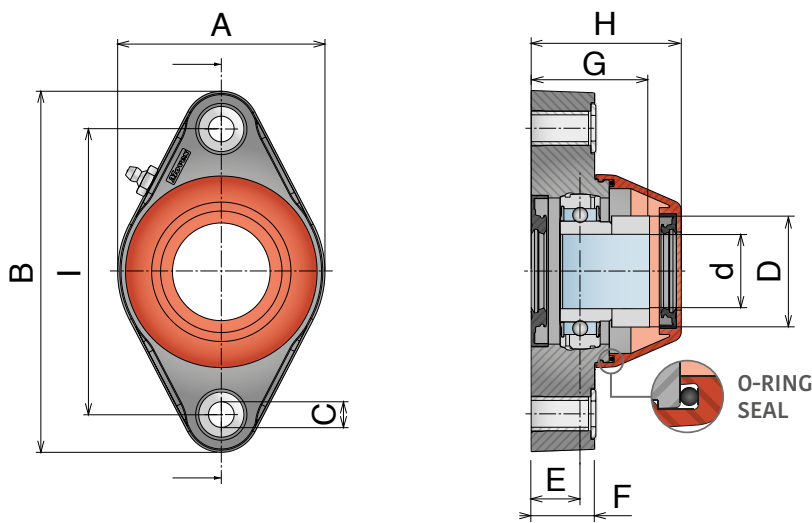
Chrome Steel		Article-Number	Series	d	I	A	B	C	D	E	F	G	H
	82605	UCFL 204/76,5	20	76,5	56	100	10,2	33,3	15,5	12	39,4	49	
	82610	UCFL 204		90	62	116	11	33,3	16	20	39,9	51,5	
	82601	UCFL 205/90	25	90	71	130	10,2	38,1	16,8	22,5	40,2	52	
	82611	UCFL 205		99	71	130	11	38,1	16,8	22,5	40,2	52	
	82622	UCFL 206/90	30	90	85	116	10,2	44,5	14,5	20	42,2	55,5	
	82612	UCFL 206		117	85	148	11	44,5	20	26	47,7	61,5	
	82603	UCFL 207/117	35	117	93	148	11	55,6	19,5	26	49,9	66,5	
	82623	UCFL 207/117		117	112	148	11	55,6	19,5	26	49,9	66,5	
	82613	UCFL 207		130	93	162	11	55,6	19,5	26	49,9	66,5	
	82604	UCFL 208/117	40	117	93	148	11	60,3	19	26	53,7	66,5	
	82624	UCFL 208/117		117	112	148	11	60,3	19	26	53,7	66,5	

UCFL Locking collar

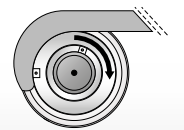
Watertight bearings - solid version

Main features:

- Housing in reinforced polypropylene
- Chrome steel ball bearing (pre-lubricated)
- Nickel-plated brass mounting hole spacers
- Nickel plated steel or SS grease nipple with self-forming thread M6
- Polypropylene open cap with O-ring seal & NBR top seal
- Stainless steel washers
- NBR bottom seal



FIXING METHOD
(ECCENTRIC RING)



LOCKING COLLAR

Chrome Steel												
Article-Number	Series	d	I	A	B	C	D	E	F	G	H	
82705	UCFL 204/76,5	20	76,5	56	100	10,2	33,3	15,5	12	39,4	49	
82710	UCFL 204		90	62	116	11	33,3	16	20	39,9	51,5	
82701	UCFL 205/90	25	90	71	130	10,2	38,1	16,8	22,5	40,2	52	
82711	UCFL 205		99	71	130	11	38,1	16,8	22,5	40,2	52	
82722	UCFL 206/90	30	90	85	116	10,2	44,5	14,5	20	42,2	55,5	
82712	UCFL 206		117	85	148	11	44,5	20	26	47,7	61,5	
82703	UCFL 207/117	35	117	93	148	11	55,6	19,5	26	49,9	66,5	
82723	UCFL 207/117		117	112	148	11	55,6	19,5	26	49,9	66,5	
82713	UCFL 207		130	93	162	11	55,6	19,5	26	49,9	66,5	
82704	UCFL 208/117	40	117	93	148	11	60,3	19	26	53,7	66,5	
82724	UCFL 208/117		117	112	148	11	60,3	19	26	53,7	66,5	

UCF

Delivery: **Easy** **Standard**

UCF standard

WITH GRUB SCREW



REINFORCED VERSION

Page 610

SOLID VERSION

Page 611

UCF watertight

WITH GRUB SCREW



REINFORCED VERSION

Close & open cap page 612/613

SOLID VERSION

Close & open cap page 614/615

UCF standard

WITH LOCKING COLLAR
(eccentric ring)



REINFORCED VERSION

Page 616

SOLID VERSION

Page 617

UCF watertight

WITH LOCKING COLLAR
(eccentric ring)



REINFORCED VERSION

Close & open cap page 618/619

SOLID VERSION

Close & open cap page 620/621

SS ProRun

The **Pro** choice for uncompromising performance.

Manufactured with premium materials to ensure maximum reliability and durability, the new **SS ProRun** bearing insert is the ideal solution for those who need performance, even in the most demanding environments and under the most critical conditions.

- **AISI 440 rings:** Absolute guarantee of precision and robustness.
- **AISI 440 bearings and balls:** Maximum corrosion resistance and longevity.
- **FDA blue NBR seals:** Perfect sealing, protection from contaminants.
- **FDA-certified grease:** Superior lubrication for excellent and long-lasting performance.

Optimize your operations and choose quality that lasts; choose **SS ProRun**.

Browse the catalog and discover the available versions.

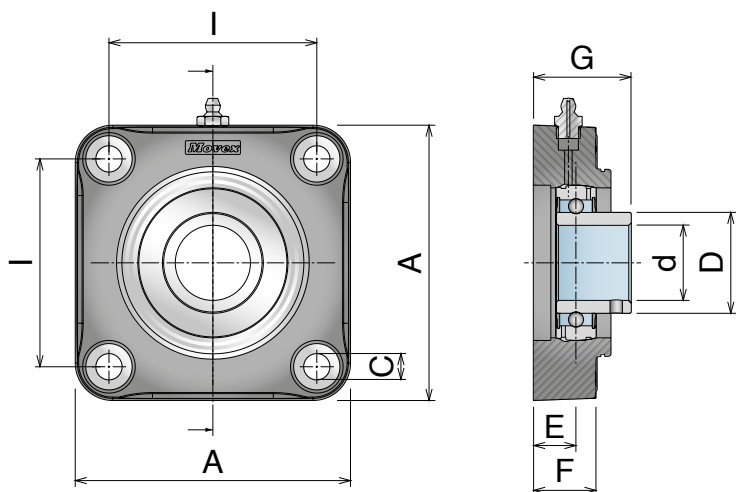


UCF *Grub screw*

Standard bearings - reinforced version

Main features:

- Housing in reinforced polyamide
- Chrome steel or stainless steel ball bearing (pre-lubricated)
- Nickel-plated brass mounting hole spacers
- Nickel plated steel or SS grease nipple with self-forming thread M6
- Stainless steel washers



FIXING METHOD



GRUB SCREW

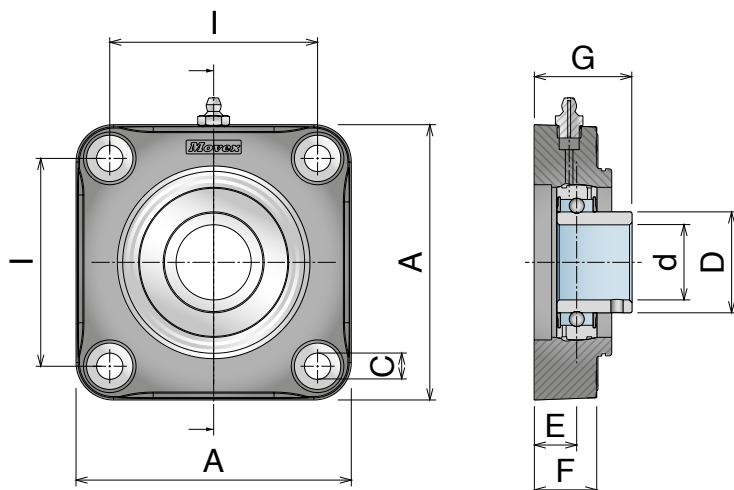
Chrome Steel	Stainless Steel										Caps (Accessories)	
Article-Number	Series	d	I	A	C	D	E	F	G	Close	Open	
80701	80701SS	UCF 205	25	70	98	11	34	16	22	35,5	89001	89051-25
80702	80702SS	UCF 206	30	83	110	11	40,3	17	25	39	89002	89052-30
80703	80703SS	UCF 207/83	35	83	110	11	48	20	25	43,5	89003	89053-35
80713	80713SS	UCF 207		92	118	11	48	20	25	43,5	89003	89053-35
80704	80704SS	UCF 208/83	40	83	110	11	53	19,5	25	44,5	89003	89053-40
80714	80714SS	UCF 208		102	130	11	53	19	25	44	89003	89053-40

UCF *Grub screw*

Standard bearings - solid version

Main features:

- Housing in reinforced polypropylene
- Chrome steel or stainless steel ball bearing (pre-lubricated)
- Nickel-plated brass mounting hole spacers
- Nickel plated steel or SS grease nipple with self-forming thread M6
- Stainless steel washers



FIXING METHOD



GRUB SCREW

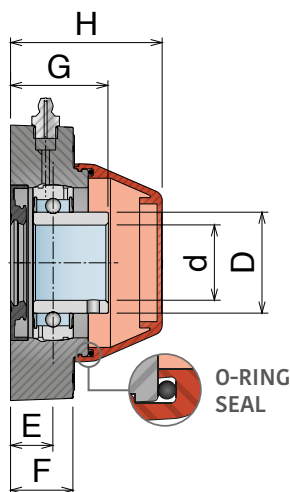
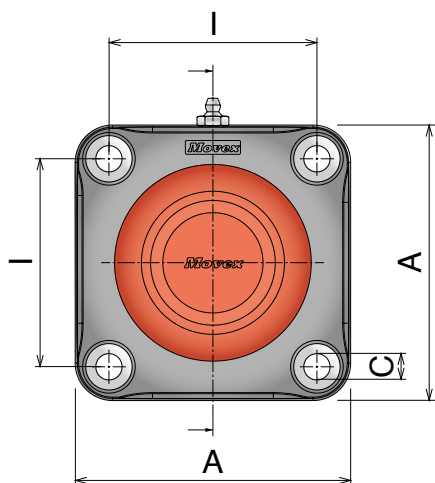
Chrome Steel	Stainless Steel										Caps (Accessories)	
Article-Number	Series	d	I	A	C	D	E	F	G	Close	Open	
82801	82801SS	UCF 205	25	70	98	11	34	16	22	35,5	89001	89051-25
82802	82802SS	UCF 206	30	83	110	11	40,3	17	25	39	89002	89052-30
82813	82813SS	UCF 207	35	92	118	11	48	20	25	43,5	89003	89053-35
82804	82804SS	UCF 208/83	40	83	110	11	53	19,5	25	44,5	89003	89053-40

UCF *Grub screw*

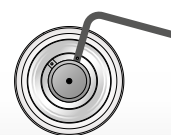
Watertight bearings - reinforced version

Main features:

- Housing in reinforced polyamide
- Chrome steel or stainless steel ball bearing (pre-lubricated)
- Nickel-plated brass mounting hole spacers
- Nickel plated steel or SS grease nipple with self-forming thread M6
- Polypropylene closed cap with O-ring seal
- Stainless steel washers
- NBR bottom seal



FIXING METHOD



GRUB SCREW

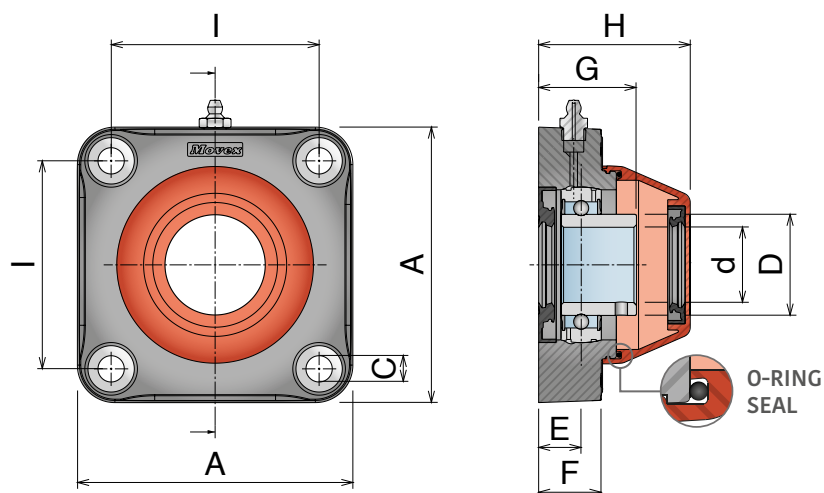
Chrome Steel	Chrome Steel "Long life"	Stainless Steel	Article-Number	Series	d	I	A	C	D	E	F	G	H
	80901L	80901SS		UCF 205	25	70	98	11	34	16	22	35,5	51,5
80901													
	80902L	80902SS		UCF 206	30	83	110	11	40,3	17	25	39	60,5
80902													
	80903L	80903SS		UCF 207/83	35	83	110	11	48	20	25	43,5	65,5
80903				UCF 207		92	118	11	48	20	25	43,5	65,5
80913	80913L	80913SS											
	80904L	80904SS		UCF 208/83	40	83	110	11	53	19,5	25	44,5	65,5
80904				UCF 208		102	130	11	53	19	25	44	65,5
80914	80914L	80914SS											

UCF *Grub screw*

Watertight bearings - reinforced version

Main features:

- Housing in reinforced polyamide
- Chrome steel or stainless steel ball bearing (pre-lubricated)
- Nickel-plated brass mounting hole spacers
- Nickel plated steel or SS grease nipple with self-forming thread M6
- Polypropylene open cap with O-ring seal & NBR top seal
- Stainless steel washers
- NBR bottom seal



FIXING METHOD



GRUB SCREW

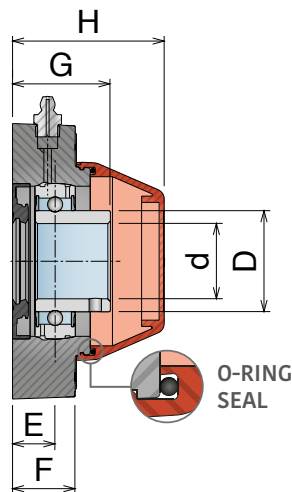
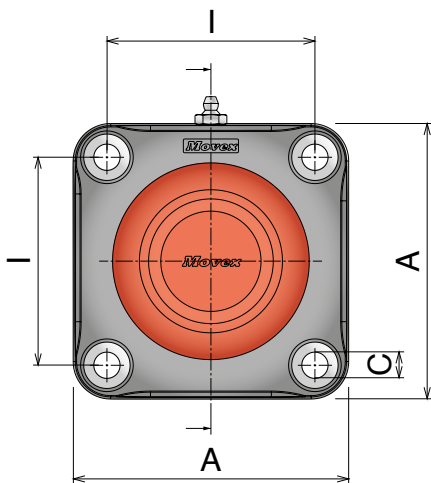
Chrome Steel	Chrome Steel "Long life"	Stainless Steel	Article-Number	Series	d	I	A	C	D	E	F	G	H
81001	81001L	81001SS	UCF 205	UCF 205	25	70	98	11	34	16	22	35,5	51,5
81002	81002L	81002SS	UCF 206	UCF 206	30	83	110	11	40,3	17	25	39	60,5
81003	81003L	81003SS	UCF 207/83	UCF 207/83	35	83	110	11	48	20	25	43,5	65,5
81013	81013L	81013SS	UCF 207	UCF 207		92	118	11	48	20	25	43,5	65,5
81004	81004L	81004SS	UCF 208/83	UCF 208/83	40	83	110	11	53	19,5	25	44,5	65,5
81014	81014L	81014SS	UCF 208	UCF 208		102	130	11	53	19	25	44	65,5

UCF *Grub screw*

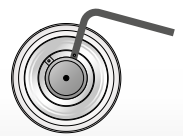
Watertight bearings - solid version

Main features:

- Housing in reinforced polypropylene
- Chrome steel or stainless steel ball bearing (pre-lubricated)
- Nickel-plated brass mounting hole spacers
- Nickel plated steel or SS grease nipple with self-forming thread M6
- Polypropylene closed cap with O-ring seal
- Stainless steel washers
- NBR bottom seal



FIXING METHOD



GRUB SCREW

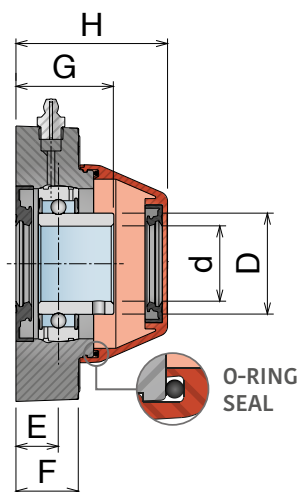
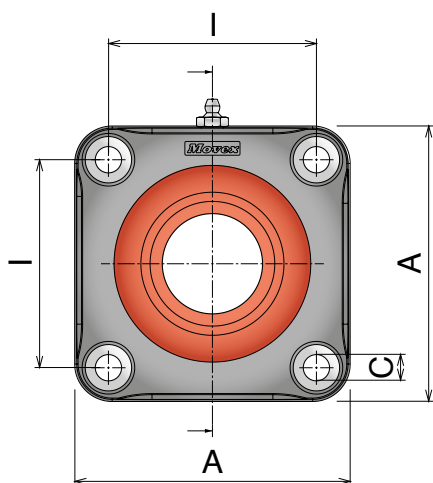
Chrome Steel	Chrome Steel "Long life"	Stainless Steel	SS ProRun	Article-Number	Series	d	I	A	C	D	E	F	G	H
83001	83001L	83001SS	83001LSS	UCF 205	25	70	98	11	34	16	22	35,5	51,5	
83002	83002L	83002SS	83002LSS	UCF 206	30	83	110	11	40,3	17	25	39	60,5	
83013	83013L	83013SS	83013LSS	UCF 207	35	92	118	11	48	20	25	43,5	65,5	
83004	83004L	83004SS	83004LSS	UCF 208/83	40	83	110	11	53	19,5	25	44,5	65,5	

UCF *Grub screw*

Watertight bearings - solid version

Main features:

- Housing in reinforced polypropylene
- Chrome steel or stainless steel ball bearing (pre-lubricated)
- Nickel-plated brass mounting hole spacers
- Nickel plated steel or SS grease nipple with self-forming thread M6
- Polypropylene open cap with O-ring seal & NBR top seal
- Stainless steel washers
- NBR bottom seal



FIXING METHOD



GRUB SCREW

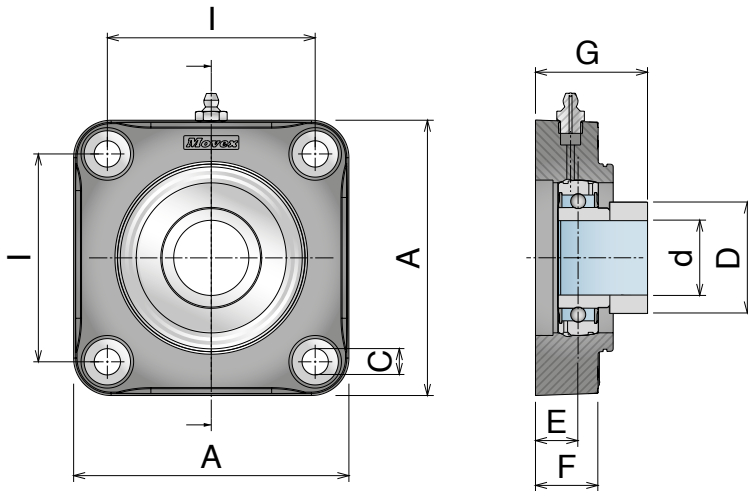
Chrome Steel	Chrome Steel "Long life"	Stainless Steel	SS ProRun	Article-Number	Series	d	I	A	C	D	E	F	G	H
				83101	UCF 205	25	70	98	11	34	16	22	35,5	51,5
				83102	UCF 206	30	83	110	11	40,3	17	25	39	60,5
				83113	UCF 207	35	92	118	11	48	20	25	43,5	65,5
				83104	UCF 208/83	40	83	110	11	53	19,5	25	44,5	65,5

UCF Locking collar

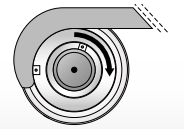
Standard bearings - reinforced version

Main features:

- Housing in reinforced polyamide
- Chrome steel ball bearing (pre-lubricated)
- Nickel-plated brass mounting hole spacers
- Nickel plated steel or SS grease nipple with self-forming thread M6
- Stainless steel washers



FIXING METHOD
(ECCENTRIC RING)



LOCKING COLLAR

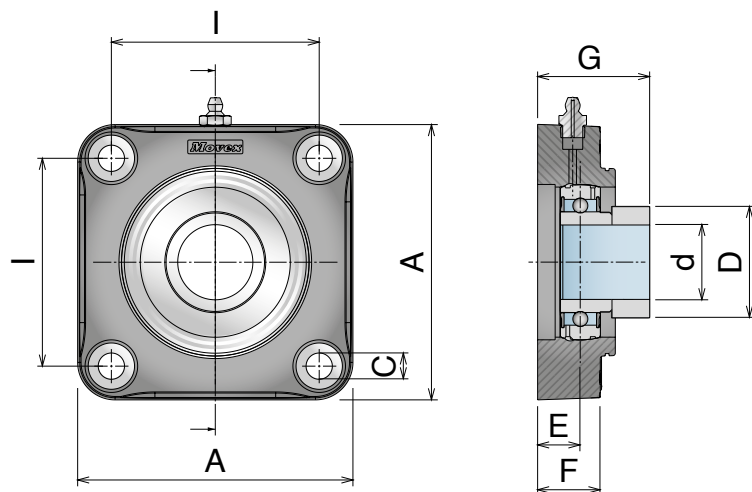
Chrome Steel										Caps (Accessories)	
Article-Number	Series	d	I	A	C	D	E	F	G	Close	Open
80801	UCF 205	25	70	98	11	38,1	16	22	39,4	89001	89051-25
80802	UCF 206	30	83	110	11	44,5	17	25	44,7	89002	89052-30
80803	UCF 207/83	35	83	110	11	55,6	20	25	50,4	89003	89053-35
80813	UCF 207		92	118	11	55,6	20	25	50,4	89003	89053-35
80804	UCF 208/83	40	83	110	11	60,3	19,5	25	54,2	89003	89053-40
80814	UCF 208		102	130	11	60,3	19	25	53,7	89003	89053-40

UCF Locking collar

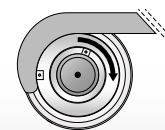
Standard bearings - solid version

Main features:

- Housing in reinforced polypropylene
- Chrome steel ball bearing (pre-lubricated)
- Nickel-plated brass mounting hole spacers
- Nickel plated steel or SS grease nipple with self-forming thread M6
- Stainless steel washers



FIXING METHOD
(ECCENTRIC RING)



LOCKING COLLAR

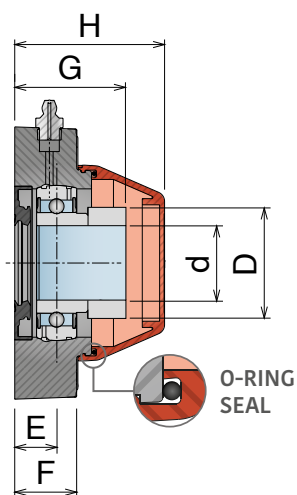
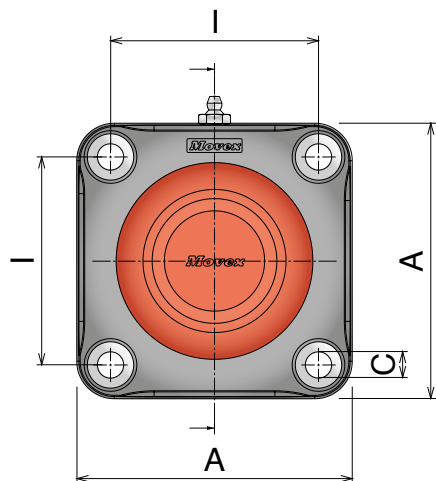
Chrome Steel										Caps (Accessories)	
Article-Number	Series	d	I	A	C	D	E	F	G	Close	Open
82901	UCF 205	25	70	98	11	38,1	16	22	39,4	89001	89051-25
82902	UCF 206	30	83	110	11	44,5	17	25	44,7	89002	89052-30
82913	UCF 207	35	92	118	11	55,6	20	25	50,4	89003	89053-35
82904	UCF 208/83	40	83	110	11	60,3	19,5	25	54,2	89003	89053-40

UCF Locking collar

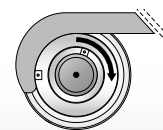
Watertight bearings - reinforced version

Main features:

- Housing in reinforced polyamide
- Chrome steel ball bearing (pre-lubricated)
- Nickel-plated brass mounting hole spacers
- Nickel plated steel or SS grease nipple with self-forming thread M6
- Polypropylene closed cap with O-ring seal
- Stainless steel washers
- NBR bottom seal



FIXING METHOD
(ECCENTRIC RING)



LOCKING COLLAR

Chrome Steel

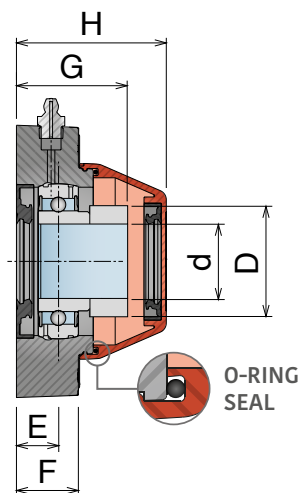
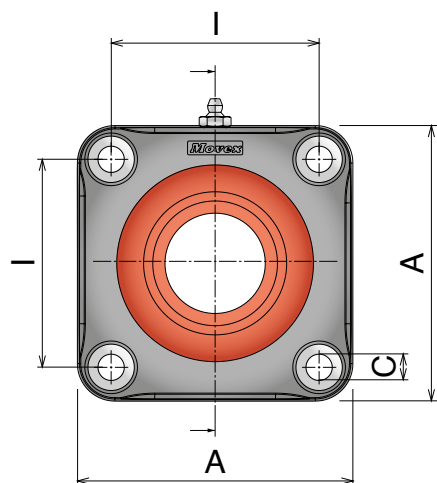
Article-Number	Series	d	I	A	C	D	E	F	G	H
81101	UCF 205	25	70	98	11	38,1	16	22	39,4	51,5
81102	UCF 206	30	83	110	11	44,5	17	25	44,7	60,5
81103	UCF 207/83	35	83	110	11	55,6	20	25	50,4	65,5
81113	UCF 207		92	118	11	55,6	20	25	50,4	65,5
81104	UCF 208/83	40	83	110	11	60,3	19,5	25	54,2	65,5
81114	UCF 208		102	130	11	60,3	19	25	53,7	65,5

UCF Locking collar

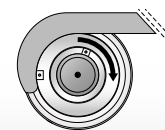
Watertight bearings - reinforced version

Main features:

- Housing in reinforced polyamide
- Chrome steel ball bearing (pre-lubricated)
- Nickel-plated brass mounting hole spacers
- Nickel plated steel or SS grease nipple with self-forming thread M6
- Polypropylene open cap with O-ring seal & NBR top seal
- Stainless steel washers
- NBR bottom seal



FIXING METHOD
(ECCENTRIC RING)



LOCKING COLLAR

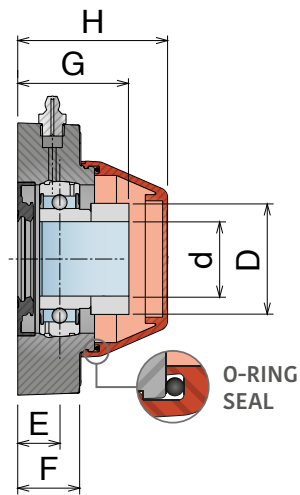
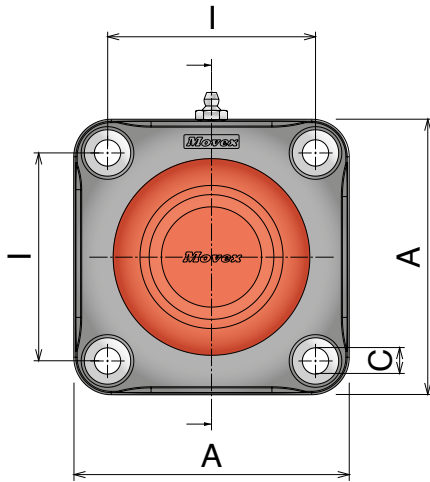
Chrome Steel										
Article-Number	Series	d	I	A	C	D	E	F	G	H
81201	UCF 205	25	70	98	11	38,1	16	22	39,4	51,5
81202	UCF 206	30	83	110	11	44,5	17	25	44,7	60,5
81203	UCF 207/83	35	83	110	11	55,6	20	25	50,4	65,5
81213	UCF 207		92	118	11	55,6	20	25	50,4	65,5
81204	UCF 208/83	40	83	110	11	60,3	19,5	25	54,2	65,5
81214	UCF 208		102	130	11	60,3	19	25	53,7	65,5

UCF Locking collar

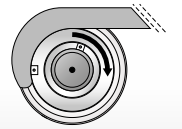
Watertight bearings - solid version

Main features:

- Housing in reinforced polypropylene
- Chrome steel ball bearing (pre-lubricated)
- Nickel-plated brass mounting hole spacers
- Nickel plated steel or SS grease nipple with self-forming thread M6
- Polypropylene closed cap with O-ring seal
- Stainless steel washers
- NBR bottom seal



FIXING METHOD
(ECCENTRIC RING)



LOCKING COLLAR

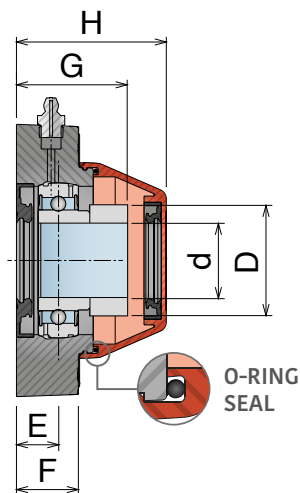
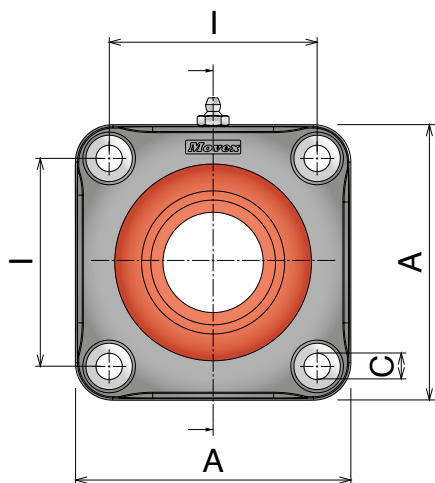
Chrome Steel										
Article-Number	Series	d	I	A	C	D	E	F	G	H
83201	UCF 205	25	70	98	11	38,1	16	22	39,4	51,5
83202	UCF 206	30	83	110	11	44,5	17	25	44,7	60,5
83213	UCF 207	35	92	118	11	55,6	20	25	50,4	65,5
83204	UCF 208/83	40	83	110	11	60,3	19,5	25	54,2	65,5

UCF Locking collar

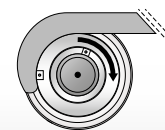
Watertight bearings - solid version

Main features:

- Housing in reinforced polypropylene
- Chrome steel ball bearing (pre-lubricated)
- Nickel-plated brass mounting hole spacers
- Nickel plated steel or SS grease nipple with self-forming thread M6
- Polypropylene open cap with O-ring seal & NBR top seal
- Stainless steel washers
- NBR bottom seal



FIXING METHOD
(ECCENTRIC RING)



LOCKING COLLAR

Chrome Steel	Article-Number	Series	d	I	A	C	D	E	F	G	H
	83301	UCF 205	25	70	98	11	38,1	16	22	39,4	51,5
	83302	UCF 206	30	83	110	11	44,5	17	25	44,7	60,5
	83313	UCF 207	35	92	118	11	55,6	20	25	50,4	65,5
	83304	UCF 208/83	40	83	110	11	60,3	19,5	25	54,2	65,5

UCFA

Delivery: **Easy** Standard

UCFA standard

WITH GRUB SCREW



SOLID VERSION

Page 623

UCFA watertight

WITH GRUB SCREW



SOLID VERSION

Close cap page 624

SOLID VERSION

Open cap page 625

UCFA standard

WITH LOCKING COLLAR
(eccentric ring)



SOLID VERSION

Page 626

UCFA watertight

WITH LOCKING COLLAR
(eccentric ring)



SOLID VERSION

Close cap page 627

SOLID VERSION

Open cap page 628

SS ProRun

The **Pro** choice for uncompromising performance.

Manufactured with premium materials to ensure maximum reliability and durability, the new **SS ProRun** bearing insert is the ideal solution for those who need performance, even in the most demanding environments and under the most critical conditions.

- **AISI 440 rings:** Absolute guarantee of precision and robustness.
- **AISI 440 bearings and balls:** Maximum corrosion resistance and longevity.
- **FDA blue NBR seals:** Perfect sealing, protection from contaminants.
- **FDA-certified grease:** Superior lubrication for excellent and long-lasting performance.

Optimize your operations and choose quality that lasts; choose **SS ProRun**.

Browse the catalog and discover the available versions.



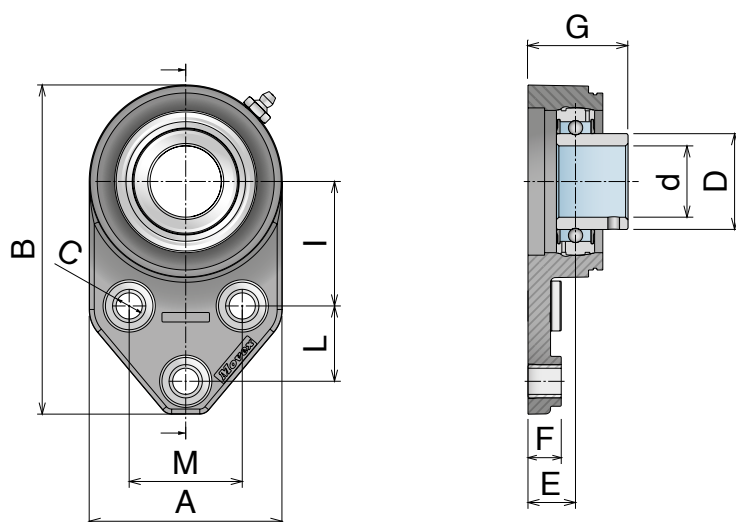
NEW

UCFA *Grub screw*

Standard bearings - solid version

Main features:

- Housing in reinforced polyamide
- Chrome steel or stainless steel ball bearing (pre-lubricated)
- Nickel-plated brass mounting hole spacers
- Nickel plated steel or SS grease nipple with self-forming thread M6
- Stainless steel washers



FIXING METHOD



GRUB SCREW

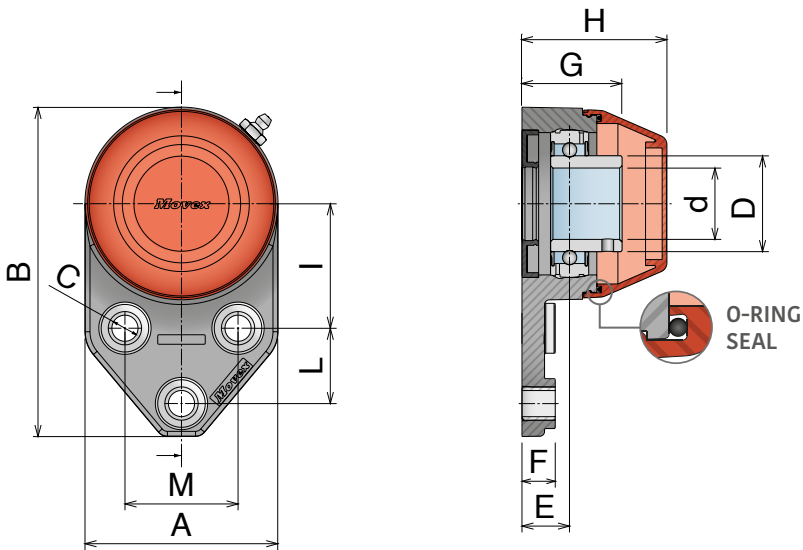
Chrome Steel		Stainless Steel												Caps (Accessories)	
Article-Number	Series	d	I	A	B	C	D	E	F	G	L	M	Close	Open	
83400	83400SS	UCFA 204	20	46	68,8	124,2	11	29	16,4	14	34,4	28,6	41,3	89001	89051-20
83401	83401SS	UCFA 205	25	46	68,8	124,2	11	34	17,8	14	37,3	28,6	41,3	89001	89051-25
83402	83402SS	UCFA 206	30	52,4	81,3	138,6	11	40,3	20	14	42	31,7	47,6	89002	89052-30

UCFA *Grub screw*

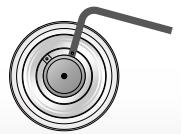
Watertight bearings - solid version

Main features:

- Housing in reinforced polypropylene
- Chrome steel or stainless steel ball bearing (pre-lubricated)
- Nickel-plated brass mounting hole spacers
- Nickel plated steel or SS grease nipple with self-forming thread M6
- Polypropylene close cap with O-ring seal
- Stainless steel washers
- NBR bottom seal



FIXING METHOD



GRUB SCREW

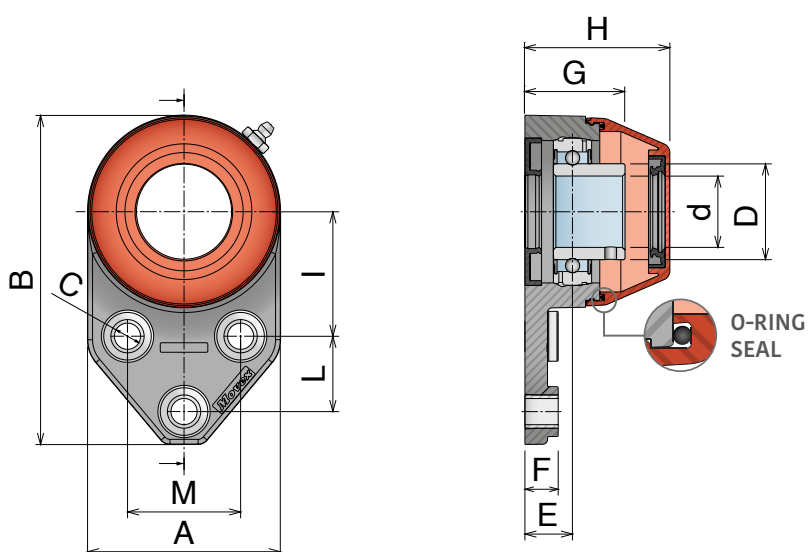
Chrome Steel	Chrome Steel "Long life"	Stainless Steel	SS ProRun													
Article-Number				Series	d	I	A	B	C	D	E	F	G	H	L	M
83600	83600L	83600SS	83600LSS	UCFA 204	20	46	68,8	124,2	11	29	16,4	14	34,4	51,8	28,6	41,3
83601	83601L	83601SS	83601LSS	UCFA 205	25	46	68,8	124,2	11	34	17,8	14	37,3	51,8	28,6	41,3
83602	83602L	83602SS	83602LSS	UCFA 206	30	52,4	81,3	138,6	11	40,3	20	14	42	61	31,7	47,6

UCFA *Grub screw*

Watertight bearings - solid version

Main features:

- Housing in reinforced polyamide
- Chrome steel or stainless steel ball bearing (pre-lubricated)
- Nickel-plated brass mounting hole spacers
- Nickel plated steel or SS grease nipple with self-forming thread M6
- Polypropylene open cap with O-ring seal & NBR top seal
- Stainless steel washers
- NBR bottom seal



FIXING METHOD



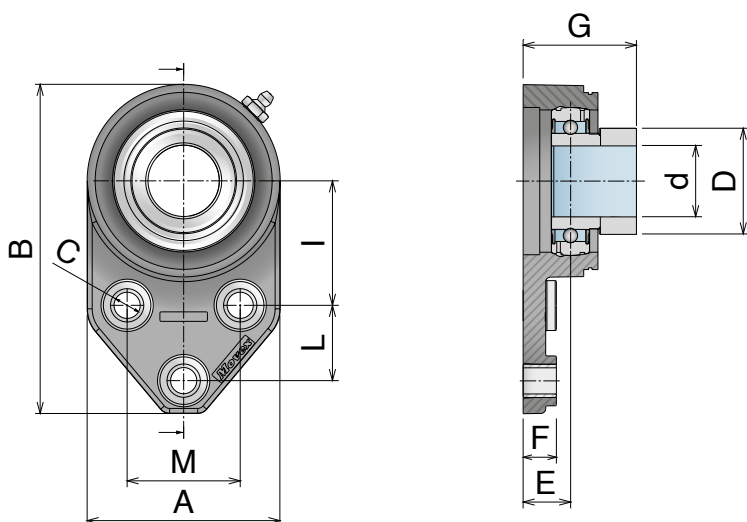
Chrome Steel	Chrome Steel "Long life"	Stainless Steel	SS ProRun													
Article-Number				Series	d	I	A	B	C	D	E	F	G	H	L	M
83700	83700L	83700SS	83700LSS	UCFA 204	20	46	68,8	124,2	11	29	16,4	14	34,4	51,8	28,6	41,3
83701	83701L	83701SS	83701LSS	UCFA 205	25	46	68,8	124,2	11	34	17,8	14	37,3	51,8	28,6	41,3
83702	83702L	83702SS	83702LSS	UCFA 206	30	52,4	81,3	138,6	11	40,3	20	14	42	61	31,7	47,6

UCFA *Locking collar*

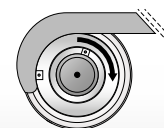
Standard bearings - solid version

Main features:

- Housing in reinforced polypropylene
- Chrome steel ball bearing (pre-lubricated)
- Nickel-plated brass mounting hole spacers
- Nickel plated steel or SS grease nipple with self-forming thread M6
- Stainless steel washers



FIXING METHOD
(ECCENTRIC RING)



LOCKING COLLAR

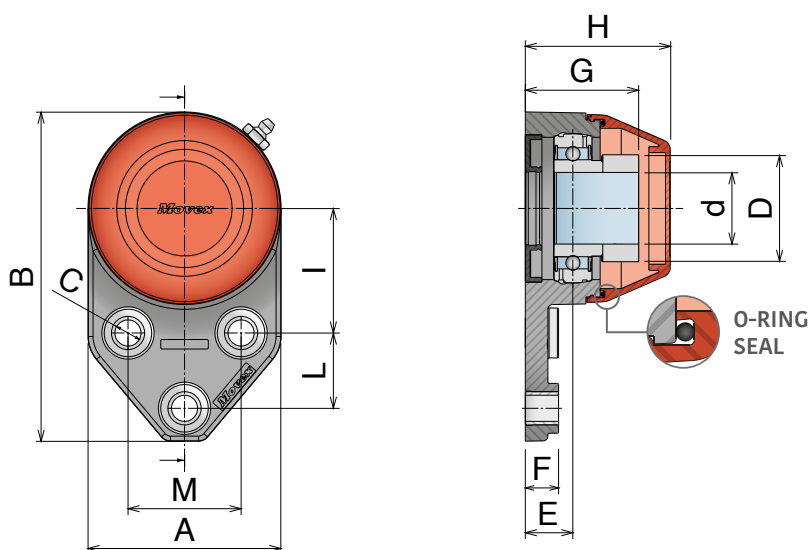
Chrome Steel												Caps (Accessories)		
Article-Number	Series	d	I	A	B	C	D	E	F	G	L	M	Close	Open
83500	UCFA 204	20	46	68,8	124,2	11	33,3	16,4	14	40,3	28,6	41,3	89001	89051-20
83501	UCFA 205	25	46	68,8	124,2	11	38,1	17,8	14	41,2	28,6	41,3	89001	89051-25
83502	UCFA 206	30	52,4	81,3	138,6	11	44,5	20	14	47,7	31,7	47,6	89002	89052-30

UCFA Locking collar

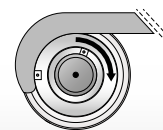
Watertight bearings - solid version

Main features:

- Housing in reinforced polypropylene
- Chrome steel ball bearing (pre-lubricated)
- Nickel-plated brass mounting hole spacers
- Nickel plated steel or SS grease nipple with self-forming thread M6
- Polypropylene closed cap with O-ring seal
- Stainless steel washers
- NBR bottom seal



FIXING METHOD
(ECCENTRIC RING)



LOCKING COLLAR

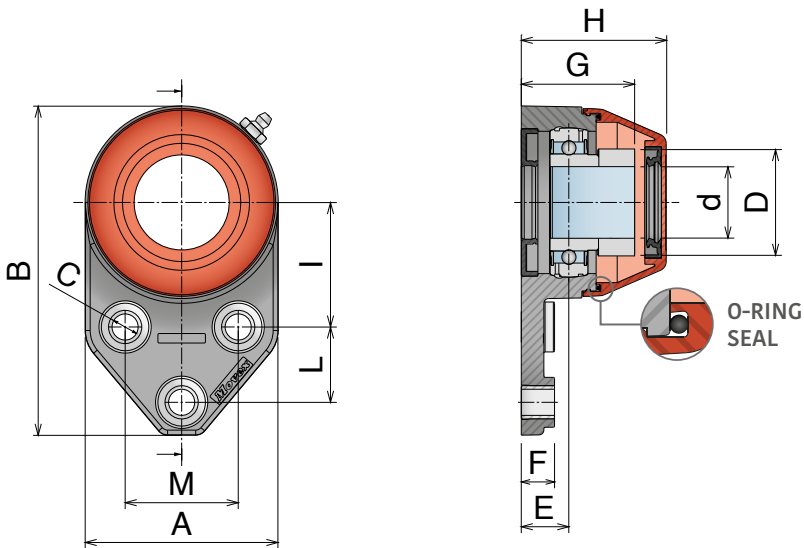
Chrome Steel		Article-Number	Series	d	I	A	B	C	D	E	F	G	H	L	M
	83800	UCFA 204	20	46	68,8	124,2	11	33,3	16,4	14	40,3	51,8	28,6	41,3	
	83801	UCFA 205	25	46	68,8	124,2	11	38,1	17,8	14	41,2	51,8	28,6	41,3	
	83802	UCFA 206	30	52,4	81,3	138,6	11	44,5	20	14	47,7	61	31,7	47,6	

UCFA Locking collar

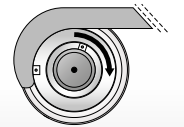
Watertight bearings - solid version

Main features:

- Housing in reinforced polypropylene
- Chrome steel ball bearing (pre-lubricated)
- Nickel-plated brass mounting hole spacers
- Nickel plated steel or SS grease nipple with self-forming thread M6
- Polypropylene open cap with O-ring seal & NBR top seal
- Stainless steel washers
- NBR bottom seal



FIXING METHOD
(ECCENTRIC RING)



LOCKING COLLAR

Chrome Steel

Article-Number	Series	d	I	A	B	C	D	E	F	G	H	L	M
83900	UCFA 204	20	46	68,8	124,2	11	33,3	16,4	14	40,3	51,8	28,6	41,3
83901	UCFA 205	25	46	68,8	124,2	11	38,1	17,8	14	41,2	51,8	28,6	41,3
83902	UCFA 206	30	52,4	81,3	138,6	11	44,5	20	14	47,7	61	31,7	47,6

UCFL-H / UCF-H

Delivery: **Easy** Standard

UCFL-H watertight

WITH GRUB SCREW



SOLID VERSION

Close cap page 630



SOLID VERSION

Open cap page 631

UCFL-H watertight

WITH LOCKING COLLAR
(eccentric ring)



SOLID VERSION

Close cap page 632



SOLID VERSION

Open cap page 633

UCF-H watertight

WITH GRUB SCREW



SOLID VERSION

Close cap page 634



SOLID VERSION

Open cap page 635

UCF-H watertight

WITH LOCKING COLLAR
(eccentric ring)



SOLID VERSION

Close cap page 636



SOLID VERSION

Open cap page 637

SS ProRun

The **Pro** choice for uncompromising performance.

Manufactured with premium materials to ensure maximum reliability and durability, the new **SS ProRun** bearing insert is the ideal solution for those who need performance, even in the most demanding environments and under the most critical conditions.

- **AISI 440 rings:** Absolute guarantee of precision and robustness.
- **AISI 440 bearings and balls:** Maximum corrosion resistance and longevity.
- **FDA blue NBR seals:** Perfect sealing, protection from contaminants.
- **FDA-certified grease:** Superior lubrication for excellent and long-lasting performance.

Optimize your operations and choose quality that lasts; choose **SS ProRun**.

Browse the catalog and discover the available versions.

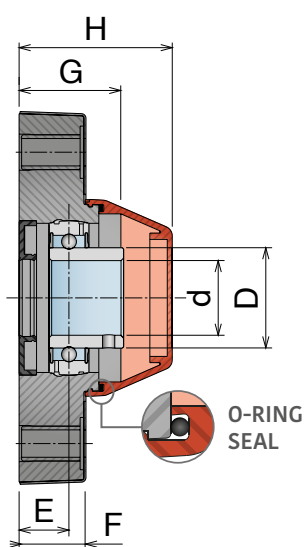
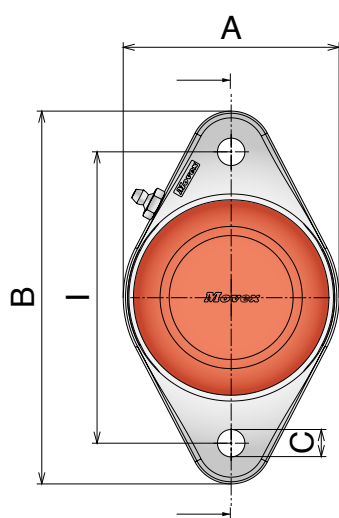


UCFL-H *Grub screw*

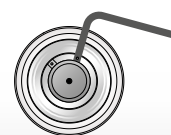
Watertight bearings - solid version

Main features:

- Housing in reinforced polypropylene & cover in SS
- Chrome steel or stainless steel ball bearing (pre-lubricated)
- Nickel-plated brass mounting hole spacers
- Nickel plated steel or SS grease nipple with self-forming thread M6
- Polypropylene close cap with O-ring seal
- NBR bottom seal



FIXING METHOD



GRUB SCREW

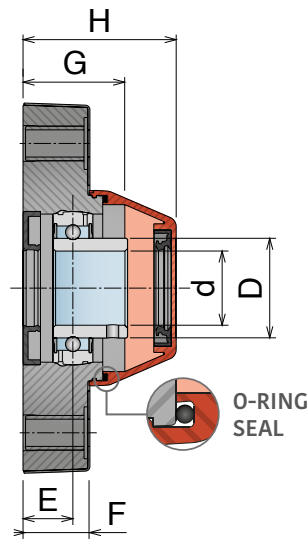
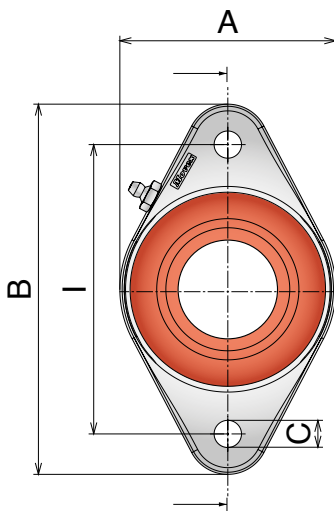
Chrome Steel	Chrome Steel "Long life"	Article-Number	Series	d	I	A	B	C	D	E	F	G	H	
		82412H	82412LH	UCFL-H 206	30	117	86,7	149,7	11	40,3	20	26,85	42	61,5
		82403H	82403LH	UCFL-H 207/117	35	117	94,7	149,7	11	48	19,5	26	43	66,5
		82404H	82404LH	UCFL-H 208/117	40	117	94,7	149,7	11	53	19	26,85	44	67

UCFL-H *Grub screw*

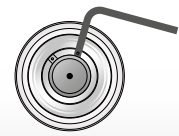
Watertight bearings - solid version

Main features:

- Housing in reinforced polypropylene & cover in SS
- Chrome steel or stainless steel ball bearing (pre-lubricated)
- Nickel-plated brass mounting hole spacers
- Nickel plated steel or SS grease nipple with self-forming thread M6
- Polypropylene open cap with O-ring seal & NBR top seal
- NBR bottom seal



FIXING METHOD



GRUB SCREW

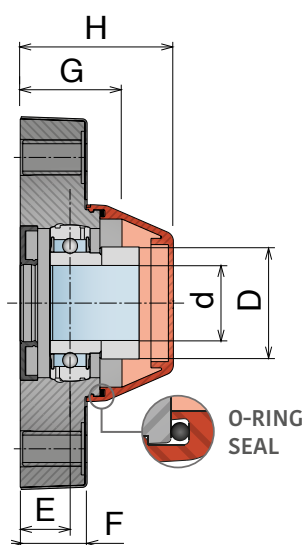
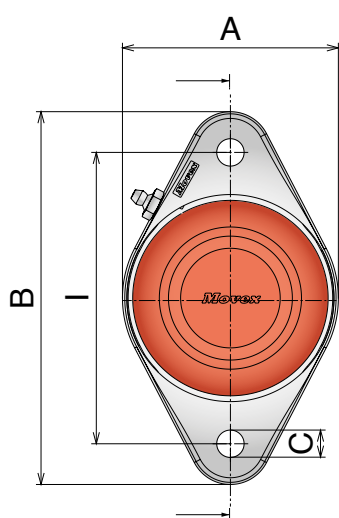
Chrome Steel		Chrome Steel "Long life"										
Article-Number		Series	d	I	A	B	C	D	E	F	G	H
82512H	82512LH	UCFL-H 206	30	117	86,7	149,7	11	40,3	20	26,85	42	61,5
82503H	82503LH	UCFL-H 207/117	35	117	94,7	149,7	11	48	19,5	26	43	66,5
82504H	82504LH	UCFL-H 208/117	40	117	94,7	149,7	11	53	19	26,85	44	67

UCFL-H Locking collar

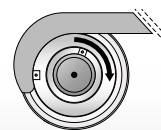
Watertight bearings - solid version

Main features:

- Housing in reinforced polypropylene & cover in SS
- Chrome steel ball bearing (pre-lubricated)
- Nickel-plated brass mounting hole spacers
- Nickel plated steel or SS grease nipple with self-forming thread M6
- Polypropylene close cap with O-ring seal
- NBR bottom seal



FIXING METHOD
(ECCENTRIC RING)



LOCKING COLLAR

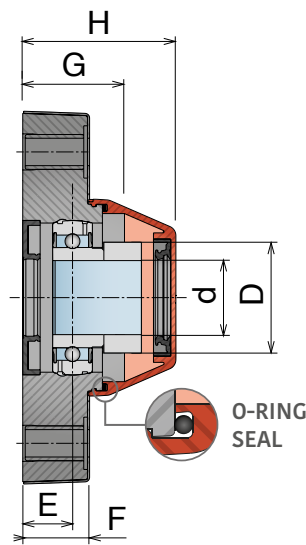
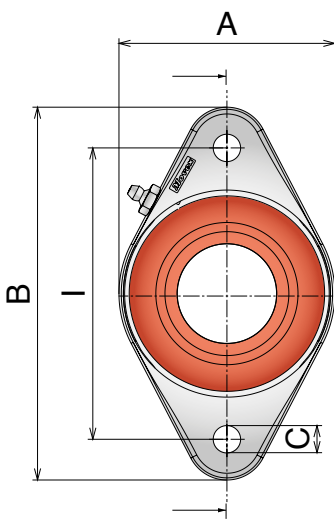
Chrome Steel		Article-Number	Series	d	I	A	B	C	D	E	F	G	H
		82612H	UCFL-H 206	30	117	86,7	149,7	11	40,3	20	26,85	42	61,5
		82603H	UCFL-H 207/117	35	117	94,7	149,7	11	48	19,5	26	43	66,5
		82604H	UCFL-H 208/117	40	117	94,7	149,7	11	53	19	26,85	44	67

UCFL-H *Locking collar*

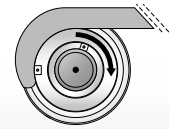
Watertight bearings - solid version

Main features:

- Housing in reinforced polypropylene & cover in SS
- Chrome steel ball bearing (pre-lubricated)
- Nickel-plated brass mounting hole spacers
- Nickel plated steel or SS grease nipple with self-forming thread M6
- Polypropylene open cap with O-ring seal & NBR top seal
- NBR bottom seal



FIXING METHOD
(ECCENTRIC RING)



LOCKING COLLAR

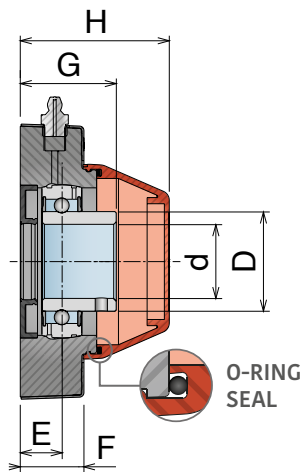
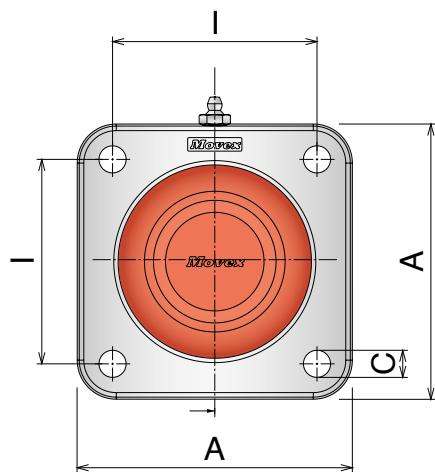
Chrome Steel		Article-Number	Series	d	I	A	B	C	D	E	F	G	H
		82712H	UCFL-H 206	30	117	86,7	149,7	11	40,3	20	26,85	42	61,5
		82703H	UCFL-H 207/117	35	117	94,7	149,7	11	48	19,5	26	43	66,5
		82704H	UCFL-H 208/117	40	117	94,7	149,7	11	53	19	26,85	44	67

UCF-H *Grub screw*

Watertight bearings - solid version

Main features:

- Housing in reinforced polypropylene & cover in SS
- Chrome steel or stainless steel ball bearing (pre-lubricated)
- Nickel-plated brass mounting hole spacers
- Nickel plated steel or SS grease nipple with self-forming thread M6
- Polypropylene close cap with O-ring seal
- NBR bottom seal



FIXING METHOD



GRUB SCREW

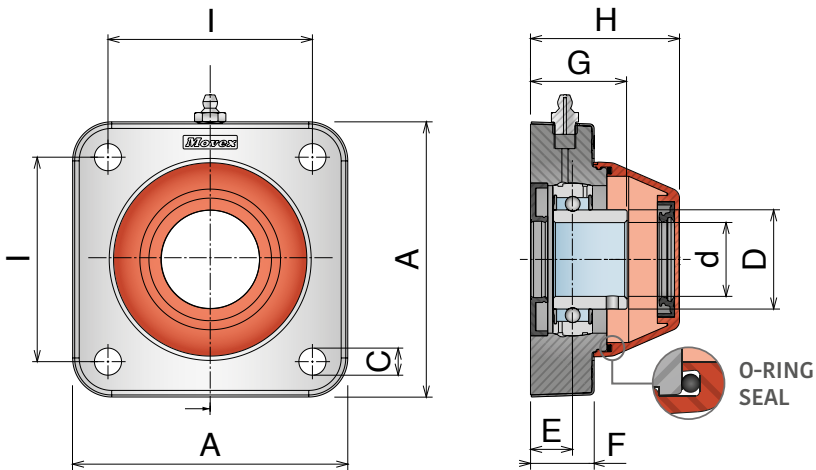
Chrome Steel		Chrome Steel "Long life"									
Article-Number		Series	d	I	A	C	D	E	F	G	H
83002H	83002LH	UCF-H 206	30	83	111,7	11	40,3	17	25	39	60,5
83004H	83004LH	UCF-H 208/83	40	83	111,7	11	53	19,5	25	44,5	65,5

UCF-H *Grub screw*

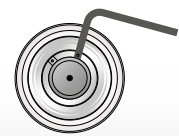
Watertight bearings - solid version

Main features:

- Housing in reinforced polypropylene & cover in SS
- Chrome steel or stainless steel ball bearing (pre-lubricated)
- Nickel-plated brass mounting hole spacers
- Nickel plated steel or SS grease nipple with self-forming thread M6
- Polypropylene open cap with O-ring seal & NBR top seal
- NBR bottom seal



FIXING METHOD



GRUB SCREW

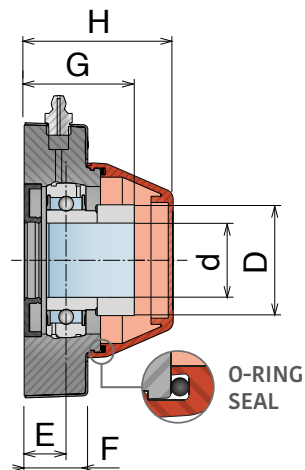
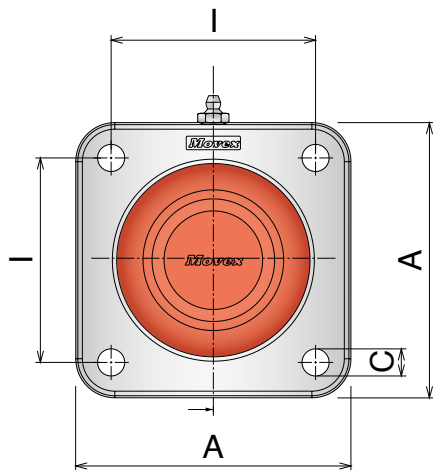
Chrome Steel		Chrome Steel "Long life"									
Article-Number		Series	d	I	A	C	D	E	F	G	H
83102H	83102LH	UCF-H 206	30	83	111,7	11	40,3	17	25	39	60,5
83104H	83104LH	UCF-H 208/83	40	83	111,7	11	53	19,5	25	44,5	65,5

UCF-H Locking collar

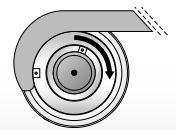
Watertight bearings - solid version

Main features:

- Housing in reinforced polypropylene & cover in SS
- Chrome steel ball bearing (pre-lubricated)
- Nickel-plated brass mounting hole spacers
- Nickel plated steel or SS grease nipple with self-forming thread M6
- Polypropylene close cap with O-ring seal
- NBR bottom seal



FIXING METHOD
(ECCENTRIC RING)



LOCKING COLLAR

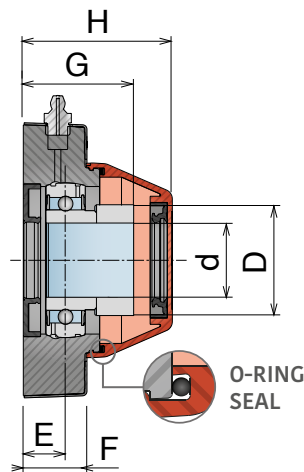
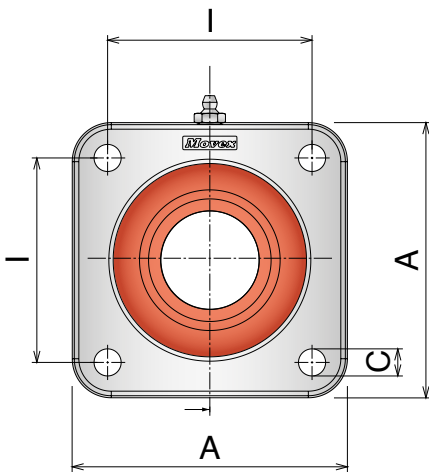
Chrome Steel										
Article-Number	Series	d	I	A	C	D	E	F	G	H
83202H	UCF-H 206	30	83	111,7	11	40,3	17	25	39	60,5
83204H	UCF-H 208/83	40	83	111,7	11	53	19,5	25	44,5	65,5

UCF-H Locking collar

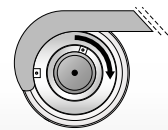
Watertight bearings - solid version

Main features:

- Housing in reinforced polypropylene & cover in SS
- Chrome steel ball bearing (pre-lubricated)
- Nickel-plated brass mounting hole spacers
- Nickel plated steel or SS grease nipple with self-forming thread M6
- Polypropylene open cap with O-ring seal & NBR top seal
- NBR bottom seal



FIXING METHOD
(ECCENTRIC RING)



LOCKING COLLAR

Chrome Steel		Article-Number	Series	d	I	A	C	D	E	F	G	H
		83302H	UCF-H 206	30	83	111,7	11	40,3	17	25	39	60,5
		83304H	UCF-H 208/83	40	83	111,7	11	53	19,5	25	44,5	65,5

CL

Delivery: **Easy** Standard

CL watertight

WITH GRUB SCREW



SOLID VERSION
Close cap page 639



SOLID VERSION
Open cap page 640

CL watertight

WITH LOCKING COLLAR
(eccentric ring)



SOLID VERSION
Close cap page 641



SOLID VERSION
Open cap page 642

CL standard

WITH LOCKING COLLAR - **COMPACT**
(eccentric ring)



STANDARD VERSION
Page 643



CL watertight

WITH LOCKING COLLAR - **COMPACT**
(eccentric ring)



SOLID VERSION
Close cap page 644



SOLID VERSION
Open cap page 645

SS ProRun

The **Pro** choice for uncompromising performance.

Manufactured with premium materials to ensure maximum reliability and durability, the new **SS ProRun** bearing insert is the ideal solution for those who need performance, even in the most demanding environments and under the most critical conditions.

- **AISI 440 rings:** Absolute guarantee of precision and robustness.
- **AISI 440 bearings and balls:** Maximum corrosion resistance and longevity.
- **FDA blue NBR seals:** Perfect sealing, protection from contaminants.
- **FDA-certified grease:** Superior lubrication for excellent and long-lasting performance.

Optimize your operations and choose quality that lasts; choose **SS ProRun**.

Browse the catalog and discover the available versions.

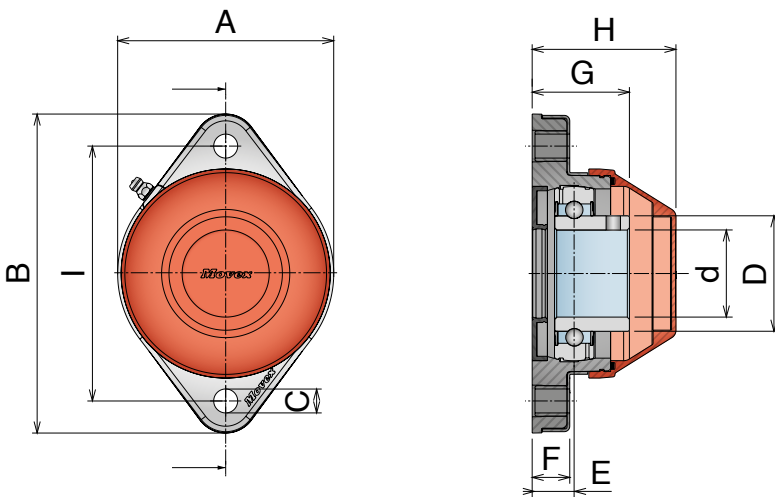


CL Grub screw

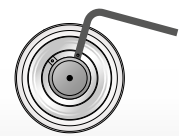
Watertight bearings - solid version

Main features:

- Housing in reinforced polypropylene & cover in SS
- Chrome steel or stainless steel ball bearing (pre-lubricated)
- Nickel-plated brass mounting hole spacers
- Nickel plated steel or SS grease nipple with self-forming thread M6
- Polypropylene close cap with O-ring seal
- NBR bottom seal



FIXING METHOD



GRUB SCREW

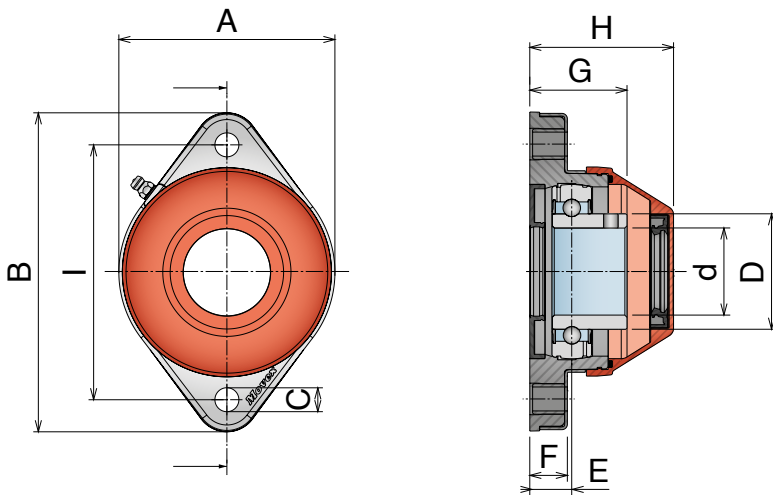
Chrome Steel	Chrome Steel "Long life"	Stainless Steel	SS ProRun											
Article-Number				Series	d	I	A	B	C	D	E	F	G	H
84502	84502L	84502SS	84502LSS	CL 206	30	117	99	146,5	11	40	18,5	16,5	40	69
84503	84503L	84503SS	84503LSS	CL 207	35	117	99	146,5	11	48	18,5	16,5	41,5	69
84504	84504L	84504SS	84504LSS	CL 208	40	117	99	146,5	11	53	18,5	16,5	43	69

CL Grub screw

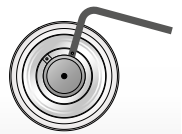
Watertight bearings - solid version

Main features:

- Housing in reinforced polypropylene & cover in SS
- Chrome steel or stainless steel ball bearing (pre-lubricated)
- Nickel-plated brass mounting hole spacers
- Nickel plated steel or SS grease nipple with self-forming thread M6
- Polypropylene open cap with O-ring seal & NBR top seal
- NBR bottom seal



FIXING METHOD



GRUB SCREW

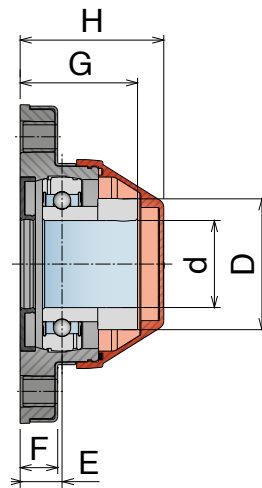
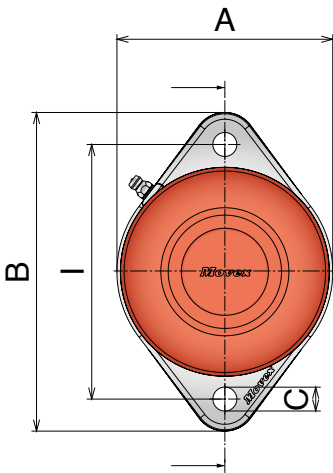
Chrome Steel	Chrome Steel "Long life"	Stainless Steel	SS ProRun	Article-Number	Series	d	l	A	B	C	D	E	F	G	H			
				84602	84602L	84602SS	84602LSS	CL 206	30	117	99	146,5	11	40	18,5	16,5	40	69
				84603	84603L	84603SS	84603LSS	CL 207	35	117	99	146,5	11	48	18,5	16,5	41,5	69
				84604	84604L	84604SS	84604LSS	CL 208	40	117	99	146,5	11	53	18,5	16,5	43	69

CL Locking collar

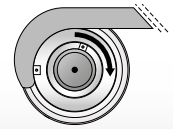
Watertight bearings - solid version

Main features:

- Housing in reinforced polypropylene & cover in SS
- Chrome steel ball bearing (pre-lubricated)
- Nickel-plated brass mounting hole spacers
- Nickel plated steel or SS grease nipple with self-forming thread M6
- Polypropylene close cap with O-ring seal
- NBR bottom seal



FIXING METHOD
(ECCENTRIC RING)



LOCKING COLLAR

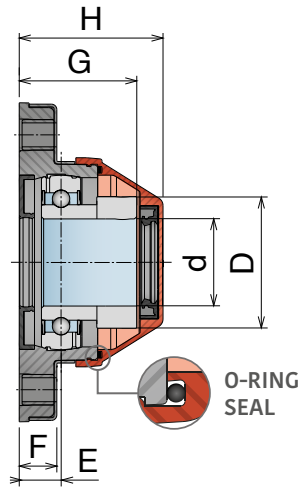
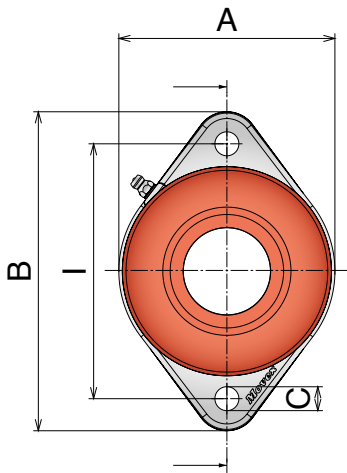
Chrome Steel		Article-Number	Series	d	I	A	B	C	D	E	F	G	H
		84702	CL 206	30	117	99	146,5	11	45	18,5	16,5	46	69
		84703	CL 207	35	117	99	146,5	11	56	18,5	16,5	49	69
		84704	CL 208	40	117	99	146,5	11	60,3	18,5	16,5	53	69

CL Locking collar

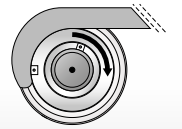
Watertight bearings - solid version

Main features:

- Housing in reinforced polypropylene & cover in SS
- Chrome steel ball bearing (pre-lubricated)
- Nickel-plated brass mounting hole spacers
- Nickel plated steel or SS grease nipple with self-forming thread M6
- Polypropylene open cap with O-ring seal & NBR top seal
- NBR bottom seal



FIXING METHOD
(ECCENTRIC RING)



LOCKING COLLAR

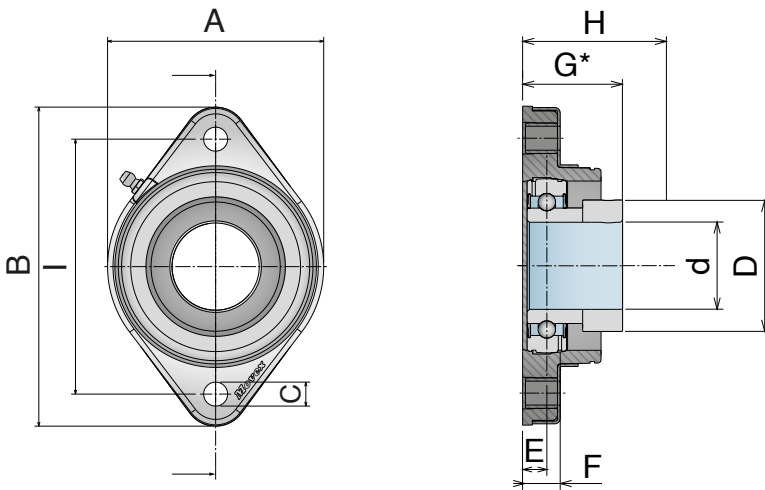
Chrome Steel		Article-Number	Series	d	I	A	B	C	D	E	F	G	H
		84802	CL 206	30	117	99	146,5	11	45	18,5	16,5	46	69
		84803	CL 207	35	117	99	146,5	11	56	18,5	16,5	49	69
		84804	CL 208	40	117	99	146,5	11	60,3	18,5	16,5	53	69

CL Locking collar - Compact

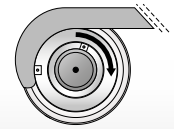
Standard bearings - solid version

Main features:

- Housing in reinforced polypropylene & cover in SS
- Chrome steel ball bearing (pre-lubricated)
- Nickel-plated brass mounting hole spacers
- Nickel plated steel or SS grease nipple with self-forming thread M6
- **No** bottom seal available



FIXING METHOD
(ECCENTRIC RING)



LOCKING COLLAR

Chrome Steel											
Article-Number	Series	d	l	A	B	C	D	E	F	G*	H
89939	CL 206	30	117	99	146,5	11	45	16,3	16	44	69
89936	CL 208	40	117	99	146,5	11	60,3	11,1	16	45,8	69

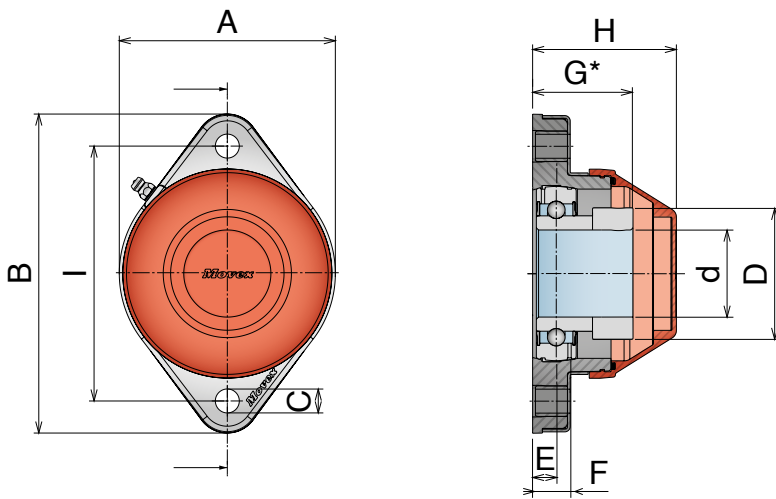
*G dimension smaller than standard version

CL Locking collar - Compact

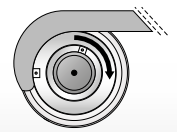
Watertight bearings - solid version

Main features:

- Housing in reinforced polypropylene & cover in SS
- Chrome steel ball bearing (pre-lubricated)
- Nickel-plated brass mounting hole spacers
- Nickel plated steel or SS grease nipple with self-forming thread M6
- Polypropylene close cap with O-ring seal
- **No** bottom seal available



FIXING METHOD
(ECCENTRIC RING)



LOCKING COLLAR

Chrome Steel		Article-Number	Series	d	I	A	B	C	D	E	F	G*	H
		89942	CL 206	30	117	99	146,5	11	45	16,3	16	44	69
		89940	CL 208	40	117	99	146,5	11	60,3	11,1	16	45,8	69

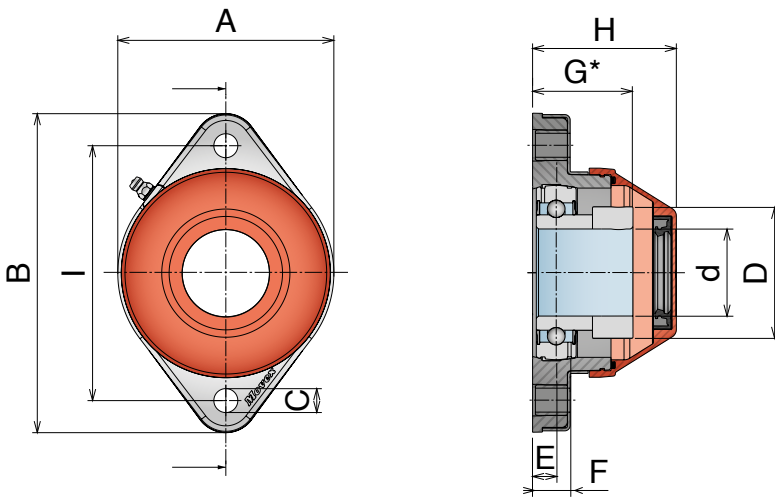
*G dimension smaller than standard version

CL Locking collar - Compact

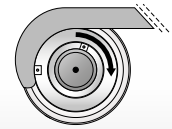
Watertight bearings - solid version

Main features:

- Housing in reinforced polypropylene & cover in SS
- Chrome steel ball bearing (pre-lubricated)
- Nickel-plated brass mounting hole spacers
- Nickel plated steel or SS grease nipple with self-forming thread M6
- Polypropylene open cap with O-ring seal & NBR top seal
- **No** bottom seal available



FIXING METHOD
(ECCENTRIC RING)



LOCKING COLLAR

Chrome Steel		Article-Number	Series	d	I	A	B	C	D	E	F	G*	H
		89943	CL 206	30	117	99	146,5	11	45	16,3	16	44	69
		89941	CL 208	40	117	99	146,5	11	60,3	11,1	16	45,8	69

*G dimension smaller than standard version

Delivery: **Easy** Standard

CS watertight

WITH GRUB SCREW



SOLID VERSION
Close cap page 647

SOLID VERSION
Open cap page 648

CS watertight

WITH LOCKING COLLAR
(eccentric ring)



SOLID VERSION
Close cap page 649

SOLID VERSION
Open cap page 650

CS standard

WITH LOCKING COLLAR - **COMPACT**
(eccentric ring)



STANDARD VERSION
Page 651

CS watertight

WITH LOCKING COLLAR - **COMPACT**
(eccentric ring)



SOLID VERSION
Close cap page 652

SOLID VERSION
Open cap page 653

SS ProRun

The **Pro** choice for uncompromising performance.

Manufactured with premium materials to ensure maximum reliability and durability, the new **SS ProRun** bearing insert is the ideal solution for those who need performance, even in the most demanding environments and under the most critical conditions.

- **AISI 440 rings:** Absolute guarantee of precision and robustness.
- **AISI 440 bearings and balls:** Maximum corrosion resistance and longevity.
- **FDA blue NBR seals:** Perfect sealing, protection from contaminants.
- **FDA-certified grease:** Superior lubrication for excellent and long-lasting performance.

Optimize your operations and choose quality that lasts; choose **SS ProRun**.

Browse the catalog and discover the available versions.

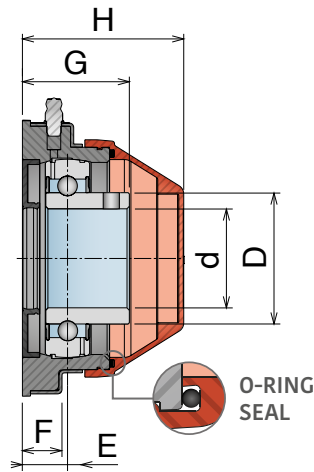
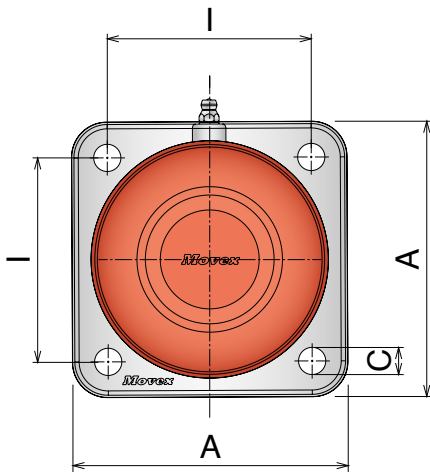


CS Grub screw

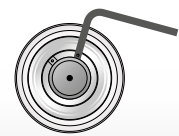
Watertight bearings - solid version

Main features:

- Housing in reinforced polypropylene & cover in SS
- Chrome steel or stainless steel ball bearing (pre-lubricated)
- Nickel-plated brass mounting hole spacers
- Nickel plated steel or SS grease nipple with self-forming thread M6
- Polypropylene close cap with O-ring seal
- NBR bottom seal



FIXING METHOD



GRUB SCREW

Chrome Steel	Chrome Steel "Long life"	Stainless Steel	SS ProRun
--------------	--------------------------	-----------------	-----------

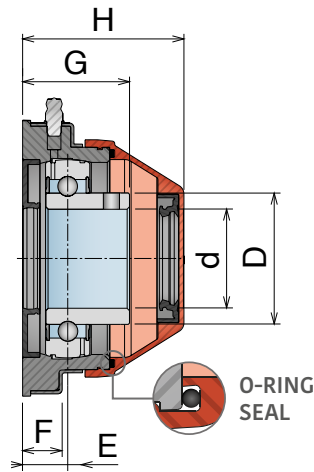
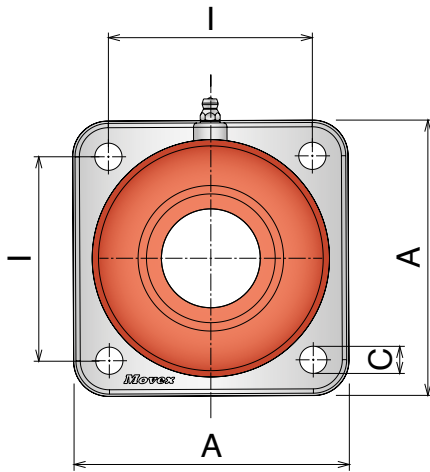
Article-Number				Series	d	I	A	C	D	E	F	G	H
84902	84902L	84902SS	84902LSS	CS 206	30	82,5	111	11	40	18,5	16,5	40	69
84903	84903L	84903SS	84903LSS	CS 207	35	82,5	111	11	48	18,5	16,5	41,5	69
84904	84904L	84904SS	84904LSS	CS 208	40	82,5	111	11	53	18,5	16,5	43	69

CS Grub screw

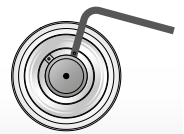
Watertight bearings - solid version

Main features:

- Housing in reinforced polypropylene & cover in SS
- Chrome steel or stainless steel ball bearing (pre-lubricated)
- Nickel-plated brass mounting hole spacers
- Nickel plated steel or SS grease nipple with self-forming thread M6
- Polypropylene open cap with O-ring seal & NBR top seal
- NBR bottom seal



FIXING METHOD



GRUB SCREW

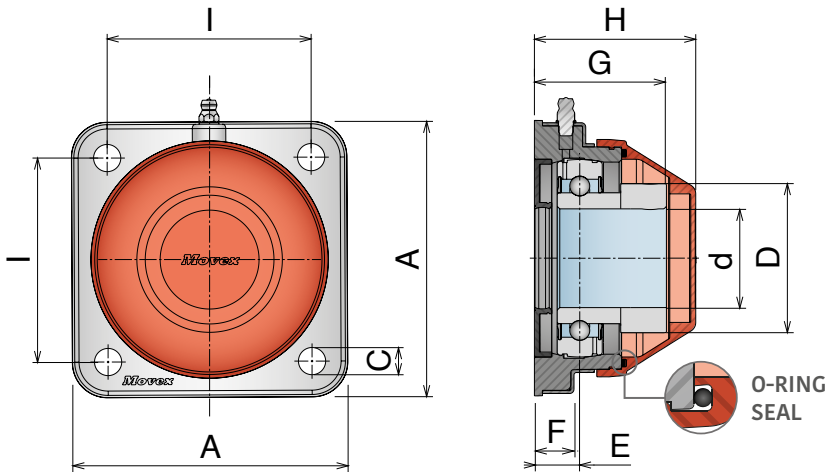
Chrome Steel	Chrome Steel "Long life"	Stainless Steel	SS ProRun	Article-Number	Series	d	I	A	C	D	E	F	G	H			
				85002	85002L	85002SS	85002LSS	CS 206	30	82,5	111	11	40	18,5	16,5	40	69
				85003	85003L	85003SS	85003LSS	CS 207	35	82,5	111	11	48	18,5	16,5	41,5	69
				85004	85004L	85004SS	85004LSS	CS 208	40	82,5	111	11	53	18,5	16,5	43	69

CS Locking collar

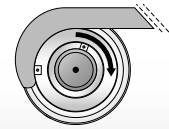
Watertight bearings - solid version

Main features:

- Housing in reinforced polypropylene & cover in SS
- Chrome steel ball bearing (pre-lubricated)
- Nickel-plated brass mounting hole spacers
- Nickel plated steel or SS grease nipple with self-forming thread M6
- Polypropylene close cap with O-ring seal
- NBR bottom seal



FIXING METHOD
(ECCENTRIC RING)



LOCKING COLLAR

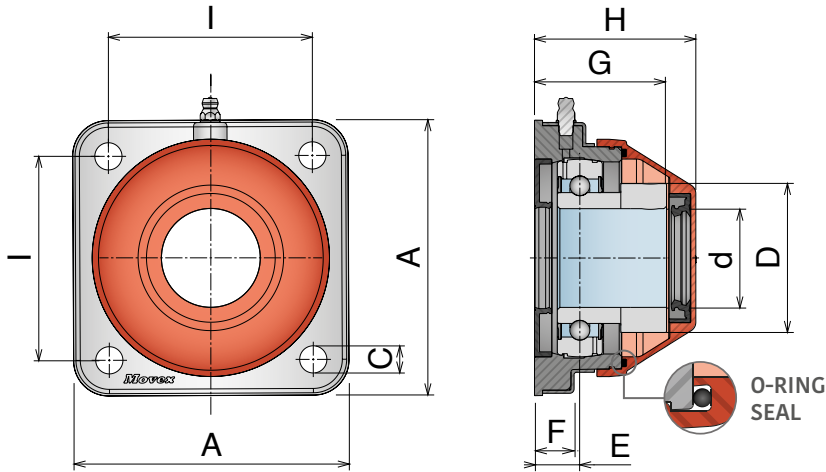
Chrome Steel		Article-Number	Series	d	I	A	C	D	E	F	G	H
		85102	CS 206	30	82,5	111	11	45	18,5	16,5	46	69
		85103	CS 207	35	82,5	111	11	56	18,5	16,5	49	69
		85104	CS 208	40	82,5	111	11	60,3	18,5	16,5	53	69

CS Locking collar

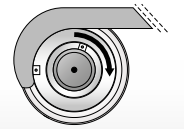
Watertight bearings - solid version

Main features:

- Housing in reinforced polypropylene & cover in SS
- Chrome steel ball bearing (pre-lubricated)
- Nickel-plated brass mounting hole spacers
- Nickel plated steel or SS grease nipple with self-forming thread M6
- Polypropylene open cap with O-ring seal & NBR top seal
- NBR bottom seal



FIXING METHOD
(ECCENTRIC RING)



LOCKING COLLAR

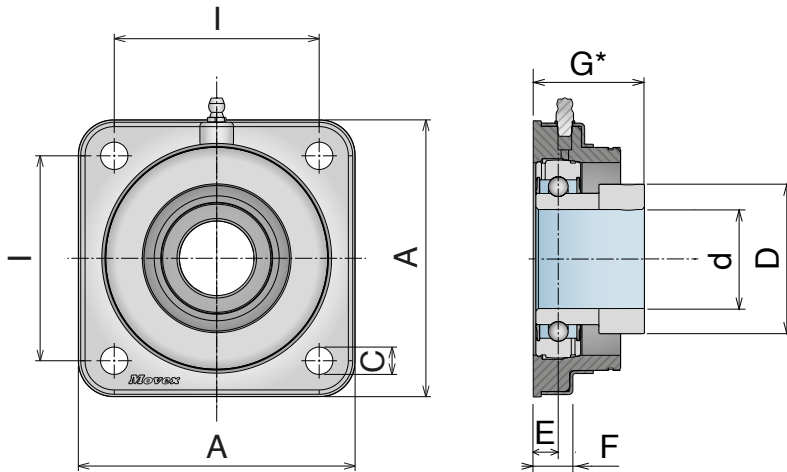
Chrome Steel		Article-Number	Series	d	I	A	C	D	E	F	G	H
		85202	CS 206	30	82,5	111	11	45	18,5	16,5	46	69
		85203	CS 207	35	82,5	111	11	56	18,5	16,5	49	69
		85204	CS 208	40	82,5	111	11	60,3	18,5	16,5	53	69

CS Locking collar - Compact

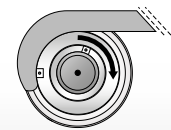
Standard bearings - solid version

Main features:

- Housing in reinforced polypropylene & cover in SS
- Chrome steel ball bearing (pre-lubricated)
- Nickel-plated brass mounting hole spacers
- Nickel plated steel or SS grease nipple with self-forming thread M6
- **No** bottom seal available



FIXING METHOD
(ECCENTRIC RING)



LOCKING COLLAR

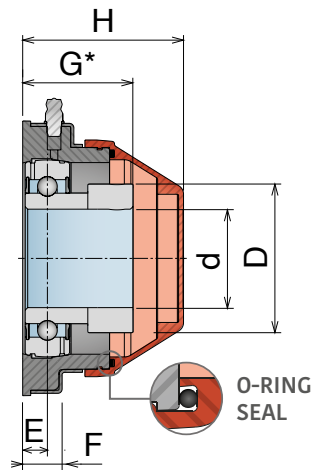
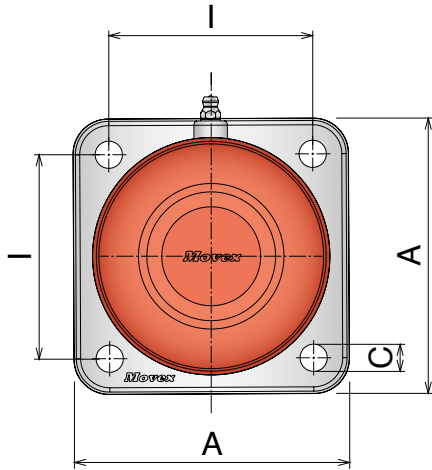
Chrome Steel									
Article-Number	Series	d	I	A	C	D	E	F	G*
89938	CS 206	30	82,5	111	11	45	15,3	16	43
89937	CS 208	40	82,5	111	11	60,3	10,1	16	44,8

*G dimension smaller than standard version

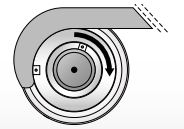
Watertight bearings - solid version

Main features:

- Housing in reinforced polypropylene & cover in SS
- Chrome steel ball bearing (pre-lubricated)
- Nickel-plated brass mounting hole spacers
- Nickel plated steel or SS grease nipple with self-forming thread M6
- Polypropylene close cap with O-ring seal
- **No** bottom seal available



FIXING METHOD
(ECCENTRIC RING)



LOCKING COLLAR

Chrome Steel		Article-Number	Series	d	I	A	C	D	E	F	G*	H
		89946	CS 206	30	82,5	111	11	45	15,3	16	43	69
		89944	CS 208	40	82,5	111	11	60,3	10,1	16	44,8	69

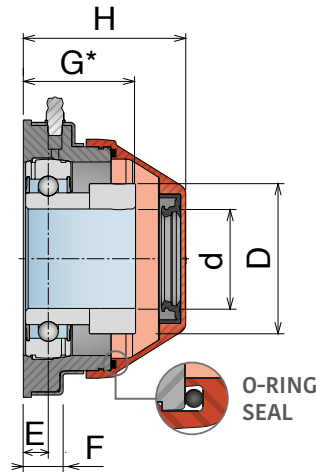
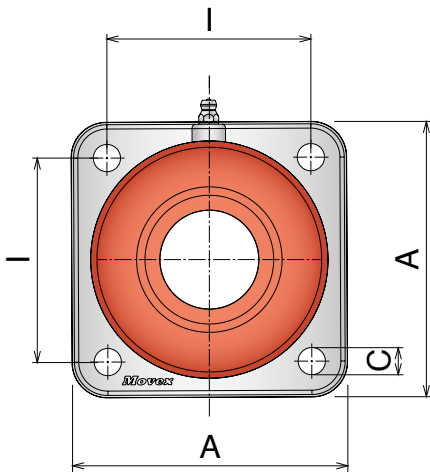
*G dimension smaller than standard version

CS Locking collar - Compact

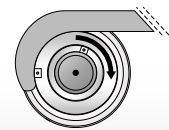
Watertight bearings - solid version

Main features:

- Housing in reinforced polypropylene & cover in SS
- Chrome steel ball bearing (pre-lubricated)
- Nickel-plated brass mounting hole spacers
- Nickel plated steel or SS grease nipple with self-forming thread M6
- Polypropylene open cap with O-ring seal & NBR top seal
- **No** bottom seal available



FIXING METHOD
(ECCENTRIC RING)



LOCKING COLLAR

Chrome Steel		Article-Number	Series	d	I	A	C	D	E	F	G*	H
		89947	CS 206	30	82,5	111	11	45	15,3	16	43	69
		89945	CS 208	40	82,5	111	11	60,3	10,1	16	44,8	69

*G dimension smaller than standard version

Stainless steel *series*

Delivery: **Easy** Standard

SUCFL bearings

WITH GRUB SCREW



STANDARD VERSION

Page 655

SUCF bearings

WITH GRUB SCREW



STANDARD VERSION

Page 656

SUCFK bearings

WITH GRUB SCREW



STANDARD VERSION

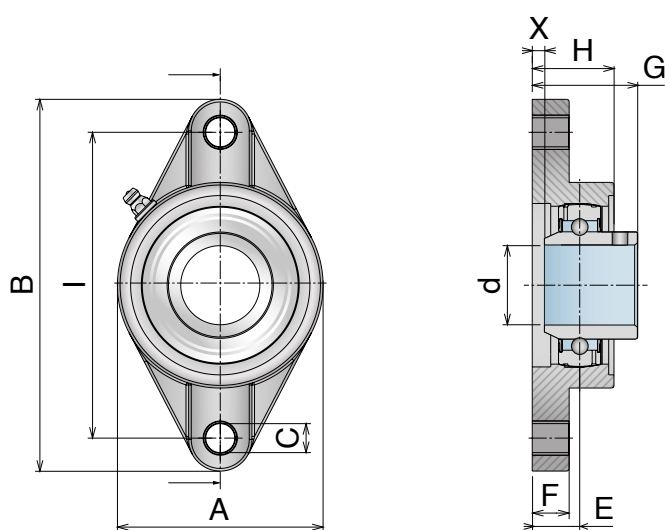
Page 657

SUCFL *Grub screw*

Standard bearings - solid version

Main features:

- Housing in stainless steel
- Best choice for food or pharmaceutical industries
- Stainless steel ball bearing (pre-lubricated)
- Nickel plated steel or SS grease nipple with self-forming thread M6



FIXING METHOD



GRUB SCREW

Stainless Steel

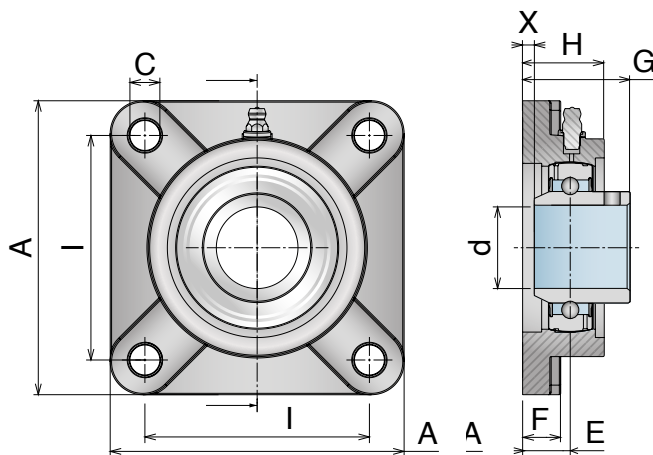
Article-Number	Series	d	I	A	B	C	E	F	G	H	X
81700	SUCFL 204	20	90	60	113	12	15	11	33,3	25,5	2,3
81701	SUCFL 205	25	99	68	130	16	16	14,5	35,8	27	1,7
81702	SUCFL 206	30	117	80	148	16	18	14,5	40,2	31	2,1
81703	SUCFL 207	35	130	90	161	16	19	14,5	44,4	34	1,5
81704	SUCFL 208	40	144	100	175	16	21	15	51,2	36	2

SUCF *Grub screw*

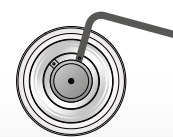
Standard bearings - solid version

Main features:

- Housing in stainless steel
- Best choice for food or pharmaceutical industries
- Stainless steel ball bearing (pre-lubricated)
- Nickel plated steel or SS grease nipple with self-forming thread M6



FIXING METHOD



GRUB SCREW

Stainless Steel

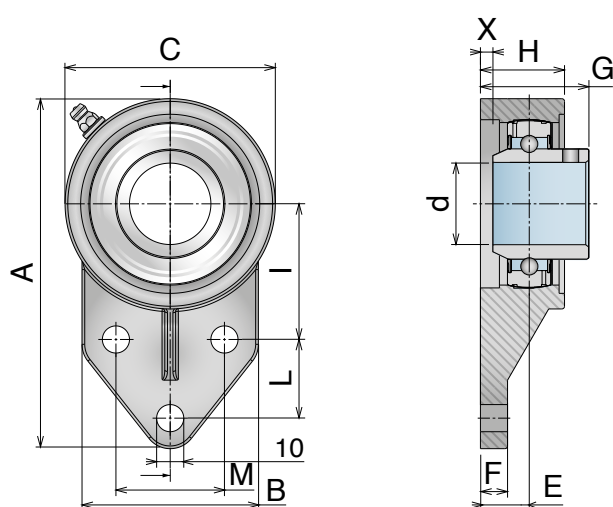
Article-Number	Series	d	I	A	C	E	F	G	H	X
81900	SUCF 204	20	64	86	12	15	12	33,3	25,5	2,3
81901	SUCF 205	25	70	95	12	16	14	35,8	27	1,7
81902	SUCF 206	30	83	108	12	18	14	40,2	31	2,1
81903	SUCF 207	35	92	117	14	19	15,5	44,4	34	1,5
81904	SUCF 208	40	102	130	16	21	15,5	51,2	36	2

SUCFK *Grub screw*

Standard bearings - solid version

Main features:

- Housing in stainless steel
- Best choice for food or pharmaceutical industries
- Stainless steel ball bearing (pre-lubricated)
- Nickel plated steel or SS grease nipple with self-forming thread M6



FIXING METHOD



GRUB SCREW

Stainless Steel		Article-Number	Series	d	A	I	L	M	B	C	E	F	G	H	X
	82100	SUCFK 204	20	110	42	27	32	52	62	15	13	33,3	25,5	2,3	
	82101	SUCFK 205	25	116	45	27	34	56	68	16	13	35,7	27	1,7	
	82102	SUCFK 206	30	130	50	29	40	65	78	18	13	40,2	31	2,1	
	82103	SUCFK 207	35	144	55	32	46	70	90	19	15	44,4	34	1,5	
	82104	SUCFK 208	40	164	60	41	50	78	100	21	16	51,2	36	2	

Hygienic series

Delivery: **Easy** Standard

FL Hygienic

WITH GRUB SCREW



STANDARD VERSION

Page 659

WATERTIGHT VERSION

Close/open cap page 660/661

F Hygienic

WITH GRUB SCREW



STANDARD VERSION

Page 662

WATERTIGHT VERSION

Close/open cap page 663/664

FB Hygienic

WITH GRUB SCREW



STANDARD VERSION

Page 665

WATERTIGHT VERSION

Close/open cap page 666/667

UCP Hygienic

WITH GRUB SCREW



STANDARD VERSION

Page 668

WATERTIGHT VERSION

Close/open cap page 669/670

UCT Hygienic

WITH GRUB SCREW



STANDARD VERSION

Page 671

WATERTIGHT VERSION

Close/open cap page 672/673

Accessories

HYGIENIC VERSION



BLUE VERSION

Page 674

WHITE VERSION

Page 674

SS ProRun

The **Pro** choice for uncompromising performance.

Manufactured with premium materials to ensure maximum reliability and durability, the new **SS ProRun** bearing insert is the ideal solution for those who need performance, even in the most demanding environments and under the most critical conditions.

- **AISI 440 rings:** Absolute guarantee of precision and robustness.
- **AISI 440 bearings and balls:** Maximum corrosion resistance and longevity.
- **FDA blue NBR seals:** Perfect sealing, protection from contaminants.
- **FDA-certified grease:** Superior lubrication for excellent and long-lasting performance.

Optimize your operations and choose quality that lasts; choose **SS ProRun**.

Browse the catalog and discover the available versions.

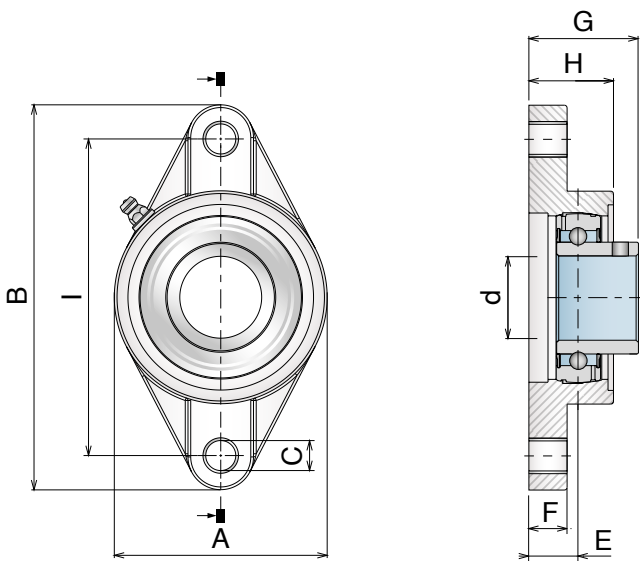


FL Grub screw

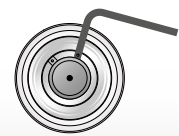
Standard bearings - solid version

Main features:

- Housing made of additive-enhanced PBT for improved thermal expansion resistance and working temperature
- Stainless steel ball bearing (pre-lubricated)
- Stainless steel mounting hole spacers
- Stainless steel grease nipple
- Washer for grease nipple in PE



FIXING METHOD



GRUB SCREW

Stainless Steel												Caps (Accessories)	
Article-Number	Series	d	I	A	B	C	E	F	G	H	Close	Open	
○ 81300 ● 81300B	FL 204	20	90	64	113	11	15,4	11,4	33,4	26,5	89801	89851	
○ 81301 ● 81301B	FL 205	25	99	70	131	11	17	14	36,5	29,5	89802	89852	
○ 81305 ● 81305B	FL 206/90,5	30	90,5	84	112,5	11	11,5	20,5	33,5	23,3	89803	89853	
○ 81302 ● 81302B	FL 206		117	80	148	11	18	14	40	30,5	89803	89853	
○ 81303 ● 81303B	FL 207	35	130	90	164	13	18	16,1	41,5	32,8	89804	89854	
○ 81306 ● 81306B	FL 208/119	40	119	99	150	14	13,5	24,5	38,5	27,5	89805	89855	
○ 81304 ● 81304B	FL 208		144	100	176	14	21,5	20	46,5	37,5	89805	89855	

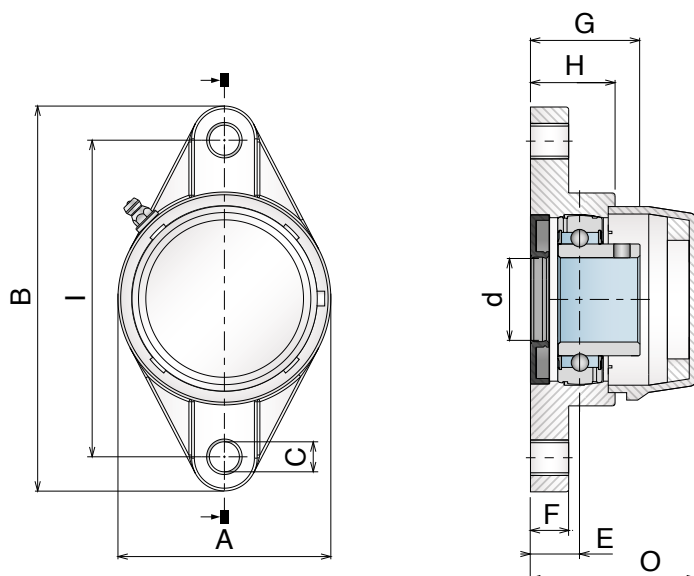
For blue caps, add "B" to the code (e.g.: 89801B)

FL Grub screw

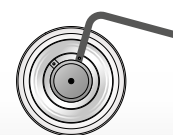
Watertight bearings - solid version

Main features:

- Housing made of additive-enhanced PBT for improved thermal expansion resistance and working temperature
- Stainless steel ball bearing (pre-lubricated)
- Stainless steel mounting hole spacers
- Stainless steel grease nipple
- Polypropylene closed cap with O-ring seal
- Washer for grease nipple in PE
- NBR bottom seal



FIXING METHOD



GRUB SCREW

Stainless Steel		Series	d	I	A	B	C	E	F	G	H	O	
○	81320	● 81320B	FL 204	20	90	64	113	11	15,4	11,4	33,4	26,5	46,5
○	81321	● 81321B	FL 205	25	99	70	131	11	17	14	36,5	29,5	51
○	81325	● 81325B	FL 206/90,5	30	90,5	84	112,5	11	11,5	20,5	33,5	23,3	50
○	81322	● 81322B	FL 206		117	80	148	11	18	14	40	30,5	58
○	81323	● 81323B	FL 207	35	130	90	164	13	18	16,1	41,5	32,8	61
○	81326	● 81326B	FL 208/119	40	119	99	150	14	13,5	24,5	38,5	27,5	60,5
○	81324	● 81324B	FL 208		144	100	176	14	21,5	20	46,5	37,5	71

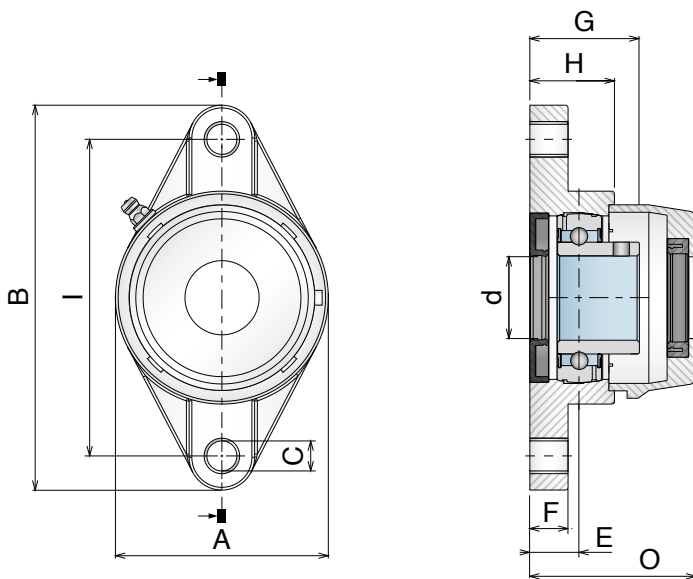
SS ProRun		Series	d	I	A	B	C	E	F	G	H	O	
○	81320L	● 81320BL	FL 204	20	90	64	113	11	15,4	11,4	33,4	26,5	46,5
○	81321L	● 81321BL	FL 205	25	99	70	131	11	17	14	36,5	29,5	51
○	81325L	● 81325BL	FL 206/90,5	30	90,5	84	112,5	11	11,5	20,5	33,5	23,3	50
○	81322L	● 81322BL	FL 206		117	80	148	11	18	14	40	30,5	58
○	81323L	● 81323BL	FL 207	35	130	90	164	13	18	16,1	41,5	32,8	61
○	81326L	● 81326BL	FL 208/119	40	119	99	150	14	13,5	24,5	38,5	27,5	60,5
○	81324L	● 81324BL	FL 208		144	100	176	14	21,5	20	46,5	37,5	71

FL Grub screw

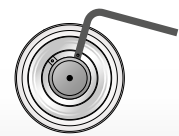
Watertight bearings - solid version

Main features:

- Housing made of additive-enhanced PBT for improved thermal expansion resistance and working temperature
- Stainless steel ball bearing (pre-lubricated)
- Stainless steel mounting hole spacers
- Stainless steel grease nipple
- Polypropylene open cap with O-ring seal & NBR top seal
- Washer for grease nipple in PE
- NBR bottom seal



FIXING METHOD



GRUB SCREW

Stainless Steel		Series	d	I	A	B	C	E	F	G	H	O
○	81330 ● 81330B	FL 204	20	90	64	113	11	15,4	11,4	33,4	26,5	46,5
○	81331 ● 81331B	FL 205	25	99	70	131	11	17	14	36,5	29,5	51
○	81335 ● 81335B	FL 206/90,5	30	90,5	84	112,5	11	11,5	20,5	33,5	23,3	50
○	81332 ● 81332B	FL 206		117	80	148	11	18	14	40	30,5	58
○	81333 ● 81333B	FL 207	35	130	90	164	13	18	16,1	41,5	32,8	61
○	81336 ● 81336B	FL 208/119	40	119	99	150	14	13,5	24,5	38,5	27,5	60,5
○	81334 ● 81334B	FL 208		144	100	176	14	21,5	20	46,5	37,5	71

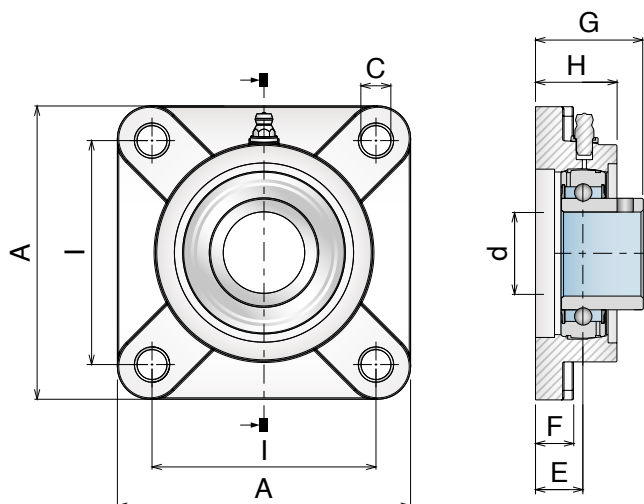
SS ProRun		Series	d	I	A	B	C	E	F	G	H	O
○	81330L ● 81330BL	FL 204	20	90	64	113	11	15,4	11,4	33,4	26,5	46,5
○	81331L ● 81331BL	FL 205	25	99	70	131	11	17	14	36,5	29,5	51
○	81335L ● 81335BL	FL 206/90,5	30	90,5	84	112,5	11	11,5	20,5	33,5	23,3	50
○	81332L ● 81332BL	FL 206		117	80	148	11	18	14	40	30,5	58
○	81333L ● 81333BL	FL 207	35	130	90	164	13	18	16,1	41,5	32,8	61
○	81336L ● 81336BL	FL 208/119	40	119	99	150	14	13,5	24,5	38,5	27,5	60,5
○	81334L ● 81334BL	FL 208		144	100	176	14	21,5	20	46,5	37,5	71

F Grub screw

Standard bearings - solid version

Main features:

- Housing made of additive-enhanced PBT for improved thermal expansion resistance and working temperature
- Stainless steel ball bearing (pre-lubricated)
- Stainless steel mounting hole spacers
- Stainless steel grease nipple
- Washer for grease nipple in PE



FIXING METHOD



GRUB SCREW

Stainless Steel										Caps (Accessories)	
Article-Number	Series	d	I	A	C	E	F	G	H	Close	Open
○ 81400 ● 81400B	F 204	20	63,5	86	11	18	13,4	34,8	25,3	89801	89851
○ 81401 ● 81401B	F 205	25	70	95	11	17	14	35,8	28,5	89802	89852
○ 81402 ● 81402B	F 206	30	83	107	11	19,2	14,3	40,8	31,5	89803	89853
○ 81403 ● 81403B	F 207	35	92	118	13	21,5	15,5	42,8	34,4	89804	89854
○ 81404 ● 81404B	F 208	40	102	130	14	23	17	46,2	33,4	89805	89855

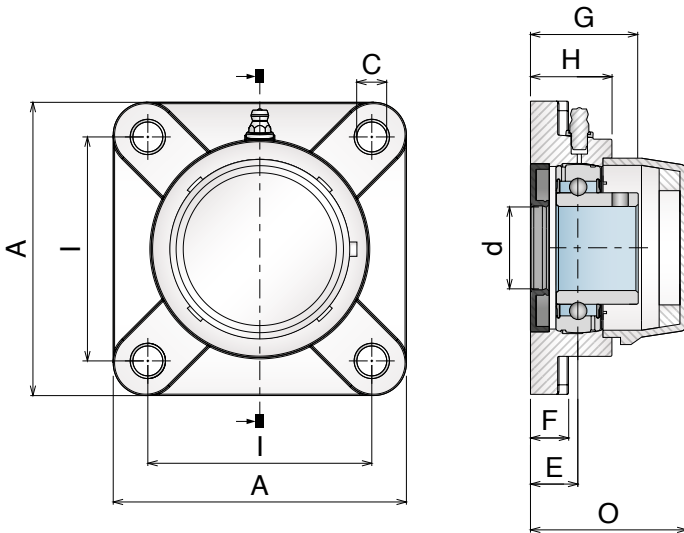
For blue caps, add "B" to the code (e.g.: 89801B)

F Grub screw

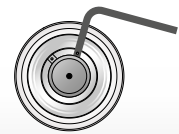
Watertight bearings - solid version

Main features:

- Housing made of additive-enhanced PBT for improved thermal expansion resistance and working temperature
- Stainless steel ball bearing (pre-lubricated)
- Stainless steel mounting hole spacers
- Stainless steel grease nipple
- Polypropylene closed cap with O-ring seal
- Washer for grease nipple in PE
- NBR bottom seal



FIXING METHOD



GRUB SCREW

Stainless Steel

Article-Number	Series	d	I	A	C	E	F	G	H	O
○ 81420 ● 81420B	F 204	20	63,5	86	11	18	13,4	34,8	25,3	48,5
○ 81421 ● 81421B	F 205	25	70	95	11	17	14	35,8	28,5	51
○ 81422 ● 81422B	F 206	30	83	107	11	19,2	14,3	40,8	31,5	59
○ 81423 ● 81423B	F 207	35	92	118	13	21,5	15,5	42,8	34,4	62,5
○ 81424 ● 81424B	F 208	40	102	130	14	23	17	46,2	33,4	71

SS ProRun

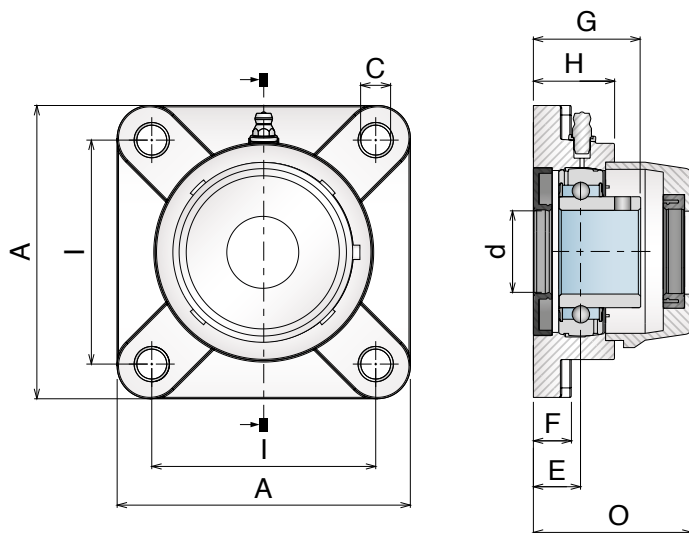
Article-Number	Series	d	I	A	C	E	F	G	H	O
○ 81420L ● 81420BL	F 204	20	63,5	86	11	18	13,4	34,8	25,3	48,5
○ 81421L ● 81421BL	F 205	25	70	95	11	17	14	35,8	28,5	51
○ 81422L ● 81422BL	F 206	30	83	107	11	19,2	14,3	40,8	31,5	59
○ 81423L ● 81423BL	F 207	35	92	118	13	21,5	15,5	42,8	34,4	62,5
○ 81424L ● 81424BL	F 208	40	102	130	14	23	17	46,2	33,4	71

F Grub screw

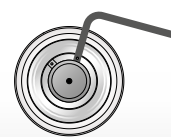
Watertight bearings - solid version

Main features:

- Housing made of additive-enhanced PBT for improved thermal expansion resistance and working temperature
- Stainless steel ball bearing (pre-lubricated)
- Stainless steel mounting hole spacers
- Stainless steel grease nipple
- Polypropylene open cap with O-ring seal & NBR top seal
- Washer for grease nipple in PE
- NBR bottom seal



FIXING METHOD



GRUB SCREW

Stainless Steel

Article-Number	Series	d	I	A	C	E	F	G	H	O
○ 81430 ● 81430B	F 204	20	63,5	86	11	18	13,4	34,8	25,3	48,5
○ 81431 ● 81431B	F 205	25	70	95	11	17	14	35,8	28,5	51
○ 81432 ● 81432B	F 206	30	83	107	11	19,2	14,3	40,8	31,5	59
○ 81433 ● 81433B	F 207	35	92	118	13	21,5	15,5	42,8	34,4	62,5
○ 81434 ● 81434B	F 208	40	102	130	14	23	17	46,2	33,4	71

SS ProRun

Article-Number	Series	d	I	A	C	E	F	G	H	O
○ 81430L ● 81430BL	F 204	20	63,5	86	11	18	13,4	34,8	25,3	48,5
○ 81431L ● 81431BL	F 205	25	70	95	11	17	14	35,8	28,5	51
○ 81432L ● 81432BL	F 206	30	83	107	11	19,2	14,3	40,8	31,5	59
○ 81433L ● 81433BL	F 207	35	92	118	13	21,5	15,5	42,8	34,4	62,5
○ 81434L ● 81434BL	F 208	40	102	130	14	23	17	46,2	33,4	71

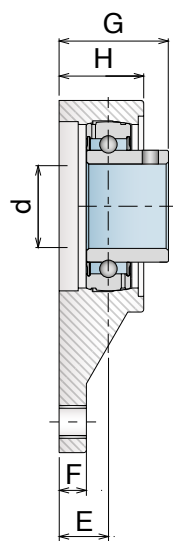
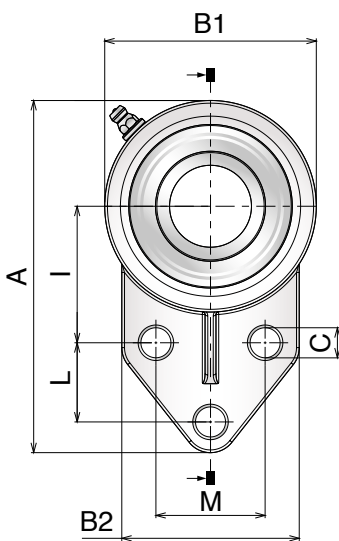
FB

Grub screw

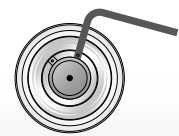
Standard bearings - solid version

Main features:

- Housing made of additive-enhanced PBT for improved thermal expansion resistance and working temperature
- Stainless steel ball bearing (pre-lubricated)
- Stainless steel mounting hole spacers
- Stainless steel grease nipple
- Washer for grease nipple in PE



FIXING METHOD



GRUB SCREW

Stainless Steel														Caps (Accessories)				
Article-Number		Series	d	A	B1	B2	C	E	F	G	H	I	L	M	Close	Open		
○	81500	●	81500B	FB 204	20	108,5	62	62	11	15,4	12	33,4	26,2	42,9	22,2	38,1	89801	89851
○	81501	●	81501B	FB 205	25	120,6	68,5	63,5	11	21	12	40,5	33,5	46	28,6	41,3	89802	89852
○	81502	●	81502B	FB 206	30	140	82	75	11	19	14	41	31,5	52,4	31,8	47,6	89803	89853
○	81503	●	81503B	FB 207	35	158	94	89	13	21,4	17	44,9	36,5	60,3	31,8	50,8	89804	89854
○	81504	●	81504B	FB 208	40	164	100	78	13	21,4	18	46,4	35,7	60,3	41,3	50	89805	89855

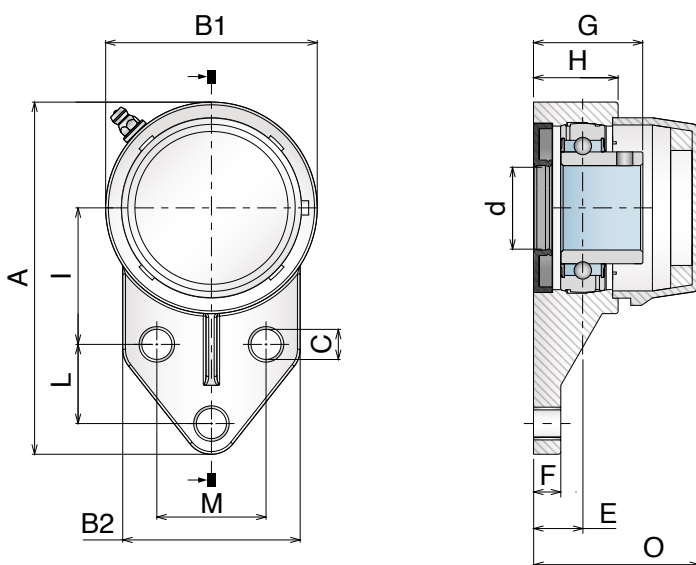
For blue caps, add "B" to the code (e.g.: 89801B)

FB Grub screw

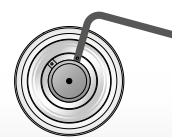
Watertight bearings - solid version

Main features:

- Housing made of additive-enhanced PBT for improved thermal expansion resistance and working temperature
- Stainless steel ball bearing (pre-lubricated)
- Stainless steel mounting hole spacers
- Stainless steel grease nipple
- Polypropylene closed cap with O-ring seal
- Washer for grease nipple in PE
- NBR bottom seal



FIXING METHOD



GRUB SCREW

Stainless Steel

Article-Number	Series	d	A	B1	B2	C	E	F	G	H	I	L	M	O
○ 81520 ● 81520B	FB 204	20	108,5	62	62	11	15,4	12	33,4	26,2	42,9	22,2	38,1	46
○ 81521 ● 81521B	FB 205	25	120,6	68,5	63,5	11	21	12	40,5	33,5	46	28,6	41,3	54,5
○ 81522 ● 81522B	FB 206	30	140	82	75	11	19	14	41	31,5	52,4	31,8	47,6	58
○ 81523 ● 81523B	FB 207	35	158	94	89	13	21,4	17	44,9	36,5	60,3	31,8	50,8	65,5
○ 81524 ● 81524B	FB 208	40	164	100	78	13	21,4	18	46,4	35,7	60,3	41,3	50	70

SS ProRun

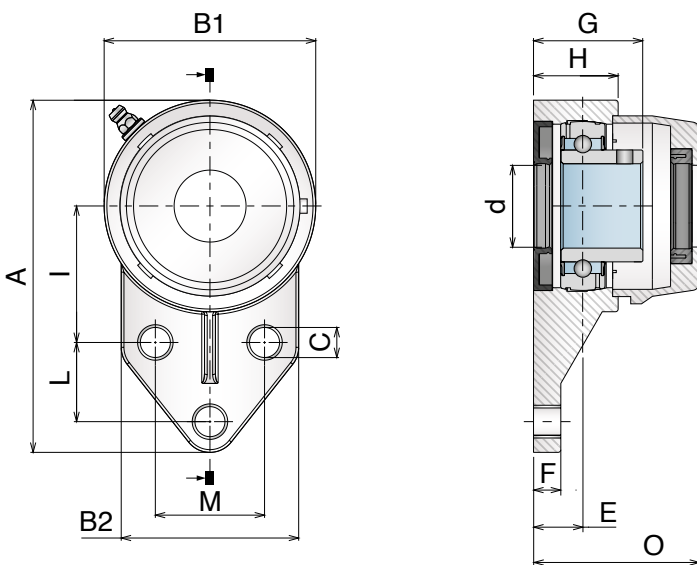
Article-Number	Series	d	A	B1	B2	C	E	F	G	H	I	L	M	O
○ 81520L ● 81520BL	FB 204	20	108,5	62	62	11	15,4	12	33,4	26,2	42,9	22,2	38,1	46
○ 81521L ● 81521BL	FB 205	25	120,6	68,5	63,5	11	21	12	40,5	33,5	46	28,6	41,3	54,5
○ 81522L ● 81522BL	FB 206	30	140	82	75	11	19	14	41	31,5	52,4	31,8	47,6	58
○ 81523L ● 81523BL	FB 207	35	158	94	89	13	21,4	17	44,9	36,5	60,3	31,8	50,8	65,5
○ 81524L ● 81524BL	FB 208	40	164	100	78	13	21,4	18	46,4	35,7	60,3	41,3	50	70

FB *Grub screw*

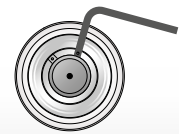
Watertight bearings - solid version

Main features:

- Housing made of additive-enhanced PBT for improved thermal expansion resistance and working temperature
- Stainless steel ball bearing (pre-lubricated)
- Stainless steel mounting hole spacers
- Stainless steel grease nipple
- Polypropylene open cap with O-ring seal & NBR top seal
- Washer for grease nipple in PE
- NBR bottom seal



FIXING METHOD



GRUB SCREW

Stainless Steel

Article-Number	Series	d	A	B1	B2	C	E	F	G	H	I	L	M	O
○ 81530 ● 81530B	FB 204	20	108,5	62	62	11	15,4	12	33,4	26,2	42,9	22,2	38,1	46
○ 81531 ● 81531B	FB 205	25	120,6	68,5	63,5	11	21	12	40,5	33,5	46	28,6	41,3	54,5
○ 81532 ● 81532B	FB 206	30	140	82	75	11	19	14	41	31,5	52,4	31,8	47,6	58
○ 81533 ● 81533B	FB 207	35	158	94	89	13	21,4	17	44,9	36,5	60,3	31,8	50,8	65,5
○ 81534 ● 81534B	FB 208	40	164	100	78	13	21,4	18	46,4	35,7	60,3	41,3	50	70

SS ProRun

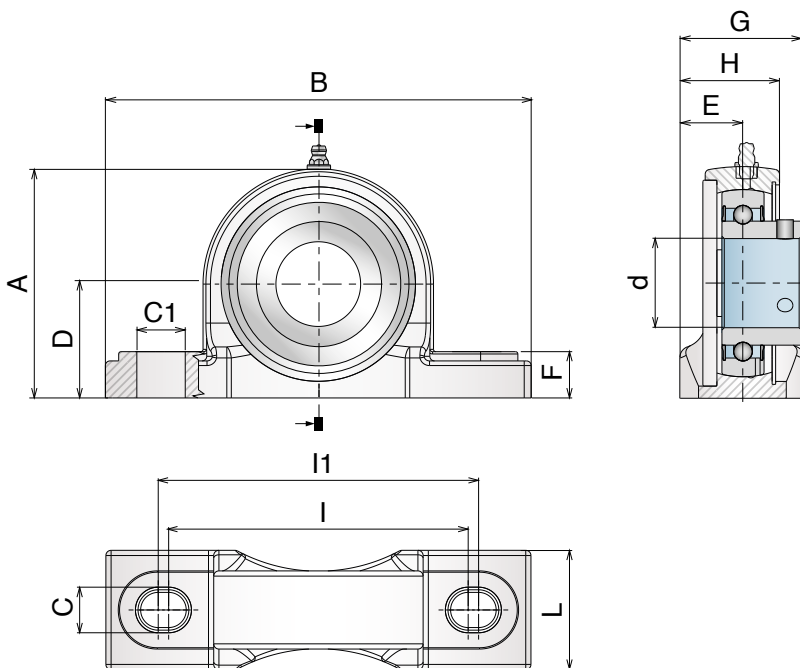
Article-Number	Series	d	A	B1	B2	C	E	F	G	H	I	L	M	O
○ 81530L ● 81530BL	FB 204	20	108,5	62	62	11	15,4	12	33,4	26,2	42,9	22,2	38,1	46
○ 81531L ● 81531BL	FB 205	25	120,6	68,5	63,5	11	21	12	40,5	33,5	46	28,6	41,3	54,5
○ 81532L ● 81532BL	FB 206	30	140	82	75	11	19	14	41	31,5	52,4	31,8	47,6	58
○ 81533L ● 81533BL	FB 207	35	158	94	89	13	21,4	17	44,9	36,5	60,3	31,8	50,8	65,5
○ 81534L ● 81534BL	FB 208	40	164	100	78	13	21,4	18	46,4	35,7	60,3	41,3	50	70

UCP Grub screw

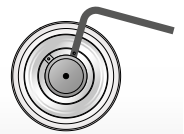
Standard bearings - solid version

Main features:

- Housing made of additive-enhanced PBT for improved thermal expansion resistance and working temperature
- Stainless steel ball bearing (pre-lubricated)
- Stainless steel mounting hole spacers
- Stainless steel grease nipple
- Washer for grease nipple in PE



FIXING METHOD



GRUB SCREW

Stainless Steel															Caps (Accessories)	
Article-Number	Series	d	I	I1	A	B	C	C1	D	E	F	G	H	L	Close	Open
○ 81800 ● 81800B	UCP 204	20	92	98	65,5	127	11	14	34	18,8	15	37	30	37	89801	89851
○ 81801 ● 81801B	UCP 205	25	102	108	71	140,5	11	14	36,7	19	15	38	33	37,8	89802	89852
○ 81802 ● 81802B	UCP 206	30	115	123	83,5	163,6	14	18	43,3	23	17,8	46	38	46	89803	89853
○ 81803 ● 81803B	UCP 207	35	123	131	94,2	168	14	18	48	24	18	48	39	48	89804	89854
○ 81804 ● 81804B	UCP 208	40	133	141	98,8	184	14	18	50	26,9	20	51,8	43	53,6	89805	89855

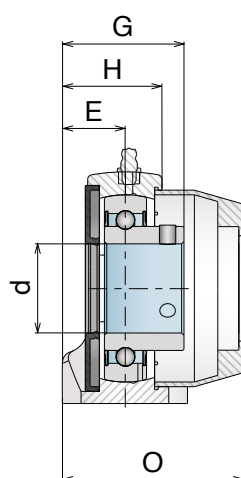
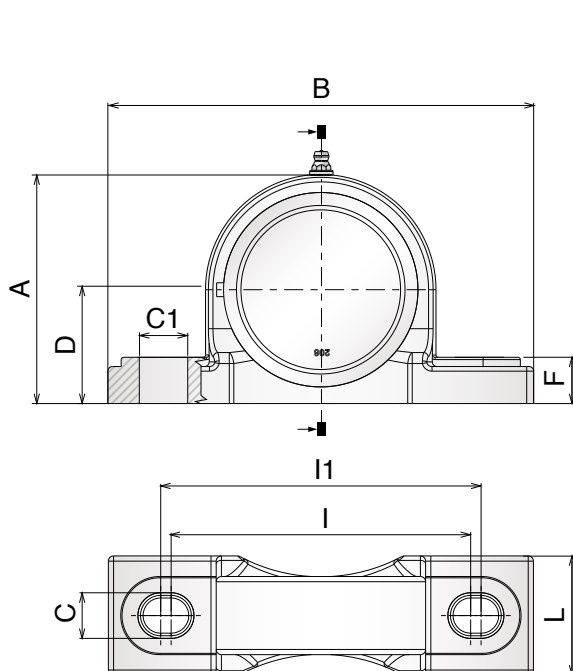
For blue caps, add "B" to the code (e.g.: 89801B)

UCP Grub screw

Watertight bearings - solid version

Main features:

- Housing made of additive-enhanced PBT for improved thermal expansion resistance and working temperature
- Stainless steel ball bearing (pre-lubricated)
- Stainless steel mounting hole spacers
- Stainless steel grease nipple
- Polypropylene closed cap with O-ring seal
- Washer for grease nipple in PE
- NBR bottom seal



FIXING METHOD



GRUB SCREW

Stainless Steel

Article-Number	Series	d	I	I1	A	B	C	C1	D	E	F	G	H	L	O
○ 81820 ● 81820B	UCP 204	20	92	98	65,5	127	11	14	34	18,8	15	37	30	37	50
○ 81821 ● 81821B	UCP 205	25	102	108	71,1	140,5	11	14	36,7	19	15	38	33	37,8	54,1
○ 81822 ● 81822B	UCP 206	30	115	123	83,5	163,6	14	18	43,3	23	17,8	46	38	46	65
○ 81823 ● 81823B	UCP 207	35	123	131	94,2	168	14	18	48	24	18	48	39	48	67
○ 81824 ● 81824B	UCP 208	40	133	141	98,8	184	14	18	50	26,9	20	51,8	43	53,6	77,5

SS ProRun

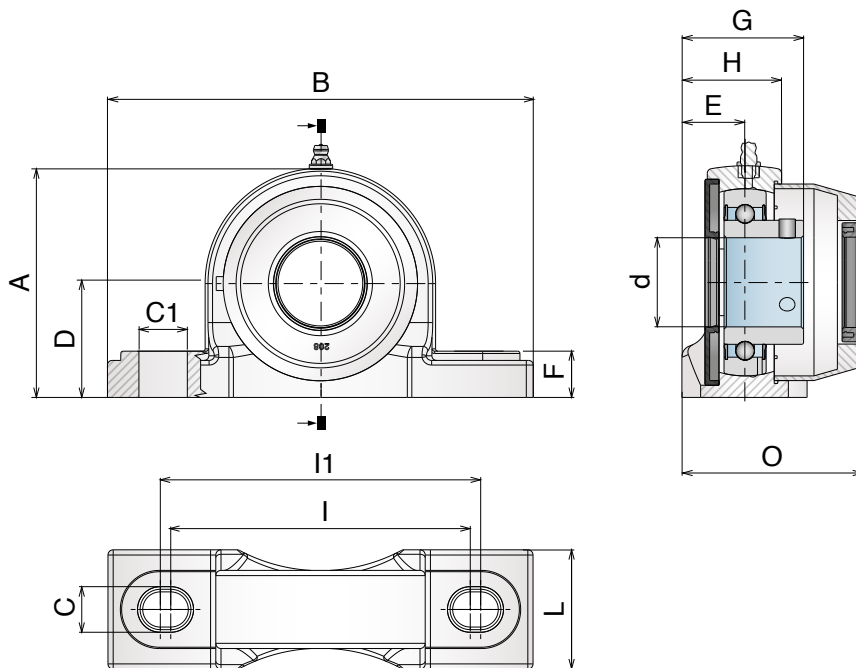
Article-Number	Series	d	I	I1	A	B	C	C1	D	E	F	G	H	L	O
○ 81820L ● 81820BL	UCP 204	20	92	98	65,5	127	11	14	34	18,8	15	37	30	37	50
○ 81821L ● 81821BL	UCP 205	25	102	108	71,1	140,5	11	14	36,7	19	15	38	33	37,8	54,1
○ 81822L ● 81822BL	UCP 206	30	115	123	83,5	163,6	14	18	43,3	23	17,8	46	38	46	65
○ 81823L ● 81823BL	UCP 207	35	123	131	94,2	168	14	18	48	24	18	48	39	48	67
○ 81824L ● 81824BL	UCP 208	40	133	141	98,8	184	14	18	50	26,9	20	51,8	43	53,6	77,5

UCP Grub screw

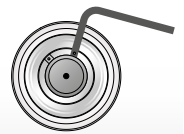
Watertight bearings - solid version

Main features:

- Housing made of additive-enhanced PBT for improved thermal expansion resistance and working temperature
- Stainless steel ball bearing (pre-lubricated)
- Stainless steel mounting hole spacers
- Stainless steel grease nipple
- Polypropylene open cap with O-ring seal & NBR top seal
- Washer for grease nipple in PE
- NBR bottom seal



FIXING METHOD



GRUB SCREW

Stainless Steel

Article-Number	Series	d	I	I1	A	B	C	C1	D	E	F	G	H	L	O
81830	UCP 204	20	92	98	65,5	127	11	14	34	18,8	15	37	30	37	50
81831	UCP 205	25	102	108	71,1	140,5	11	14	36,7	19	15	38	33	37,8	54,1
81832	UCP 206	30	115	123	83,5	163,6	14	18	43,3	23	17,8	46	38	46	65
81833	UCP 207	35	123	131	94,2	168	14	18	48	24	18	48	39	48	67
81834	UCP 208	40	133	141	98,8	184	14	18	50	26,9	20	51,8	43	53,6	77,5

SS ProRun

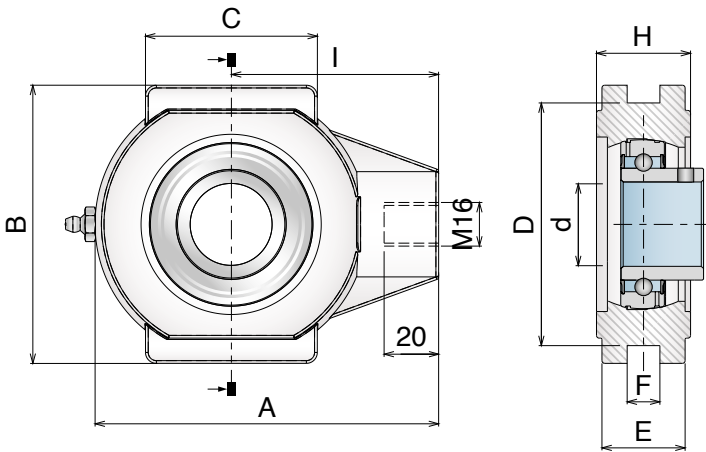
Article-Number	Series	d	I	I1	A	B	C	C1	D	E	F	G	H	L	O
81830L	UCP 204	20	92	98	65,5	127	11	14	34	18,8	15	37	30	37	50
81831L	UCP 205	25	102	108	71,1	140,5	11	14	36,7	19	15	38	33	37,8	54,1
81832L	UCP 206	30	115	123	83,5	163,6	14	18	43,3	23	17,8	46	38	46	65
81833L	UCP 207	35	123	131	94,2	168	14	18	48	24	18	48	39	48	67
81834L	UCP 208	40	133	141	98,8	184	14	18	50	26,9	20	51,8	43	53,6	77,5

UCT *Grub screw*

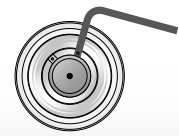
Standard bearings - solid version

Main features:

- Housing made of additive-enhanced PBT for improved thermal expansion resistance and working temperature
- Stainless steel ball bearing (pre-lubricated)
- Stainless steel mounting hole spacers
- Stainless steel grease nipple
- Washer for grease nipple in PE



FIXING METHOD



GRUB SCREW

Stainless Steel											Caps (Accessories)	
Article-Number	Series	d	I	A	B	C	D	E	F	H	Close	Open
○ 86000 ● 86000B	UCT 204	20	64	99	88	47	76	23,5	12	27,5	89801	89851
○ 86001 ● 86001B	UCT 205	25	64	99	88	47	76	23,5	12	27,5	89802	89852
○ 86002 ● 86002B	UCT 206	30	76	125	102	63	90	30,5	12	34,5	89803	89853
○ 86003 ● 86003B	UCT 207	35	76	125	102	63	90	30,5	12	34,5	89804	89854
○ 86004 ● 86004B	UCT 208	40	140	114	80	102	33,5	16	38,5	70	89805	89855

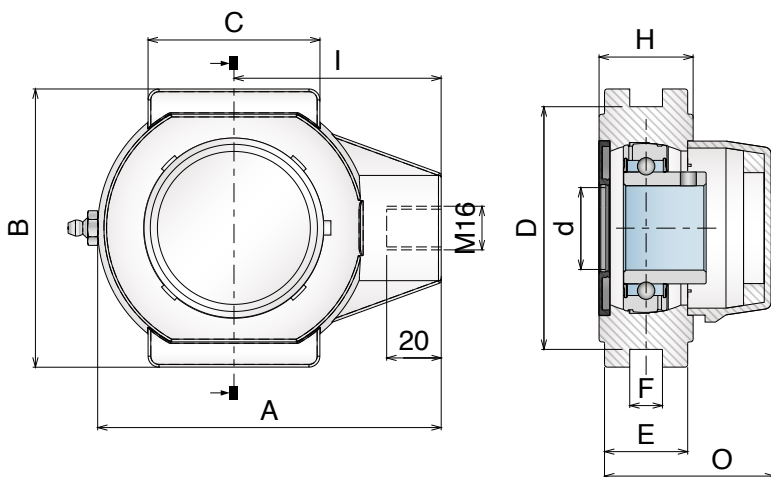
For blue caps, add "B" to the code (e.g.: 89802B)

UCT Grub screw

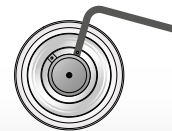
Watertight bearings - solid version

Main features:

- Housing made of additive-enhanced PBT for improved thermal expansion resistance and working temperature
- Stainless steel ball bearing (pre-lubricated)
- Stainless steel mounting hole spacers
- Stainless steel grease nipple
- Polypropylene closed cap with O-ring seal
- Washer for grease nipple in PE
- NBR bottom seal



FIXING METHOD



GRUB SCREW

Stainless Steel

Article-Number	Series	d	I	A	B	C	D	E	F	H	O
○ 86020 ● 86020B	UCT 204	20	64	99	88	47	76	23,5	12	27,5	46,5
○ 86021 ● 86021B	UCT 205	25	64	99	88	47	76	23,5	12	27,5	46,5
○ 86022 ● 86022B	UCT 206	30	76	125	102	63	90	30,5	12	34,5	60
○ 86023 ● 86023B	UCT 207	35	76	125	102	63	90	30,5	12	34,5	62
○ 86024 ● 86024B	UCT 208	40	140	114	80	102	33,5	16	38,5	70	76

SS ProRun

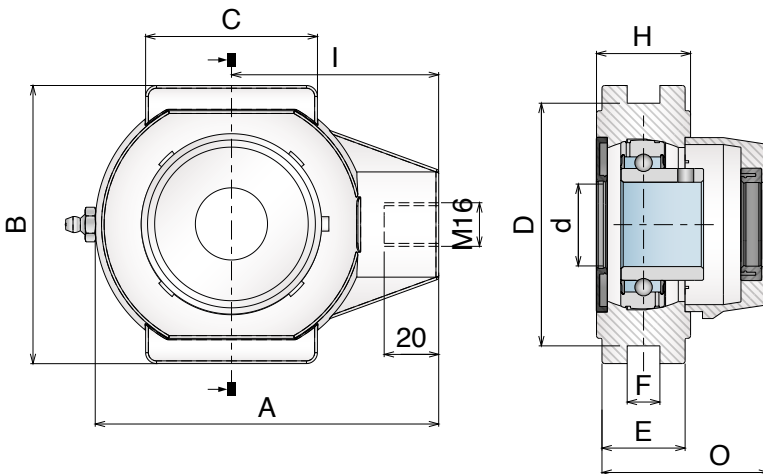
Article-Number	Series	d	I	A	B	C	D	E	F	H	O
○ 86020L ● 86020BL	UCT 204	20	64	99	88	47	76	23,5	12	27,5	46,5
○ 86021L ● 86021BL	UCT 205	25	64	99	88	47	76	23,5	12	27,5	46,5
○ 86022L ● 86022BL	UCT 206	30	76	125	102	63	90	30,5	12	34,5	60
○ 86023L ● 86023BL	UCT 207	35	76	125	102	63	90	30,5	12	34,5	62
○ 86024L ● 86024BL	UCT 208	40	140	114	80	102	33,5	16	38,5	70	76

UCT Grub screw

Watertight bearings - solid version

Main features:

- Housing made of additive-enhanced PBT for improved thermal expansion resistance and working temperature
- Stainless steel ball bearing (pre-lubricated)
- Stainless steel mounting hole spacers
- Stainless steel grease nipple
- Polypropylene open cap with O-ring seal & NBR top seal
- Washer for grease nipple in PE
- NBR bottom seal



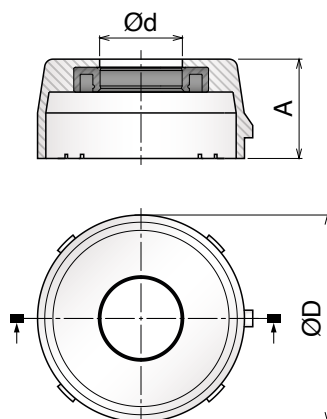
FIXING METHOD



Stainless Steel		Series	d	I	A	B	C	D	E	F	H	O
○ 86030	● 86030B	UCT 204	20	64	99	88	47	76	23,5	12	27,5	46,5
○ 86031	● 86031B	UCT 205	25	64	99	88	47	76	23,5	12	27,5	46,5
○ 86032	● 86032B	UCT 206	30	76	125	102	63	90	30,5	12	34,5	60
○ 86033	● 86033B	UCT 207	35	76	125	102	63	90	30,5	12	34,5	62
○ 86034	● 86034B	UCT 208	40	140	114	80	102	33,5	16	38,5	70	76

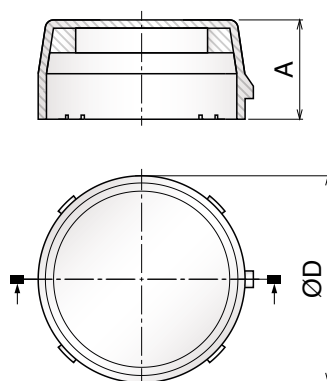
SS ProRun		Series	d	I	A	B	C	D	E	F	H	O
○ 86030L	● 86030BL	UCT 204	20	64	99	88	47	76	23,5	12	27,5	46,5
○ 86031L	● 86031BL	UCT 205	25	64	99	88	47	76	23,5	12	27,5	46,5
○ 86032L	● 86032BL	UCT 206	30	76	125	102	63	90	30,5	12	34,5	60
○ 86033L	● 86033BL	UCT 207	35	76	125	102	63	90	30,5	12	34,5	62
○ 86034L	● 86034BL	UCT 208	40	140	114	80	102	33,5	16	38,5	70	76

898 Coperchio di sicurezza aperto / Open clip-on safety cap / Offene Schutzkappe



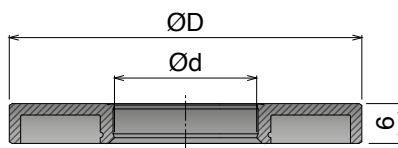
Color / Article - Nr.	ØD	Ød	A	Series
○ 89851	50	20	23	204
● 89851B	50	20	23	
○ 89852	55	25	25	205
● 89852B	55	25	25	
○ 89853	64	30	30	206
● 89853B	64	30	30	
○ 89854	73	35	32	207
● 89854B	73	35	32	
○ 89855	84	40	38	208
● 89855B	84	40	38	

898 Coperchio di sicurezza chiuso / Closed clip-on safety cap / Geschlossene Schutzkappe



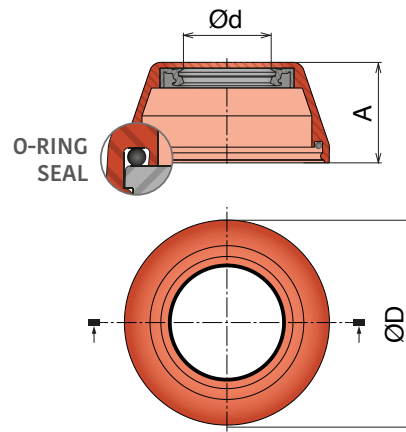
Color / Article - Nr.	ØD	A	Series
○ 89801	50	23	204
● 89801B	50	23	
○ 89802	55	25	205
● 89802B	55	25	
○ 89803	64	30	206
● 89803B	64	30	
○ 89804	73	32	207
● 89804B	73	32	
○ 89805	84	38	208
● 89805B	84	38	

897 Anello di tenuta igienico / Hygienic ealing ring / Dichtringe



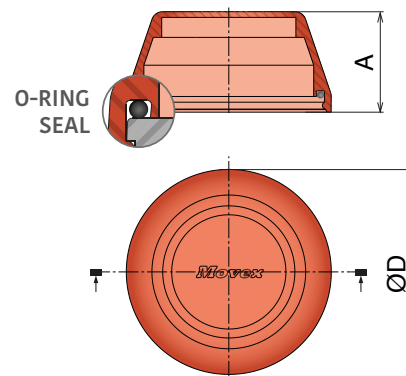
Color / Article - Nr.	ØD	Ød	Series
● 89701	52	20	204
● 89701B	52	20	
● 89702	62	25	205
● 89702B	62	25	
● 89703	72	30	206
● 89703B	72	30	
● 89704	82	35	207
● 89704B	82	35	
● 89705	88	40	208
● 89705B	88	40	

890 Coperchio di sicurezza aperto / Open clip-on safety cap / Offene Schutzkappe



Article - Nr.	Ød	ØD	A
89054-20	20	59	31
89051-20	20	68	29
89051-25	25	68	29
89055-25	25	71	35.2
89055-30	30	71	35.2
89052-30	30	79	35
89053-35	35	90	40
89053-40	40	90	40

890 Coperchio di sicurezza chiuso / Closed clip-on safety cap / Geschlossene Schutzkappe



Article - Nr.	ØD	A
89004	59	31
89001	68	29
89005	71	35.2
89002	79	35
89003	90	40



Movex[®]
OFFICIAL UK PARTNER

Oadby Conveyors

Oadby Conveyors
68 Scudamore Road
Braunstone Frith Ind. Est.
Leicester
LE3 1UA

0116 232 4848
convteam@oadbyplastics.co.uk

Head Office

Oadby Plastics Ltd
68 Scudamore Road
Braunstone Frith Ind. Est.
Leicester
LE3 1UA

0116 232 1010
sales@oadbyplastics.co.uk

For further information and specification details please visit our comprehensive website. Due to a policy of continual product development, Oadby Conveyors reserves the right to alter any of the specifications given in the publication without prior notice. The specification must be checked with Oadby Conveyors prior to manufacture. For this reason no responsibility or liability for accuracy is accepted by Oadby Conveyors.

Company registration No. 03542957 | www.oadbyconveyors.co.uk



Certificate Number 8147
ISO 9001, ISO 14001