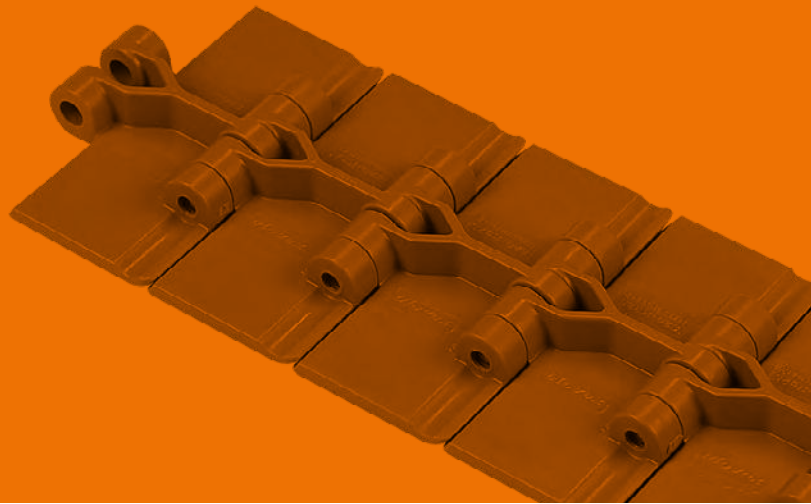
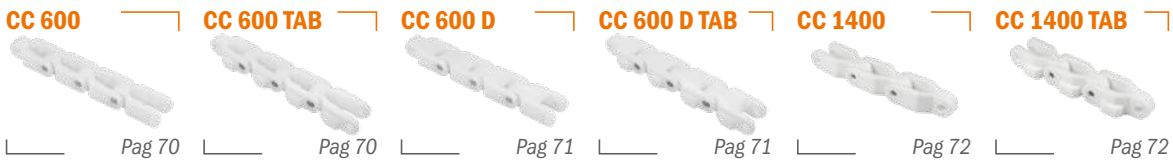
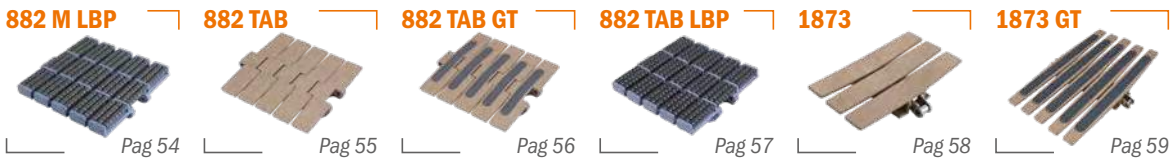
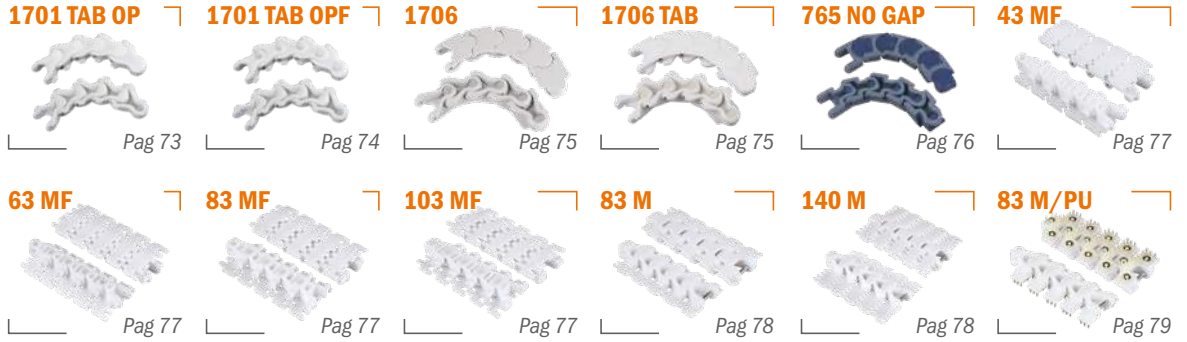


# 62



## Plastic chains





# PFX

**The best choice for dry running applications.**

**PFX** is a plastic compound developed specific for chain and belts in order to run with limited lubrication or in dry applications where the demands are extreme concerning speed, performance & efficiency.

**PFX** material is developed to reduce the friction between chain and product as well as chain and wearstrips even if no lubrication is used.

## Plastic chains available:

**820 FT**



**828 FT**



**880 M**



**880 TAB**



### Low friction

Developed to reduce friction between chain product and wearstrip.



### Minimal dusting

Developed to avoid dusting under extreme circumstances.



### Food contact Certified

PFX material is suitable in food application.



### High performance

Longer wear life leads to excellent and long enduring product handling features.



### Control of cost

Better control of total cost and sustainable conveyor technology.



### Patented material

PFX is an exclusive product of Movex.

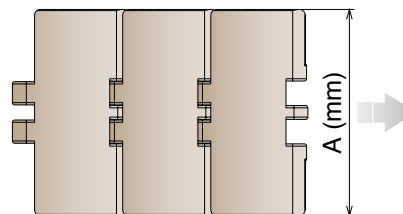
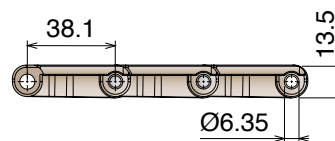
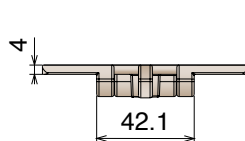
Other different types of product in PFX are on request.

# 820

## Catena rettilinea Straight running chain / Geradegängige Scharnierbandkette

Delivery: **Easy** **Standard**

Pins: Stainless Steel | Backflex radius min.: 50 mm



80 links



88-89-98/108



pg. 516-&gt;524

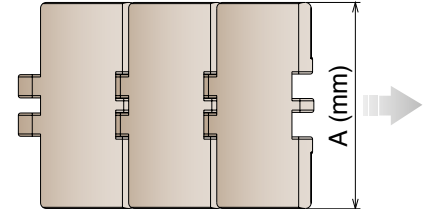
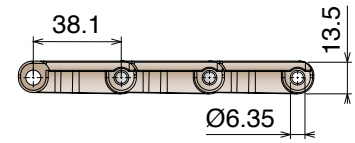
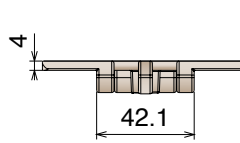
| Article-Nr.  | Ref.         | A (Plate Width) mm | Weight kg/m | Max working load N | Material |
|--|--------------|--------------------|-------------|--------------------|----------|
|  11010102   | LF 820 K325  | 82,5               | 0,89        | 1625               | LF       |
| 11010103   | LF 820 K330  | 83,8               | 0,90        |                    |          |
| 11010104   | LF 820 K350  | 88,9               | 0,91        |                    |          |
|  11010114 | LF 820 K400  | 101,6              | 0,95        |                    |          |
|  11010105 | LF 820 K450  | 114,3              | 1,00        |                    |          |
|  11010106 | LF 820 K600  | 152,4              | 1,22        |                    |          |
|  11010107 | LF 820 K750  | 190,5              | 1,43        |                    |          |
|  11010302 | MX 820 K325  | 82,5               | 0,89        | 1260               | MX       |
| 11010303   | MX 820 K330  | 83,8               | 0,90        |                    |          |
| 11010304   | MX 820 K350  | 88,9               | 0,91        |                    |          |
| 11010314   | MX 820 K400  | 101,6              | 0,95        |                    |          |
| 11010305   | MX 820 K450  | 114,3              | 1,00        |                    |          |
| 11010306   | MX 820 K600  | 152,4              | 1,22        |                    |          |
| 11010307   | MX 820 K750  | 190,5              | 1,43        |                    |          |
| 11013002   | PFX 820 K325 | 82,5               | 0,89        | 1260               | PFX      |
| 11013003   | PFX 820 K330 | 83,8               | 0,90        |                    |          |
| 11013004   | PFX 820 K350 | 88,9               | 0,91        |                    |          |
| 11013014   | PFX 820 K400 | 101,6              | 0,95        |                    |          |
| 11013005   | PFX 820 K450 | 114,3              | 1,00        |                    |          |
| 11013006   | PFX 820 K600 | 152,4              | 1,22        |                    |          |
| 11013007   | PFX 820 K750 | 190,5              | 1,43        |                    |          |

# 820

Catena rettilinea  
Straight running chain / Geradegängige Scharnierbandkette

Delivery: **Easy** **Standard**

Pins: Stainless Steel | Backflex radius min.: 50 mm



80 links



88-89-98/108



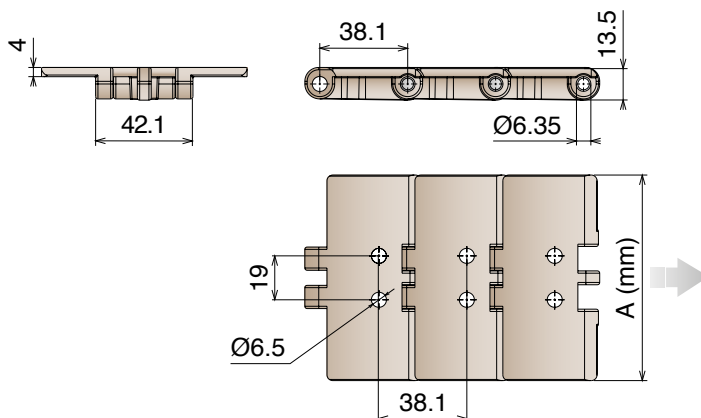
pg. 516-&gt;524

| Article-Nr. | Ref.         | A (Plate Width) mm | Weight kg/m | Max working load N | Material |
|-------------|--------------|--------------------|-------------|--------------------|----------|
| 11012502    | MPX 820 K325 | 82,5               | 0,89        | 1625               | MPX      |
| 11012503    | MPX 820 K330 | 83,8               | 0,90        |                    |          |
| 11012504    | MPX 820 K350 | 88,9               | 0,91        |                    |          |
| 11012514    | MPX 820 K400 | 101,6              | 0,95        |                    |          |
| 11012505    | MPX 820 K450 | 114,3              | 1,00        |                    |          |
| 11012506    | MPX 820 K600 | 152,4              | 1,22        |                    |          |
| 11012507    | MPX 820 K750 | 190,5              | 1,43        |                    |          |
| 11011602    | DKM 820 K325 | 82,5               | 0,89        | 1625               | DKM      |
| 11011603    | DKM 820 K330 | 83,8               | 0,90        |                    |          |
| 11011604    | DKM 820 K350 | 88,9               | 0,91        |                    |          |
| 11011614    | DKM 820 K400 | 101,6              | 0,95        |                    |          |
| 11011605    | DKM 820 K450 | 114,3              | 1,00        |                    |          |
| 11011606    | DKM 820 K600 | 152,4              | 1,22        |                    |          |
| 11011607    | DKM 820 K750 | 190,5              | 1,43        |                    |          |
| 11011702    | MWX 820 K325 | 82,5               | 0,89        | 1625               | MWX      |
| 11011703    | MWX 820 K330 | 83,8               | 0,90        |                    |          |
| 11011704    | MWX 820 K350 | 88,9               | 0,91        |                    |          |
| 11011714    | MWX 820 K400 | 101,6              | 0,95        |                    |          |
| 11011705    | MWX 820 K450 | 114,3              | 1,00        |                    |          |
| 11011706    | MWX 820 K600 | 152,4              | 1,22        |                    |          |
| 11011707    | MWX 820 K750 | 190,5              | 1,43        |                    |          |

## 820 V

Catena rettilinea  
Straight running chain / Geradegängige Scharnierbandkette

Pins: Stainless Steel | Backflex radius min.: 50 mm

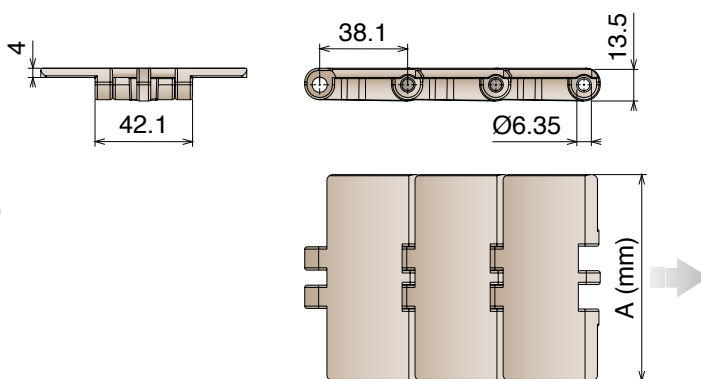


| Article-Nr. | Ref.           | A (Plate Width) mm | Weight kg/m | Max working load N | Material |
|-------------|----------------|--------------------|-------------|--------------------|----------|
| 11550102    | LF 820 V2 K325 | 82,5               | 0,89        | 1625               | LF       |
| 11550105    | LF 820 V2 K450 | 114,3              | 1,00        |                    |          |

## 820 Plastic pin

Catena rettilinea con perno in plastica  
Straight running chain with plastic pin / Geradegängige Scharnierbandkette mit plastic bolzen

Pins: Reinforced acetal resin | Backflex radius min.: 50 mm



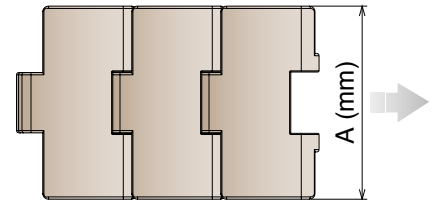
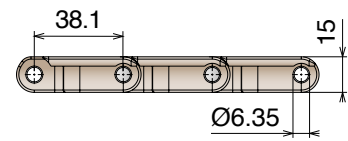
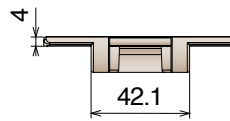
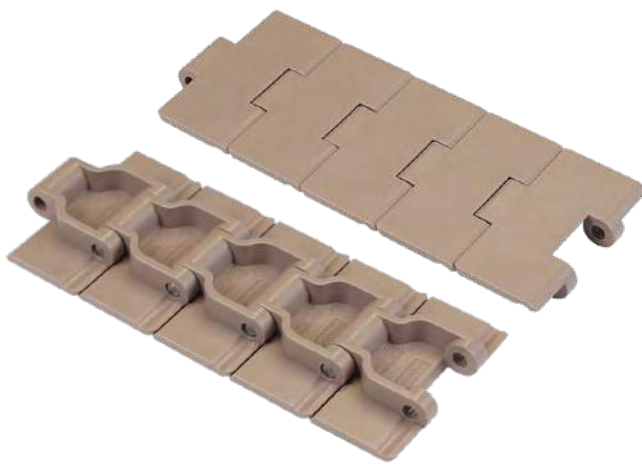
| Article-Nr. | Ref.        | A (Plate Width) mm | Weight kg/m | Max working load N | Material |
|-------------|-------------|--------------------|-------------|--------------------|----------|
| 11630102    | LF 820 K325 | 82,5               | 0,69        | 650                | LF       |
| 11630105    | LF 820 K450 | 114,3              | 0,80        |                    |          |

# 828

Catena rettilinea  
Straight running chain / Geradegängige Scharnierbandkette

Delivery: **Easy** **Standard**

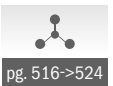
Pins: Stainless Steel | Backflex radius min.: 50 mm



80 links



pg. 92-93/108



pg. 516-&gt;524

| Article-Nr. | Ref.         | A (Plate Width) mm | Weight kg/m | Max working load N | Material |
|-------------|--------------|--------------------|-------------|--------------------|----------|
| 11020102    | LF 828 K325  | 82,5               | 1,07        | 2320               | LF       |
| 11020103    | LF 828 K330  | 83,8               | 1,13        |                    |          |
| 11020302    | MX 828 K325  | 82,5               | 1,07        | 1860               | MX       |
| 11020303    | MX 828 K330  | 83,8               | 1,13        |                    |          |
| 11023002    | PFX 828 K325 | 82,5               | 1,07        | 1860               | PFX      |
| 11023003    | PFX 828 K330 | 83,8               | 1,13        |                    |          |
| 11022502    | MPX 828 K325 | 82,5               | 1,07        | 2320               | MPX      |
| 11022503    | MPX 828 K330 | 83,8               | 1,13        |                    |          |

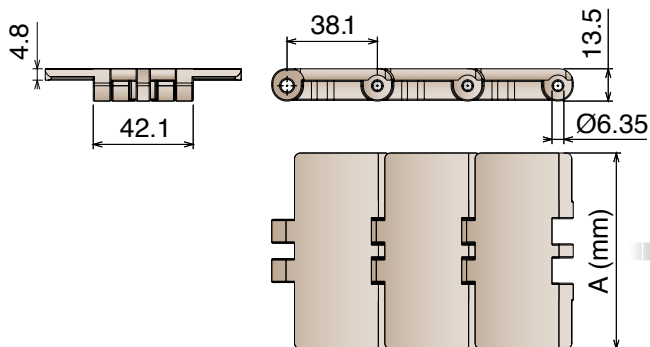


# 831

Catena rettilinea  
Straight running chain / Geradegängige Scharnierbandkette

Delivery: **Easy** **Standard**

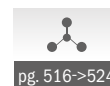
Pins: Stainless Steel | Backflex radius min.: 50 mm



80 links



pg. 90-91/108



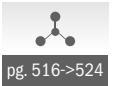
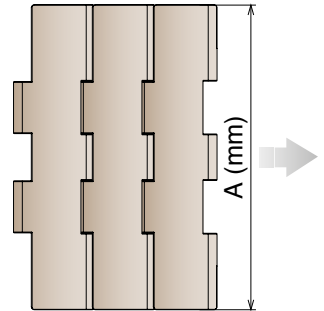
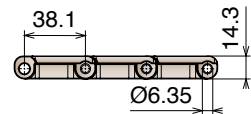
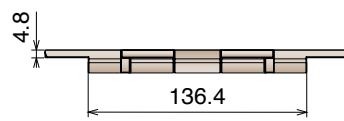
pg. 516-&gt;524

| Article-Nr.     | Ref.               | A (Plate Width) mm | Weight kg/m | Max working load N | Material |
|-----------------|--------------------|--------------------|-------------|--------------------|----------|
| <b>11030102</b> | <b>LF 831 K325</b> | 82,5               | 1,00        | 1625               | LF       |
| <b>11030105</b> | <b>LF 831 K450</b> | 114,3              | 1,28        |                    |          |
| <b>11030107</b> | <b>LF 831 K750</b> | 190,5              | 1,80        |                    |          |
| <b>11030302</b> | <b>MX 831 K325</b> | 82,5               | 1,00        | 1260               | MX       |
| <b>11030305</b> | <b>MX 831 K450</b> | 114,3              | 1,28        |                    |          |
| <b>11030307</b> | <b>MX 831 K750</b> | 190,5              | 1,80        |                    |          |

## 821 Catena rettilinea Straight running chain / Geradegängige Scharnierbandkette

Delivery: **Easy** **Standard**

Pins: Stainless Steel | Backflex radius min.: 50 mm



| Article-Nr.   | Ref.          | A (Plate Width) mm | Weight kg/m | Max working load N | Material |
|---|---------------|--------------------|-------------|--------------------|----------|
|  11040107 | LF 821 K750   | 190,5              | 2,55        | 2770               | LF       |
|  11040108 | LF 821 K1000  | 254,0              | 3,05        |                    |          |
|  11040109 | LF 821 K1200  | 304,8              | 3,35        |                    |          |
| 11040307  | MX 821 K750   | 190,5              | 2,55        | 2200               | MX       |
| 11040308  | MX 821 K1000  | 254,0              | 3,05        |                    |          |
| 11040309  | MX 821 K1200  | 304,8              | 3,35        |                    |          |
| 11042507  | MPX 821 K750  | 190,5              | 2,55        | 2770               | MPX      |
| 11042508  | MPX 821 K1000 | 254,0              | 3,05        |                    |          |
| 11042509  | MPX 821 K1200 | 304,8              | 3,35        |                    |          |

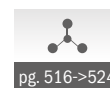
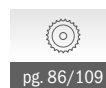
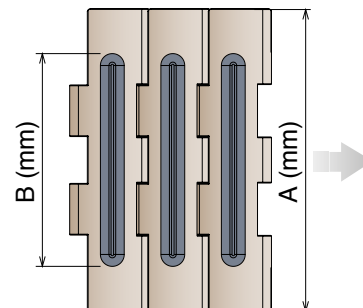
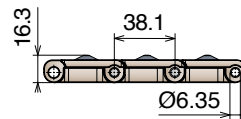
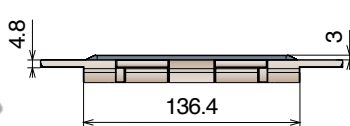


## 821 GT

Catena rettilinea  
Straight running chain / Geradegängige Scharnierbandkette

Delivery: **Easy** **Standard**

Pins: Stainless Steel | Backflex radius min.: 50 mm | TPE Rubber: 75 ShA



| Article-Nr. | Ref.            | A (Plate Width) mm | B (Rubber Width) mm | Weight kg/m | Max working load N | Material |
|-------------|-----------------|--------------------|---------------------|-------------|--------------------|----------|
| 11050107    | LF 821 GT K750  | 190,5              | 134,0               | 2,55        | 2770               | LF       |
| 11050108    | LF 821 GT K1000 | 254,0              | 192,0               | 3,05        |                    |          |
| 11050109    | LF 821 GT K1200 | 304,8              | 252,0               | 3,35        |                    |          |
| 11050307    | MX 821 GT K750  | 190,5              | 134,0               | 2,55        | 2200               | MX       |
| 11050308    | MX 821 GT K1000 | 254,0              | 192,0               | 3,05        |                    |          |
| 11050309    | MX 821 GT K1200 | 304,8              | 252,0               | 3,35        |                    |          |

# 821 LBP

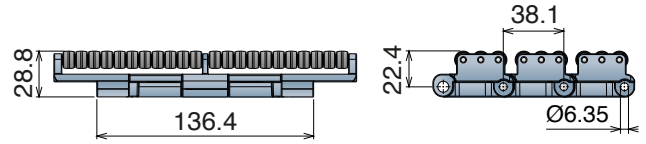
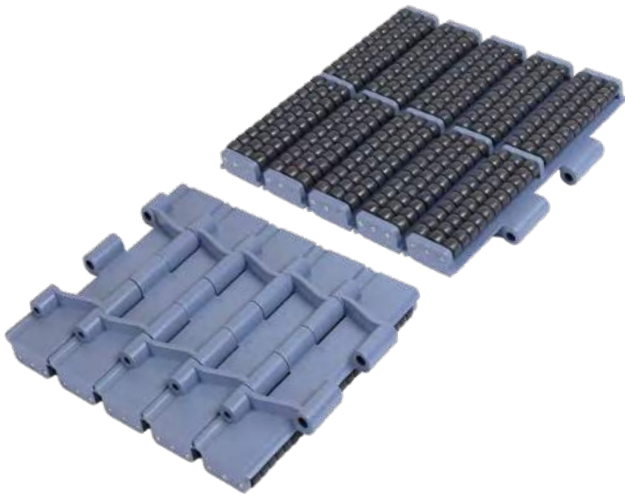
Catene in plastica / Plastic chains / Scharnierbandketten aus Kunststoff

## 821 LBP

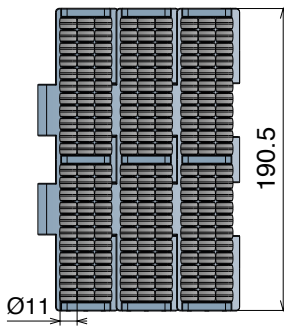
Catena rettilinea  
Straight running chain / Geradegängige Scharnierbandkette

Delivery: **Easy** **Standard**

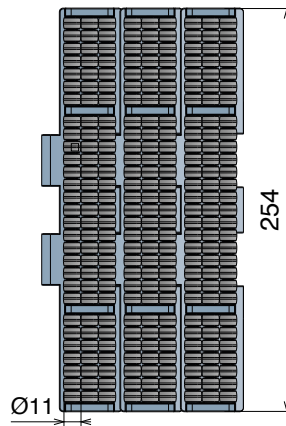
Pins: Stainless Steel | Backflex radius min.: 150 mm



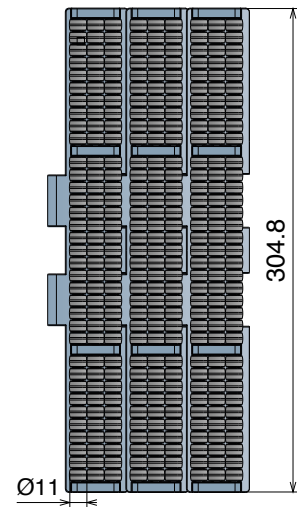
### K750



### K1000



### K1200



5 feet  
1.524 m  
40 links

pg. 86/109

pg. 516->524

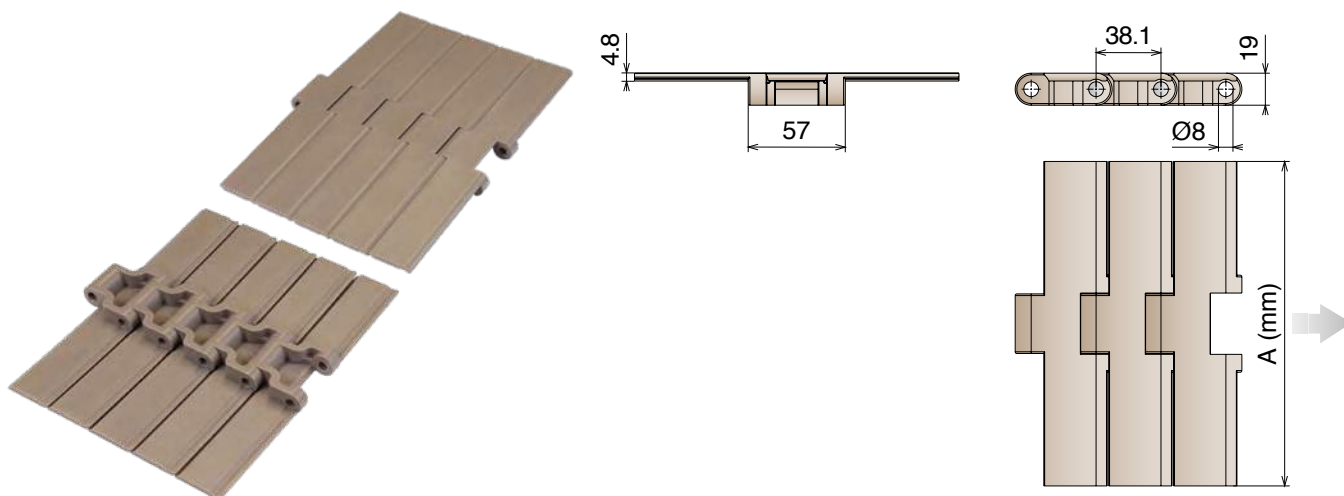
| Article-Nr. | Ref.              | Plate Width mm | Weight kg/m | Max working load N | Material |
|-------------|-------------------|----------------|-------------|--------------------|----------|
| 11060107    | LFA 821 LBP K750  | 190,5          | 5,70        | 2770               | LFA      |
| 11060108    | LFA 821 LBP K1000 | 254,0          | 7,05        |                    |          |
| 11060109    | LFA 821 LBP K1200 | 304,8          | 8,21        |                    |          |

# 8257

Catena rettilinea  
Straight running chain / Geradegängige Scharnierbandkette

Delivery: **Easy** **Standard**

Pins: Stainless Steel | Backflex radius min.: 50 mm

10 feet  
3.048 m

pg. 94-95/110



pg. 516-&gt;524

80 links

| Article-Nr. | Ref.          | A (Plate Width)<br>mm | Weight<br>kg/m | Max working load<br>N | Material |
|-------------|---------------|-----------------------|----------------|-----------------------|----------|
| 11070107    | LF 8257 K750  | 190,5                 | 2,55           | 3830                  | LF       |
| 11070108    | LF 8257 K1000 | 254,0                 | 3,05           |                       |          |
| 11070109    | LF 8257 K1200 | 304,8                 | 3,35           |                       |          |
| 11070307    | MX 8257 K750  | 190,5                 | 2,55           | 3050                  | MX       |
| 11070308    | MX 8257 K1000 | 254,0                 | 3,05           |                       |          |
| 11070309    | MX 8257 K1200 | 304,8                 | 3,35           |                       |          |

# 8257 GT

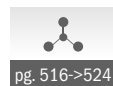
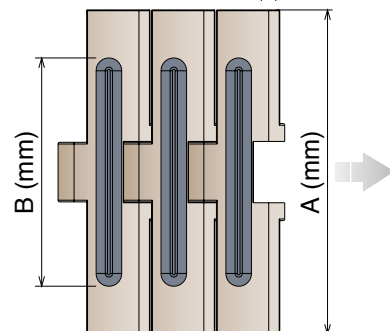
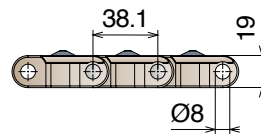
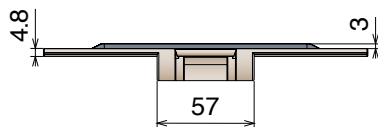
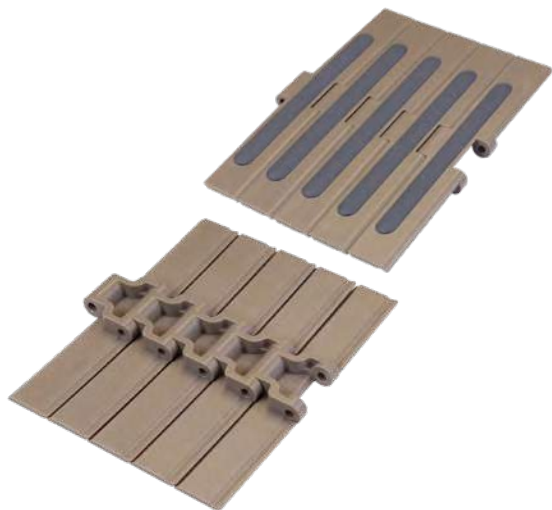
Catene in plastica / Plastic chains / Scharnierbandketten aus Kunststoff

## 8257 GT

Catena rettilinea  
Straight running chain / Geradegängige Scharnierbandkette

Delivery: **Easy** **Standard**

Pins: Stainless Steel | Backflex radius min.: 50 mm | TPE Rubber: 75 ShA



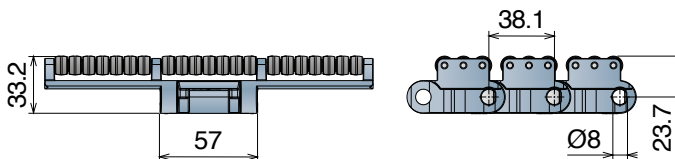
| Article-Nr. | Ref.             | A (Plate Width) mm | B (Rubber Width) mm | Weight kg/m | Max working load N | Material |
|-------------|------------------|--------------------|---------------------|-------------|--------------------|----------|
| 11080107    | LF 8257 GT K750  | 190,5              | 134,0               | 2,55        | 3830               | LF       |
| 11080108    | LF 8257 GT K1000 | 254,0              | 192,0               | 2,60        |                    |          |
| 11080109    | LF 8257 GT K1200 | 304,8              | 252,0               | 2,95        |                    |          |

## 8257 LBP

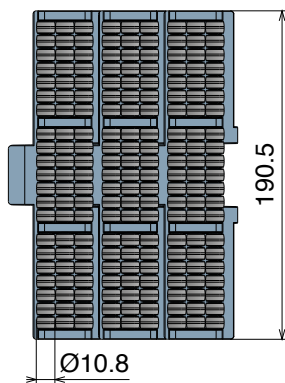
Catena rettilinea  
Straight running chain / Geradegängige Scharnierbandkette

Delivery: **Easy** Standard

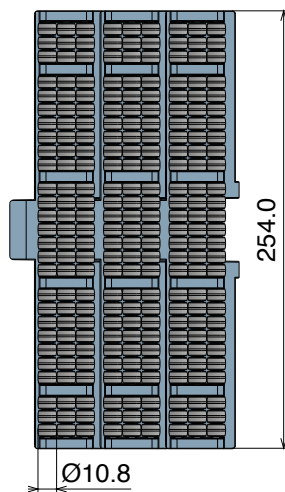
Pins: Stainless Steel | Backflex radius min.: 200 mm



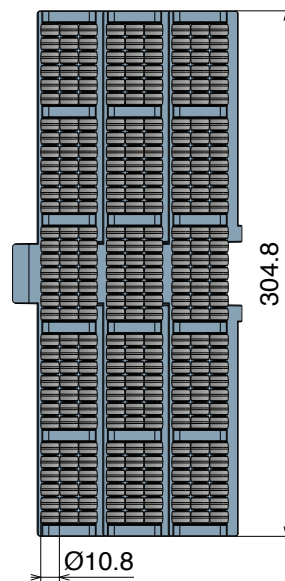
### K750



### K1000



### K1200



|                   |               |              |
|-------------------|---------------|--------------|
| 5 feet<br>1.524 m | pg. 94-95/110 | pg. 516->524 |
| 40 links          |               |              |

| Article-Nr. | Ref.               | A (Plate Width) mm | Weight kg/m | Max working load N | Material |
|-------------|--------------------|--------------------|-------------|--------------------|----------|
| 11090107    | LFA 8257 LBP K750  | 190,5              | 5,65        | 3830               | LFA      |
| 11090108    | LFA 8257 LBP K1000 | 254,0              | 7,16        |                    |          |
| 11090109    | LFA 8257 LBP K1200 | 304,8              | 8,05        |                    |          |

# 878 TAB

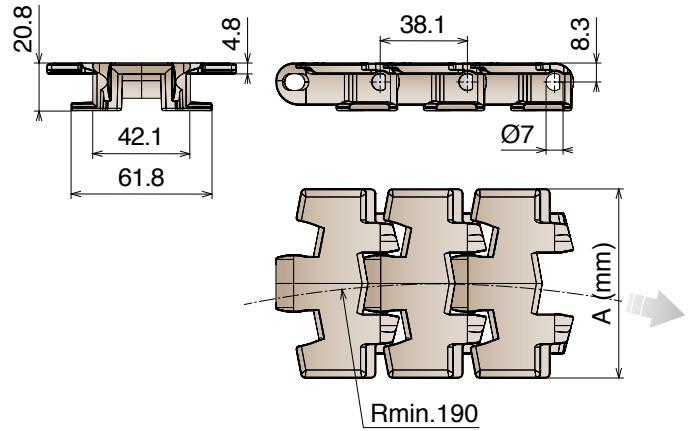
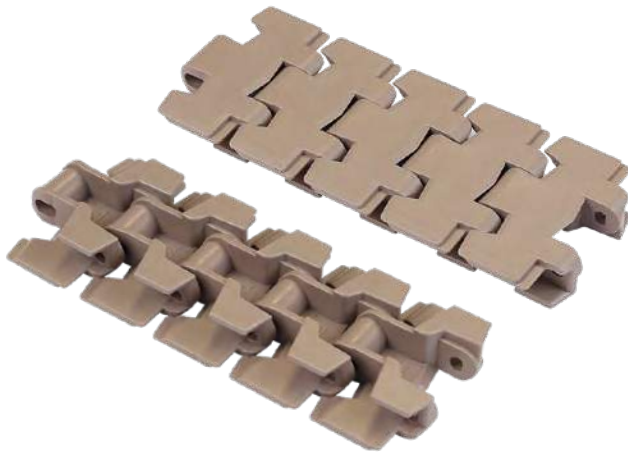
Catene in plastica / Plastic chains / Scharnierbandketten aus Kunststoff

## 878 TAB

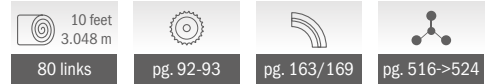
Catena curvilinea  
Sideflexing chain / Kurvengängige Scharnierbandkette

Delivery: **Easy** **Standard**

Pins: Stainless Steel | Backflex radius min.: 40 mm



### Tab System

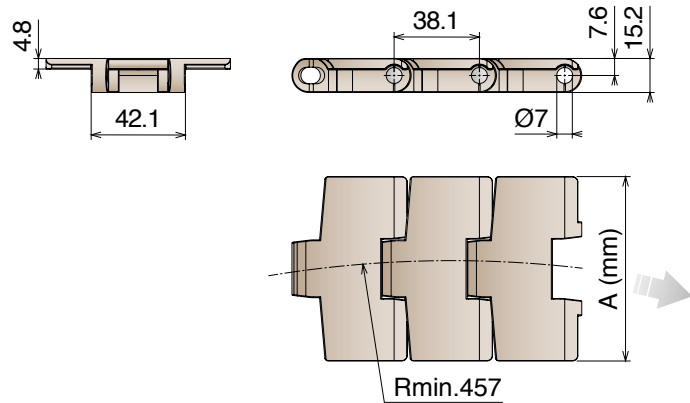


| Article-Nr. | Ref.             | A (Plate Width)<br>mm | Weight<br>kg/m | Max working load<br>N | Material |
|-------------|------------------|-----------------------|----------------|-----------------------|----------|
| 11190102    | LF 878 TAB K325  | 82,5                  | 1,06           | 2200                  | LF       |
| 11190105    | LF 878 TAB K450  | 114,3                 | 1,18           |                       |          |
| 11190302    | MX 878 TAB K325  | 82,5                  | 1,06           | 1750                  | MX       |
| 11190305    | MX 878 TAB K450  | 114,3                 | 1,18           |                       |          |
| 11191602    | DKM 878 TAB K325 | 82,5                  | 1,06           | 2200                  | DKM      |
| 11191605    | DKM 878 TAB K450 | 114,3                 | 1,18           |                       |          |

## 879 M Catena curvilinea Sideflexing chain / Kurvengängige Scharnierbandkette

Delivery: **Easy** **Standard**

Pins: Ferritic Stainless Steel | Backflex radius min.: 50 mm



### Magnetic System

10 feet  
3.048 m  
80 links

pg. 92-93/108

pg. 115->128

pg. 516->524

| Article-Nr. | Ref.          | A (Plate Width)<br>mm | R<br>mm | Weight<br>kg/m | Max working load<br>N | Material |
|-------------|---------------|-----------------------|---------|----------------|-----------------------|----------|
| 11240102    | LF 879 M K325 | 82,5                  | 457     | 1,05           | 2200                  | LF       |
| 11240105    | LF 879 M K450 | 114,3                 | 457     | 1,15           |                       |          |
| 11240302    | MX 879 M K325 | 82,5                  | 457     | 1,05           | 1750                  | MX       |
| 11240305    | MX 879 M K450 | 114,3                 | 457     | 1,15           |                       |          |

# 879 TAB

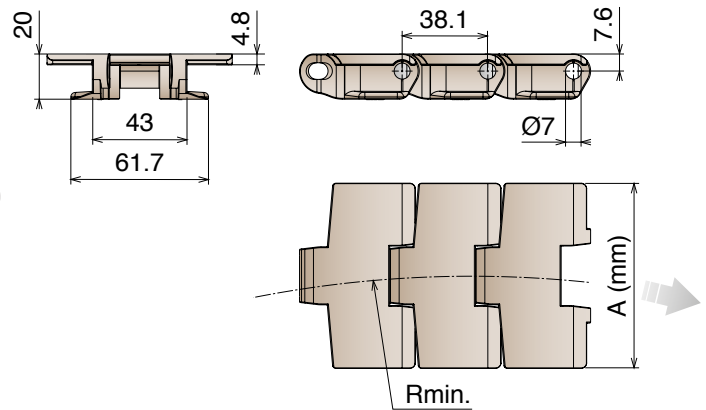
Catene in plastica / Plastic chains / Scharnierbandketten aus Kunststoff

## 879 TAB

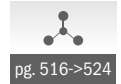
Catena curvilinea  
Sideflexing chain / Kurvengängige Scharnierbandkette

Delivery: **Easy** Standard

Pins: Stainless Steel | Backflex radius min.: 50 mm



### Tab System



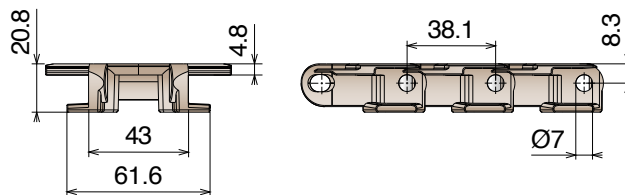
| Article-Nr.     | Ref.                    | A (Plate Width)<br>mm | R<br>mm | Weight<br>kg/m | Max working load<br>N | Material |
|-----------------|-------------------------|-----------------------|---------|----------------|-----------------------|----------|
| <b>11250102</b> | <b>LF 879 TAB K325</b>  | 82,5                  | 457     | 1,01           | 2200                  | LF       |
| <b>11250105</b> | <b>LF 879 TAB K450</b>  | 114,3                 | 610     | 1,13           |                       |          |
| <b>11250302</b> | <b>MX 879 TAB K325</b>  | 82,5                  | 457     | 1,01           | 1750                  | MX       |
| <b>11250305</b> | <b>MX 879 TAB K450</b>  | 114,3                 | 610     | 1,13           |                       |          |
| <b>11252502</b> | <b>MPX 879 TAB K325</b> | 82,5                  | 457     | 1,01           | 2200                  | MPX      |
| <b>11252505</b> | <b>MPX 879 TAB K450</b> | 114,3                 | 610     | 1,13           |                       |          |
| <b>11251702</b> | <b>MWX 879 TAB K325</b> | 82,5                  | 457     | 1,01           | 2200                  | MWX      |
| <b>11251705</b> | <b>MWX 879 TAB K450</b> | 114,3                 | 610     | 1,13           |                       |          |



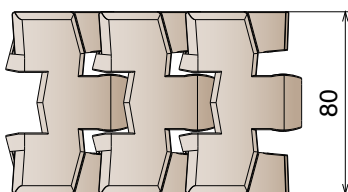
888

Catena curvilinea  
Sideflexing chain / Kurvengängige Scharnierbandkette

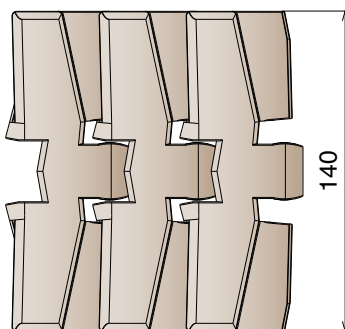
Pins: Stainless Steel | Backflex radius min.: 40 mm



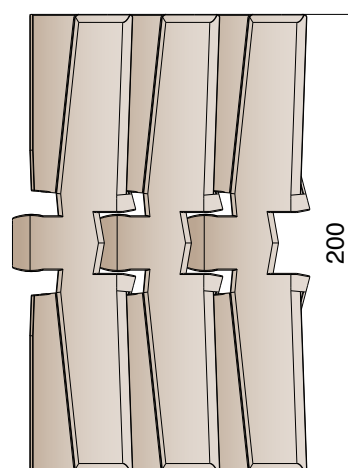
W80



W140



W200



Tab System

10 feet / 3.048 m | 80 links | pg. 92-93 | pg. 163/169 | pg. 516->524

| Article-Nr. | Ref.        | Plate Width mm | R mm | Weight kg/m | Max working load N | Material |
|-------------|-------------|----------------|------|-------------|--------------------|----------|
| 11700119    | LF 888 W80  | 80,0           | 200  | 1,05        | 2200               | LF       |
| 11700120    | LF 888 W140 | 140,0          | 500  | 1,32        |                    |          |
| 11700121    | LF 888 W200 | 200,0          | 500  | 1,62        |                    |          |

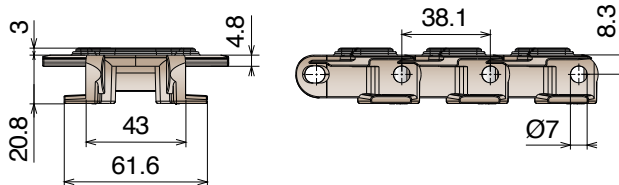
# 888 GT

Catene in plastica / Plastic chains / Scharnierbandketten aus Kunststoff

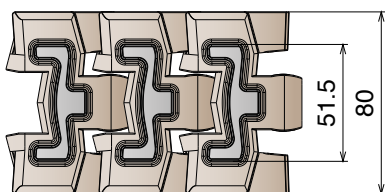
## 888 GT

Catena curvilinea  
Sideflexing chain / Kurvengängige Scharnierbandkette

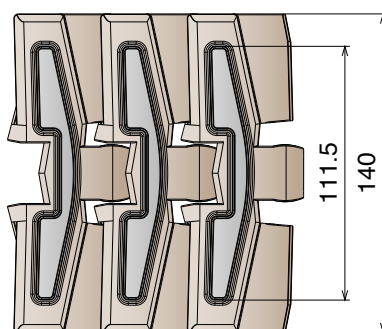
Pins: Stainless Steel | Backflex radius min.: 40 mm | TPE Rubber: 75 ShA



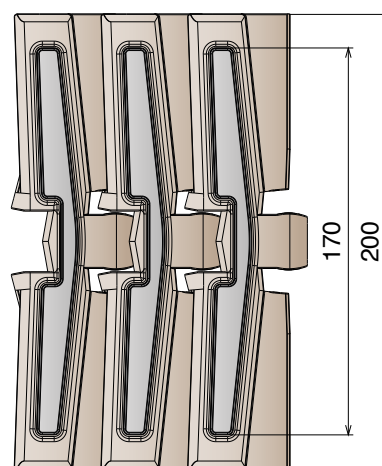
W80



W140



W200



### Tab System

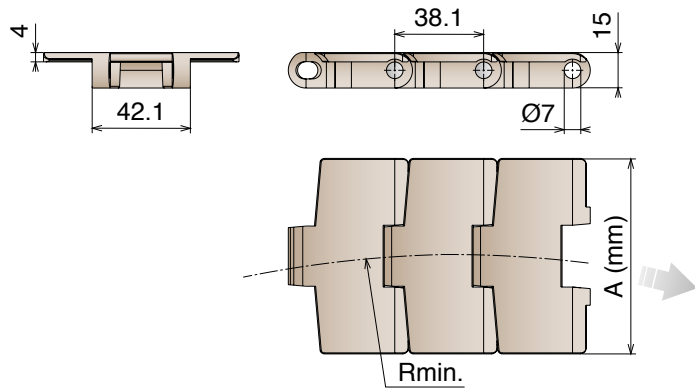
|                    |           |             |              |
|--------------------|-----------|-------------|--------------|
| 10 feet<br>3,048 m |           |             |              |
| 80 links           | pg. 92-93 | pg. 163/169 | pg. 516->524 |

| Article-Nr. | Ref.           | Plate Width mm | R mm | Weight kg/m | Max working load N | Material |
|-------------|----------------|----------------|------|-------------|--------------------|----------|
| 11710119    | LF 888 GT W80  | 80,0           | 200  | 1,15        | 2200               | LF       |
| 11710120    | LF 888 GT W140 | 140,0          | 500  | 1,43        |                    |          |
| 11710121    | LF 888 GT W200 | 200,0          | 500  | 1,75        |                    |          |

## 880 M Catena curvilinea Sideflexing chain / Kurvengängige Scharnierbandkette

Delivery: **Easy** **Standard**

Pins: Ferritic Stainless Steel | Backflex radius min.: 50 mm







### Magnetic System

10 feet  
3.048 m  
80 links

pg. 92-93/108

pg. 115>130

pg. 516->524

| Article-Nr.  | Ref.           | A (Plate Width) mm | R mm | Weight kg/m | Max working load N | Material |
|--|----------------|--------------------|------|-------------|--------------------|----------|
|  11100102  | LF 880 M K325  | 82,5               | 457  | 1,05        | 2200               | LF       |
| 11100103   | LF 880 M K330  | 83,8               | 457  | 1,09        |                    |          |
|  11100105 | LF 880 M K450  | 114,3              | 457  | 1,15        |                    |          |
|  11100302 | MX 880 M K325  | 82,5               | 457  | 1,05        | 1750               | MX       |
|  11100303 | MX 880 M K330  | 83,8               | 457  | 1,09        |                    |          |
| 11100305   | MX 880 M K450  | 114,3              | 457  | 1,15        |                    |          |
| 11103002   | PFX 880 M K325 | 82,5               | 457  | 1,05        | 1750               | PFX      |
| 11103003   | PFX 880 M K330 | 83,8               | 457  | 1,09        |                    |          |
| 11103005   | PFX 880 M K450 | 114,3              | 457  | 1,15        |                    |          |
| 11102502   | MPX 880 M K325 | 82,5               | 457  | 1,05        | 2200               | MPX      |
| 11102503   | MPX 880 M K330 | 83,8               | 457  | 1,09        |                    |          |
| 11102505   | MPX 880 M K450 | 114,3              | 457  | 1,15        |                    |          |
| 11101702   | MWX 880 M K325 | 82,5               | 457  | 1,05        | 2200               | MWX      |
| 11101703   | MWX 880 M K330 | 83,8               | 457  | 1,09        |                    |          |
| 11101705   | MWX 880 M K450 | 114,3              | 457  | 1,15        |                    |          |

# 880 TAB

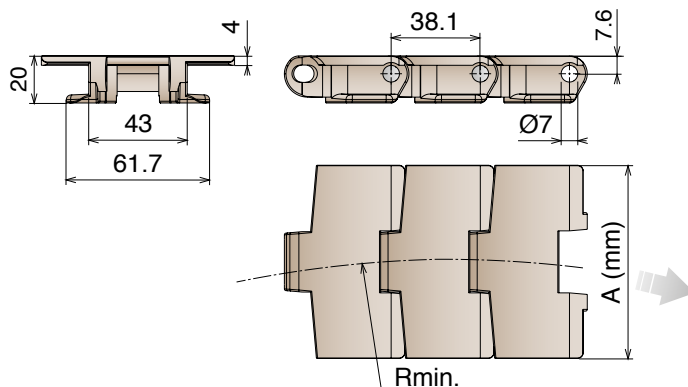
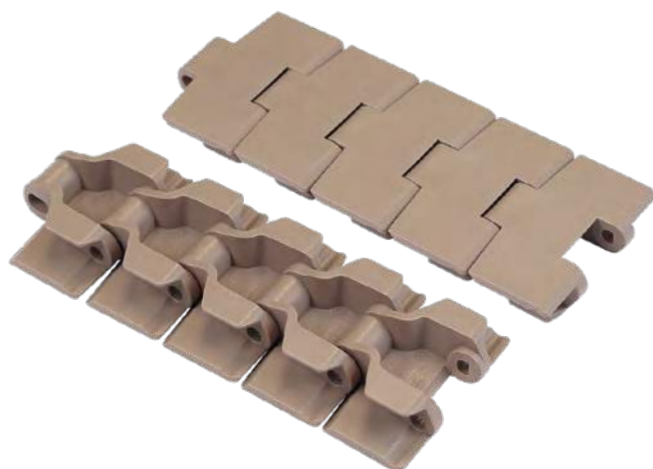
Catene in plastica / Plastic chains / Scharnierbandketten aus Kunststoff

## 880 TAB

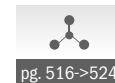
Catena curvilinea  
Sideflexing chain / Kurvengängige Scharnierbandkette


Delivery: **Easy** **Standard**

Pins: Stainless Steel | Backflex radius min.: 40 mm



### Tab System



| Article-Nr.   | Ref.             | A (Plate Width) mm | R mm | Weight kg/m | Max working load N | Material |
|---|------------------|--------------------|------|-------------|--------------------|----------|
|  11110102  | LF 880 TAB K325  | 82,5               | 457  | 1,015       | 2200               | LF       |
| 11110103  | LF 880 TAB K330  | 83,8               | 457  | 1,018       |                    |          |
| 11110105  | LF 880 TAB K450  | 114,3              | 457  | 1,09        |                    |          |
|  11110302 | MX 880 TAB K325  | 82,5               | 457  | 1,015       | 1750               | MX       |
| 11110303  | MX 880 TAB K330  | 83,8               | 457  | 1,018       |                    |          |
| 11110305  | MX 880 TAB K450  | 114,3              | 457  | 1,09        |                    |          |
| 11113002  | PFX 880 TAB K325 | 82,5               | 457  | 1,015       | 1750               | PFX      |
| 11113003  | PFX 880 TAB K330 | 83,8               | 457  | 1,018       |                    |          |
| 11113005  | PFX 880 TAB K450 | 114,3              | 457  | 1,09        |                    |          |
| 11112502  | MPX 880 TAB K325 | 82,5               | 457  | 1,015       | 2200               | MPX      |
| 11112503  | MPX 880 TAB K330 | 83,8               | 457  | 1,018       |                    |          |
| 11112505  | MPX 880 TAB K450 | 114,3              | 457  | 1,09        |                    |          |
| 11111602  | DKM 880 TAB K325 | 82,5               | 457  | 1,015       | 2200               | DKM      |
| 11111603  | DKM 880 TAB K330 | 83,8               | 457  | 1,018       |                    |          |
| 11111605  | DKM 880 TAB K450 | 114,3              | 457  | 1,09        |                    |          |
| 11111702  | MWX 880 TAB K325 | 82,5               | 457  | 1,015       | 2200               | MWX      |
| 11111703  | MWX 880 TAB K330 | 83,8               | 457  | 1,018       |                    |          |
| 11111705  | MWX 880 TAB K450 | 114,3              | 457  | 1,09        |                    |          |

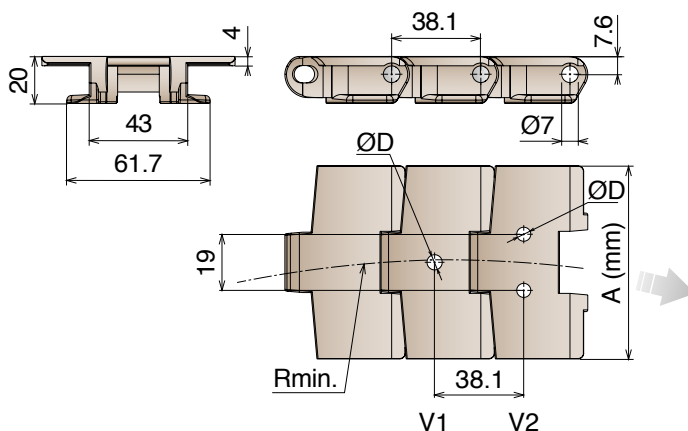
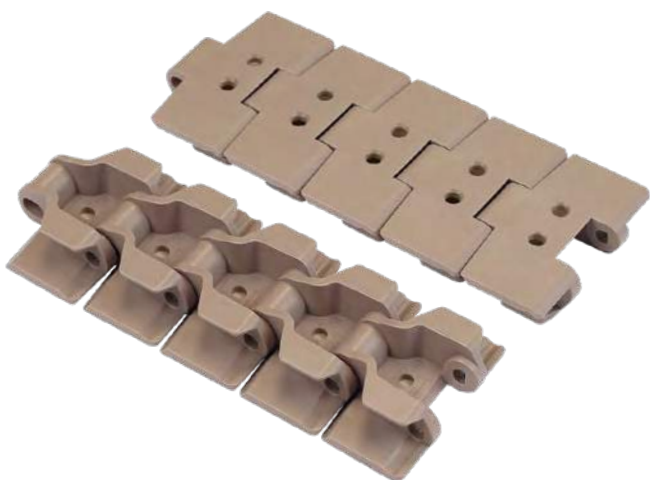
# 880 V TAB-880 TAB Plastic pin

Catene in plastica / Plastic chains / Scharnierbandketten aus Kunststoff

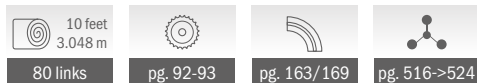
## 880 V TAB

Catena curvilinea  
Sideflexing chain / Kurvengängige Scharnierbandkette

Pins: Stainless Steel | Backflex radius min.: 40 mm



### Tab System

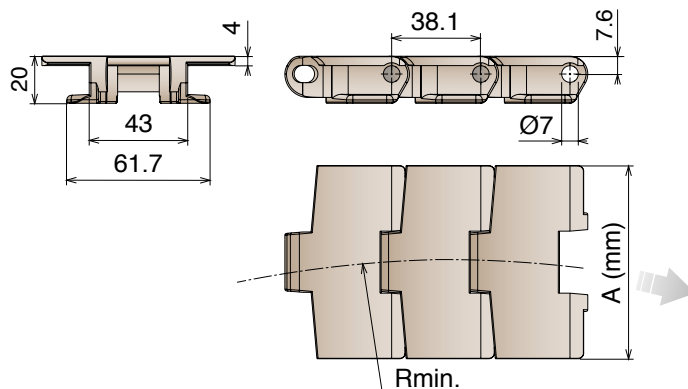
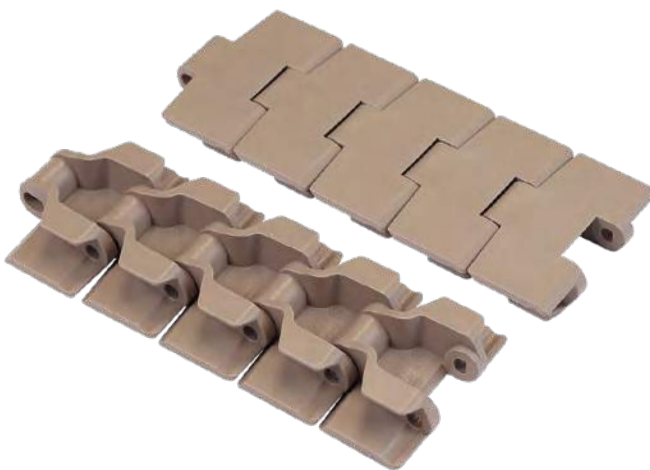


| Article-Nr. | Ref.           | A (Plate Width) mm | R mm | Weight kg/m | D mm | Max working load N | Material |
|-------------|----------------|--------------------|------|-------------|------|--------------------|----------|
| 11560102    | LF 880 V1 K325 | 82,5               | 457  | 1,015       |      | 2200               | LF       |
| 11570102    | LF 880 V2 K325 | 82,5               | 457  | 1,015       | 6,5  |                    |          |
| 11570105    | LF 880 V2 K450 | 114,3              | 457  | 1,09        |      |                    |          |

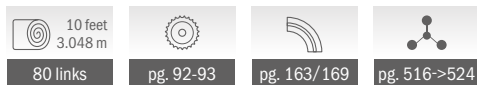
## 880 TAB Plastic pin

Catena curvilinea con perno in plastica  
Sideflexing chain with plastic pin / Kurvengängige Scharnierbandkette mit plastic bolzen

Pins: Reinforced acetal resin | Backflex radius min.: 40 mm



### Tab System



| Article-Nr. | Ref.            | A (Plate Width) mm | R mm | Weight kg/m | Max working load N | Material |
|-------------|-----------------|--------------------|------|-------------|--------------------|----------|
| 11660102    | LF 880 TAB K325 | 82,5               | 457  | 0,815       | 550                | LF       |
| 11660105    | LF 880 TAB K450 | 114,3              | 457  | 0,89        |                    |          |

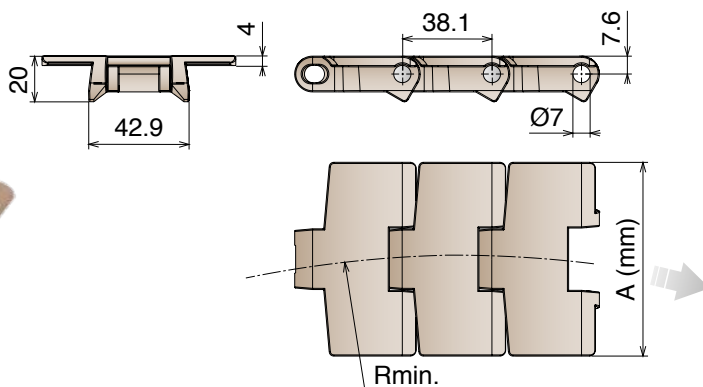
# 880 B

Catene in plastica / Plastic chains / Scharnierbandketten aus Kunststoff

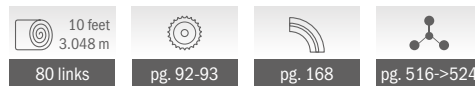
## 880 B Catena curvilinea Sideflexing chain / Kurvengängige Scharnierbandkette

Delivery: **Easy** **Standard**

Pins: Stainless Steel | Backflex radius min.: 40 mm



### Bevel System



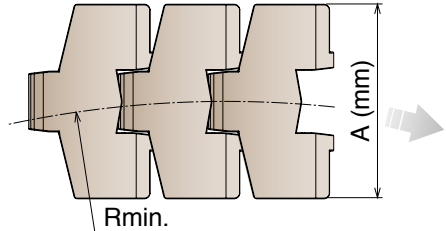
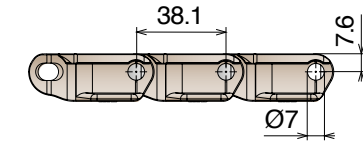
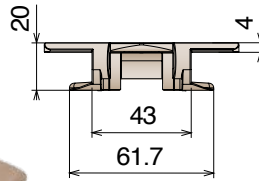
| Article-Nr. | Ref.          | A (Plate Width)<br>mm | R<br>mm | Weight<br>kg/m | Max working load<br>N | Material |
|-------------|---------------|-----------------------|---------|----------------|-----------------------|----------|
| 11120102    | LF 880 B K325 | 82,5                  | 457     | 0,89           | 2200                  | LF       |
| 11120104    | LF 880 B K350 | 88,9                  | 457     | 0,93           |                       |          |
| 11120105    | LF 880 B K450 | 114,3                 | 457     | 1,05           |                       |          |
| 11120302    | MX 880 B K325 | 82,5                  | 457     | 0,89           | 1750                  | MX       |
| 11120304    | MX 880 B K350 | 88,9                  | 457     | 0,93           |                       |          |
| 11120305    | MX 880 B K450 | 114,3                 | 457     | 1,05           |                       |          |

## 880 TAB BO

Catena curvilinea  
Sideflexing chain / Kurvengängige Scharnierbandkette

Delivery: **Easy** **Standard**

Pins: Stainless Steel | Backflex radius min.: 40 mm



### Tab System

10 feet  
3.048 m  
80 links

pg. 92-93

pg. 163/169

pg. 516->524

| Article-Nr.     | Ref.                      | A (Plate Width)<br>mm | R<br>mm | Weight<br>kg/m | Max working load<br>N | Material |
|-----------------|---------------------------|-----------------------|---------|----------------|-----------------------|----------|
| <b>11260102</b> | <b>LF 880 TAB BO K325</b> | 82,5                  | 190     | 0,96           | 1680                  | LF       |
| <b>11260105</b> | <b>LF 880 TAB BO K450</b> | 114,3                 | 190     | 1,10           |                       |          |
| <b>11260302</b> | <b>MX 880 TAB BO K325</b> | 82,5                  | 190     | 0,96           | 1350                  | MX       |
| <b>11260305</b> | <b>MX 880 TAB BO K450</b> | 114,3                 | 190     | 1,10           |                       |          |

# 882 M

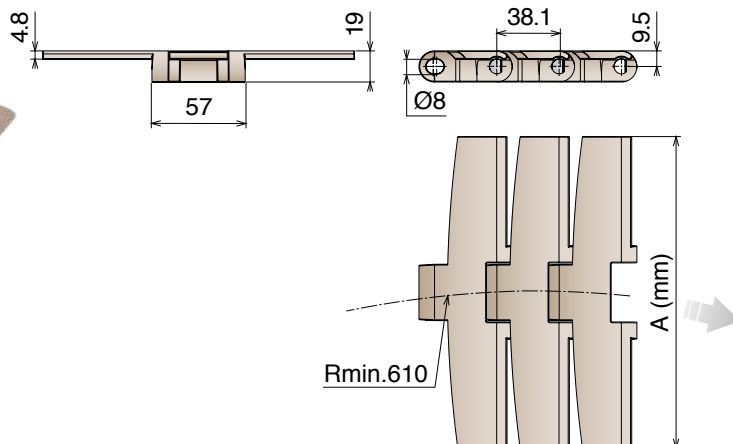
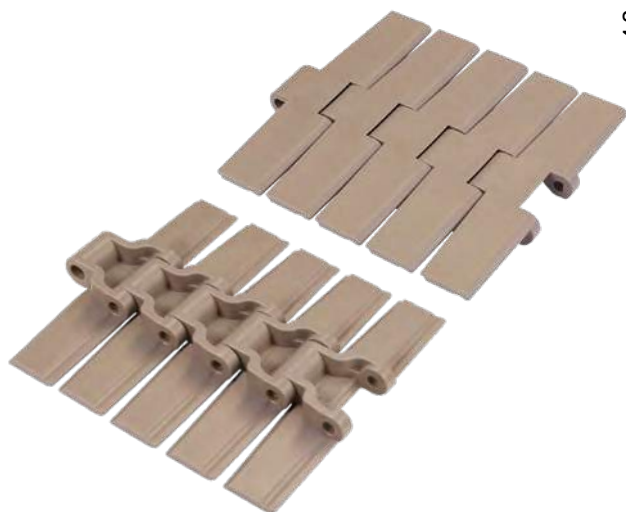
Catene in plastica / Plastic chains / Scharnierbandketten aus Kunststoff

## 882 M

Catena curvilinea  
Sideflexing chain / Kurvengängige Scharnierbandkette

Delivery: **Easy** Standard

Pins: Ferritic Stainless Steel | Backflex radius min.: 50 mm



### Magnetic System



10 feet  
3.048 m

80 links



pg. 94-95/110



pg. 131->136



pg. 516->524

| Article-Nr. | Ref.           | A (Plate Width)<br>mm | Weight<br>kg/m | Max working load<br>N | Material |
|-------------|----------------|-----------------------|----------------|-----------------------|----------|
| 11130107    | LF 882 M K750  | 190,5                 | 2,14           | 3830                  | LF       |
| 11130108    | LF 882 M K1000 | 254,0                 | 2,45           |                       |          |
| 11130109    | LF 882 M K1200 | 304,8                 | 2,68           |                       |          |
| 11130307    | MX 882 M K750  | 190,5                 | 2,14           | 3050                  | MX       |
| 11130308    | MX 882 M K1000 | 254,0                 | 2,45           |                       |          |
| 11130309    | MX 882 M K1200 | 304,8                 | 2,68           |                       |          |

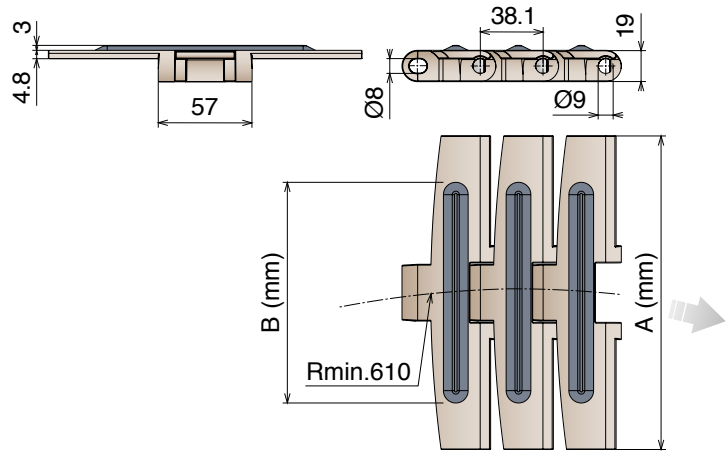
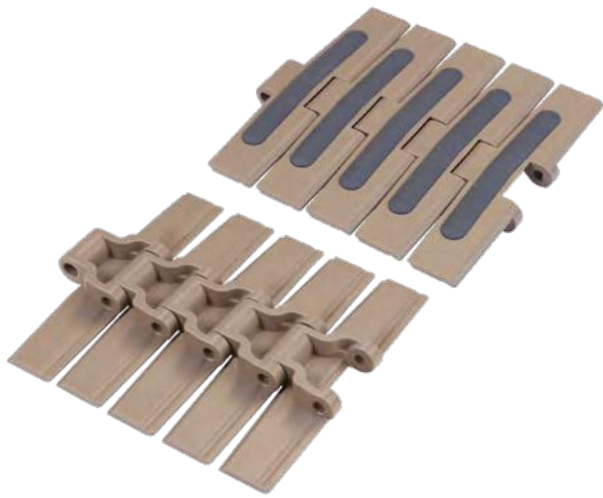


## 882 M GT

Catena curvilinea  
Sideflexing chain / Kurvengängige Scharnierbandkette

Delivery: **Easy** **Standard**

Pins: Ferritic Stainless Steel | Backflex radius min.: 50 mm | TPE Rubber: 75 ShA



### Magnetic System

5 feet  
1.524 m  
40 links

pg. 94-95/110

pg. 131->136

pg. 516->524

| Article-Nr. | Ref.              | A (Plate Width)<br>mm | B (Rubber Width)<br>mm | Weight<br>kg/ m | Max working load<br>N | Material |
|-------------|-------------------|-----------------------|------------------------|-----------------|-----------------------|----------|
| 11150107    | LF 882 M GT K750  | 190,5                 | 134,0                  | 2,10            | 3830                  | LF       |
| 11150108    | LF 882 M GT K1000 | 254,0                 | 197,0                  | 2,45            |                       |          |
| 11150109    | LF 882 M GT K1200 | 304,8                 | 249,0                  | 2,74            |                       |          |

# 882 M LBP

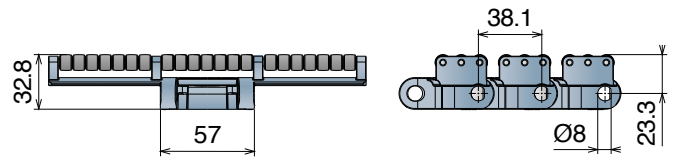
Catene in plastica / Plastic chains / Scharnierbandketten aus Kunststoff

## 882 M LBP

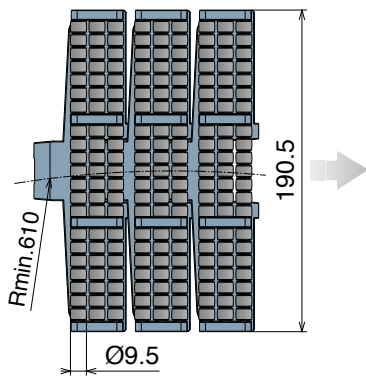
Catena curvilinea  
Sideflexing chain / Kurvengängige Scharnierbandkette

Delivery: **Easy** **Standard**

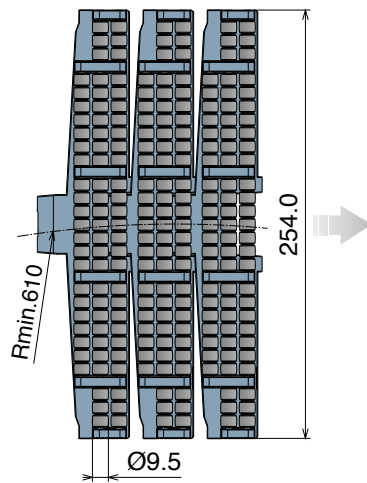
Pins: Ferritic Stainless Steel | Backflex radius min.: 150 mm



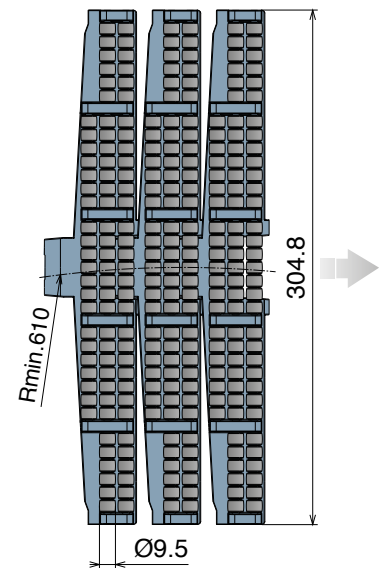
**K750**



**K1000**



**K1200**



### Magnetic System

|                   |               |              |              |
|-------------------|---------------|--------------|--------------|
| 5 feet<br>1.524 m |               |              |              |
| 40 links          | pg. 94-95/110 | pg. 137->140 | pg. 516->524 |

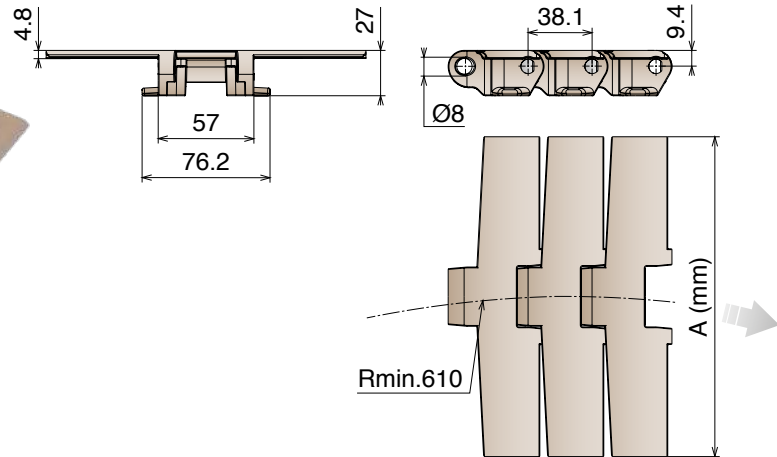
| Article-Nr. | Ref.                | A (Plate Width) mm | Weight kg/m | Max working load N | Material |
|-------------|---------------------|--------------------|-------------|--------------------|----------|
| 11170107    | LFA 882 M LBP K750  | 190,5              | 3,92        | 3830               | LFA      |
| 11170108    | LFA 882 M LBP K1000 | 254,0              | 4,94        |                    |          |
| 11170109    | LFA 882 M LBP K1200 | 304,8              | 5,82        |                    |          |

## 882 TAB

Catena curvilinea  
Sideflexing chain / Kurvengängige Scharnierbandkette

Delivery: **Easy** **Standard**

Pins: Stainless Steel | Backflex radius min.: 40 mm



### Tab System

10 feet  
3.048 m  
80 links

pg. 94-95/110

pg. 164/169

pg. 516->524

| Article-Nr. | Ref.              | A (Plate Width) mm | Weight kg/m | Max working load N | Material |
|-------------|-------------------|--------------------|-------------|--------------------|----------|
| 11140105    | LF 882 TAB K450   | 114,3              | 2,05        | 3830               | LF       |
| 11140106    | LF 882 TAB K600   | 152,4              | 2,20        |                    |          |
| 11140107    | LF 882 TAB K750   | 190,5              | 2,45        |                    |          |
| 11140108    | LF 882 TAB K1000  | 254,0              | 2,85        |                    |          |
| 11140109    | LF 882 TAB K1200  | 304,8              | 3,40        |                    |          |
| 11140305    | MX 882 TAB K450   | 114,3              | 2,05        | 3050               | MX       |
| 11140306    | MX 882 TAB K600   | 152,4              | 2,20        |                    |          |
| 11140307    | MX 882 TAB K750   | 190,5              | 2,45        |                    |          |
| 11140308    | MX 882 TAB K1000  | 254,0              | 2,85        |                    |          |
| 11140309    | MX 882 TAB K1200  | 304,8              | 3,40        |                    |          |
| 11142505    | MPX 882 TAB K450  | 114,3              | 2,05        | 3830               | MPX      |
| 11142506    | MPX 882 TAB K600  | 152,4              | 2,20        |                    |          |
| 11142507    | MPX 882 TAB K750  | 190,5              | 2,45        |                    |          |
| 11142508    | MPX 882 TAB K1000 | 254,0              | 2,85        |                    |          |
| 11142509    | MPX 882 TAB K1200 | 304,8              | 3,40        |                    |          |
| 11141705    | MWX 882 TAB K450  | 114,3              | 2,05        | 3830               | MWX      |
| 11141706    | MWX 882 TAB K600  | 152,4              | 2,20        |                    |          |
| 11141707    | MWX 882 TAB K750  | 190,5              | 2,45        |                    |          |
| 11141708    | MWX 882 TAB K1000 | 254,0              | 2,85        |                    |          |
| 11141709    | MWX 882 TAB K1200 | 304,8              | 3,40        |                    |          |

# 882 TAB GT

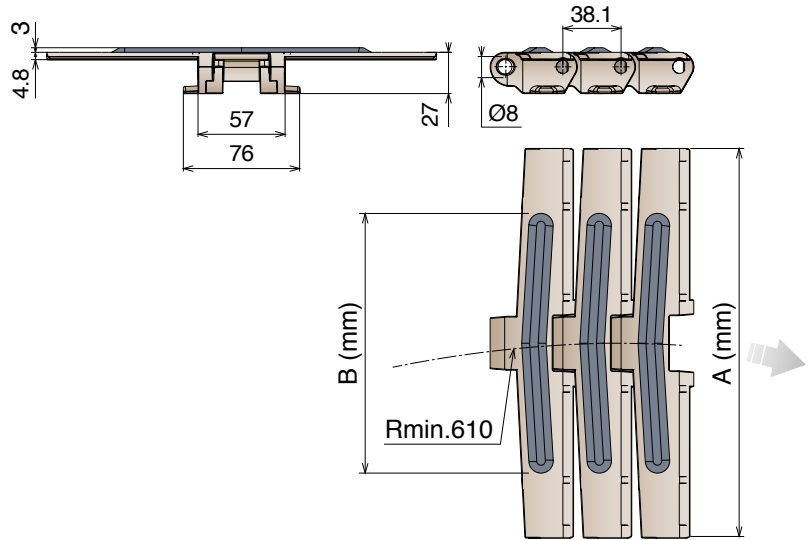
Catene in plastica / Plastic chains / Scharnierbandketten aus Kunststoff

## 882 TAB GT

Catena curvilinea  
Sideflexing chain / Kurvengängige Scharnierbandkette

Delivery: **Easy** Standard

Pins: Stainless Steel | Backflex radius min.: 40 mm | TPE Rubber: 75 ShA



### Tab System

5 feet  
1.524 m  
40 links

pg. 94-95/110

pg. 164/169

pg. 516->524

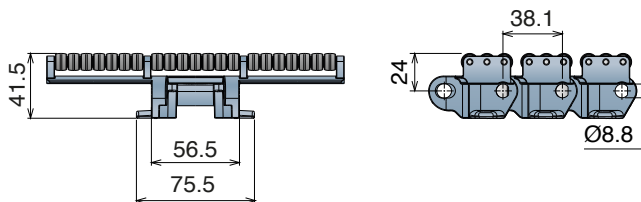
| Article-Nr. | Ref.                | A (Plate Width)<br>mm | B (Rubber Width)<br>mm | Weight<br>kg/m | Max working load<br>N | Material |
|-------------|---------------------|-----------------------|------------------------|----------------|-----------------------|----------|
| 11160107    | LF 882 TAB GT K750  | 190,5                 | 134,0                  | 2,37           | 3830                  | LF       |
| 11160108    | LF 882 TAB GT K1000 | 254,0                 | 197,0                  | 2,67           |                       |          |
| 11160109    | LF 882 TAB GT K1200 | 304,8                 | 249,0                  | 2,92           |                       |          |
| 11160307    | MX 882 TAB GT K750  | 190,5                 | 134,0                  | 2,37           | 3050                  | MX       |
| 11160308    | MX 882 TAB GT K1000 | 254,0                 | 197,0                  | 2,67           |                       |          |
| 11160309    | MX 882 TAB GT K1200 | 304,8                 | 249,0                  | 2,92           |                       |          |

## 882 TAB LBP

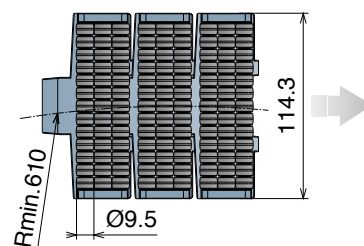
Catena curvilinea  
Sideflexing chain / Kurvengängige Scharnierbandkette

Delivery: **Easy** **Standard**

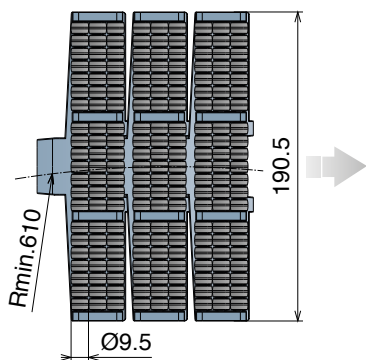
Pins: Stainless Steel | Backflex radius min.: 150 mm



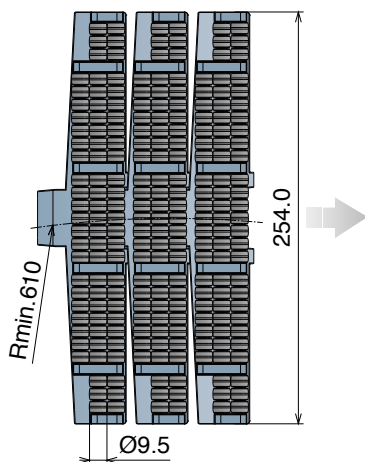
### K450



### K750



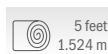
### K1000



### K1200



### Tab System



40 links



pg. 94-95/110



pg. 164/169



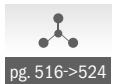
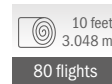
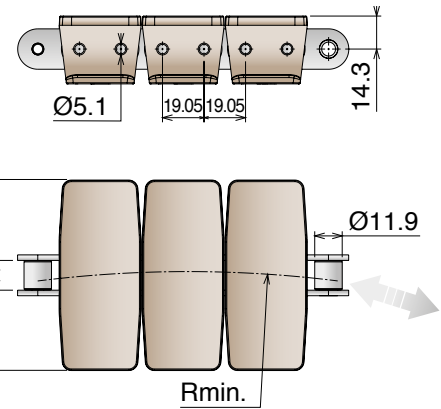
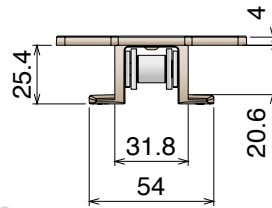
pg. 516->524

| Article-Nr. | Ref.                  | Plate Width mm | Weight kg/m | Max working load N | Material |
|-------------|-----------------------|----------------|-------------|--------------------|----------|
| 11180105    | LFA 882 TAB LBP K450  | 114,3          | 4,00        | 3830               | LFA      |
| 11180107    | LFA 882 TAB LBP K750  | 190,5          | 4,70        |                    |          |
| 11180108    | LFA 882 TAB LBP K1000 | 254,0          | 5,95        |                    |          |
| 11180109    | LFA 882 TAB LBP K1200 | 304,8          | 6,55        |                    |          |

## 1873 Catena curvilinea Sideflexing chain / Kurvengängige Scharnierbandkette

Delivery: **Easy** **Standard**

The stainless steel version is supplied with LONG-LIFE SS roller chain.



### Tab System

Standard length roller chain: 160 Pitches

| Article-Nr. | Chain           | Ref.                     | A (Plate Width) mm | R mm | Weight kg/m | Max working load N | Backflex radius min. mm | Material |
|-------------|-----------------|--------------------------|--------------------|------|-------------|--------------------|-------------------------|----------|
| 11590102    | C45             | <b>LF 1873 TAB K325</b>  | 82,5               | 355  | 2,10        | 4500               | 180                     | LF       |
| 11600102    | Stainless Steel |                          | 82,5               | 355  | 2,10        | 3500               |                         |          |
| 11590105    | C45             | <b>LF 1873 TAB K450</b>  | 114,3              | 355  | 2,30        | 4500               |                         |          |
| 11600105    | Stainless Steel |                          | 114,3              | 355  | 2,30        | 3500               |                         |          |
| 11590106    | C45             | <b>LF 1873 TAB K600</b>  | 152,4              | 457  | 2,40        | 4500               |                         |          |
| 11600106    | Stainless Steel |                          | 152,4              | 457  | 2,40        | 3500               |                         |          |
| 11590107    | C45             | <b>LF 1873 TAB K750</b>  | 190,5              | 457  | 2,60        | 4500               |                         |          |
| 11600107    | Stainless Steel |                          | 190,5              | 457  | 2,60        | 3500               |                         |          |
| 11590108    | C45             | <b>LF 1873 TAB K1000</b> | 254,0              | 457  | 2,80        | 4500               |                         |          |
| 11600108    | Stainless Steel |                          | 254,0              | 457  | 2,80        | 3500               |                         |          |
| 11590109    | C45             | <b>LF 1873 TAB K1200</b> | 304,8              | 457  | 3,00        | 4500               |                         |          |
| 11600109    | Stainless Steel |                          | 304,8              | 457  | 3,00        | 3500               |                         |          |
| 11590302    | C45             | <b>MX 1873 TAB K325</b>  | 82,5               | 355  | 2,10        | 4500               | 180                     | MX       |
| 11600302    | Stainless Steel |                          | 82,5               | 355  | 2,10        | 3500               |                         |          |
| 11590305    | C45             | <b>MX 1873 TAB K450</b>  | 114,3              | 355  | 2,30        | 4500               |                         |          |
| 11600305    | Stainless Steel |                          | 114,3              | 355  | 2,30        | 3500               |                         |          |
| 11590306    | C45             | <b>MX 1873 TAB K600</b>  | 152,4              | 457  | 2,40        | 4500               |                         |          |
| 11600306    | Stainless Steel |                          | 152,4              | 457  | 2,40        | 3500               |                         |          |
| 11590307    | C45             | <b>MX 1873 TAB K750</b>  | 190,5              | 457  | 2,60        | 4500               |                         |          |
| 11600307    | Stainless Steel |                          | 190,5              | 457  | 2,60        | 3500               |                         |          |
| 11590308    | C45             | <b>MX 1873 TAB K1000</b> | 254,0              | 457  | 2,80        | 4500               |                         |          |
| 11600308    | Stainless Steel |                          | 254,0              | 457  | 2,80        | 3500               |                         |          |
| 11590309    | C45             | <b>MX 1873 TAB K1200</b> | 304,8              | 457  | 3,00        | 4500               |                         |          |
| 11600309    | Stainless Steel |                          | 304,8              | 457  | 3,00        | 3500               |                         |          |

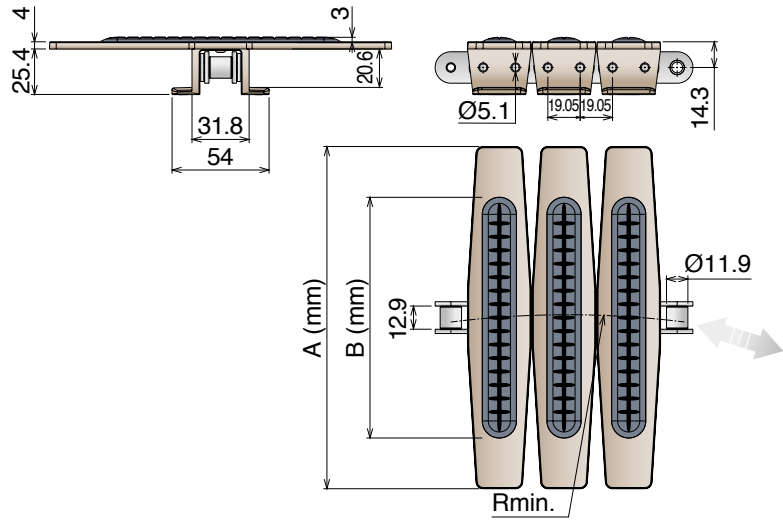
Catene in plastica / Plastic chains / Scharnierbandketten aus Kunststoff

## 1873 GT

Catena curvilinea  
Sideflexing chain / Kurvengängige Scharnierbandkette

Delivery: **Easy** **Standard**

The stainless steel version is supplied with LONG-LIFE SS roller chain. | TPE Rubber: 75 ShA



Standard length roller chain: 160 Pitches

### Tab System

10 feet  
3.048 m  
80 flights

**SPROCKET**  
**ASA 60**  
Standard on market

pg. 165/170

pg. 516->524

| Article-Nr. | Chain           | Ref.                 | A (Plate Width) mm | B (Rubber Width) mm | Weight kg/m | Max working load N | Sideflex radius min. mm | Material |
|-------------|-----------------|----------------------|--------------------|---------------------|-------------|--------------------|-------------------------|----------|
| 11610107    | C45             | LF 1873 GT TAB K750  | 190,5              | 134,0               | 2,60        | 4500               | 457                     | LF       |
| 11620107    | Stainless Steel |                      | 190,5              | 134,0               | 2,60        | 3500               |                         |          |
| 11610108    | C45             | LF 1873 GT TAB K1000 | 254,0              | 192,0               | 2,80        | 4500               |                         |          |
| 11620108    | Stainless Steel |                      | 254,0              | 192,0               | 2,80        | 3500               |                         |          |
| 11610109    | C45             | LF 1873 GT TAB K1200 | 304,8              | 252,0               | 3,00        | 4500               | 457                     |          |
| 11620109    | Stainless Steel |                      | 304,8              | 252,0               | 3,00        | 3500               |                         |          |

# 1873 GRIPPER GS1

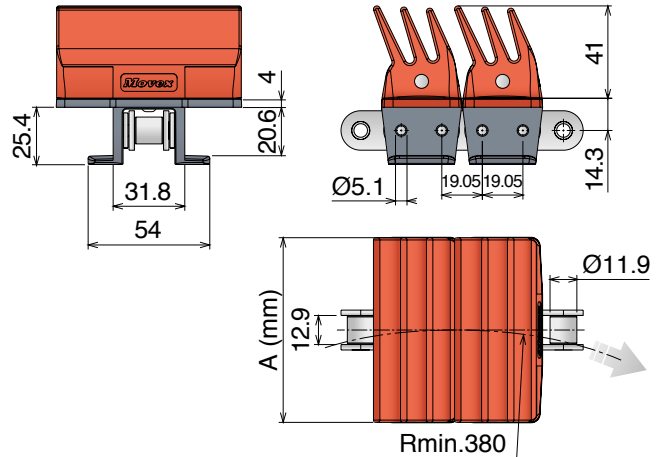
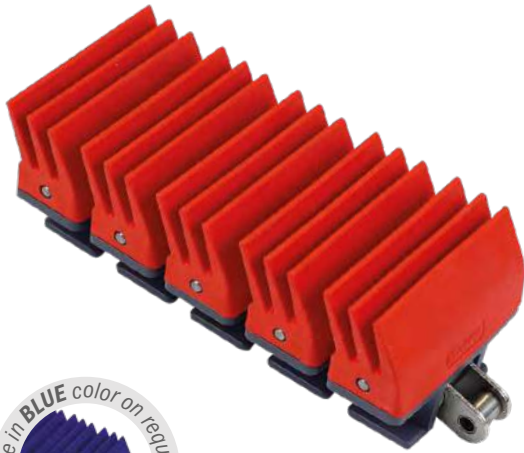
Catene in plastica / Plastic chains / Scharnierbandketten aus Kunststoff

## 1873 GRIPPER GS1

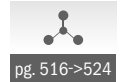
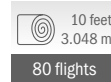
Catena curvilinea  
Sideflexing chain / Kurvengängige Scharnierbandkette

Delivery: **Easy** **Standard**

The stainless steel version is supplied with LONG-LIFE SS roller chain.



### Tab System



Standard length roller chain: 160 Pitches

| Article-Nr.     | Chain               | Ref.                       | A (Width) mm | Max working load N | Weight kg/m | Rubber                                  | Material   |
|-----------------|---------------------|----------------------------|--------------|--------------------|-------------|---|------------|
| <b>11200102</b> | C45                 | <b>1873 TAB K325 GR</b>    | 82,5         | 4500               | 4,354       | Material:<br>TPR<br>Color:<br>Red       | <b>LFD</b> |
| <b>11200105</b> |                     | <b>1873 TAB K450 GR</b>    | 114,3        |                    |             |   |            |
| <b>11200202</b> | Nickel Plated Steel | <b>1873 NP TAB K325 GR</b> | 82,5         | 4500               |             |   |            |
| <b>11200205</b> |                     | <b>1873 NP TAB K450 GR</b> | 114,3        |                    |             |   |            |
| <b>11200302</b> | Stainless Steel     | <b>1873 SS TAB K325 GR</b> | 82,5         | 3500               |             |   |            |
| <b>11200305</b> |                     | <b>1873 SS TAB K450 GR</b> | 114,3        |                    |             |   |            |
| <b>11320102</b> | C45                 | <b>1873 TAB K325 GR</b>    | 82,5         | 4500               | 4,354       | Material:<br>TPR<br>Color:<br>Red       | <b>MX</b>  |
| <b>11320105</b> |                     | <b>1873 TAB K450 GR</b>    | 114,3        |                    |             |   |            |
| <b>11320202</b> | Nickel Plated Steel | <b>1873 NP TAB K325 GR</b> | 82,5         | 4500               |             |   |            |
| <b>11320205</b> |                     | <b>1873 NP TAB K450 GR</b> | 114,3        |                    |             |   |            |
| <b>11320302</b> | Stainless Steel     | <b>1873 SS TAB K325 GR</b> | 82,5         | 3500               |             |   |            |
| <b>11320305</b> |                     | <b>1873 SS TAB K450 GR</b> | 114,3        |                    |             |   |            |
| <b>11210102</b> | C45                 | <b>1873 TAB K325 GR</b>    | 82,5         | 4500               | 4,354       | Material:<br>EPDM-PP<br>Color:<br>Black | <b>PP</b>  |
| <b>11210105</b> |                     | <b>1873 TAB K450 GR</b>    | 114,3        |                    |             |   |            |
| <b>11210202</b> | Nickel Plated Steel | <b>1873 NP TAB K325 GR</b> | 82,5         | 4500               |             |   |            |
| <b>11210205</b> |                     | <b>1873 NP TAB K450 GR</b> | 114,3        |                    |             |   |            |
| <b>11210302</b> | Stainless Steel     | <b>1873 SS TAB K325 GR</b> | 82,5         | 3500               |             |   |            |
| <b>11210305</b> |                     | <b>1873 SS TAB K450 GR</b> | 114,3        |                    |             |   |            |
| <b>11330102</b> | C45                 | <b>1873 TAB K325 GR</b>    | 82,5         | 4500               | 4,354       | Material:<br>TPR<br>Color:<br>Red       | <b>MWX</b> |
| <b>11330105</b> |                     | <b>1873 TAB K450 GR</b>    | 114,3        |                    |             |   |            |
| <b>11330202</b> | Nickel Plated Steel | <b>1873 NP TAB K325 GR</b> | 82,5         | 4500               |             |   |            |
| <b>11330205</b> |                     | <b>1873 NP TAB K450 GR</b> | 114,3        |                    |             |   |            |
| <b>11330302</b> | Stainless Steel     | <b>1873 SS TAB K325 GR</b> | 82,5         | 3500               |             |   |            |
| <b>11330305</b> |                     | <b>1873 SS TAB K450 GR</b> | 114,3        |                    |             |   |            |

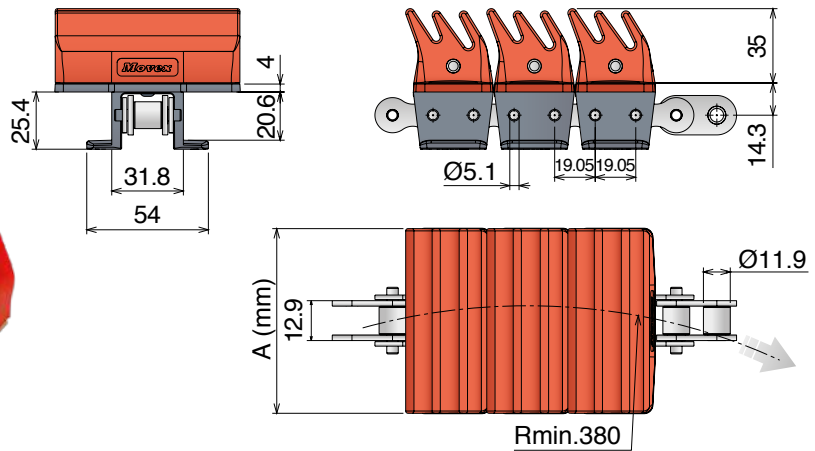
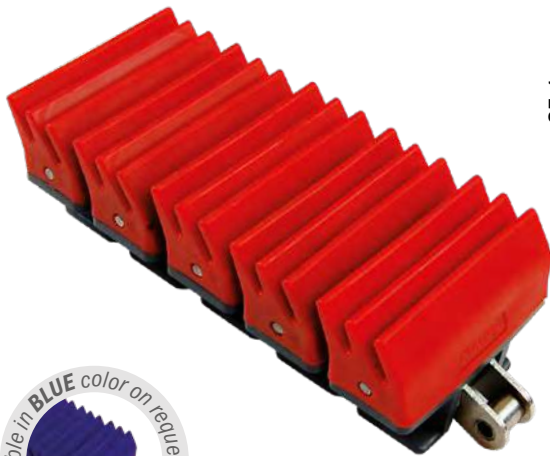


## 1873 GRIPPER GS2

Catena curvilinea  
Sideflexing chain / Kurvengängige Scharnierbandkette

Delivery: **Easy** Standard

The stainless steel version is supplied with LONG-LIFE SS roller chain.



### Tab System



10 feet  
3.048 m  
80 flights



SPROCKET  
ASA 60  
Standard on  
market



pg. 165/170



pg. 516->524

Standard length roller chain: 160 Pitches

| Article-Nr. | Chain               | Ref.                | A (Width) mm | Max working load N | Weight kg/m | Rubber                                  | Material |       |                                   |     |
|-------------|---------------------|---------------------|--------------|--------------------|-------------|---|----------|-------|-----------------------------------|-----|
| 11280102    | C45                 | 1873 TAB K325 GR    | 82,5         | 4500               | 4,354       | Material:<br>TPR<br>Color:<br>Red       | LFD      |       |                                   |     |
| 11280105    |                     | 1873 TAB K450 GR    | 114,3        |                    |             |   |          |       |                                   |     |
| 11280202    | Nickel Plated Steel | 1873 NP TAB K325 GR | 82,5         | 4500               |             |   |          |       |                                   |     |
| 11280205    |                     | 1873 NP TAB K450 GR | 114,3        |                    |             |   |          |       |                                   |     |
| 11280302    | Stainless Steel     | 1873 SS TAB K325 GR | 82,5         | 3500               |             |   |          |       |                                   |     |
| 11280305    |                     | 1873 SS TAB K450 GR | 114,3        |                    |             |   |          |       |                                   |     |
| 11340102    | C45                 | 1873 TAB K325 GR    | 82,5         | 4500               |             |   |          | 4,354 | Material:<br>TPR<br>Color:<br>Red | MX  |
| 11340105    |                     | 1873 TAB K450 GR    | 114,3        |                    |             |   |          |       |                                   |     |
| 11340202    | Nickel Plated Steel | 1873 NP TAB K325 GR | 82,5         | 4500               |             |   |          |       |                                   |     |
| 11340205    |                     | 1873 NP TAB K450 GR | 114,3        |                    |             |   |          |       |                                   |     |
| 11340302    | Stainless Steel     | 1873 SS TAB K325 GR | 82,5         | 3500               |             |   |          |       |                                   |     |
| 11340305    |                     | 1873 SS TAB K450 GR | 114,3        |                    |             |   |          |       |                                   |     |
| 11290102    | C45                 | 1873 TAB K325 GR    | 82,5         | 4500               | 4,354       | Material:<br>EPDM-PP<br>Color:<br>Black | PP       |       |                                   |     |
| 11290105    |                     | 1873 TAB K450 GR    | 114,3        |                    |             |   |          |       |                                   |     |
| 11290202    | Nickel Plated Steel | 1873 NP TAB K325 GR | 82,5         | 4500               |             |   |          |       |                                   |     |
| 11290205    |                     | 1873 NP TAB K450 GR | 114,3        |                    |             |   |          |       |                                   |     |
| 11290302    | Stainless Steel     | 1873 SS TAB K325 GR | 82,5         | 3500               |             |   |          |       |                                   |     |
| 11290305    |                     | 1873 SS TAB K450 GR | 114,3        |                    |             |   |          |       |                                   |     |
| 11350102    | C45                 | 1873 TAB K325 GR    | 82,5         | 4500               |             |   |          | 4,354 | Material:<br>TPR<br>Color:<br>Red | MWX |
| 11350105    |                     | 1873 TAB K450 GR    | 114,3        |                    |             |   |          |       |                                   |     |
| 11350202    | Nickel Plated Steel | 1873 NP TAB K325 GR | 82,5         | 4500               |             |   |          |       |                                   |     |
| 11350205    |                     | 1873 NP TAB K450 GR | 114,3        |                    |             |   |          |       |                                   |     |
| 11350302    | Stainless Steel     | 1873 SS TAB K325 GR | 82,5         | 3500               |             |   |          |       |                                   |     |
| 11350305    |                     | 1873 SS TAB K450 GR | 114,3        |                    |             |   |          |       |                                   |     |

# 1873 GRIPPER GS4

Catene in plastica / Plastic chains / Scharnierbandketten aus Kunststoff

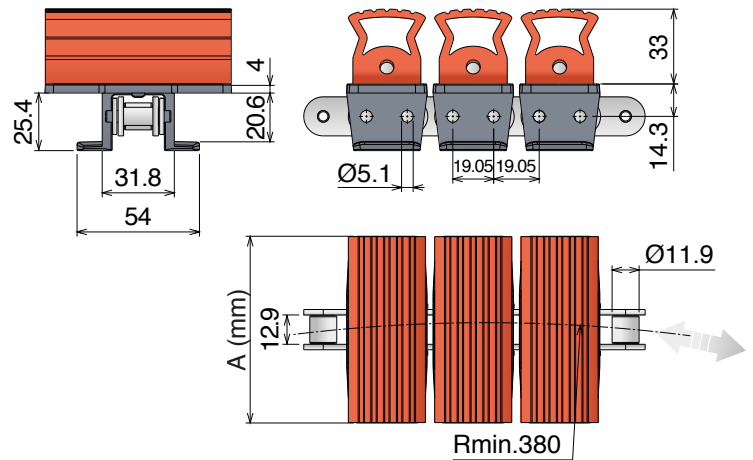
## 1873 GRIPPER GS4

Catena curvilinea

Sideflexing chain / Kurvengängige Scharnierbandkette

Delivery: **Easy** **Standard**

The stainless steel version is supplied with LONG-LIFE SS roller chain.



### Tab System



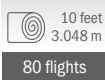
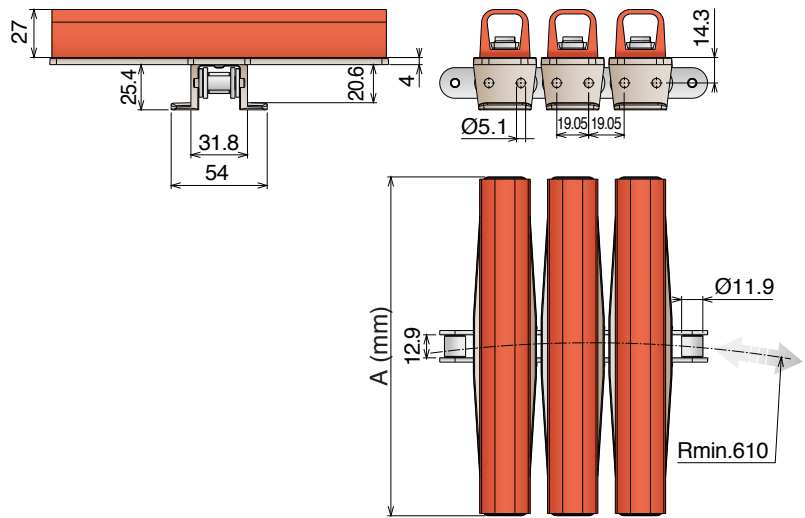
Standard length roller chain: 160 Pitches

| Article-Nr.     | Chain               | Ref.                       | A (Width) mm | Max working load N | Weight kg/m | Rubber            | Material   |
|-----------------|---------------------|----------------------------|--------------|--------------------|-------------|-------------------|------------|
| <b>11830102</b> | C45                 | <b>1873 TAB K325 GR</b>    | 82,5         | 4500               | 4,15        | Material: TPR     | <b>LFD</b> |
| <b>11830105</b> |                     | <b>1873 TAB K450 GR</b>    | 114,3        |                    |             |                   |            |
| <b>11830202</b> | Nickel Plated Steel | <b>1873 NP TAB K325 GR</b> | 82,5         | 4500               |             |                   |            |
| <b>11830205</b> |                     | <b>1873 NP TAB K450 GR</b> | 114,3        |                    |             |                   |            |
| <b>11830302</b> | Stainless Steel     | <b>1873 SS TAB K325 GR</b> | 82,5         | 3500               |             |                   |            |
| <b>11830305</b> |                     | <b>1873 SS TAB K450 GR</b> | 114,3        |                    |             |                   |            |
| <b>11840102</b> | C45                 | <b>1873 TAB K325 GR</b>    | 82,5         | 4500               | 4,15        | Material: TPR     | <b>MX</b>  |
| <b>11840105</b> |                     | <b>1873 TAB K450 GR</b>    | 114,3        |                    |             |                   |            |
| <b>11840202</b> | Nickel Plated Steel | <b>1873 NP TAB K325 GR</b> | 82,5         | 4500               |             |                   |            |
| <b>11840205</b> |                     | <b>1873 NP TAB K450 GR</b> | 114,3        |                    |             |                   |            |
| <b>11840302</b> | Stainless Steel     | <b>1873 SS TAB K325 GR</b> | 82,5         | 3500               |             |                   |            |
| <b>11840305</b> |                     | <b>1873 SS TAB K450 GR</b> | 114,3        |                    |             |                   |            |
| <b>11850102</b> | C45                 | <b>1873 TAB K325 GR</b>    | 82,5         | 4500               | 4,15        | Material: EPDM-PP | <b>PP</b>  |
| <b>11850105</b> |                     | <b>1873 TAB K450 GR</b>    | 114,3        |                    |             |                   |            |
| <b>11850202</b> | Nickel Plated Steel | <b>1873 NP TAB K325 GR</b> | 82,5         | 4500               |             |                   |            |
| <b>11850205</b> |                     | <b>1873 NP TAB K450 GR</b> | 114,3        |                    |             |                   |            |
| <b>11850302</b> | Stainless Steel     | <b>1873 SS TAB K325 GR</b> | 82,5         | 3500               |             |                   |            |
| <b>11850305</b> |                     | <b>1873 SS TAB K450 GR</b> | 114,3        |                    |             |                   |            |
| <b>11860102</b> | C45                 | <b>1873 TAB K325 GR</b>    | 82,5         | 4500               | 4,15        | Material: TPR     | <b>MWX</b> |
| <b>11860105</b> |                     | <b>1873 TAB K450 GR</b>    | 114,3        |                    |             |                   |            |
| <b>11860202</b> | Nickel Plated Steel | <b>1873 NP TAB K325 GR</b> | 82,5         | 4500               |             |                   |            |
| <b>11860205</b> |                     | <b>1873 NP TAB K450 GR</b> | 114,3        |                    |             |                   |            |
| <b>11860302</b> | Stainless Steel     | <b>1873 SS TAB K325 GR</b> | 82,5         | 3500               |             |                   |            |
| <b>11860305</b> |                     | <b>1873 SS TAB K450 GR</b> | 114,3        |                    |             |                   |            |

## 1873 D-SHAPE

Catena curvilinea  
Sideflexing chain / Kurvengängige Scharnierbandkette

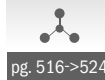
The stainless steel version is supplied with LONG-LIFE SS roller chain.



**SPROCKET**  
ASA 60  
Standard on market



pg. 165/170



pg. 516->524

**Tab System**

Standard lenght roller chain: 160 Pitches

| Article-Nr.     | Chain               | Ref.                      | A (Width) mm | Weight kg/m | Max working load N | Rubber                                  | Material |
|-----------------|---------------------|---------------------------|--------------|-------------|--------------------|---|----------|
| <b>11870106</b> | C45                 | <b>1873 TAB K600 D</b>    | 152,4        | 4,00        | 4500               | Material:<br>TPR<br>Color:<br>Red       | LF       |
| <b>11870107</b> |                     | <b>1873 TAB K750 D</b>    | 190,5        | 4,90        |                    |   |          |
| <b>11870206</b> | Nickel Plated Steel | <b>1873 NP TAB K600 D</b> | 152,4        | 4,00        | 4500               |   |          |
| <b>11870207</b> |                     | <b>1873 NP TAB K750 D</b> | 190,5        | 4,90        |                    |   |          |
| <b>11870306</b> | Stainless Steel     | <b>1873 SS TAB K600 D</b> | 152,4        | 4,00        | 3500               |   |          |
| <b>11870307</b> |                     | <b>1873 SS TAB K750 D</b> | 190,5        | 4,90        |                    |   |          |
| <b>11880106</b> | C45                 | <b>1873 TAB K600 D</b>    | 152,4        | 4,00        | 4500               | Material:<br>TPR<br>Color:<br>Red       | MX       |
| <b>11880107</b> |                     | <b>1873 TAB K750 D</b>    | 190,5        | 4,90        |                    |   |          |
| <b>11880206</b> | Nickel Plated Steel | <b>1873 NP TAB K600 D</b> | 152,4        | 4,00        | 4500               |   |          |
| <b>11880207</b> |                     | <b>1873 NP TAB K750 D</b> | 190,5        | 4,90        |                    |   |          |
| <b>11880306</b> | Stainless Steel     | <b>1873 SS TAB K600 D</b> | 152,4        | 4,00        | 3500               |   |          |
| <b>11880307</b> |                     | <b>1873 SS TAB K750 D</b> | 190,5        | 4,90        |                    |   |          |
| <b>11890106</b> | C45                 | <b>1873 TAB K600 D</b>    | 152,4        | 4,00        | 4500               | Material:<br>EPDM-PP<br>Color:<br>Black | MPX      |
| <b>11890107</b> |                     | <b>1873 TAB K750 D</b>    | 190,5        | 4,90        |                    |   |          |
| <b>11890206</b> | Nickel Plated Steel | <b>1873 NP TAB K600 D</b> | 152,4        | 4,00        | 4500               |   |          |
| <b>11890207</b> |                     | <b>1873 NP TAB K750 D</b> | 190,5        | 4,90        |                    |   |          |
| <b>11890306</b> | Stainless Steel     | <b>1873 SS TAB K600 D</b> | 152,4        | 4,00        | 3500               |   |          |
| <b>11890307</b> |                     | <b>1873 SS TAB K750 D</b> | 190,5        | 4,90        |                    |   |          |

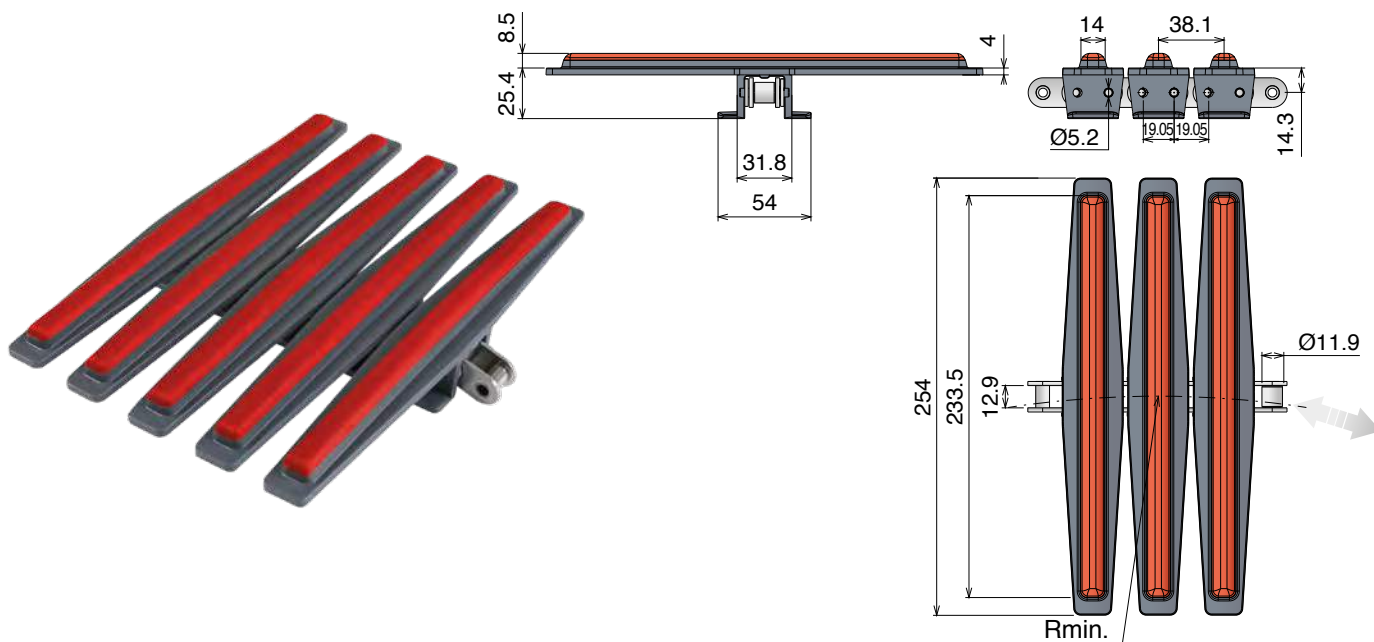


# 1873 MX1

Catene in plastica / Plastic chains / Scharnierbandketten aus Kunststoff

## 1873 MX1 Catena curvilinea Sideflexing chain / Kurvengängige Scharnierbandkette

The stainless steel version is supplied with LONG-LIFE SS roller chain. | TPR Rubber: 75 ShA



### Tab System

10 feet  
3.048 m  
80 flights

SPROCKET  
ASA 60  
Standard on  
market

pg. 165/170

pg. 516->524

Standard length roller chain: 160 Pitches

| Article-Nr. | Chain               | Ref.             | Plate Width mm | Weight kg/m | Max working load N | Sideflex radius min. mm | Material |
|-------------|---------------------|------------------|----------------|-------------|--------------------|-------------------------|----------|
| 11790108    | C45                 |                  |                |             | 4500               |                         |          |
| 11780108    | Nickel Plated Steel | 1873 LFTAB K1000 | 254,0          | 2,80        | 4500               | 457                     | LF       |
| 11690108    | Stainless Steel     |                  |                |             | 3500               |                         |          |

## 1873 MX1

Chain for hot-fill applications, neck & cap sterilizing.

+ [ExtraInfo](#)

### + Care

Designed to keep the products in the correct position during the twist movement.

### + Temperature resistance

The rubber is developed for and perfectly resistant against the higher temperatures of the hot-filled products.

### + Long life roller chain

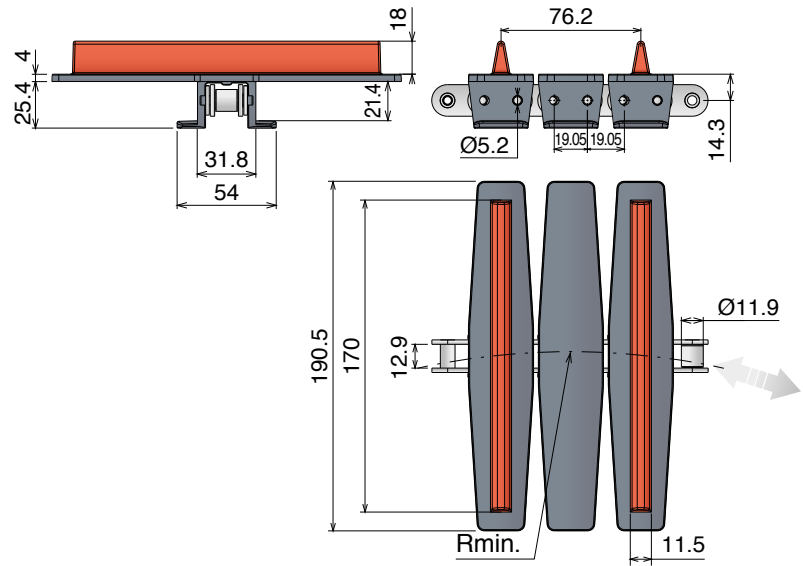
Special hardened pins and bushing guarantee a longer lifetime. Chain can twist 90° in 1500 mm.

### + Product stability

The new developed design guarantees a perfect connection between rubber and plate.

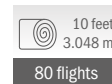
## 1873 MX2 Catena curvilinea Sideflexing chain / Kurvengängige Scharnierbandkette

The stainless steel version is supplied with LONG-LIFE SS roller chain. | TPR Rubber: 75 ShA



Standard length roller chain: 160 Pitches

### Tab System



| Article-Nr. | Chain               | Ref.             | Plate Width mm | Weight kg/m | Max working load N | Sideflex radius min. mm | Material |
|-------------|---------------------|------------------|----------------|-------------|--------------------|-------------------------|----------|
| 11770107    | C45                 | 1873 LF TAB K750 | 190,5          | 2,60        | 4500               | 457                     | LF       |
| 11760107    | Nickel Plated Steel |                  |                |             | 4500               |                         |          |
| 11670107    | Stainless Steel     |                  |                |             | 3500               |                         |          |

## 1873 MX2

### Chain for twisting cans.

#### + Care

Designed to twist cans without pressure.

#### + Temperature resistance

Materials are suitable for use at high temperatures.

#### + Long life roller chain

Special hardened pins and bushing guarantee a longer lifetime. Chain can twist 90° in 1500 mm.

#### + ExtraInfo

#### + Product stability

The flights assure the position of the cans also at higher speed.



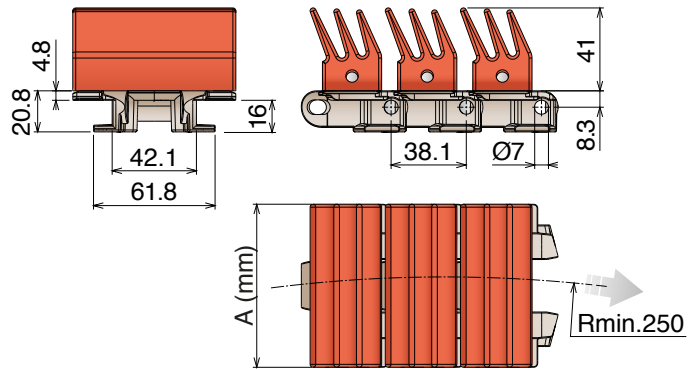
# 878 GRIPPER GS1/GS2/GS4

Catene in plastica / Plastic chains / Scharnierbandketten aus Kunststoff

## 878 GRIPPER

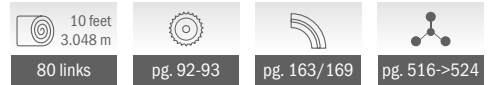
Catena curvilinea  
Sideflexing chain / Kurvengängige Scharnierbandkette

Delivery: **Easy** **Standard**

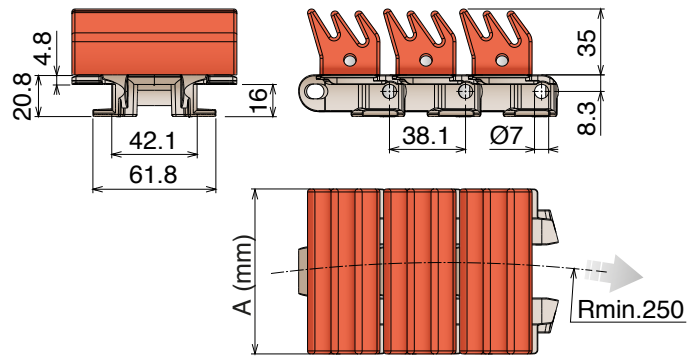


### GS1

**Tab System**

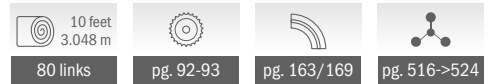


| Article-Nr. | Ref.            | A (Plate Width) mm | R mm | Weight kg/m | Max working load N | Rubber | Material |
|-------------|-----------------|--------------------|------|-------------|--------------------|--------|----------|
| 11800102    | LF 878 GS1 K325 | 82,5               | 250  | 4,65        | 2200               | TPR    | LF       |

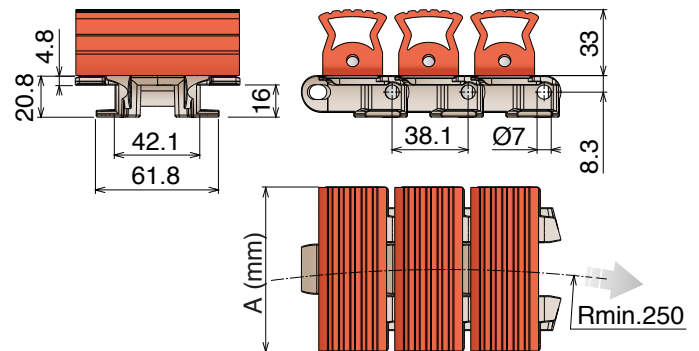


### GS2

**Tab System**

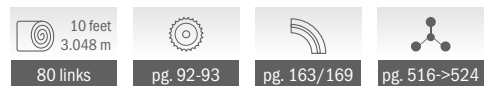


| Article-Nr. | Ref.            | A (Plate Width) mm | R mm | Weight kg/m | Max working load N | Rubber | Material |
|-------------|-----------------|--------------------|------|-------------|--------------------|--------|----------|
| 11810102    | LF 878 GS2 K325 | 82,5               | 250  | 4,05        | 2200               | TPR    | LF       |



### GS4

**Tab System**

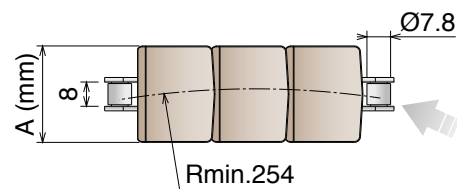
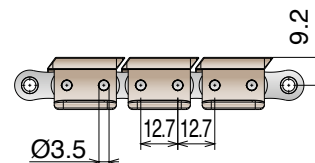
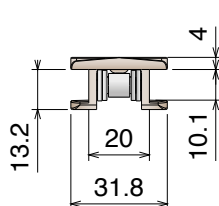


| Article-Nr. | Ref.            | A (Plate Width) mm | R mm | Weight kg/m | Max working load N | Rubber | Material |
|-------------|-----------------|--------------------|------|-------------|--------------------|--------|----------|
| 11820102    | LF 878 GS4 K325 | 82,5               | 250  | 4,10        | 2200               | TPR    | LF       |

# 1843

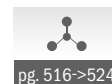
Catena curvilinea  
Sideflexing chain / Kurvengängige Scharnierbandkette

Delivery: **Easy** **Standard**



Standard length roller chain: 240 Pitches

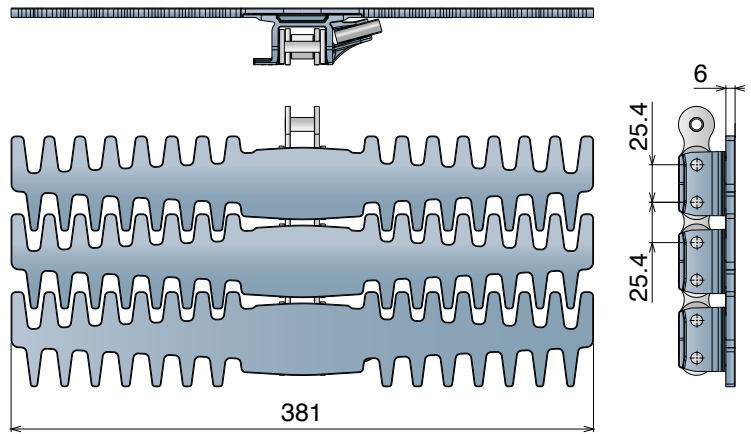
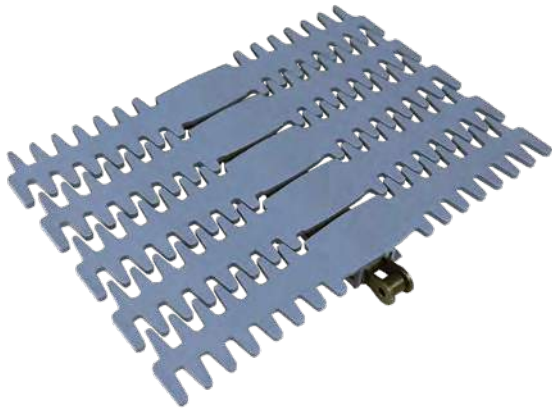
## Tab System



| Article-Nr. | Chain           | Ref.             | A (Plate Width) mm | R mm | Weight kg/m | Max working load N | Backflex radius min. mm | Material |
|-------------|-----------------|------------------|--------------------|------|-------------|--------------------|-------------------------|----------|
| 11400117    | C45             | LF 1843 TAB K125 | 31,8               | 254  | 0,74        | 2700               | 50                      | LF       |
| 11410117    | Stainless Steel |                  | 31,8               | 254  | 0,74        | 1900               |                         |          |
| 11400119    | C45             | LF 1843 TAB K200 | 50,8               | 254  | 0,89        | 2700               |                         |          |
| 11410119    | Stainless Steel |                  | 50,8               | 254  | 0,89        | 1900               |                         |          |
| 11400317    | C45             | MX 1843 TAB K125 | 31,8               | 254  | 0,74        | 2700               | 50                      | MX       |
| 11410317    | Stainless Steel |                  | 31,8               | 254  | 0,74        | 1900               |                         |          |
| 11400319    | C45             | MX 1843 TAB K200 | 50,8               | 254  | 0,89        | 2700               |                         |          |
| 11410319    | Stainless Steel |                  | 50,8               | 254  | 0,89        | 1900               |                         |          |

## SP 1883

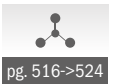
Catena curvilinea  
Sideflexing chain / Kurvengängige Scharnierbandkette



Standard length roller chain: 120 Pitches

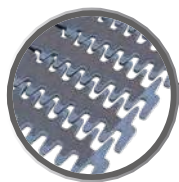


**SPROCKET**  
ASA 80  
Standard on market



| Article-Nr. | Chain | Ref.                  | Plate Width mm | Weight kg/m | Max working load N | Sideflex radius min. mm | Material |
|-------------|-------|-----------------------|----------------|-------------|--------------------|-------------------------|----------|
| 11640110    | C45   | LFA SP 1883 TAB K1500 | 381,0          | 12,5        | 6500               | 711                     | LFA      |

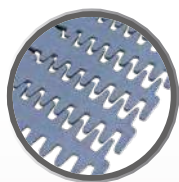
## Spiral Conveyor Technology



Grip Top



Reinforced Chain C45 or SS Pitch 25.4 mm



Flat Top

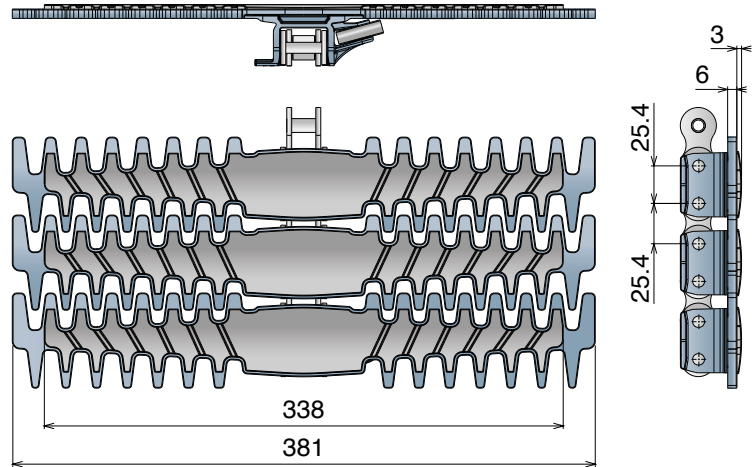
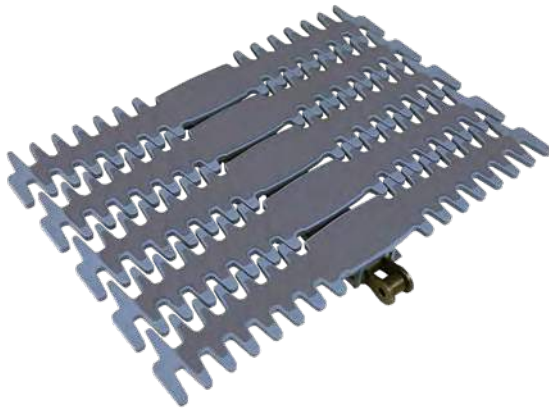


SS Ball Bearing



## SP 1883 GT

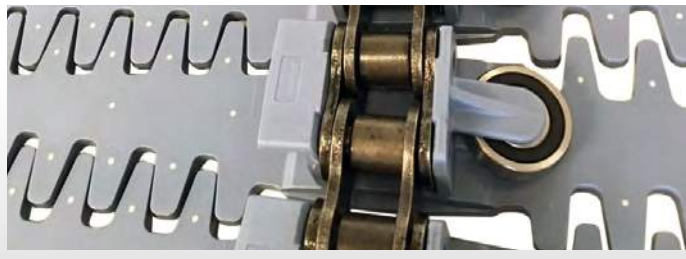
Catena curvilinea  
Sideflexing chain / Kurvengängige Scharnierbandkette



Standard length roller chain: 120 Pitches

|                    |   |              |
|--------------------|---|--------------|
| 10 feet<br>3.048 m | <b>SPROCKET</b><br>ASA 80<br>Standard on market | pg. 516->524 |
| 60 links           |   |              |

| Article-Nr. | Chain | Ref.                     | Plate Width mm | Weight kg/m | Max working load N | Sideflex radius min. mm | Material |
|-------------|-------|--------------------------|----------------|-------------|--------------------|-------------------------|----------|
| 11650110    | C45   | LFA SP 1883 GT TAB K1500 | 381,0          | 13,0        | 6500               | 711                     | LFA      |



# CC 600-CC 600 TAB

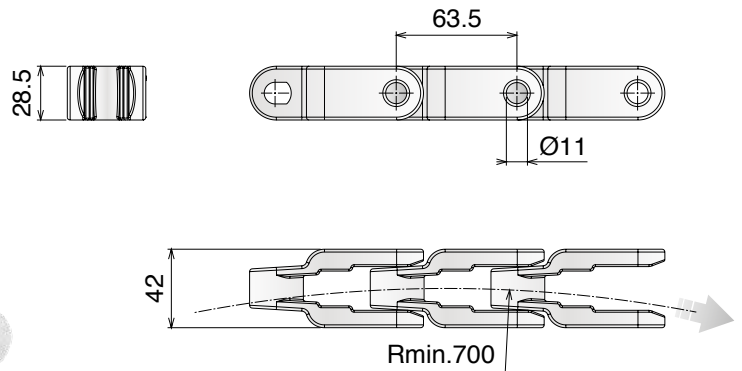
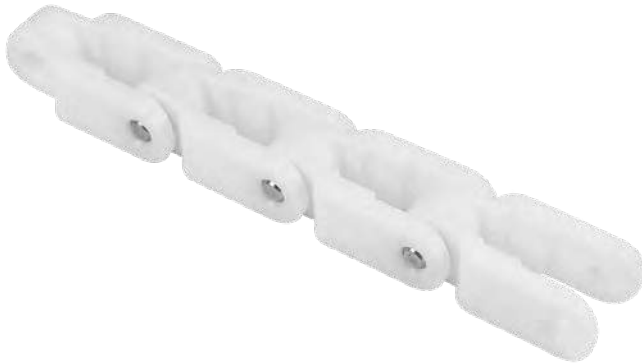
Catene in plastica / Plastic chains / Scharnierbandketten aus Kunststoff

## CC 600

Catena curvilinea  
Sideflexing chain / Kurvengängige Scharnierbandkette

Delivery: **Easy** Standard

Pins: Stainless Steel | Backflex radius min.: 50 mm



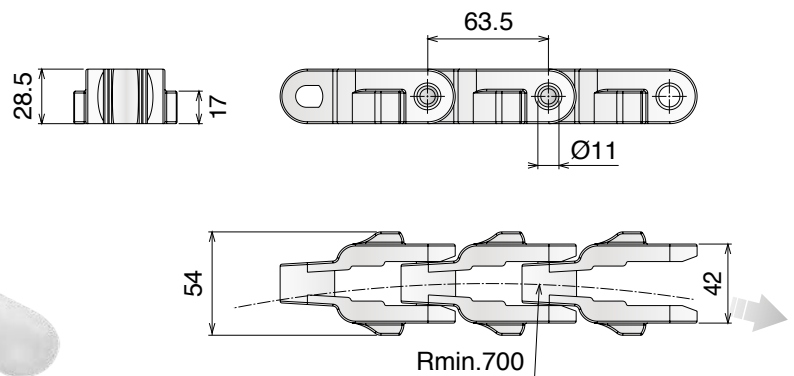
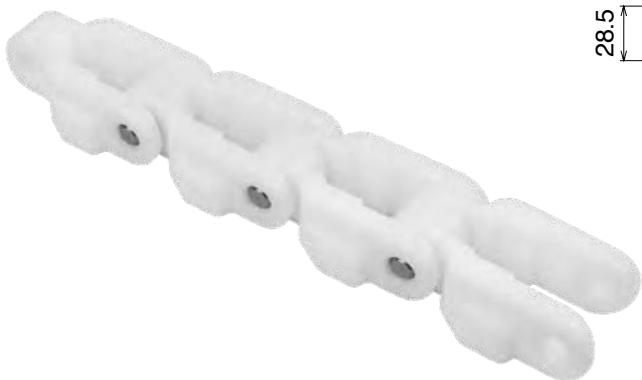
| Article-Nr. | Ref.   | Plate Width mm | Weight kg/m | Max working load N | Material |
|-------------|--------|----------------|-------------|--------------------|----------|
| 11220400    | CC 600 | 42             | 1,35        | 4000               | LFN      |
| 11220300    | CC 600 | 42             | 1,35        | 3200               | MX       |

## CC 600 TAB

Catena curvilinea  
Sideflexing chain / Kurvengängige Scharnierbandkette

Delivery: **Easy** Standard

Pins: Stainless Steel | Backflex radius min.: 50 mm



**Tab System**



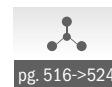
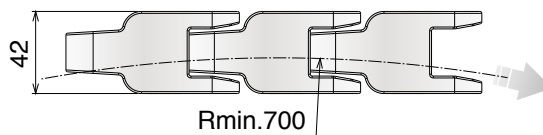
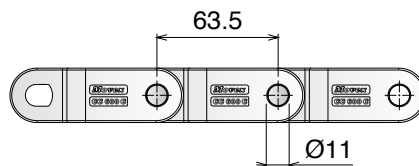
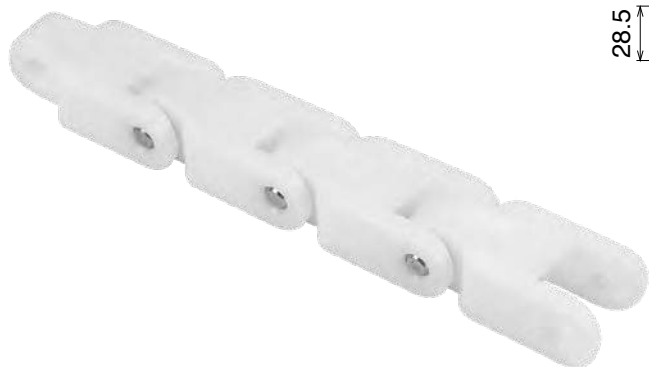
| Article-Nr. | Ref.       | Plate Width mm | Weight kg/m | Max working load N | Material |
|-------------|------------|----------------|-------------|--------------------|----------|
| 11230400    | CC 600 TAB | 42             | 1,45        | 4000               | LFN      |
| 11230300    | CC 600 TAB | 42             | 1,45        | 3200               | MX       |

## CC 600 D

Catena curvilinea  
Sideflexing chain / Kurvengängige Scharnierbandkette

Delivery: **Easy** Standard

Pins: Stainless Steel | Backflex radius min.: 50 mm



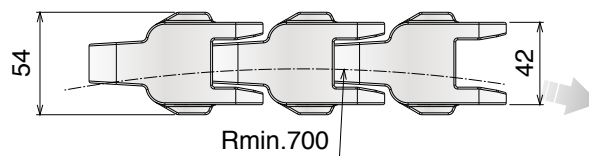
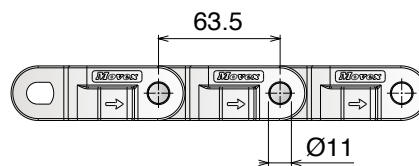
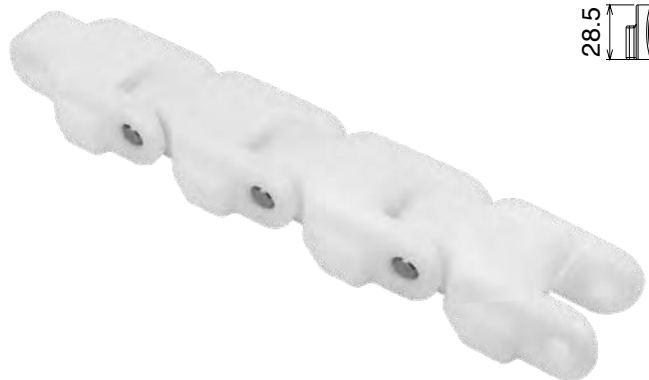
| Article-Nr. | Ref.     | Plate Width mm | Weight kg/m | Max working load N | Material |
|-------------|----------|----------------|-------------|--------------------|----------|
| 11220410    | CC 600 D | 42             | 1,40        | 4000               | LFN      |
| 11220310    | CC 600 D | 42             | 1,40        | 3200               | MX       |

## CC 600 D TAB

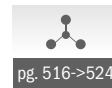
Catena curvilinea  
Sideflexing chain / Kurvengängige Scharnierbandkette

Delivery: **Easy** Standard

Pins: Stainless Steel | Backflex radius min.: 50 mm



**Tab System**



| Article-Nr. | Ref.         | Plate Width mm | Weight kg/m | Max working load N | Material |
|-------------|--------------|----------------|-------------|--------------------|----------|
| 11230410    | CC 600 D TAB | 42             | 1,55        | 4000               | LFN      |
| 11230310    | CC 600 D TAB | 42             | 1,55        | 3200               | MX       |

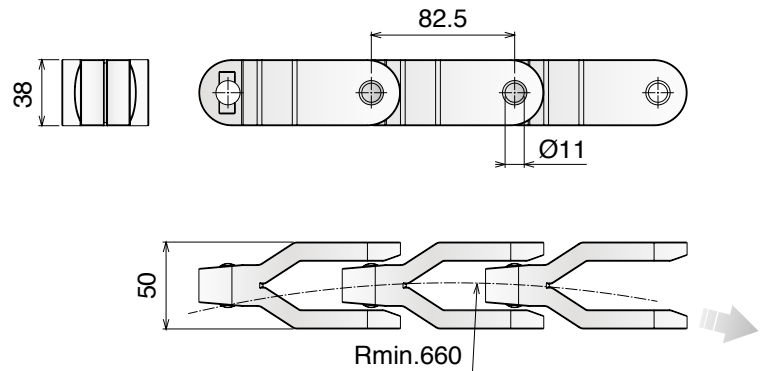
# CC 1400-CC 1400 TAB

Catene in plastica / Plastic chains / Scharnierbandketten aus Kunststoff

## CC 1400

Catena curvilinea  
Sideflexing chain / Kurvengängige Scharnierbandkette

Pins: Stainless Steel | Backflex radius min.: 50 mm

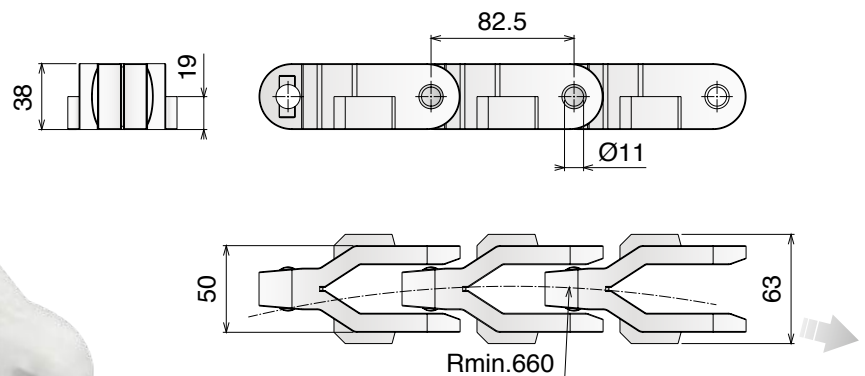


| Article-Nr. | Ref.    | Plate Width mm | Weight kg/m | Max working load N | Material |
|-------------|---------|----------------|-------------|--------------------|----------|
| 11300400    | CC 1400 | 50             | 3,24        | 6500               | LFN      |
| 11300300    | CC 1400 | 50             | 3,24        | 5200               | MX       |

## CC 1400 TAB

Catena curvilinea  
Sideflexing chain / Kurvengängige Scharnierbandkette

Pins: Stainless Steel | Backflex radius min.: 50 mm



**Tab System**

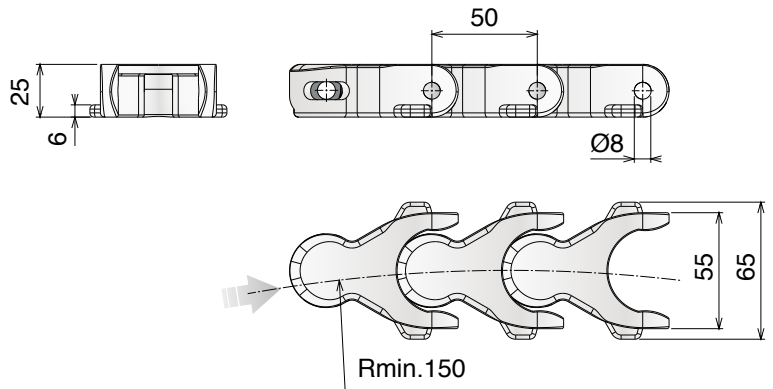


| Article-Nr. | Ref.        | Plate Width mm | Weight kg/m | Max working load N | Material |
|-------------|-------------|----------------|-------------|--------------------|----------|
| 11310400    | CC 1400 TAB | 50             | 3,24        | 6500               | LFN      |
| 11310300    | CC 1400 TAB | 50             | 3,24        | 5200               | MX       |

## 1701 TAB OP

Catena curvilinea  
Sideflexing chain / Kurvengängige Scharnierbandkette

Pins: Stainless Steel | Backflex radius min.: 50 mm



### Tab System

|                    |         |             |              |
|--------------------|---------|-------------|--------------|
| 10 feet<br>3.050 m | pg. 102 | pg. 167/171 | pg. 516->524 |
| 61 links           |         |             |              |

| Article-Nr. | Ref.           | Plate Width mm | Weight kg/m | Max working load N | Material |
|-------------|----------------|----------------|-------------|--------------------|----------|
| 11360400    | LF 1701 TAB OP | 55             | 1,40        | 2700               | LFN      |

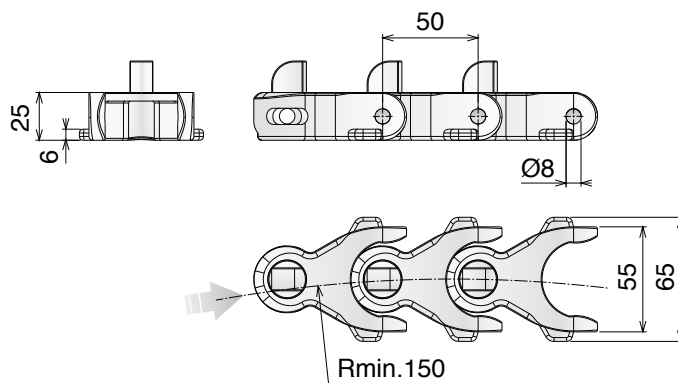
# 1701 TAB OPF

Catene in plastica / Plastic chains / Scharnierbandketten aus Kunststoff

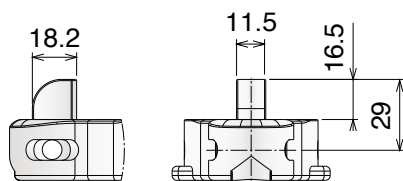
## 1701 TAB OPF

Catena curvilinea  
Sideflexing chain / Kurvengängige Scharnierbandkette

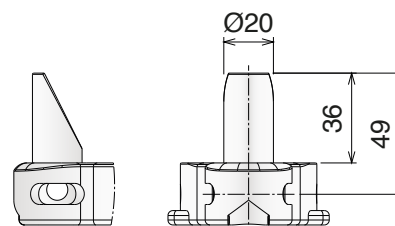
Pins: Stainless Steel



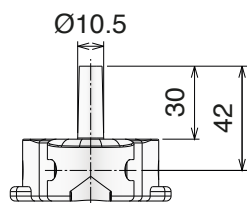
Type A



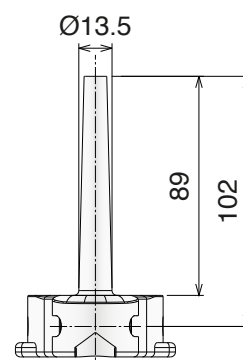
Type B



Type C



Type D



### Tab System

10 feet  
3.050 m  
61 links

pg. 102

pg. 167/171

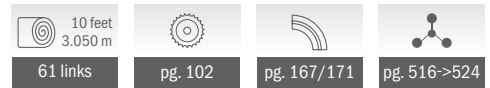
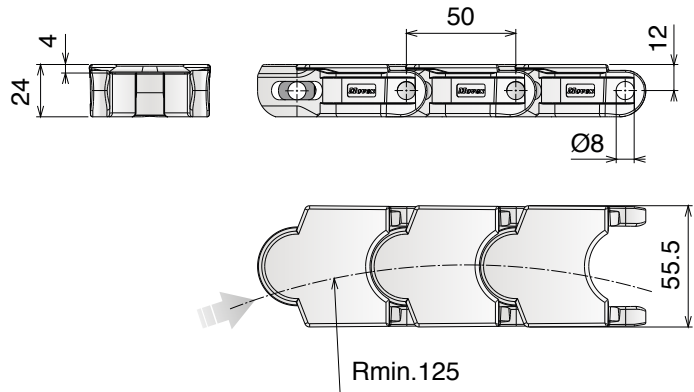
pg. 516->524

| Article-Nr. | Ref.            | Plate Width mm | Weight kg/m | Max working load N | Material |
|-------------|-----------------|----------------|-------------|--------------------|----------|
| 11360400-FA | 1701 TAB Type A | 55             | 1,60        | 2700               | LFN      |
| 11360400-FB | 1701 TAB Type B | 55             | 1,60        |                    |          |
| 11360400-FC | 1701 TAB Type C | 55             | 2,00        |                    |          |
| 11360400-FD | 1701 TAB Type D | 55             | 2,30        |                    |          |

## 1706

Catena curvilinea  
Sideflexing chain / Kurvengängige Scharnierbandkette

Pins: Stainless Steel | Backflex radius min.: 50 mm

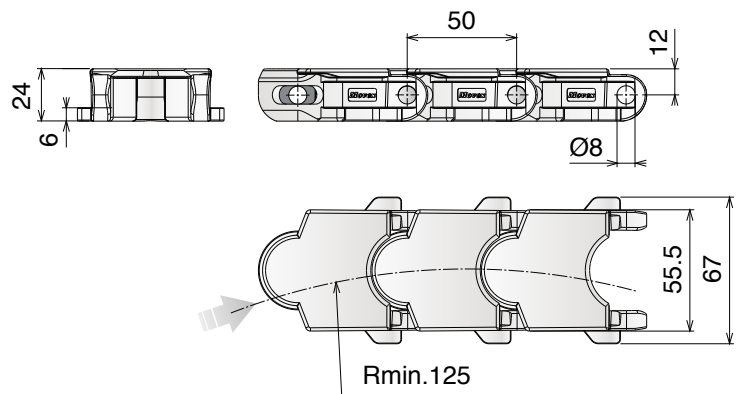


| Article-Nr. | Ref.    | Plate Width mm | Weight kg/m | Max working load N | Material |
|-------------|---------|----------------|-------------|--------------------|----------|
| 11720400    | LF 1706 | 55,5           | 1,35        | 2300               | LFN      |
| 11720300    | MX 1706 | 55,5           | 1,35        | 1900               | MX       |

## 1706 TAB

Catena curvilinea  
Sideflexing chain / Kurvengängige Scharnierbandkette

Pins: Stainless Steel | Backflex radius min.: 50 mm



**Tab System**



| Article-Nr. | Ref.        | Plate Width mm | Weight kg/m | Max working load N | Material |
|-------------|-------------|----------------|-------------|--------------------|----------|
| 11730400    | LF 1706 TAB | 55,5           | 1,38        | 2300               | LFN      |
| 11730300    | MX 1706 TAB | 55,5           | 1,38        | 1900               | MX       |

# 765 NO GAP

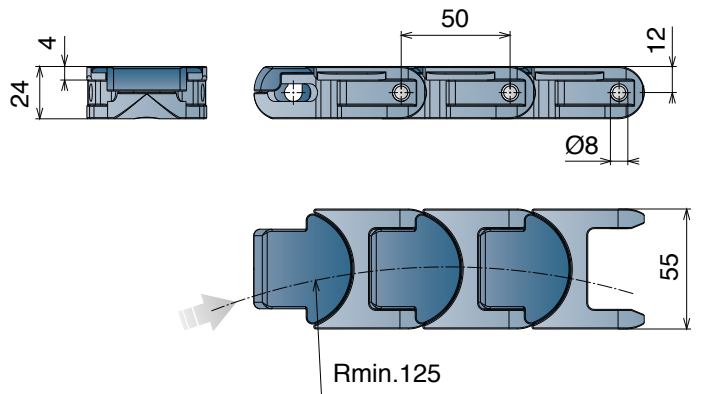
Catene in plastica / Plastic chains / Scharnierbandketten aus Kunststoff

## 765 NO GAP

Catena curvilinea  
Sideflexing chain / Kurvengängige Scharnierbandkette

Delivery: **Easy** **Standard**

Pins: Stainless Steel | Backflex radius min.: 50 mm



| Article-Nr. | Ref.           | Plate Width mm | Weight kg/m | Max working load N | Material |
|-------------|----------------|----------------|-------------|--------------------|----------|
| 11940100    | 765 LFA NO GAP | 55             | 1,46        | 2670               | LFA      |



### Advantages:

- ▶ Improved safety
- ▶ Product stability
- ▶ Ideal to transporting small products



## 43 MF-63 MF-83 MF-103 MF

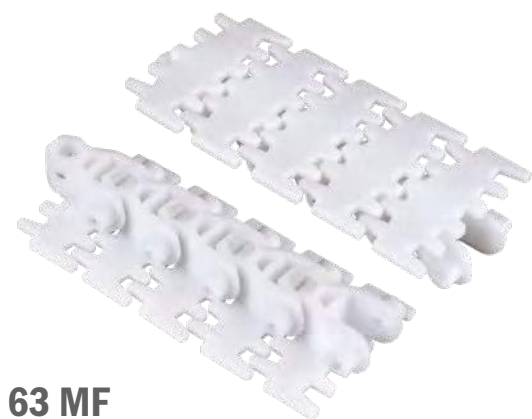
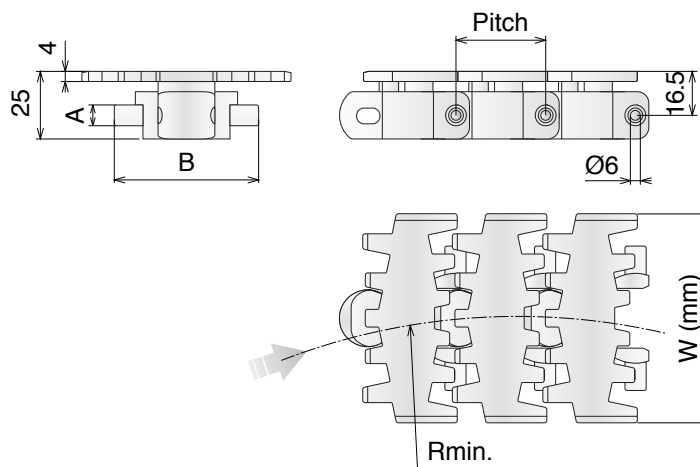
Catena curvilinea  
Sideflexing chain  
Kurvengängige Scharnierbandkette

Delivery: **Easy** Standard

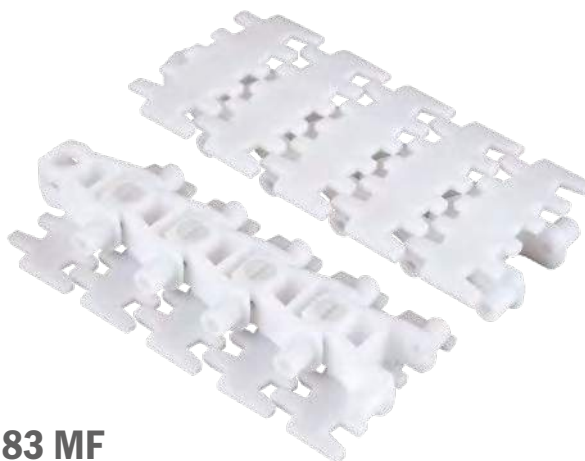
Pins: Stainless Steel | Backflex radius min.: 50 mm



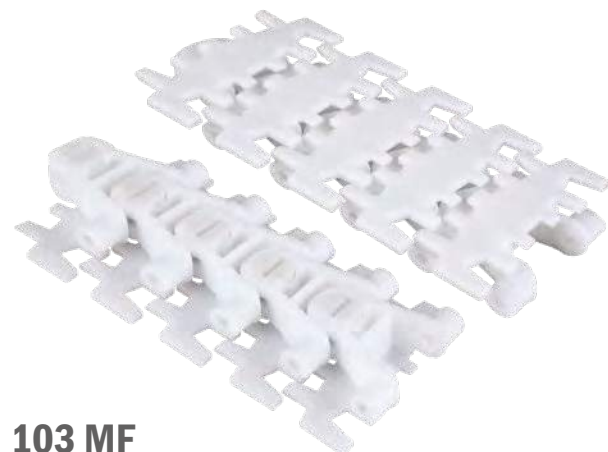
43 MF



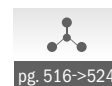
63 MF



83 MF



103 MF



| Article-Nr. | Ref.   | W (Plate Width) mm | A mm | B mm | Weight kg/m | Pitch | Radius min. | Links             | Max working load N | Material |
|-------------|--------|--------------------|------|------|-------------|-------|-------------|-------------------|--------------------|----------|
| 12010400    | 43 MF  | 43                 | 8    | 37   | 0,60        | 25,4  | 140         | 3.048 (120 links) | 2100               | LFN      |
| 12010401    | 63 MF  | 63                 | 8    | 37   | 0,80        | 25,4  | 150         | 3.048 (120 links) |                    |          |
| 12010402    | 83 MF  | 83                 | 12   | 58   | 1,70        | 33,5  | 160         | 3.015 (90 links)  |                    |          |
| 12010403    | 103 MF | 103                | 12   | 75   | 2,00        | 33,5  | 170         | 3.015 (90 links)  |                    |          |

# 83 M-140 M

Catene in plastica / Plastic chains / Scharnierbandketten aus Kunststoff

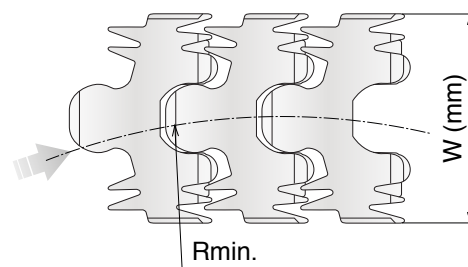
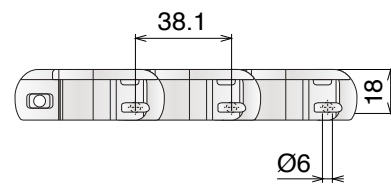
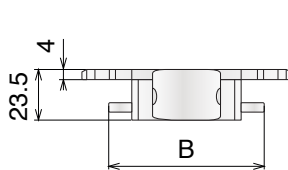
## 83 M-140 M

Catena curvilinea  
Sideflexing chain / Kurvengängige Scharnierbandkette

Pins: Stainless Steel



83 M



140 M

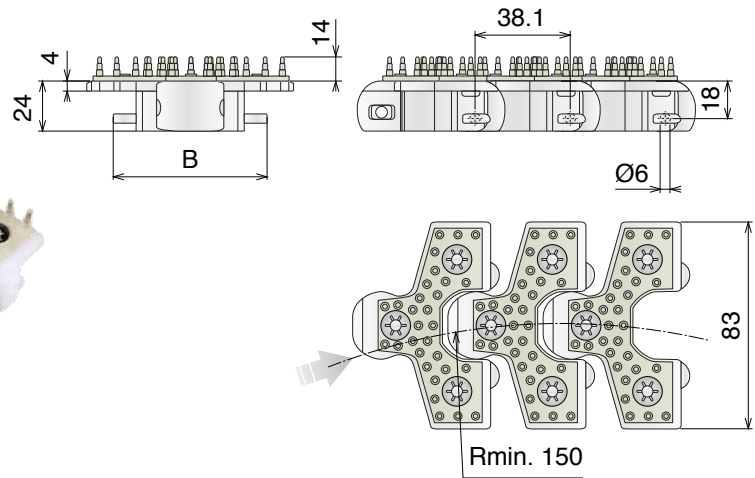


| Article-Nr. | Ref.  | W (Plate Width)<br>mm | B<br>mm | Weight<br>kg/m | Pitch | Radius min. | Max working load<br>N | Material |
|-------------|-------|-----------------------|---------|----------------|-------|-------------|-----------------------|----------|
| 12020402    | 83 M  | 83                    | 63      | 1,35           | 38,1  | 150         | 2100                  | LFN      |
| 12020404    | 140 M | 140                   | 63      | 2,10           | 38,1  | 250         |                       |          |

## 83 M/PU

Catena curvilinea  
Sideflexing chain / Kurvengängige Scharnierbandkette

Pins: Stainless Steel



10 feet  
3.048 m  
80 links

pg. 105

pg. 516->524

| Article-Nr. | Ref.    | Plate Width mm | B mm | Weight kg/m | Pitch | Radius min. | Max working load N | Material |
|-------------|---------|----------------|------|-------------|-------|-------------|--------------------|----------|
| 12030402    | 83 M/PU | 83             | 63   | 0,80        | 38,1  | 150         | 2100               | LFN      |