

## Basic Series

Ø40-Ø50-Ø60-Ø80-Ø100



Pag 558

## Articulated Series

Ø110 Ø123



Pag 562

## Muscle Series

Ø123



Pag 566

## P400R Series

Ø80-Ø100-Ø120



Pag 569

## STEEL Series

Ø123.5



Pag 573

## S400 Series

SPLIT  
HEAVY  
HEAVY-SPLIT



Pag 575

## S400B Series

SPLIT  
HEAVY  
HEAVY-SPLIT



Pag 599

## C500 Series

SPLIT  
HEAVY  
HEAVY-SPLIT



Pag 626



Core product range of Easy Clean Levelling Feet can be found [here](#).

## Accessories

903



Pag 643

903



Pag 643

903



Pag 644

998



Pag 644

996



Pag 644

## Basic Series

Delivery: **Easy** **Standard**

### Main features:

- Molded baseplate in polyamide
- Spindle in austenitic stainless steel or zinc plated steel

### Other versions available:

- Double floor fixation
- Base and spindle made in polyamide and zinc plated insert.



The **BASIC series**, with plastic baseplate and fully threaded spindle is the standard choice for the industrial environments.

The spindle can be made with flat or hexagonal key wrench and is available in two different materials, zinc plated steel or stainless steel.

Maximum compressive strength (static load) as in the table, maximum tensile strength (static load) 500 N.

## Accessori / Accessories / Zubehör



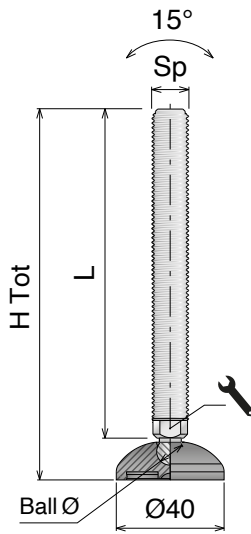
**Gomma anti-scivolo**  
**Anti-slip pad/Gummiplatte**

Art-Nr.	For base
99601	Ø40
99602	Ø50
99603	Ø60
99604	Ø80
99605	Ø100



**Dadi**  
**Nuts/Sechskantmuttern**

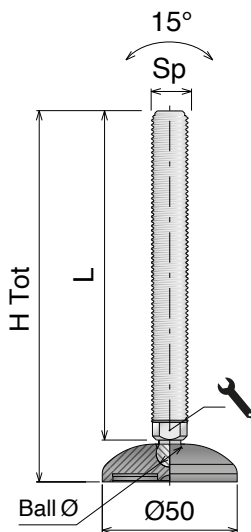
Art-Nr.	Sp	Material	Box
99801	M10	Stainless steel	50 pcs
99802	M12	Stainless steel	50 pcs
99804	M16	Stainless steel	10 pcs
99805	M20	Stainless steel	10 pcs
Art-Nr.	Sp	Material	Box
99801Z	M10	Zinc plated steel	50 pcs
99802Z	M12	Zinc plated steel	50 pcs
99804Z	M16	Zinc plated steel	10 pcs
99805Z	M20	Zinc plated steel	10 pcs



## Ø40

DIAMETER (mm)

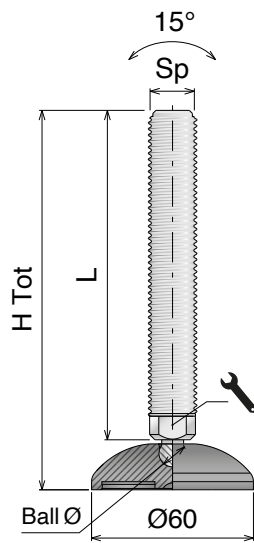
Art-Nr.	Art-Nr.	Sp	H Tot (mm)	L (mm)	Ball Ø (mm)	Wrench (mm)		Load (N)
SS	FeZn					7	9	
90101	90101Z	M10	50	35	6.85	7	-	10.000
90102	90102Z		100	85	6.85	7	-	
90103	90103Z		150	135	6.85	7	-	
90201	90201Z	M12	75	60	10	9	-	12.000
90202	90202Z		100	85	10	9	-	
90203	90203Z		150	135	10	9	-	
90301	90301Z	M16	75	60	10	13	-	15.000
90302	90302Z		100	85	10	13	-	
90303	90303Z		150	135	10	13	-	
90301H	90301ZH		75	60	10	-	16	
90302H	90302ZH		100	85	10	-	16	
90303H	90303ZH		150	135	10	-	16	



## Ø50

DIAMETER (mm)

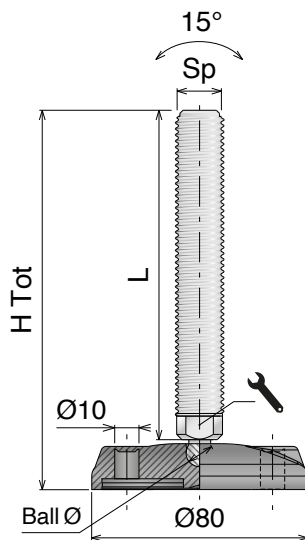
Art-Nr.	Art-Nr.	Sp	H Tot (mm)	L (mm)	Ball Ø (mm)	Wrench (mm)		Load (N)
SS	FeZn					7	9	
90401	90401Z	M10	50	35	6.85	7	-	10.000
90402	90402Z		100	85	6.85	7	-	
90403	90403Z		150	135	6.85	7	-	
90501	90501Z	M12	75	60	10	9	-	12.000
90502	90502Z		100	85	10	9	-	
90503	90503Z		150	135	10	9	-	
90601	90601Z	M16	75	60	10	13	-	15.000
90602	90602Z		100	85	10	13	-	
90603	90603Z		150	135	10	13	-	
90601H	90601ZH		75	60	10	-	16	
90602H	90602ZH		100	85	10	-	16	
90603H	90603ZH		150	135	10	-	16	



## Ø60

DIAMETER (mm)

Art-Nr.	Art-Nr.	Sp	H Tot (mm)	L (mm)	Ball Ø (mm)	Wrench (mm)		Load (N)
SS	FeZn					9	13	
90701	90701Z	M12	80	60	10	9	-	12.000
90702	90702Z		105	85	10	9	-	
90703	90703Z		155	135	10	9	-	
90801	90801Z	M16	105	85	10	13	-	15.000
90802	90802Z		155	135	10	13	-	
90803	90803Z		205	185	10	13	-	
90801H	90801ZH		105	85	10	-	16	
90802H	90802ZH		155	135	10	-	16	
90803H	90803ZH		205	185	10	-	16	
90901	90901Z	M20	105	85	14,5	16	-	16.000
90902	90902Z		155	135	14,5	16	-	
90903	90903Z		205	185	14,5	16	-	
90901H	90901ZH		105	85	14,5	-	20	
90902H	90902ZH		155	135	14,5	-	20	
90903H	90903ZH		205	185	14,5	-	20	



## Ø80

DIAMETER (mm)



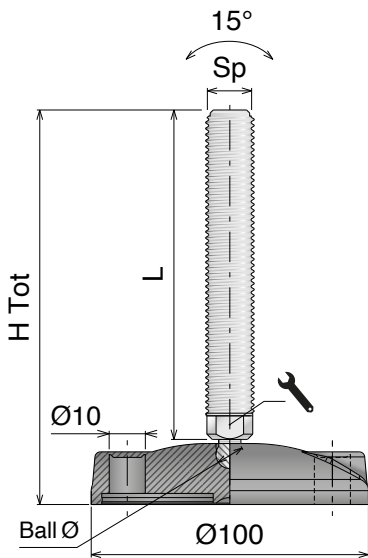
Art-Nr.	Art-Nr.	Sp	H Tot (mm)	L (mm)	Ball Ø (mm)	Wrench (mm)		Load (N)
SS	FeZn					9	13	
95301	95301Z	M12	80	60	10	9	-	12.000
95302	95302Z		105	85	10	9	-	
95303	95303Z		155	135	10	9	-	
95401	95401Z	M16	105	85	10	13	-	15.000
95402	95402Z		155	135	10	13	-	
95403	95403Z		205	185	10	13	-	
95401H	95401ZH		105	85	10	-	16	
95402H	95402ZH		155	135	10	-	16	
95403H	95403ZH		205	185	10	-	16	
95501	95501Z	M20	105	85	14,5	16	-	18.000
95502	95502Z		155	135	14,5	16	-	
95503	95503Z		205	185	14,5	16	-	
95501H	95501ZH		105	85	14,5	-	20	
95502H	95502ZH		155	135	14,5	-	20	
95503H	95503ZH		205	185	14,5	-	20	



Materiale / Material / Materialien:

SS: Acciaio inox / Stainless steel / Edelstahl

FeZn: Ferro zincato / Zinc plated steel / Stahl Verzinkt



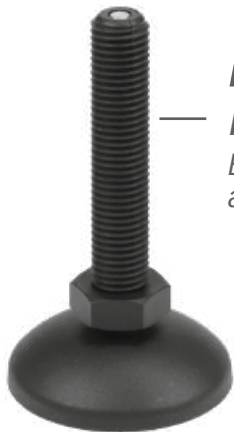
## Ø 100

DIAMETER (mm)



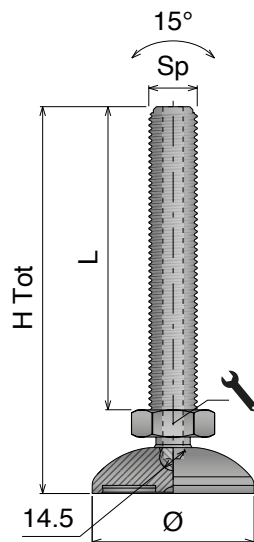
FIXING POINT

Art-Nr.	Art-Nr.	Sp	H Tot (mm)	L (mm)	Ball Ø (mm)	Wrench (mm)		Load (N)
SS	FeZn					13	16	
95601	95601Z		108	85	10	13	-	15.000
95602	95602Z		158	135	10	13	-	
95603	95603Z	M16	208	185	10	13	-	
95601H	95601ZH		108	85	10	-	16	
95602H	95602ZH		158	135	10	-	16	
95603H	95603ZH		208	185	10	-	16	
95701	95701Z		108	85	14,5	16	-	18.000
95702	95702Z		158	135	14,5	16	-	
95703	95703Z	M20	208	185	14,5	16	-	
95701H	95701ZH		108	85	14,5	-	20	
95702H	95702ZH		158	135	14,5	-	20	
95703H	95703ZH		208	185	14,5	-	20	



## Basic Series POLYAMIDE VERSION

Base and spindle made in polyamide and zinc plated insert.



## Ø 60

DIAMETER (mm)



POLYAMIDE

Art-Nr.	Sp	H Tot (mm)	L (mm)	Wrench (mm)	Load (N)
FeZn insert				24	
90810PH	M16	105	76	24	12.000

## Ø 80

DIAMETER (mm)



FIXING POINT



POLYAMIDE

Art-Nr.	Sp	H Tot (mm)	L (mm)	Wrench (mm)	Load (N)
FeZn insert				24	
95410PH	M16	105	76	24	12.000

## Ø 100

DIAMETER (mm)



FIXING POINT



POLYAMIDE

Art-Nr.	Sp	H Tot (mm)	L (mm)	Wrench (mm)	Load (N)
FeZn insert				24	
95710PH	M16	110	76	24	12.000

## Articulated Series

Delivery: **Easy** **Standard**

### Main features:

- Molded baseplate in polyamide
- Spindle in austenitic stainless steel or zinc plated steel

### Other versions available:

- Anti-slip NBR rubber pad
- Double floor fixation
- With PA ball



The **ARTICULATED series**, with plastic baseplate and fully threaded spindle is the standard choice for the industrial environments.

The spindle is made with hexagonal key wrench and available in two different materials, zinc plated steel or stainless steel and the baseplate is available with or without rubber pad.

Maximum compressive strength (static load) as in the table, maximum tensile strength (static load) 500 N.

## Accessori / Accessories / Zubehör



### Gomma anti-scivolo Anti-slip pad/Gummiplatte

Art-Nr.	For base
99607	Ø110
99608	Ø123



### Dadi Nuts/Sechskantmuttern

Art-Nr.	Sp	Material	Box
99804	M16	Stainless steel	10 pcs
99805	M20	Stainless steel	10 pcs
99806	M24	Stainless steel	5 pcs
Art-Nr.	Sp	Material	Box
99804Z	M16	Zinc plated steel	10 pcs
99805Z	M20	Zinc plated steel	10 pcs
99806Z	M24	Zinc plated steel	5 pcs

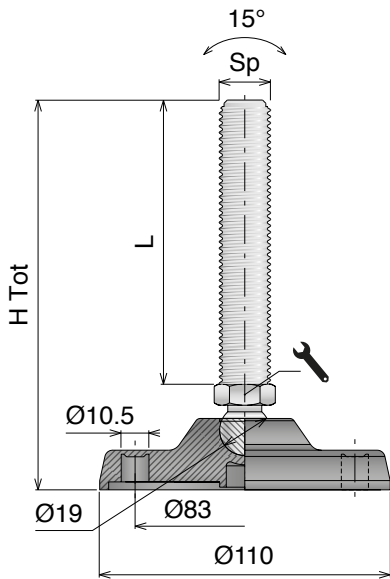
**Materiale / Material / Materialien:**

SS: Acciaio inox / Stainless steel / Edelstahl

FeZn: Ferro zincato / Zinc plated steel / Stahl Verzinkt

# Articulated Series

Piedi di livellamento / Leveling feet / Nivellierfüße



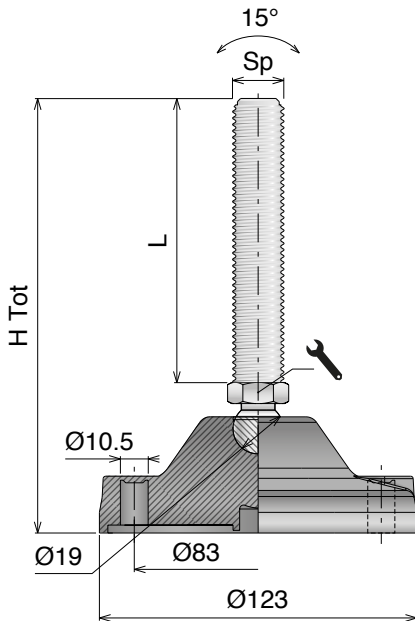
## Ø110

DIAMETER (mm)



FIXING POINT

Art-Nr.	Art-Nr.	Sp	H Tot (mm)	L (mm)	Wrench (mm)	Load (N)
SS	FeZn					
94301H	94301ZH	M16	155	115	20	15.000
94302H	94302ZH		185	145	20	
94303H	94303ZH		235	195	20	
94401H	94401ZH	M20	155	115	20	
94402H	94402ZH		185	145	20	
94403H	94403ZH		235	195	20	
94501H	94501ZH	M24	155	115	24	18.000
94502H	94502ZH		185	145	24	
94503H	94503ZH		235	195	24	



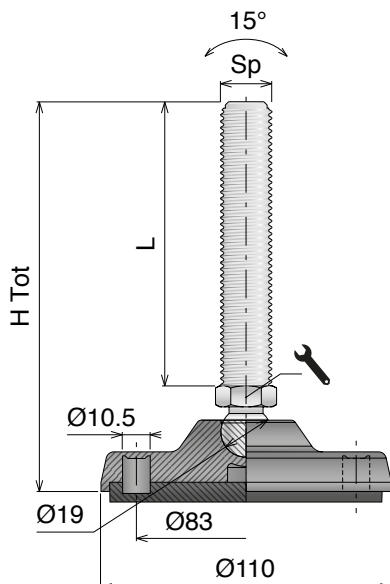
## Ø123

DIAMETER (mm)



FIXING POINT

Art-Nr.	Art-Nr.	Sp	H Tot (mm)	L (mm)	Wrench (mm)	Load (N)
SS	FeZn					
94801H	94801ZH	M16	175	115	20	25.000
94802H	94802ZH		205	145	20	
94803H	94803ZH		255	195	20	
94901H	94901ZH	M20	175	115	20	
94902H	94902ZH		205	145	20	
94903H	94903ZH		255	195	20	
95001H	95001ZH	M24	175	115	24	
95002H	95002ZH		205	145	24	
95003H	95003ZH		255	195	24	



## Ø110

DIAMETER (mm)



FIXING POINT



ANTI-SLIP

Art-Nr.	Art-Nr.	Sp	H Tot (mm)	L (mm)	Wrench (mm)	Load (N)
SS	FeZn					
94351H	94351ZH	M16	155	115	20	15.000
94352H	94352ZH		185	145	20	
94353H	94353ZH		235	195	20	
94451H	94451ZH	M20	155	115	20	
94452H	94452ZH		185	145	20	
94453H	94453ZH		235	195	20	
94551H	94551ZH	M24	155	115	24	18.000
94552H	94552ZH		185	145	24	
94553H	94553ZH		235	195	24	

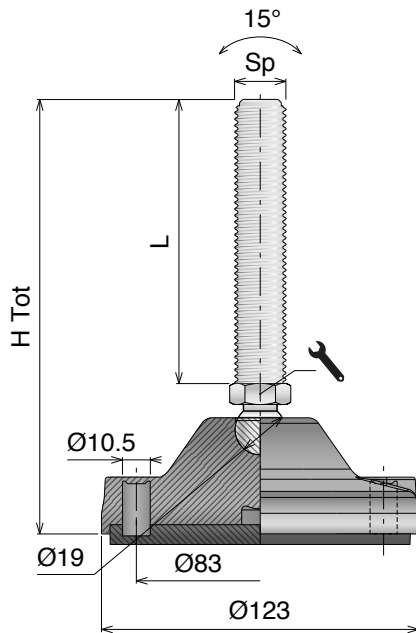
# Articulated Series

Piedi di livellamento / Leveling feet / Nivellierfüße

Materiale / Material / Materialien:

SS: Acciaio inox / Stainless steel / Edelstahl

FeZn: Ferro zincato / Zinc plated steel / Stahl Verzinkt



## Ø123

DIAMETER (mm)

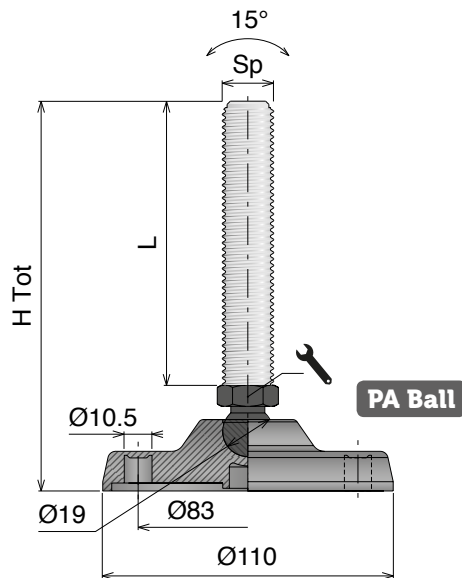


FIXING POINT



ANTI-SLIP

Art-Nr.	Art-Nr.	Sp	H Tot (mm)	L (mm)	Wrench (mm)	Load (N)
SS	FeZn				⬡	
94851H	94851ZH	M16	175	115	20	25.000
94852H	94852ZH		205	145	20	
94853H	94853ZH		255	195	20	
94951H	94951ZH	M20	175	115	20	25.000
94952H	94952ZH		205	145	20	
94953H	94953ZH		255	195	20	
95051H	95051ZH	M24	175	115	24	25.000
95052H	95052ZH		205	145	24	
95053H	95053ZH		255	195	24	



## Ø110

DIAMETER (mm)



PA-BALL

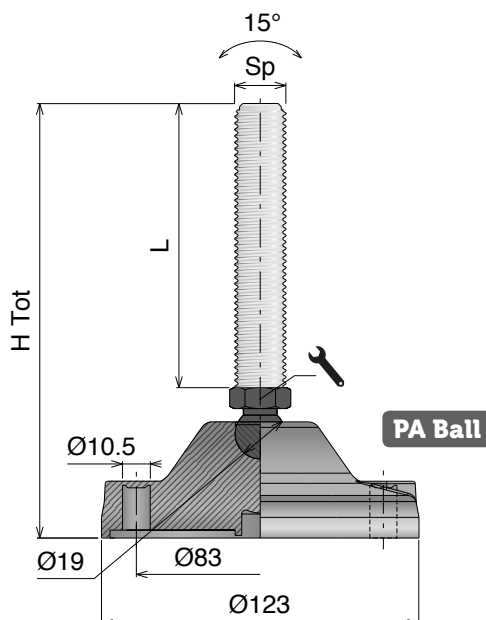


FIXING POINT

Art-Nr.	Art-Nr.	Sp	H Tot (mm)	L (mm)	Wrench (mm)	Load (N)
SS	FeZn				⬡	
-	94601ZH	M16	155	115	24	12.000
94602H	94602ZH		185	145	24	
94603H	94603ZH		235	195	24	
94701H	94701ZH	M20	155	115	24	12.000
-	94702ZH		185	145	24	
94703H	94703ZH		235	195	24	



Best Value



## Ø123

DIAMETER (mm)



PA-BALL



FIXING POINT

Art-Nr.	Art-Nr.	Sp	H Tot (mm)	L (mm)	Wrench (mm)	Load (N)
SS	FeZn				⬡	
-	95101ZH	M16	175	115	24	20.000
95102H	95102ZH		205	145	24	
95103H	95103ZH		255	195	24	
95201H	95201ZH	M20	175	115	24	20.000
-	95202ZH		205	145	24	
95203H	95203ZH		255	195	24	



Best Value

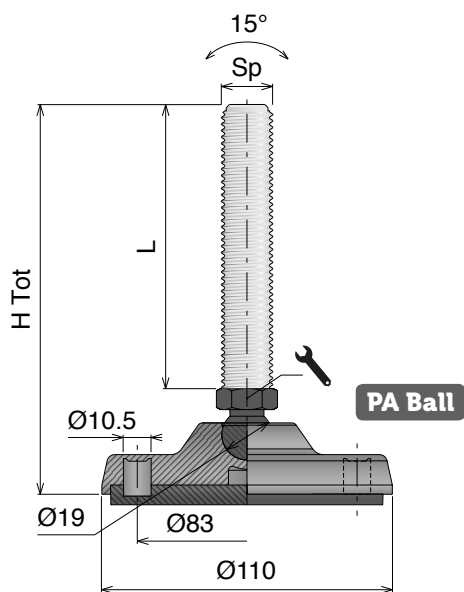
Materiale / Material / Materialien:

SS: Acciaio inox / Stainless steel / Edelstahl

FeZn: Ferro zincato / Zinc plated steel / Stahl Verzinkt

# Articulated Series

Piedi di livellamento / Leveling feet / Nivellierfüße



## Ø110

DIAMETER (mm)



PA-BALL



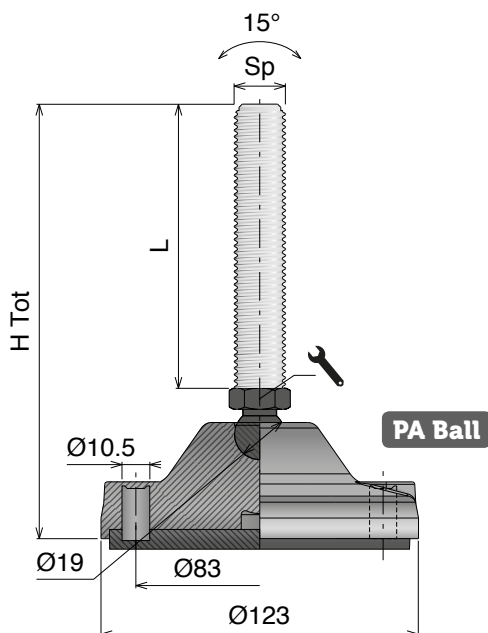
FIXING POINT X2



ANTI-SLIP

Art-Nr.	Art-Nr.	Sp	H Tot (mm)	L (mm)	Wrench (mm)	Load (N)
SS	FeZn				24	
-	94651ZH	M16	155	115	24	12.000
94652H	94652ZH		185	145	24	
94653H	94653ZH		235	195	24	
94751H	94751ZH	M20	155	115	24	12.000
-	94752ZH		185	145	24	
94753H	94753ZH		235	195	24	

Best Value



## Ø123

DIAMETER (mm)



PA-BALL



FIXING POINT X2



ANTI-SLIP

Art-Nr.	Art-Nr.	Sp	H Tot (mm)	L (mm)	Wrench (mm)	Load (N)
SS	FeZn				24	
-	95151ZH	M16	175	115	24	20.000
95152H	95152ZH		205	145	24	
95153H	95153ZH		255	195	24	
95251H	95251ZH	M20	175	115	24	20.000
-	95252ZH		205	145	24	
95253H	95253ZH		255	195	24	

Best Value

## Muscle Series

Delivery: **Easy** **Standard**

### Main features:

- Molded baseplate in polyamide
- Spindle in austenitic stainless steel or zinc plated steel
- Washer in austenitic stainless steel
- Double floor fixation points

### Other versions available:

- Anti-slip NBR rubber pad
- Double floor fixation



The **MUSCLE series**, with plastic baseplate, fully threaded spindle and stainless steel washer is the standard choice for the industrial environments.

The spindle can be made with flat or hexagonal key wrench and is available in two different materials, zinc plated steel or stainless steel and the baseplate is available with or without rubber pad.

The spindle is fixed by using a circlip or with a self-locking nut.

Maximum compressive strength (static load) as in the table, maximum tensile strength (static load) 1.000 N

## Accessori / Accessories / Zubehör



**Gomma anti-scivolo**  
Anti-slip pad/Gummiplatte

Art-Nr.	For base
99608	Ø123



**Dadi**  
Nuts/Sechskantmuttern

Art-Nr.	Sp	Material	Box
99805	M20	Stainless steel	10 pcs
99806	M24	Stainless steel	5 pcs
99807	M30	Stainless steel	5 pcs

Art-Nr.	Sp	Material	Box
99805Z	M20	Zinc plated steel	10 pcs
99806Z	M24	Zinc plated steel	5 pcs
99807Z	M30	Zinc plated steel	5 pcs

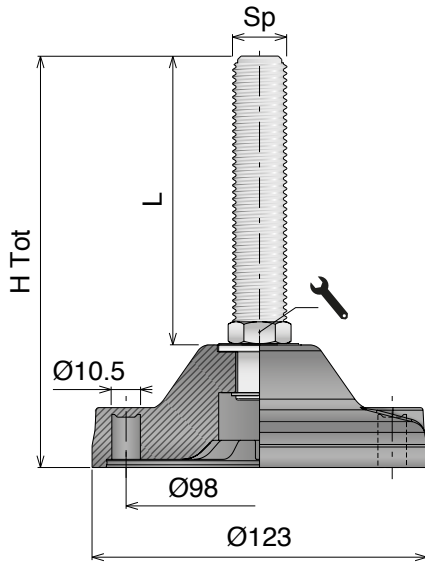
**Materiale / Material / Materialien:**

SS: Acciaio inox / Stainless steel / Edelstahl

FeZn: Ferro zincato / Zinc plated steel / Stahl Verzinkt

# Muscle Series

Piedi di livellamento / Leveling feet / Nivellierfüße



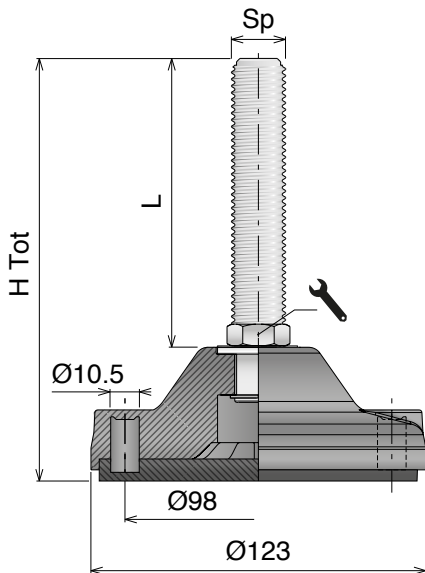
## Ø123 Type A

DIAMETER (mm)



FIXING POINT

Art-Nr.	Art-Nr.	Sp	H Tot (mm)	L (mm)	Wrench (mm)	Load (N)
SS	FeZn				20	
95801H	95801ZH	M20	150	98	20	30.000
95802H	95802ZH		200	148	20	
95803H	95803ZH		250	198	20	
95901H	95901ZH	M24	150	98	24	30.000
95902H	95902ZH		200	148	24	
95903H	95903ZH		250	198	24	



## Ø123 Type A

DIAMETER (mm)

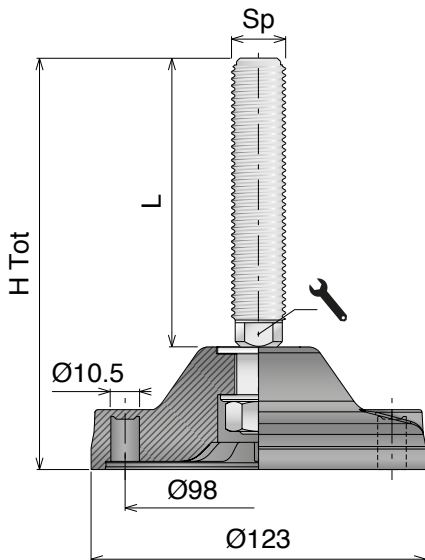


FIXING POINT



ANTI-SLIP

Art-Nr.	Art-Nr.	Sp	H Tot (mm)	L (mm)	Wrench (mm)	Load (N)
SS	FeZn				20	
95851H	95851ZH	M20	150	98	20	30.000
95852H	95852ZH		200	148	20	
95853H	95853ZH		250	198	20	
95951H	95951ZH	M24	150	98	24	30.000
95952H	95952ZH		200	148	24	
95953H	95953ZH		250	198	24	



## Ø123 Type B

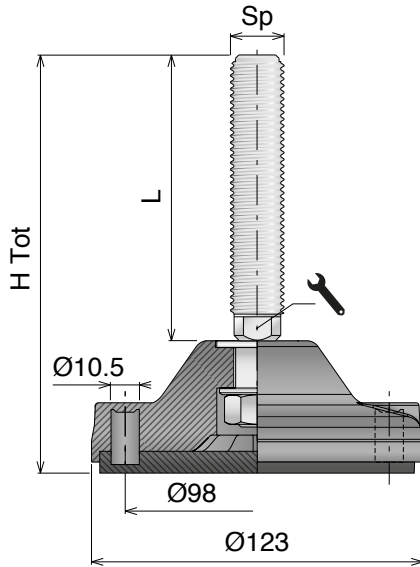
DIAMETER (mm)



FIXING POINT

Art-Nr.	Art-Nr.	Sp	H Tot (mm)	L (mm)	Wrench (mm)	Load (N)
SS	FeZn				16	
93102	93102Z	M20	200	148	16	30.000
93103	93103Z		250	198	16	
93202	93202Z	M24	200	148	19	30.000
93203	93203Z		250	198	19	
93302	93302Z	M30	200	148	24	30.000
93303	93303Z		250	198	24	





## Ø123 Type B

DIAMETER (mm)

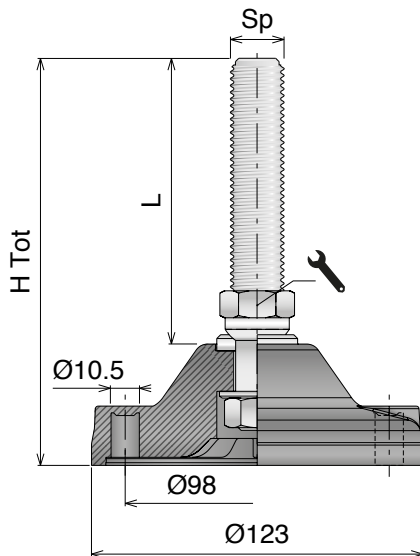


FIXING POINT



ANTI-SLIP

Art-Nr.	Art-Nr.	Sp	H Tot (mm)	L (mm)	Wrench (mm)	Load (N)
SS	FeZn				Hex	
<b>93152</b>	<b>93152Z</b>	M20	200	148	16	30.000
<b>93153</b>	<b>93153Z</b>		250	198	16	
<b>93252</b>	<b>93252Z</b>	M24	200	148	19	30.000
<b>93253</b>	<b>93253Z</b>		250	198	19	
<b>93352</b>	<b>93352Z</b>	M30	200	148	24	30.000
<b>93353</b>	<b>93353Z</b>		250	198	24	



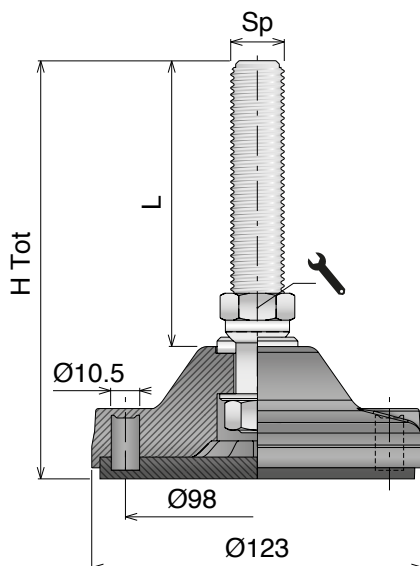
## Ø123 Type C

DIAMETER (mm)



FIXING POINT

Art-Nr.	Art-Nr.	Sp	H Tot (mm)	L (mm)	Wrench (mm)	Load (N)
SS	FeZn				Hex	
<b>98103H</b>	<b>98103ZH</b>	M20	250	198	24	30.000
<b>98203H</b>	<b>98203ZH</b>	M24	250	198	24	
<b>98302H</b>	<b>98302ZH</b>	M30	200	148	32	30.000
<b>98303H</b>	<b>98303ZH</b>		250	198	32	



## Ø123 Type C

DIAMETER (mm)



FIXING POINT



ANTI-SLIP

Art-Nr.	Art-Nr.	Sp	H Tot (mm)	L (mm)	Wrench (mm)	Load (N)
SS	FeZn				Hex	
<b>98153H</b>	<b>98153ZH</b>	M20	250	198	24	30.000
<b>98253H</b>	<b>98253ZH</b>	M24	250	198	24	
<b>98352H</b>	<b>98352ZH</b>	M30	200	148	32	30.000
<b>98353H</b>	<b>98353ZH</b>		250	198	32	

## P400R Series

RANGE EXTENSION

Delivery: **Easy** **Standard**

### Main features:

- Molded baseplate in polyamide
- Spindle in austenitic stainless steel or zinc plated steel
- Washer in austenitic stainless steel

### Versions available:

- Anti-slip NBR rubber pad
- Double floor fixation



The **P400R series**, with plastic baseplate, fully threaded spindle and stainless steel washer is the best choice for industrial environments where a medium-high level of hygiene is required.

The compact baseplate and the smooth edges guarantee an excellent cleanability, even in critical conditions and the stainless steel washer ensures complete closure between the spindle and the baseplate.

Maximum compressive strength (static load) as in the table, maximum tensile strength (static load) 500 N.

## Accessori / Accessories / Zubehör



### Gomma anti-scivolo Anti-slip pad/Gummiplatte

Art-Nr.	For base
99604	Ø80
99605	Ø100
99606	Ø120



### Dadi Nuts/Sechskantmuttern

Art-Nr.	Sp	Material	Box
99802	M12	Stainless steel	10 pcs
99804	M16	Stainless steel	10 pcs
99805	M20	Stainless steel	10 pcs
99806	M24	Stainless steel	5 pcs
99802Z	M12	Zinc plated steel	10 pcs
99804Z	M16	Zinc plated steel	10 pcs
99805Z	M20	Zinc plated steel	10 pcs
99806Z	M24	Zinc plated steel	5 pcs

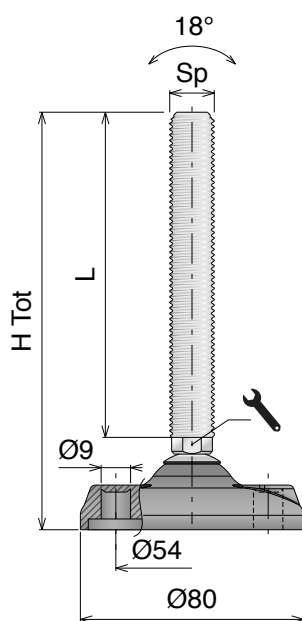
# P400R Series

Piedi di livellamento / Leveling feet / Nivellierfüße

Materiale / Material / Materialien:

SS: Acciaio inox / Stainless steel / Edelstahl

FeZn: Ferro zincato / Zinc plated steel / Stahl Verzinkt

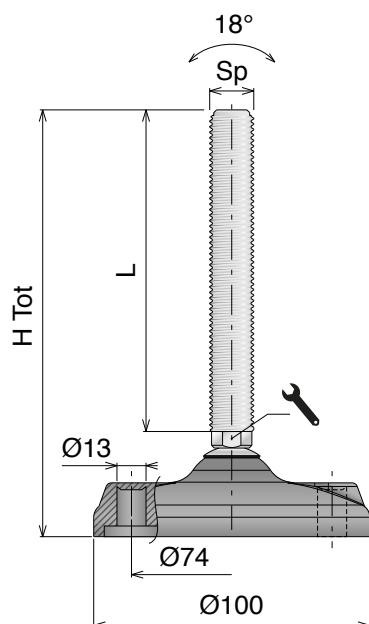


## Ø80

DIAMETER (mm)

 x2  
FIXING POINT


Art-Nr.	Art-Nr.	Sp	H Tot (mm)	L (mm)	Wrench (mm)		Load (N)
SS	FeZn				9	13	
91001	91001Z	M12	100	67	9	-	12.000
91002	91002Z		150	117	9	-	
91003	91003Z		200	167	9	-	
91101	91101Z	M16	95	61	13	-	15.000
91102	91102Z		145	111	13	-	
91103	91103Z		195	161	13	-	
91101H	91101ZH		95	61	-	16	
91102H	91102ZH		145	111	-	16	
91103H	91103ZH		195	161	-	16	
91201	91201Z	M20	120	84	16	-	16.000
91202	91202Z		170	134	16	-	
91203	91203Z		220	184	16	-	
91201H	91201ZH		120	84	-	20	
91202H	91202ZH		170	134	-	20	
91203H	91203ZH		220	184	-	20	

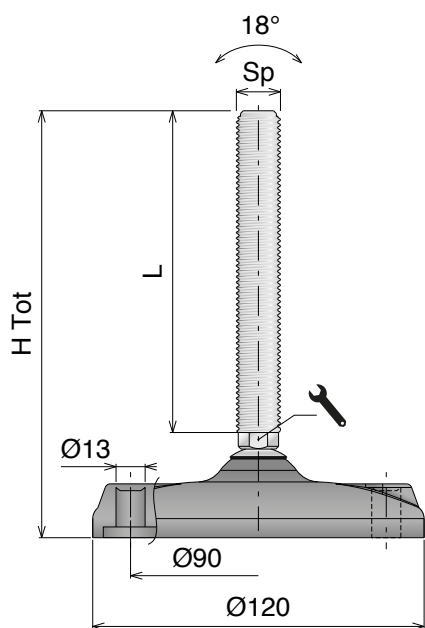


## Ø100

DIAMETER (mm)

 x2  
FIXING POINT

Art-Nr.	Art-Nr.	Sp	H Tot (mm)	L (mm)	Wrench (mm)		Load (N)
SS	FeZn				13	16	
 91301	91301Z	M16	100	61	13	-	15.000
91302	91302Z		150	111	13	-	
91303	91303Z		200	161	13	-	
91301H	91301ZH		100	61	-	16	
91302H	91302ZH		150	111	-	16	
91303H	91303ZH		200	161	-	16	
91401	91401Z	M20	125	84	16	-	16.000
91402	91402Z		175	134	16	-	
91403	91403Z		225	184	16	-	
91401H	91401ZH		125	84	-	20	
91402H	91402ZH		175	134	-	20	
91403H	91403ZH		225	184	-	20	
91501	91501Z	M24	125	83	19	-	18.000
91502	91502Z		175	133	19	-	
91503	91503Z		225	183	19	-	

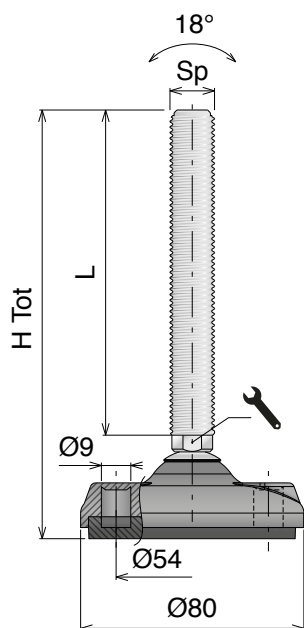


## Ø120

DIAMETER (mm)

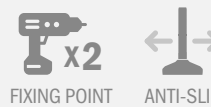


Art-Nr.	Art-Nr.	Sp	H Tot (mm)	L (mm)	Wrench (mm)		Load (N)
SS	FeZn				Hex	Hex	
91601	91601Z	M16	100	61	13	-	15.000
91602	91602Z		150	111	13	-	
91603	91603Z		200	161	13	-	
91601H	91601ZH		100	61	-	16	
91602H	91602ZH		150	111	-	16	
91603H	91603ZH		200	161	-	16	
91701	91701Z	M20	125	84	16	-	16.000
91702	91702Z		175	134	16	-	
91703	91703Z		225	184	16	-	
91701H	91701ZH		125	84	-	20	
91702H	91702ZH		175	134	-	20	
91703H	91703ZH		225	184	-	20	
91801	91801Z	M24	125	83	19	-	18.000
91802	91802Z		175	133	19	-	
91803	91803Z		225	183	19	-	



## Ø80

DIAMETER (mm)



Art-Nr.	Art-Nr.	Sp	H Tot (mm)	L (mm)	Wrench (mm)		Load (N)
SS	FeZn				Hex	Hex	
91001R	91001ZR	M12	103	67	9	-	12.000
91002R	91002ZR		153	117	9	-	
91003R	91003ZR		203	167	9	-	
91101R	91101ZR	M16	98	61	13	-	15.000
91102R	91102ZR		148	111	13	-	
91103R	91103ZR		198	161	13	-	
91101HR	91101ZHR		98	61	-	16	
91102HR	91102ZHR		148	111	-	16	
91103HR	91103ZHR		198	161	-	16	
91201R	91201ZR	M20	123	84	16	-	16.000
91202R	91202ZR		173	134	16	-	
91203R	91203ZR		223	184	16	-	
91201HR	91201ZHR		123	84	-	20	
91202HR	91202ZHR		173	134	-	20	
91203HR	91203ZHR		223	184	-	20	

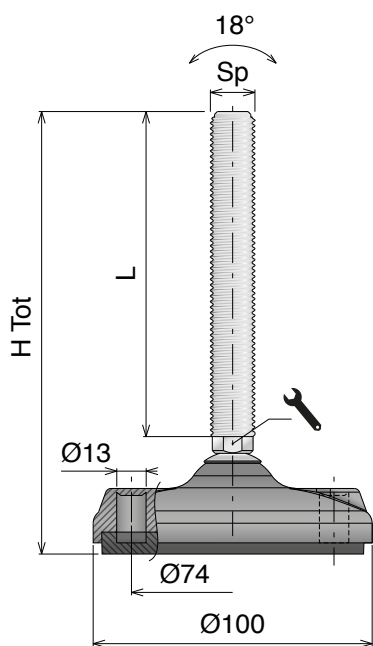
# P400R Series

Piedi di livellamento / Leveling feet / Nivellierfüße

**Materiale / Material / Materialien:**

**SS:** Acciaio inox / Stainless steel / Edelstahl

**FeZn:** Ferro zincato / Zinc plated steel / Stahl Verzinkt



## Ø 100

DIAMETER (mm)

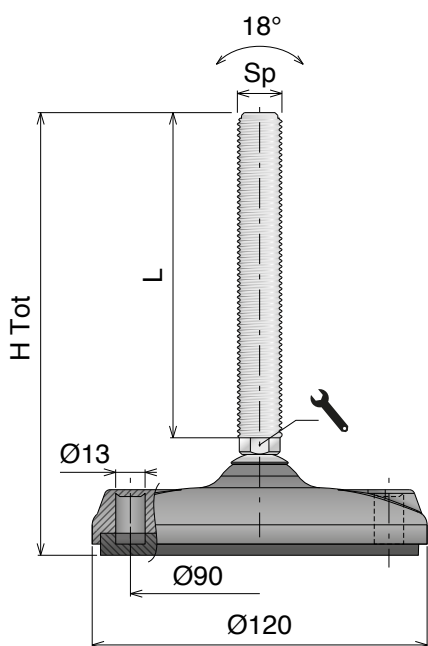


FIXING POINT



ANTI-SLIP

Art-Nr.	Art-Nr.	Sp	H Tot (mm)	L (mm)	Key (mm)		Load (N)
SS	FeZn				Hex	Round	
91301R	91301ZR	M16	103	61	13	-	15.000
91302R	91302ZR		153	111	13	-	
91303R	91303ZR		203	161	13	-	
91301HR	91301ZHR		103	61	-	16	
91302HR	91302ZHR		153	111	-	16	
91303HR	91303ZHR		203	161	-	16	
91401R	91401ZR	M20	128	84	16	-	16.000
91402R	91402ZR		178	134	16	-	
91403R	91403ZR		228	184	16	-	
91401HR	91401ZHR		128	84	-	20	
91402HR	91402ZHR		178	134	-	20	
91403HR	91403ZHR		228	184	-	20	
91501R	91501ZR	M24	128	83	19	-	18.000
91502R	91502ZR		178	133	19	-	
91503R	91503ZR		228	183	19	-	



## Ø 120

DIAMETER (mm)



FIXING POINT



ANTI-SLIP

Art-Nr.	Art-Nr.	Sp	H Tot (mm)	L (mm)	Key (mm)		Load (N)
SS	FeZn				Hex	Round	
91601R	91601ZR	M16	103	61	13	-	15.000
91602R	91602ZR		153	111	13	-	
91603R	91603ZR		203	161	13	-	
91601HR	91601ZHR		103	61	-	16	
91602HR	91602ZHR		153	111	-	16	
91603HR	91603ZHR		203	161	-	16	
91701R	91701ZR	M20	128	84	16	-	16.000
91702R	91702ZR		178	134	16	-	
91703R	91703ZR		228	184	16	-	
91701HR	91701ZHR		128	84	-	20	
91702HR	91702ZHR		178	134	-	20	
91703HR	91703ZHR		228	184	-	20	
91801R	91801ZR	M24	128	83	19	-	18.000
91802R	91802ZR		178	133	19	-	
91803R	91803ZR		228	183	19	-	

## STEEL Series

Delivery: **Easy** Standard

### Main features:

- Stamped baseplate in austenitic stainless steel or zinc plated steel
- Spindle in austenitic stainless steel or zinc plated steel



The **STEEL series**, with stamped baseplate and fully threaded spindle is the standard choice for the industrial environments, where a low level of hygiene and low load are required.

Ideal for heavy and dirty production environments, the STEEL series can be provided without fixing holes, with 2 fixing holes or with 4 fixing holes.

The spindle is made with hexagonal key wrench and is available in two different materials, zinc plated steel or stainless steel.

Maximum compressive strength (static load) 10.000 N, maximum tensile strength (static load) 4.000 N.

## Accessori / Accessories / Zubehör



### Dadi Nuts/Sechskantmuttern

Art-Nr.	Sp	Material	Box
<b>99804</b>	M16	Stainless steel	10 pcs
<b>99805</b>	M20	Stainless steel	10 pcs
<b>99806</b>	M24	Stainless steel	5 pcs
<b>99807</b>	M30	Stainless steel	5 pcs

Art-Nr.	Sp	Material	Box
<b>99804Z</b>	M16	Zinc plated steel	10 pcs
<b>99805Z</b>	M20	Zinc plated steel	10 pcs
<b>99806Z</b>	M24	Zinc plated steel	5 pcs
<b>99807Z</b>	M30	Zinc plated steel	5 pcs

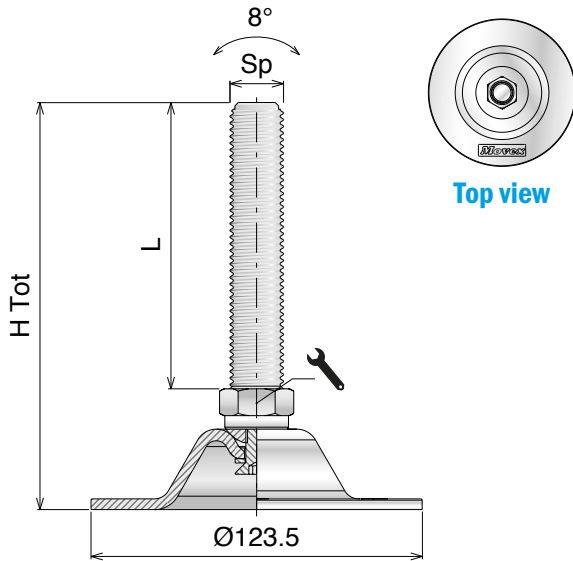
# STEEL Series

Piedi di livellamento / Leveling feet / Nivellierfüße

Materiale / Material / Materialien:

SS: Acciaio inox / Stainless steel / Edelstahl

FeZn: Ferro zincato / Zinc plated steel / Stahl Verzinkt

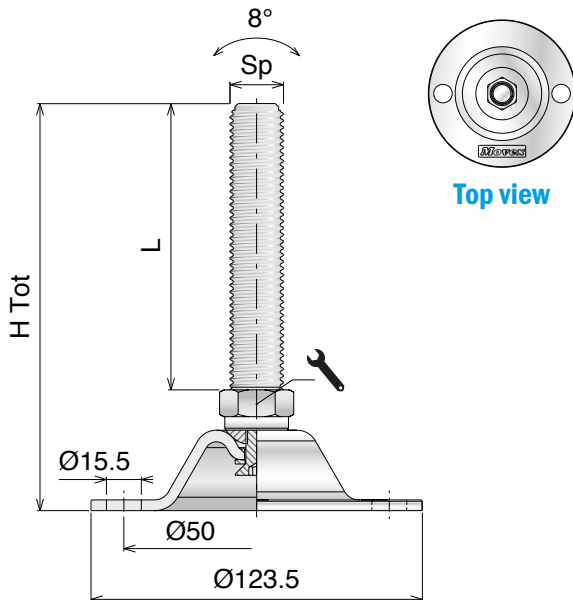


Top view

## Ø123

DIAMETER (mm)

Art-Nr.	Art-Nr.	Sp	H Tot (mm)	L (mm)	Wrench (mm)	Load (N)
SS	FeZn				Hex	
96801H	96801ZH	M16	155	115	20	10.000
96802H	96802ZH		175	135	20	
96901H	96901ZH	M20	160	115	24	
96902H	96902ZH		175	135	24	
97001H	97001ZH	M24	170	125	24	
97002H	97002ZH		230	185	24	
97101H	97101ZH	M30	170	125	32	
97102H	97102ZH		230	185	32	



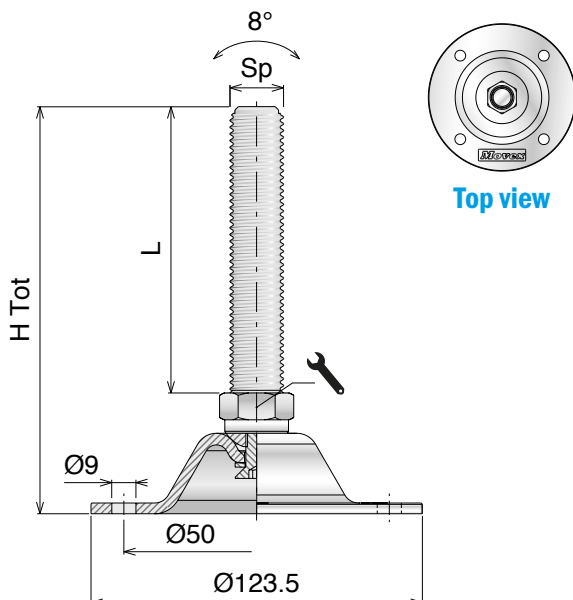
Top view

## Ø123

DIAMETER (mm)



Art-Nr.	Art-Nr.	Sp	H Tot (mm)	L (mm)	Wrench (mm)	Load (N)
SS	FeZn				Hex	
96401H	96401ZH	M16	155	115	20	10.000
96402H	96402ZH		175	135	20	
96501H	96501ZH	M20	160	115	24	
96502H	96502ZH		175	135	24	
96601H	96601ZH	M24	170	125	24	
96602H	96602ZH		230	185	24	
96701H	96701ZH	M30	170	125	32	
96702H	96702ZH		230	185	32	



Top view

## Ø123

DIAMETER (mm)



Art-Nr.	Art-Nr.	Sp	H Tot (mm)	L (mm)	Wrench (mm)	Load (N)
SS	FeZn				Hex	
96001H	96001ZH	M16	155	115	20	10.000
96002H	96002ZH		175	135	20	
96101H	96101ZH	M20	160	115	24	
96102H	96102ZH		175	135	24	
96201H	96201ZH	M24	170	125	24	
96202H	96202ZH		230	185	24	
96301H	96301ZH	M30	170	125	32	
96302H	96302ZH		230	185	32	



## S400 Series STAINLESS STEEL LEVELERS WITH FULLY THREADED SPINDLE

RANGE EXTENSION

### S400

**Main features:**

- Overmolded baseplate in austenitic stainless steel
- Spindle in austenitic stainless steel
- Washer in austenitic stainless steel
- Vulcanized anti-slip NBR rubber

**Versions available:**

- Single floor fixation



### S400 SPLIT

**Main features:**

- Overmolded baseplate in austenitic stainless steel
- Spindle in austenitic stainless steel
- Separate spindle and baseplate
- Vulcanized anti-slip NBR rubber



### S400 HEAVY

**Main features:**

- Full machined baseplate in austenitic stainless steel
- Spindle in austenitic stainless steel
- Washer in austenitic stainless steel

**Versions available:**

- Vulcanized anti-slip NBR rubber
- Double floor fixation



### S400 HEAVY-SPLIT

**Main features:**

- Full machined baseplate in austenitic stainless steel
- Spindle in austenitic stainless steel
- Separate spindle and baseplate

**Versions available:**

- Vulcanized anti-slip NBR rubber



The **S400 series**, with overmolded base plate in austenitic stainless steel, fully threaded spindle and stainless steel washer is the best choice for industrial environments where a high level of hygiene is required.

The stainless steel baseplate and its particular shape guarantees an excellent cleanability, even in critical conditions; the stainless steel washer ensures complete closure between the spindle and the baseplate and the NBR rubber guarantees anti-slip properties and hermetic closure between the leveller and the floor.

Maximum compressive strength (static load) as in the table, maximum tensile strength (static load) 4.000 N (S400); 8.000 N (S400 HEAVY); NOT AVAILABLE (SPLIT and HEAVY-SPLIT).



Core product range of Easy Clean Levelling Feet can be found [here](#).

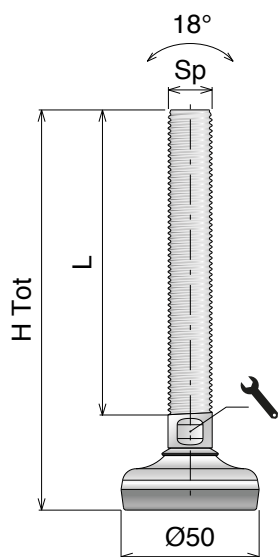
# S400 Series

Piedi di livellamento / Leveling feet / Nivellierfüße

On request vulcanized rubber can be provided white or blue and spindle can be made in AISI 316.

## Materiale / Material / Materialien:

Base, stelo e rondella: Acciaio inox  
Base plate, spindle and washer: Stainless steel  
Fussplatte, Spindel und Scheibe: Edelstahl

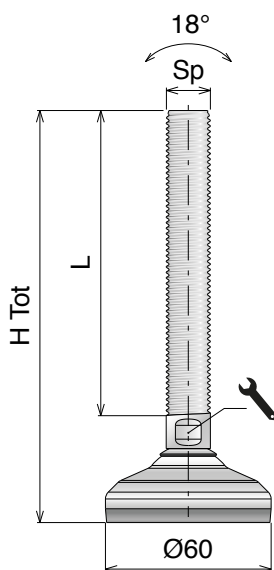


## Ø50

DIAMETER (mm)



Art-Nr.	Sp	H Tot (mm)	L (mm)	Wrench (mm)	Load (N)
901001	M10	85,8	50,5	8	3.000
901002		115,8	80,5	8	
901003		145,8	110,5	8	
901004	M12	85,8	50,8	10	3.000
901005		115,8	80,8	10	
901006		145,8	110,8	10	
901007		175,8	140,8	10	
901008	M16	85,8	51,3	13	3.000
901009		115,8	81,3	13	
901010		145,8	111,3	13	
901011		175,8	141,3	13	
901012		225,8	191,3	13	
901013	M20	85,8	52,3	17	3.000
901014		115,8	82,3	17	
901015		145,8	112,3	17	
901016		175,8	142,3	17	
901017		225,8	192,3	17	
901018		285,8	252,3	17	



## Ø60

DIAMETER (mm)



Art-Nr.	Sp	H Tot (mm)	L (mm)	Wrench (mm)	Load (N)
901019	M10	90	50,5	8	3.000
901020		120	80,5	8	
901021		150	110,5	8	
901022	M12	90	50,8	10	4.500
901023		120	80,8	10	
901024		150	110,8	10	
901025		180	140,8	10	
901026	M16	90	51,3	13	4.500
901027		120	81,3	13	
901028		150	111,3	13	
901029		180	141,3	13	
901030		230	191,3	13	
901031	M20	90	52,3	17	4.500
901032		120	82,3	17	
901033		150	112,3	17	
901034		180	142,3	17	
901035		230	192,3	17	
901036		290	252,3	17	

On request vulcanized rubber can be provided white or blue | On request spindle can be made in AISI 316



Core product range of Easy Clean  
Levelling Feet can be found **here**.

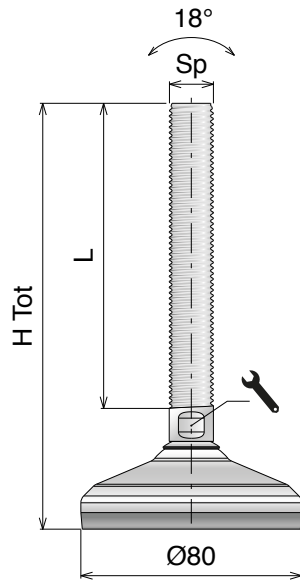
**Materiale / Material / Materialien:**

Base, stelo e rondella: Acciaio inox  
 Base plate, spindle and washer: Stainless steel  
 Fussplatte, Spindel und Scheibe: Edelstahl

On request vulcanized rubber can be provided  
 white or blue and spindle can be made in AISI 316.

# S400 Series

Piedi di livellamento / Leveling feet / Nivellierfüße



Ø 80

DIAMETER (mm)



ANTI-SLIP

Art-Nr.	Sp	H Tot (mm)	L (mm)	Wrench (mm)	Load (N)
901080	M12	95	50,8	10	12.000
901081		125	80,8	10	
901082		155	110,8	10	
901083		185	140,8	10	
901084	M16	95	51,3	13	15.000
901085		125	81,3	13	
901086		155	111,3	13	
901087		185	141,3	13	
901088		235	191,3	13	
901089	M20	95	52,3	17	15.000
901090		125	82,3	17	
901091		155	112,3	17	
901092		185	142,3	17	
901093		235	192,3	17	
901094		295	252,3	17	
901095	M24	125	76	19	15.000
901096		155	106	19	
901097		185	136	19	
901098		235	186	19	
901099		295	246	19	
901100	M30	155	106	24	15.000
901101		185	136	24	
901102		235	186	24	
901103		295	246	24	
901104		345	296	24	



Core product range of Easy Clean  
 Levelling Feet can be found **here**.

**Movex**

Oadby Available from stock in Leicester

Oadby Core product range

Easy Available from stock in Italy

Standard Produced to order in Italy

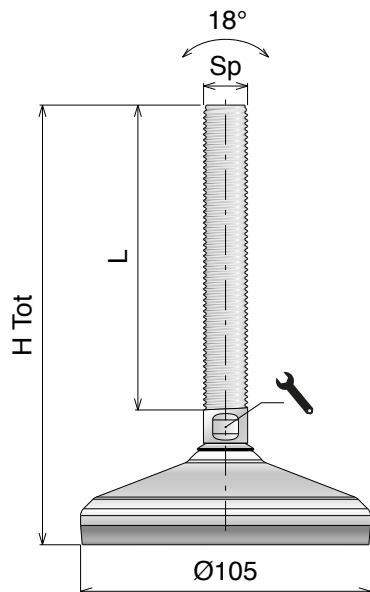
# S400 Series

Piedi di livellamento / Leveling feet / Nivellierfüße

On request vulcanized rubber can be provided  
white or blue and spindle can be made in AISI 316.

**Materiale / Material / Materialien:**

Base, stelo e rondella: Acciaio inox  
Base plate, spindle and washer: Stainless steel  
Fussplatte, Spindel und Scheibe: Edelstahl



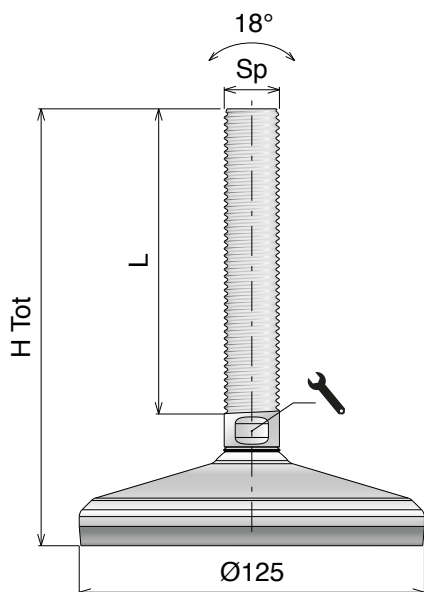
## Ø105

DIAMETER (mm)



ANTI-SLIP

Art-Nr.	Sp	H Tot (mm)	L (mm)	Wrench (mm)	Load (N)
<b>901130</b>	M16	100	51,3	13	25.000
<b>901131</b>		130	81,3	13	
<b>901132</b>		160	111,3	13	
<b>901133</b>		190	141,3	13	
<b>901134</b>		240	191,3	13	
<b>901135</b>	M20	100	52,3	17	25.000
<b>901136</b>		130	82,3	17	
<b>901137</b>		160	112,3	17	
<b>901138</b>		190	142,3	17	
<b>901139</b>		240	192,3	17	
<b>901140</b>	300	252,3	17		
<b>901141</b>	M24	130	76	19	25.000
<b>901142</b>		160	106	19	
<b>901143</b>		190	136	19	
<b>901144</b>		240	186	19	
<b>901145</b>		300	246	19	
<b>901146</b>	M30	160	106	24	25.000
<b>901147</b>		190	136	24	
<b>901148</b>		240	186	24	
<b>901149</b>		300	246	24	
<b>901150</b>		350	296	24	
<b>901151</b>	M36	190	136	30	25.000
<b>901152</b>		240	186	30	
<b>901153</b>		300	246	30	
<b>901154</b>		350	296	30	



## Ø125

DIAMETER (mm)



ANTI-SLIP

Art-Nr.	Sp	H Tot (mm)	L (mm)	Wrench (mm)	Load (N)
<b>901155</b>	M20	100	52,3	17	30.000
<b>901156</b>		130	82,3	17	
<b>901157</b>		160	112,3	17	
<b>901158</b>		190	142,3	17	
<b>901159</b>		240	192,3	17	
<b>901160</b>		300	252,3	17	
<b>901161</b>	M24	130	76	19	30.000
<b>901162</b>		160	106	19	
<b>901163</b>		190	136	19	
<b>901164</b>		240	186	19	
<b>901165</b>		300	246	19	
<b>901166</b>	M30	160	106	24	30.000
<b>901167</b>		190	136	24	
<b>901168</b>		240	186	24	
<b>901169</b>		300	246	24	
<b>901170</b>		350	296	24	
<b>901171</b>	M36	190	136	30	30.000
<b>901172</b>		240	186	30	
<b>901173</b>		300	246	30	
<b>901174</b>		350	296	30	



Core product range of Easy Clean  
Levelling Feet can be found **here**.

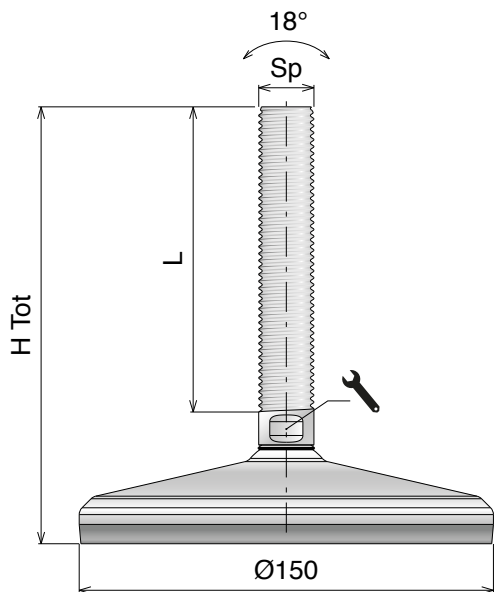
**Materiale / Material / Materialien:**

Base, stelo e rondella: Acciaio inox  
 Base plate, spindle and washer: Stainless steel  
 Fussplatte, Spindel und Scheibe: Edelstahl

On request vulcanized rubber can be provided  
 white or blue and spindle can be made in AISI 316.

# S400 Series

Piedi di livellamento / Leveling feet / Nivellierfüße



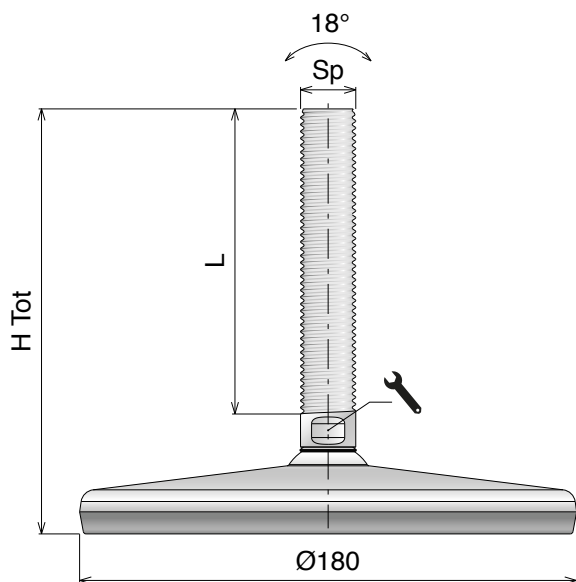
## Ø 150

DIAMETER (mm)



ANTI-SLIP

Art-Nr.	Sp	H Tot (mm)	L (mm)	Wrench (mm)	Load (N)
901175	M20	100	52,3	17	45.000
901176		130	82,3	17	
901177		160	112,3	17	
901178		190	142,3	17	
901179		240	192,3	17	
901180		300	252,3	17	
901181	M24	130	76	19	45.000
901182		160	106	19	
901183		190	136	19	
901184		240	186	19	
901185		300	246	19	
901186	M30	160	106	24	45.000
901187		190	136	24	
901188		240	186	24	
901189		300	246	24	
901190		350	296	24	
901191	M36	190	136	30	45.000
901192		240	186	30	
901193		300	246	30	
901194		350	296	30	



## Ø 180

DIAMETER (mm)



ANTI-SLIP

Art-Nr.	Sp	H Tot (mm)	L (mm)	Wrench (mm)	Load (N)
901195	M20	95,7	52,3	17	38.000
901196		125,7	82,3	17	
901197		155,7	112,3	17	
901198		185,7	142,3	17	
901199		235,7	192,3	17	
901200		295,7	252,3	17	
901201	M24	125,7	76	19	38.000
901202		155,7	106	19	
901203		185,7	136	19	
901204		235,7	186	19	
901205		295,7	246	19	
901206	M30	155,7	106	24	38.000
901207		185,7	136	24	
901208		235,7	186	24	
901209		295,7	246	24	
901210		345,7	296	24	
901211	M36	185,7	136	30	38.000
901212		235,7	186	30	
901213		295,7	246	30	
901214		345,7	296	30	



Core product range of Easy Clean  
 Levelling Feet can be found **here**.

**Movex**

Oadby Core product range

Available from stock in Leicester

Easy Available from stock in Italy

Standard Produced to order in Italy

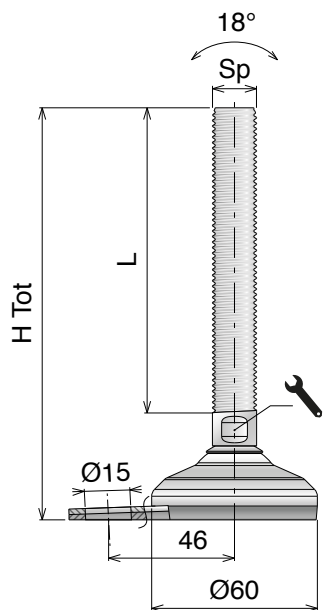
# S400 Series

Piedi di livellamento / Leveling feet / Nivellierfüße

On request vulcanized rubber can be provided  
white or blue and spindle can be made in AISI 316.

## Material / Material / Materialien:

Base, stelo e rondella: Acciaio inox  
Base plate, spindle and washer: Stainless steel  
Fussplatte, Spindel und Scheibe: Edelstahl



## Ø 60

DIAMETER (mm)

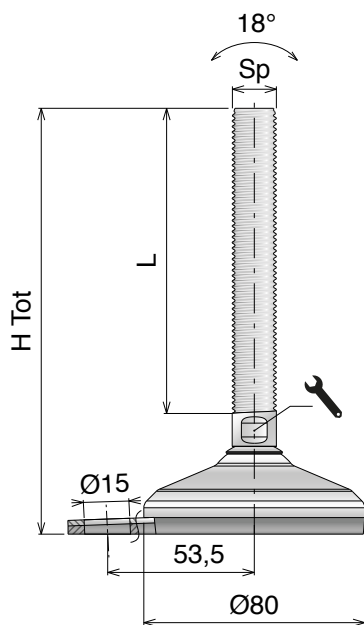


FIXING POINT



ANTI-SLIP

Art-Nr.	Sp	H Tot (mm)	L (mm)	(mm)	Load (N)
901215	M10	90	50,5	8	3.000
901216		120	80,5	8	
901217		150	110,5	8	
901218	M12	90	50,8	10	4.500
901219		120	80,8	10	
901220		150	110,8	10	
901221		180	140,8	10	
901222	M16	90	51,3	13	4.500
901223		120	81,3	13	
901224		150	111,3	13	
901225		180	141,3	13	
901226		230	191,3	13	
901227	M20	90	52,3	17	4.500
901228		120	82,3	17	
901229		150	112,3	17	
901230		180	142,3	17	
901231		230	192,3	17	
901232		290	252,3	17	



## Ø 80

DIAMETER (mm)



FIXING POINT



ANTI-SLIP

Art-Nr.	Sp	H Tot (mm)	L (mm)	(mm)	Load (N)
901258	M12	95	50,8	10	12.000
901259		125	80,8	10	
901260		155	110,8	10	
901261		185	140,8	10	
901262	M16	95	51,3	13	15.000
901263		125	81,3	13	
901264		155	111,3	13	
901265		185	141,3	13	
901266		235	191,3	13	
901267	M20	95	52,3	17	15.000
901268		125	82,3	17	
901269		155	112,3	17	
901270		185	142,3	17	
901271		235	192,3	17	
901272		295	252,3	17	
901273	M24	125	76	19	15.000
901274		155	106	19	
901275		185	136	19	
901276		235	186	19	
901277		295	246	19	
901278	M30	155	106	24	15.000
901279		185	136	24	
901280		235	186	24	
901281		295	246	24	
901282		345	296	24	



Core product range of Easy Clean  
Levelling Feet can be found **here**.

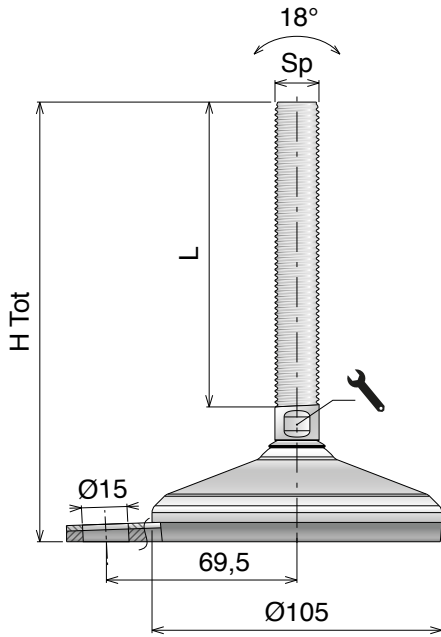
**Materiale / Material / Materialien:**

Base, stelo e rondella: Acciaio inox  
 Base plate, spindle and washer: Stainless steel  
 Fussplatte, Spindel und Scheibe: Edelstahl

On request vulcanized rubber can be provided  
 white or blue and spindle can be made in AISI 316.

# S400 Series

Piedi di livellamento / Leveling feet / Nivellierfüße



## Ø 105

DIAMETER (mm)

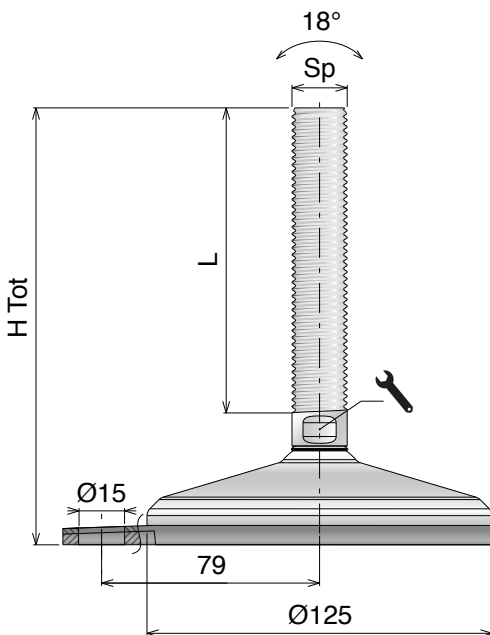


FIXING POINT



ANTI-SLIP

Art-Nr.	Sp	H Tot (mm)	L (mm)	Wrench (mm)	Load (N)
901308	M16	100	51,3	13	25.000
901309		130	81,3	13	
901310		160	111,3	13	
901311		190	141,3	13	
901312		240	191,3	13	
901313	M20	100	52,3	17	25.000
901314		130	82,3	17	
901315		160	112,3	17	
901316		190	142,3	17	
901317		240	192,3	17	
901318	300	252,3	17		
901319	M24	130	76	19	25.000
901320		160	106	19	
901321		190	136	19	
901322		240	186	19	
901323		300	246	19	
901324	M30	160	106	24	25.000
901325		190	136	24	
901326		240	186	24	
901327		300	246	24	
901328		350	296	24	
901329	M36	190	136	30	25.000
901330		240	186	30	
901331		300	246	30	
901332		350	296	30	



## Ø 125

DIAMETER (mm)



FIXING POINT



ANTI-SLIP

Art-Nr.	Sp	H Tot (mm)	L (mm)	Wrench (mm)	Load (N)
901333	M20	100	52,3	17	30.000
901334		130	82,3	17	
901335		160	112,3	17	
901336		190	142,3	17	
901337		240	192,3	17	
901338		300	252,3	17	
901339	M24	130	76	19	30.000
901340		160	106	19	
901341		190	136	19	
901342		240	186	19	
901343		300	246	19	
901344	M30	160	106	24	30.000
901345		190	136	24	
901346		240	186	24	
901347		300	246	24	
901348		350	296	24	
901349	M36	190	136	30	30.000
901350		240	186	30	
901351		300	246	30	
901352		350	296	30	



Core product range of Easy Clean  
 Levelling Feet can be found **here**.



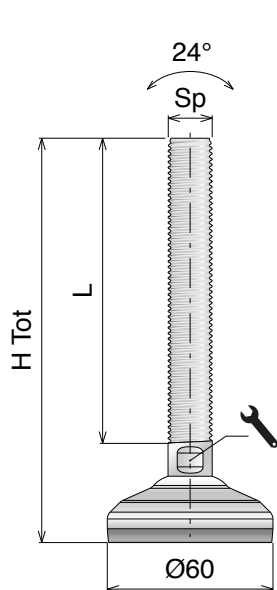
# S400 SPLIT

Piedi di livellamento / Leveling feet / Nivellierfüße

On request vulcanized rubber can be provided  
white or blue and spindle can be made in AISI 316.

**Materiale / Material / Materialien:**

Base, stelo e rondella: Acciaio inox  
Base plate, spindle and washer: Stainless steel  
Fussplatte, Spindel und Scheibe: Edelstahl



## Ø 60

DIAMETER (mm)

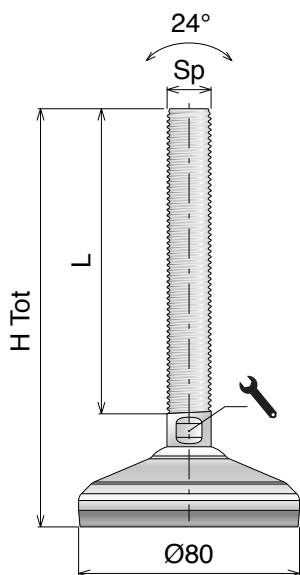


ANTI-SLIP



SLIT VERSION

Art-Nr.	Sp	H Tot (mm)	L (mm)	Wrench (mm)	Load (N)
901353	M10	89	50,5	8	3.000
901354		119	80,5	8	
901355		149	110,5	8	
901356	M12	89	50,8	10	4.500
901357		119	80,8	10	
901358		149	110,8	10	
901359		179	140,8	10	
901360	M16	89	51,3	13	4.500
901361		119	81,3	13	
901362		149	111,3	13	
901363		179	141,3	13	
901364		229	191,3	13	
901365	M20	89	52,3	17	4.500
901366		119	82,3	17	
901367		149	112,3	17	
901368		179	142,3	17	
901369		229	192,3	17	
901370		289	252,3	17	



## Ø 80

DIAMETER (mm)



ANTI-SLIP



SLIT VERSION

Art-Nr.	Sp	H Tot (mm)	L (mm)	Wrench (mm)	Load (N)
901371	M12	94	50,8	10	12.000
901372		124	80,8	10	
901373		154	110,8	10	
901374		184	140,8	10	
901375	M16	94	51,3	13	15.000
901376		124	81,3	13	
901377		154	111,3	13	
901378		184	141,3	13	
901379		234	191,3	13	
901380	M20	94	52,3	17	15.000
901381		124	82,3	17	
901382		154	112,3	17	
901383		184	142,3	17	
901384		234	192,3	17	
901385		294	252,3	17	
901386	M24	125	76	19	15.000
901387		155	106	19	
901388		185	136	19	
901389		235	186	19	
901390		295	246	19	
901391	M30	155	106	24	15.000
901392		185	136	24	
901393		235	186	24	
901394		295	246	24	
901395		345	296	24	



Core product range of Easy Clean  
Levelling Feet can be found **here**.

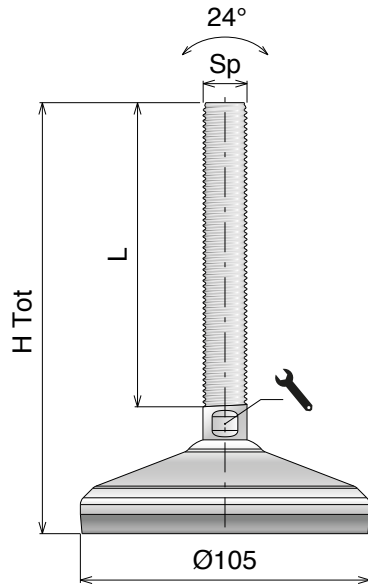
**Materiale / Material / Materialien:**

Base, stelo e rondella: Acciaio inox  
 Base plate, spindle and washer: Stainless steel  
 Fussplatte, Spindel und Scheibe: Edelstahl

On request vulcanized rubber can be provided  
 white or blue and spindle can be made in AISI 316.

# S400 SPLIT

Piedi di livellamento / Leveling feet / Nivellierfüße



## Ø 105

DIAMETER (mm)

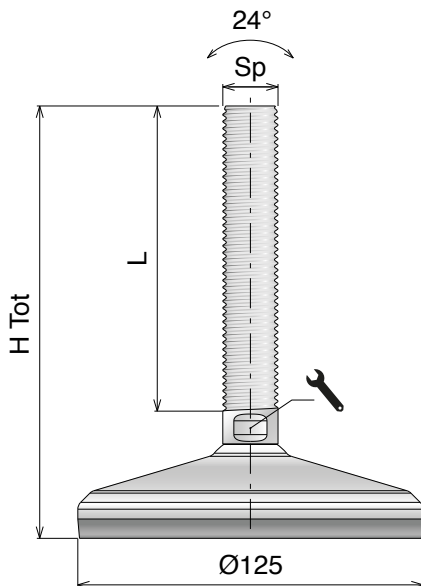


ANTI-SLIP



SLIT VERSION

Art-Nr.	Sp	H Tot (mm)	L (mm)	Wrench (mm)	Load (N)
901396	M16	99	51,3	13	25.000
901397		129	81,3	13	
901398		159	111,3	13	
901399		189	141,3	13	
901400		239	191,3	13	
901401	M20	99	52,3	17	25.000
901402		129	82,3	17	
901403		159	112,3	17	
901404		189	142,3	17	
901405		239	192,3	17	
901406		299	252,3	17	
901407	M24	130	76	19	25.000
901408		160	106	19	
901409		190	136	19	
901410		240	186	19	
901411		300	246	19	
901412	M30	160	106	24	25.000
901413		190	136	24	
901414		240	186	24	
901415		300	246	24	
901416		350	296	24	
901417	M36	190	136	30	25.000
901418		240	186	30	
901419		300	246	30	
901420		350	296	30	



## Ø 125

DIAMETER (mm)



ANTI-SLIP



SLIT VERSION

Art-Nr.	Sp	H Tot (mm)	L (mm)	Wrench (mm)	Load (N)
901421	M20	99	52,3	17	30.000
901422		129	82,3	17	
901423		159	112,3	17	
901424		189	142,3	17	
901425		239	192,3	17	
901426		299	252,3	17	
901427	M24	130	76	19	30.000
901428		160	106	19	
901429		190	136	19	
901430		240	186	19	
901431		300	246	19	
901432	M30	160	106	24	30.000
901433		190	136	24	
901434		240	186	24	
901435		300	246	24	
901436		350	296	24	
901437	M36	190	136	30	30.000
901438		240	186	30	
901439		300	246	30	
901440		350	296	30	



Core product range of Easy Clean  
 Levelling Feet can be found **here**.

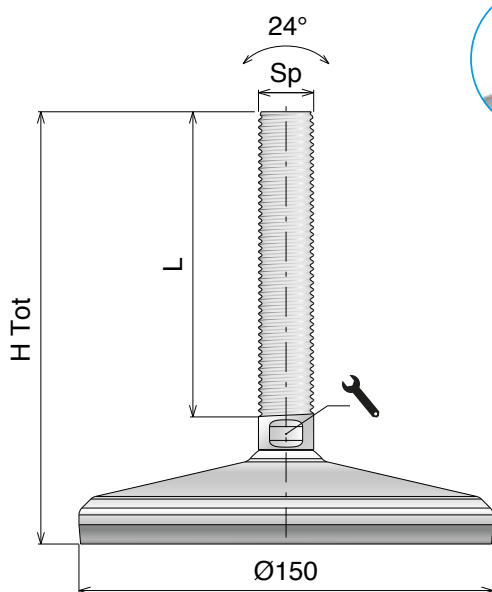
# S400 SPLIT

Piedi di livellamento / Leveling feet / Nivellierfüße

On request vulcanized rubber can be provided  
white or blue and spindle can be made in AISI 316.

## Materiale / Material / Materialien:

Base, stelo e rondella: Acciaio inox  
Base plate, spindle and washer: Stainless steel  
Fussplatte, Spindel und Scheibe: Edelstahl



## Ø 150

DIAMETER (mm)



Art-Nr.	Sp	H Tot (mm)	L (mm)	Wrench (mm)	Load (N)
901441	M20	99	52,3	17	45.000
901442		129	82,3	17	
901443		159	112,3	17	
901444		189	142,3	17	
901445		239	192,3	17	
901446		299	252,3	17	
901447	M24	130	76	19	45.000
901448		160	106	19	
901449		190	136	19	
901450		240	186	19	
901451		300	246	19	
901452	M30	160	106	24	45.000
901453		190	136	24	
901454		240	186	24	
901455		300	246	24	
901456		350	296	24	
901457	M36	190	136	30	45.000
901458		240	186	30	
901459		300	246	30	
901460		350	296	30	



Core product range of Easy Clean  
Levelling Feet can be found **here**.

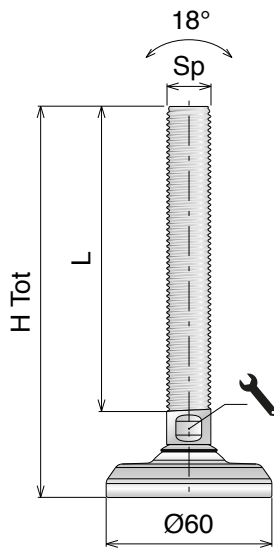
**Materiale / Material / Materialien:**

Base, stelo e rondella: Acciaio inox  
 Base plate, spindle and washer: Stainless steel  
 Fussplatte, Spindel und Scheibe: Edelstahl

On request spindle can be made in AISI 316.

# S400 HEAVY

Piedi di livellamento / Leveling feet / Nivellierfüße



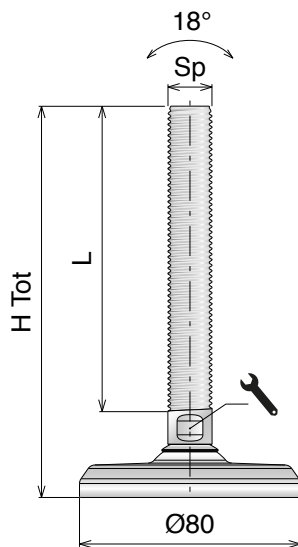
## Ø60

DIAMETER (mm)



HIGH LOAD

Art-Nr.	Sp	H Tot (mm)	L (mm)	Wrench (mm)	Load (N)
901461	M10	82,5	50,5	7	3.000
901462		112,5	80,5	7	
901463		142,5	110,5	7	
901464	M12	82,5	50,8	10	12.000
901465		112,5	80,8	10	
901466		142,5	110,8	10	
901467		172,5	140,8	10	
901468	M16	82,5	51,3	13	30.000
901469		112,5	81,3	13	
901470		142,5	111,3	13	
901471		172,5	141,3	13	
901472		222,5	191,3	13	
901473	M20	82,5	52,3	17	45.000
901474		112,5	82,3	17	
901475		142,5	112,3	17	
901476		172,5	142,3	17	
901477		222,5	192,3	17	
901478		282,5	252,3	17	



## Ø80

DIAMETER (mm)



HIGH LOAD

Art-Nr.	Sp	H Tot (mm)	L (mm)	Wrench (mm)	Load (N)
901479	M12	82,5	50,8	10	12.000
901480		112,5	80,8	10	
901481		142,5	110,8	10	
901482		172,5	140,8	10	
901483	M16	82,5	51,3	13	30.000
901484		112,5	81,3	13	
901485		142,5	111,3	13	
901486		172,5	141,3	13	
901487		222,5	191,3	13	
901488	M20	82,5	52,3	17	45.000
901489		112,5	82,3	17	
901490		142,5	112,3	17	
901491		172,5	142,3	17	
901492		222,5	192,3	17	
901493		282,5	252,3	17	
901494	M24	112,5	76	19	70.000
901495		142,5	106	19	
901496		172,5	136	19	
901497		222,5	186	19	
901498		282,5	246	19	
901499	M30	142,5	106	24	80.000
901500		172,5	136	24	
901501		222,5	186	24	
901502		282,5	246	24	
901503		332,5	296	24	



Core product range of Easy Clean  
 Levelling Feet can be found **here**.

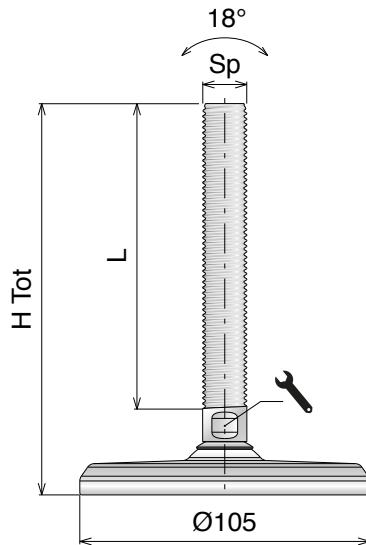
# S400 HEAVY

Piedi di livellamento / Leveling feet / Nivellierfüße

On request spindle can be made in AISI 316.

**Materiale / Material / Materialien:**

Base, stelo e rondella: Acciaio inox  
Base plate, spindle and washer: Stainless steel  
Fussplatte, Spindel und Scheibe: Edelstahl



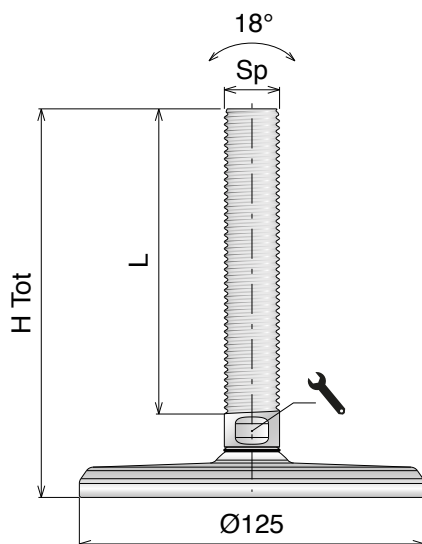
## Ø105

DIAMETER (mm)



HIGH LOAD

Art-Nr.	Sp	H Tot (mm)	L (mm)	Wrench (mm)	Load (N)
901504	M16	82,5	51,3	13	30.000
901505		112,5	81,3	13	
901506		142,5	111,3	13	
901507		172,5	141,3	13	
901508		222,5	191,3	13	
901509	M20	82,5	52,3	17	45.000
901510		112,5	82,3	17	
901511		142,5	112,3	17	
901512		172,5	142,3	17	
901513		222,5	192,3	17	
901514		282,5	252,3	17	
901515	M24	112,5	76	19	70.000
901516		142,5	106	19	
901517		172,5	136	19	
901518		222,5	186	19	
901519		282,5	246	19	
901520	M30	142,5	106	24	100.000
901521		172,5	136	24	
901522		222,5	186	24	
901523		282,5	246	24	
901524		332,5	296	24	
901525	M36	172,5	136	30	120.000
901526		222,5	186	30	
901527		282,5	246	30	
901528		332,5	296	30	



## Ø125

DIAMETER (mm)



HIGH LOAD

Art-Nr.	Sp	H Tot (mm)	L (mm)	Wrench (mm)	Load (N)
901529	M20	82,5	52,3	17	45.000
901530		112,5	82,3	17	
901531		142,5	112,3	17	
901532		172,5	142,3	17	
901533		222,5	192,3	17	
901534		282,5	252,3	17	
901535	M24	112,5	76	19	70.000
901536		142,5	106	19	
901537		172,5	136	19	
901538		222,5	186	19	
901539		282,5	246	19	
901540	M30	142,5	106	24	100.000
901541		172,5	136	24	
901542		222,5	186	24	
901543		282,5	246	24	
901544		332,5	296	24	
901545	M36	172,5	136	30	130.000
901546		222,5	186	30	
901547		282,5	246	30	
901548		332,5	296	30	



Core product range of Easy Clean Levelling Feet can be found [here](#).

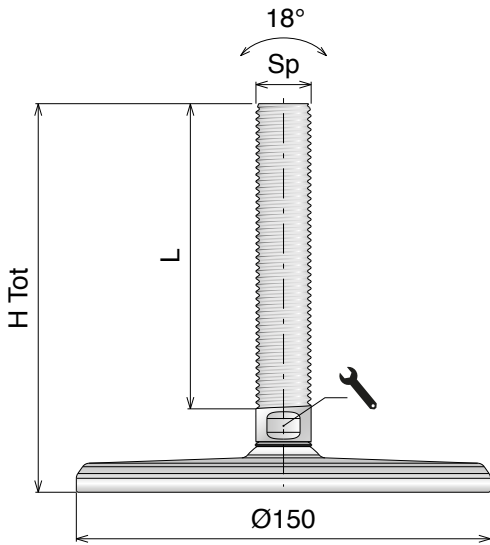
**Materiale / Material / Materialien:**

Base, stelo e rondella: Acciaio inox  
 Base plate, spindle and washer: Stainless steel  
 Fussplatte, Spindel und Scheibe: Edelstahl

On request vulcanized rubber can be provided  
 white or blue and spindle can be made in AISI 316.

# S400 HEAVY

Piedi di livellamento / Leveling feet / Nivellierfüße



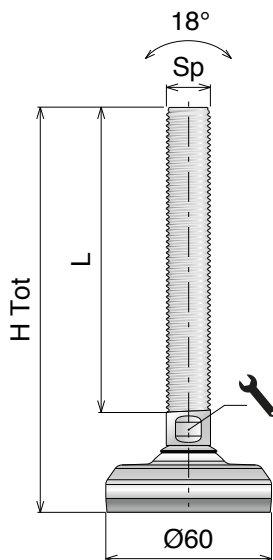
Ø 150

DIAMETER (mm)



HIGH LOAD

Art-Nr.	Sp	H Tot (mm)	L (mm)	Wrench (mm)	Load (N)
901549	M20	82,5	52,3	17	45.000
901550		112,5	82,3	17	
901551		142,5	112,3	17	
901552		172,5	142,3	17	
901553		222,5	192,3	17	
901554		282,5	252,3	17	
901555	M24	112,5	76	19	70.000
901556		142,5	106	19	
901557		172,5	136	19	
901558		222,5	186	19	
901559		282,5	246	19	
901560	M30	142,5	106	24	100.000
901561		172,5	136	24	
901562		222,5	186	24	
901563		282,5	246	24	
901564		332,5	296	24	
901565	M36	172,5	136	30	150.000
901566		222,5	186	30	
901567		282,5	246	30	
901568		332,5	296	30	



Ø 60

DIAMETER (mm)



HIGH LOAD



ANTI-SLIP

Art-Nr.	Sp	H Tot (mm)	L (mm)	Wrench (mm)	Load (N)
901569	M10	87,5	50,5	7	3.000
901570		117,5	80,5	7	
901571		147,5	110,5	7	
901572	M12	88,5	50,8	10	12.000
901573		118,5	80,8	10	
901574		148,5	110,8	10	
901575		178,5	140,8	10	
901576	M16	88,5	51,3	13	30.000
901577		118,5	81,3	13	
901578		148,5	111,3	13	
901579		178,5	141,3	13	
901580		228,5	191,3	13	
901581	M20	88,5	52,3	17	45.000
901582		118,5	82,3	17	
901583		148,5	112,3	17	
901584		178,5	142,3	17	
901585		228,5	192,3	17	
901586		288,5	252,3	17	



Core product range of Easy Clean  
 Levelling Feet can be found **here**.

**Movex**

Oadby Core product range

Available from stock in Leicester

Easy Available from stock in Italy

Standard Produced to order in Italy

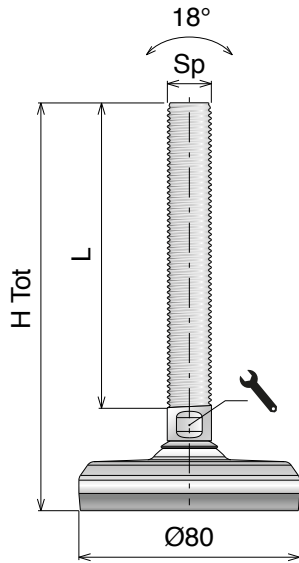
# S400 HEAVY

Piedi di livellamento / Leveling feet / Nivellierfüße

On request vulcanized rubber can be provided  
white or blue and spindle can be made in AISI 316.

**Materiale / Material / Materialien:**

Base, stelo e rondella: Acciaio inox  
Base plate, spindle and washer: Stainless steel  
Fussplatte, Spindel und Scheibe: Edelstahl



## Ø 80

DIAMETER (mm)

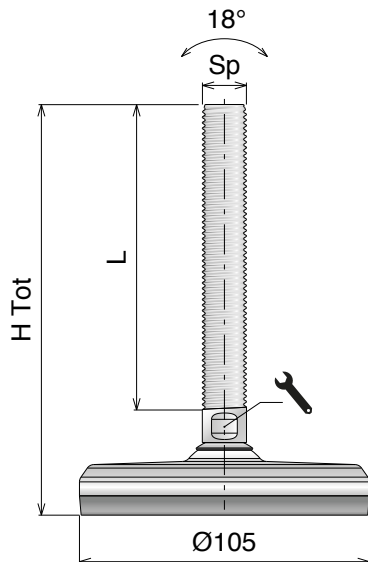


HIGH LOAD



ANTI-SLIP

Art-Nr.	Sp	H Tot (mm)	L (mm)	Wrench (mm)	Load (N)
901587	M12	88,5	50,8	10	12.000
901588		118,5	80,8	10	
901589		148,5	110,8	10	
901590		178,5	140,8	10	
901591	M16	88,5	51,3	13	30.000
901592		118,5	81,3	13	
901593		148,5	111,3	13	
901594		178,5	141,3	13	
901595		228,5	191,3	13	
901596	M20	88,5	52,3	17	45.000
901597		118,5	82,3	17	
901598		148,5	112,3	17	
901599		178,5	142,3	17	
901600		228,5	192,3	17	
901601		288,5	252,3	17	
901602	M24	118,5	76	19	70.000
901603		148,5	106	19	
901604		178,5	136	19	
901605		228,5	186	19	
901606		288,5	246	19	
901607	M30	148,5	106	24	80.000
901608		178,5	136	24	
901609		228,5	186	24	
901610		288,5	246	24	
901611		338,5	296	24	



## Ø 105

DIAMETER (mm)



HIGH LOAD



ANTI-SLIP

Art-Nr.	Sp	H Tot (mm)	L (mm)	Wrench (mm)	Load (N)
901612	M16	88,5	51,3	13	30.000
901613		118,5	81,3	13	
901614		148,5	111,3	13	
901615		178,5	141,3	13	
901616		228,5	191,3	13	
901617	M20	88,5	52,3	17	45.000
901618		118,5	82,3	17	
901619		148,5	112,3	17	
901620		178,5	142,3	17	
901621		228,5	192,3	17	
901622		288,5	252,3	17	
901623	M24	118,5	76	19	70.000
901624		148,5	106	19	
901625		178,5	136	19	
901626		228,5	186	19	
901627		288,5	246	19	
901628	M30	148,5	106	24	100.000
901629		178,5	136	24	
901630		228,5	186	24	
901631		288,5	246	24	
901632		338,5	296	24	
901633	M36	178,5	136	30	120.000
901634		228,5	186	30	
901635		288,5	246	30	
901636		338,5	296	30	



Core product range of Easy Clean  
Levelling Feet can be found **here**.



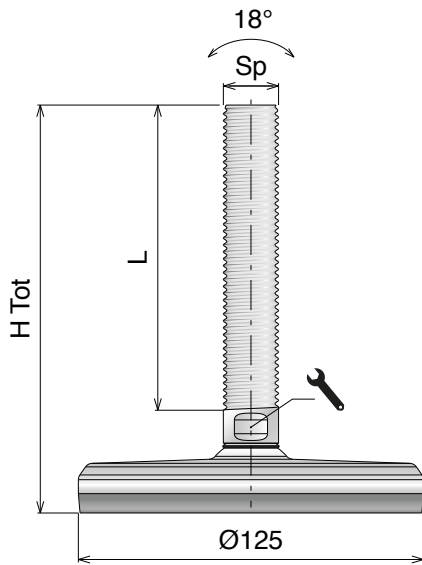
**Materiale / Material / Materialien:**

Base, stelo e rondella: Acciaio inox  
 Base plate, spindle and washer: Stainless steel  
 Fussplatte, Spindel und Scheibe: Edelstahl

On request vulcanized rubber can be provided  
 white or blue and spindle can be made in AISI 316.

# S400 HEAVY

Piedi di livellamento / Leveling feet / Nivellierfüße



Ø 125

DIAMETER (mm)

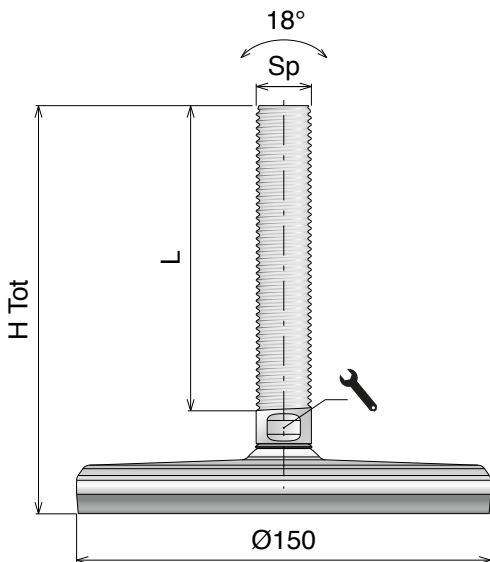


HIGH LOAD



ANTI-SLIP

Art-Nr.	Sp	H Tot (mm)	L (mm)	Wrench (mm)	Load (N)
901637	M20	88,5	52,3	17	45.000
901638		118,5	82,3	17	
901639		148,5	112,3	17	
901640		178,5	142,3	17	
901641		228,5	192,3	17	
901642		288,5	252,3	17	
901643	M24	118,5	76	19	70.000
901644		148,5	106	19	
901645		178,5	136	19	
901646		228,5	186	19	
901647		288,5	246	19	
901648	M30	148,5	106	24	100.000
901649		178,5	136	24	
901650		228,5	186	24	
901651		288,5	246	24	
901652		338,5	296	24	
901653	M36	178,5	136	30	130.000
901654		228,5	186	30	
901655		288,5	246	30	
901656		338,5	296	30	



Ø 150

DIAMETER (mm)



HIGH LOAD



ANTI-SLIP

Art-Nr.	Sp	H Tot (mm)	L (mm)	Wrench (mm)	Load (N)
901657	M20	88,5	52,3	17	45.000
901658		118,5	82,3	17	
901659		148,5	112,3	17	
901660		178,5	142,3	17	
901661		228,5	192,3	17	
901662		288,5	252,3	17	
901663	M24	118,5	76	19	70.000
901664		148,5	106	19	
901665		178,5	136	19	
901666		228,5	186	19	
901667		288,5	246	19	
901668	M30	148,5	106	24	100.000
901669		178,5	136	24	
901670		228,5	186	24	
901671		288,5	246	24	
901672		338,5	296	24	
901673	M36	178,5	136	30	150.000
901674		228,5	186	30	
901675		288,5	246	30	
901676		338,5	296	30	



Core product range of Easy Clean  
 Levelling Feet can be found **here**.

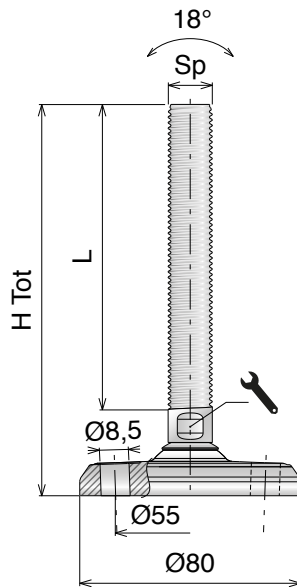
# S400 HEAVY

Piedi di livellamento / Leveling feet / Nivellierfüße

On request spindle can be made in AISI 316.

Material / Material / Materialien:

Base, stelo e rondella: Acciaio inox  
Base plate, spindle and washer: Stainless steel  
Fussplatte, Spindel und Scheibe: Edelstahl



## Ø 80

DIAMETER (mm)

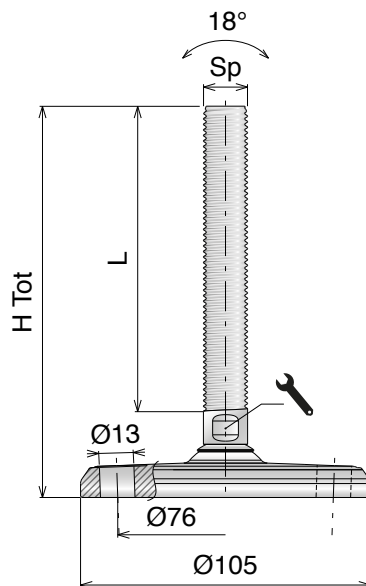


HIGH LOAD



FIXING POINT

Art-Nr.	Sp	H Tot (mm)	L (mm)	Wrench (mm)	Load (N)
901695	M12	82,5	50,8	10	12.000
901696		112,5	80,8	10	
901697		142,5	110,8	10	
901698		172,5	140,8	10	
901699	M16	82,5	51,3	13	30.000
901700		112,5	81,3	13	
901701		142,5	111,3	13	
901702		172,5	141,3	13	
901703		222,5	191,3	13	
901704	M20	82,5	52,3	17	45.000
901705		112,5	82,3	17	
901706		142,5	112,3	17	
901707		172,5	142,3	17	
901708		222,5	192,3	17	
901709		282,5	252,3	17	
901710	M24	112,5	76	19	70.000
901711		142,5	106	19	
901712		172,5	136	19	
901713		222,5	186	19	
901714		282,5	246	19	
901715	M30	142,5	106	24	80.000
901716		172,5	136	24	
901717		222,5	186	24	
901718		282,5	246	24	
901719		332,5	296	24	



## Ø 105

DIAMETER (mm)



HIGH LOAD



FIXING POINT

Art-Nr.	Sp	H Tot (mm)	L (mm)	Wrench (mm)	Load (N)
901720	M16	82,5	51,3	13	30.000
901721		112,5	81,3	13	
901722		142,5	111,3	13	
901723		172,5	141,3	13	
901724		222,5	191,3	13	
901725	M20	82,5	52,3	17	45.000
901726		112,5	82,3	17	
901727		142,5	112,3	17	
901728		172,5	142,3	17	
901729		222,5	192,3	17	
901730		282,5	252,3	17	
901731	M24	112,5	76	19	70.000
901732		142,5	106	19	
901733		172,5	136	19	
901734		222,5	186	19	
901735		282,5	246	19	
901736	M30	142,5	106	24	100.000
901737		172,5	136	24	
901738		222,5	186	24	
901739		282,5	246	24	
901740		332,5	296	24	
901741	M36	172,5	136	30	120.000
901742		222,5	186	30	
901743		282,5	246	30	
901744		332,5	296	30	



Core product range of Easy Clean Levelling Feet can be found [here](#).

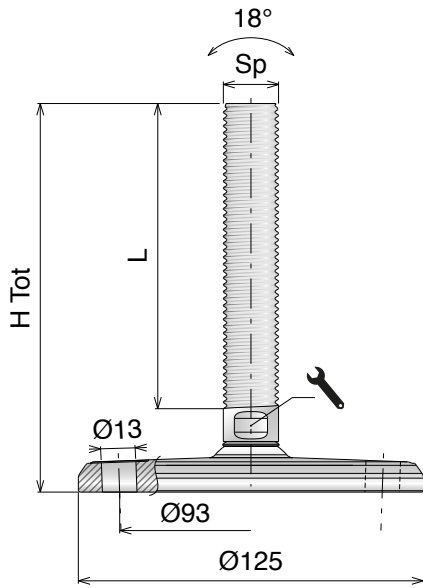
**Materiale / Material / Materialien:**

Base, stelo e rondella: Acciaio inox  
 Base plate, spindle and washer: Stainless steel  
 Fussplatte, Spindel und Scheibe: Edelstahl

On request spindle can be made in AISI 316.

# S400 HEAVY

Piedi di livellamento / Leveling feet / Nivellierfüße



Ø 125

DIAMETER (mm)

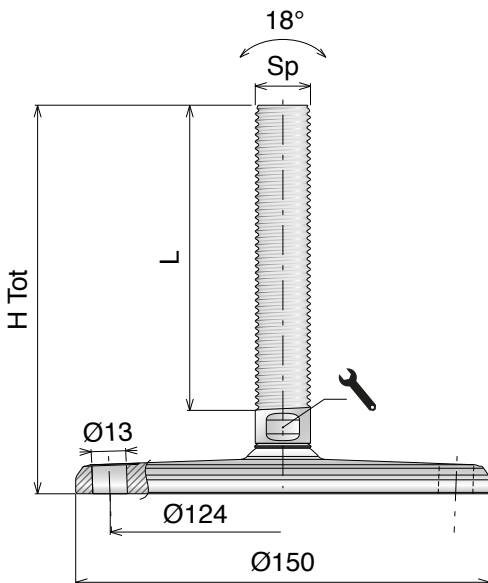


HIGH LOAD



FIXING POINT

Art-Nr.	Sp	H Tot (mm)	L (mm)	Wrench (mm)	Load (N)
901745	M20	82,5	52,3	17	45.000
901746		112,5	82,3	17	
901747		142,5	112,3	17	
901748		172,5	142,3	17	
901749		222,5	192,3	17	
901750		282,5	252,3	17	
901751	M24	112,5	76	19	70.000
901752		142,5	106	19	
901753		172,5	136	19	
901754		222,5	186	19	
901755		282,5	246	19	
901756	M30	142,5	106	24	100.000
901757		172,5	136	24	
901758		222,5	186	24	
901759		282,5	246	24	
901760		332,5	296	24	
901761	M36	172,5	136	30	130.000
901762		222,5	186	30	
901763		282,5	246	30	
901764		332,5	296	30	



Ø 150

DIAMETER (mm)



HIGH LOAD



FIXING POINT

Art-Nr.	Sp	H Tot (mm)	L (mm)	Wrench (mm)	Load (N)
901765	M20	82,5	52,3	17	45.000
901766		112,5	82,3	17	
901767		142,5	112,3	17	
901768		172,5	142,3	17	
901769		222,5	192,3	17	
901770		282,5	252,3	17	
901771	M24	112,5	76	19	70.000
901772		142,5	106	19	
901773		172,5	136	19	
901774		222,5	186	19	
901775		282,5	246	19	
901776	M30	142,5	106	24	100.000
901777		172,5	136	24	
901778		222,5	186	24	
901779		282,5	246	24	
901780		332,5	296	24	
901781	M36	172,5	136	30	150.000
901782		222,5	186	30	
901783		282,5	246	30	
901784		332,5	296	30	



Core product range of Easy Clean Levelling Feet can be found [here](#).

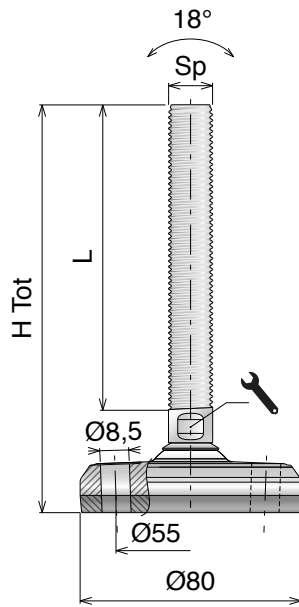
# S400 HEAVY

Piedi di livellamento / Leveling feet / Nivellierfüße

On request vulcanized rubber can be provided  
white or blue and spindle can be made in AISI 316.

## Material / Material / Materialien:

Base, stelo e rondella: Acciaio inox  
Base plate, spindle and washer: Stainless steel  
Fussplatte, Spindel und Scheibe: Edelstahl



## Ø 80

DIAMETER (mm)



HIGH LOAD

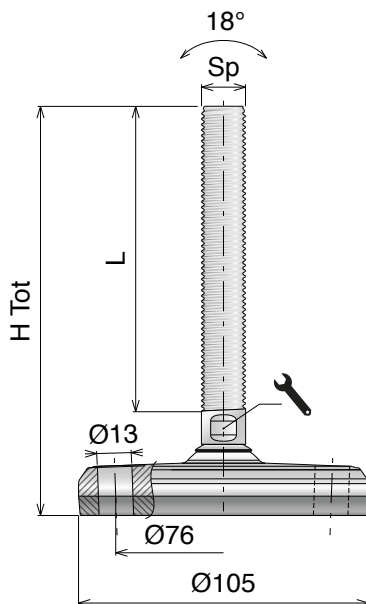


FIXING POINT



ANTI-SLIP

Art-Nr.	Sp	H Tot (mm)	L (mm)	Wrench (mm)	Load (N)
901803	M12	88,5	50,8	10	12.000
901804		118,5	80,8	10	
901805		148,5	110,8	10	
901806		178,5	140,8	10	
901807	M16	88,5	51,3	13	30.000
901808		118,5	81,3	13	
901809		148,5	111,3	13	
901810		178,5	141,3	13	
901811		228,5	191,3	13	
901812	M20	88,5	52,3	17	45.000
901813		118,5	82,3	17	
901814		148,5	112,3	17	
901815		178,5	142,3	17	
901816		228,5	192,3	17	
901817		288,5	252,3	17	
901818	M24	118,5	76	19	70.000
901819		148,5	106	19	
901820		178,5	136	19	
901821		228,5	186	19	
901822		288,5	246	19	
901823	M30	148,5	106	24	80.000
901824		178,5	136	24	
901825		228,5	186	24	
901826		288,5	246	24	
901827		338,5	296	24	



## Ø 105

DIAMETER (mm)



HIGH LOAD



FIXING POINT



ANTI-SLIP

Art-Nr.	Sp	H Tot (mm)	L (mm)	Wrench (mm)	Load (N)
901828	M16	88,5	51,3	13	30.000
901829		118,5	81,3	13	
901830		148,5	111,3	13	
901831		178,5	141,3	13	
901832		228,5	191,3	13	
901833	M20	88,5	52,3	17	45.000
901834		118,5	82,3	17	
901835		148,5	112,3	17	
901836		178,5	142,3	17	
901837		228,5	192,3	17	
901838		288,5	252,3	17	
901839	M24	118,5	76	19	70.000
901840		148,5	106	19	
901841		178,5	136	19	
901842		228,5	186	19	
901843		288,5	246	19	
901844	M30	148,5	106	24	100.000
901845		178,5	136	24	
901846		228,5	186	24	
901847		288,5	246	24	
901848		338,5	296	24	
901849	M36	178,5	136	30	120.000
901850		228,5	186	30	
901851		288,5	246	30	
901852		338,5	296	30	



Core product range of Easy Clean  
Levelling Feet can be found **here**.

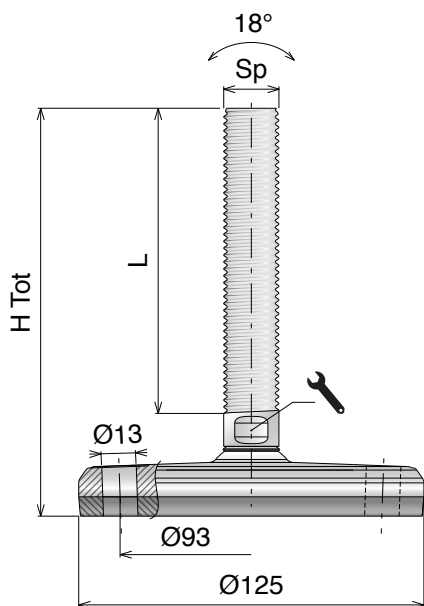
**Materiale / Material / Materialien:**

Base, stelo e rondella: Acciaio inox  
 Base plate, spindle and washer: Stainless steel  
 Fussplatte, Spindel und Scheibe: Edelstahl

On request vulcanized rubber can be provided  
 white or blue and spindle can be made in AISI 316.

# S400 HEAVY

Piedi di livellamento / Leveling feet / Nivellierfüße



Ø 125

DIAMETER (mm)



HIGH LOAD

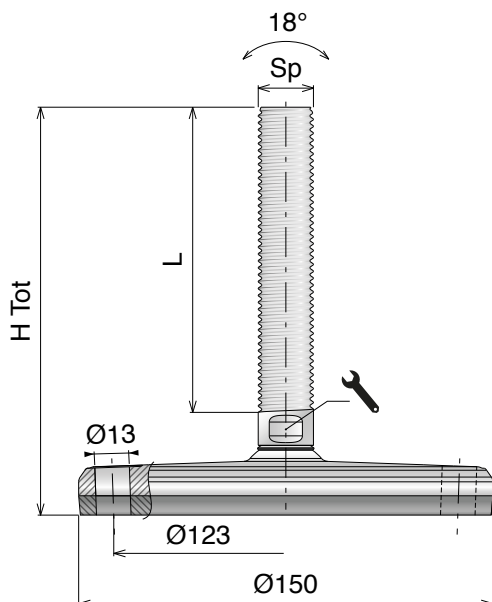


FIXING POINT



ANTI-SLIP

Art-Nr.	Sp	H Tot (mm)	L (mm)	Wrench (mm)	Load (N)
901853	M20	88,5	52,3	17	45.000
901854		118,5	82,3	17	
901855		148,5	112,3	17	
901856		178,5	142,3	17	
901857		228,5	192,3	17	
901858		288,5	252,3	17	
901859	M24	118,5	76	19	70.000
901860		148,5	106	19	
901861		178,5	136	19	
901862		228,5	186	19	
901863		288,5	246	19	
901864	M30	148,5	106	24	100.000
901865		178,5	136	24	
901866		228,5	186	24	
901867		288,5	246	24	
901868		338,5	296	24	
901869	M36	178,5	136	30	130.000
901870		228,5	186	30	
901871		288,5	246	30	
901872		338,5	296	30	



Ø 150

DIAMETER (mm)



HIGH LOAD



FIXING POINT



ANTI-SLIP

Art-Nr.	Sp	H Tot (mm)	L (mm)	Wrench (mm)	Load (N)
901873	M20	88,5	52,3	17	45.000
901874		118,5	82,3	17	
901875		148,5	112,3	17	
901876		178,5	142,3	17	
901877		228,5	192,3	17	
901878		288,5	252,3	17	
901879	M24	118,5	76	19	70.000
901880		148,5	106	19	
901881		178,5	136	19	
901882		228,5	186	19	
901883		288,5	246	19	
901884	M30	148,5	106	24	100.000
901885		178,5	136	24	
901886		228,5	186	24	
901887		288,5	246	24	
901888		338,5	296	24	
901889	M36	178,5	136	30	150.000
901890		228,5	186	30	
901891		288,5	246	30	
901892		338,5	296	30	



Core product range of Easy Clean  
 Levelling Feet can be found **here**.

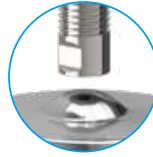
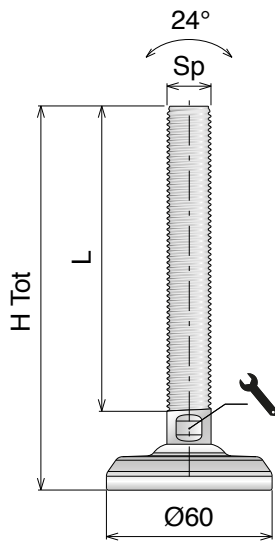
# S400 HEAVY-SPLIT

Piedi di livellamento / Leveling feet / Nivellierfüße

On request spindle can be made in AISI 316.

Material / Material / Materialien:

Base e stelo: Acciaio inox  
Base plate and spindle: Stainless steel  
Fussplatte und Spindel: Edelstahl



## Ø 60

DIAMETER (mm)

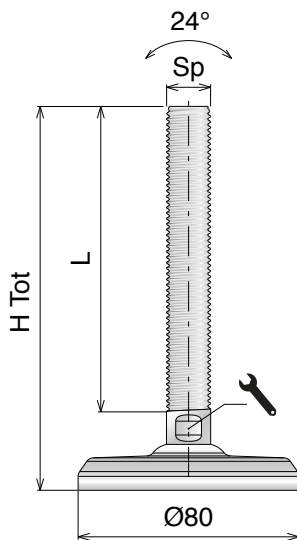


HIGH LOAD



SLIT VERSION

Art-Nr.	Sp	H Tot (mm)	L (mm)	Wrench (mm)	Load (N)
901893	M10	81,5	50,5	7	3.000
901894		111,5	80,5	7	
901895		141,5	110,5	7	
901896	M12	81,5	50,8	10	12.000
901897		111,5	80,8	10	
901898		141,5	110,8	10	
901899		171,5	140,8	10	
901900	M16	81,5	51,3	13	30.000
901901		111,5	81,3	13	
901902		141,5	111,3	13	
901903		171,5	141,3	13	
901904		221,5	191,3	13	
901905	M20	81,5	52,3	17	45.000
901906		111,5	82,3	17	
901907		141,5	112,3	17	
901908		171,5	142,3	17	
901909		221,5	192,3	17	
901910		281,5	252,3	17	



## Ø 80

DIAMETER (mm)



HIGH LOAD



SLIT VERSION

Art-Nr.	Sp	H Tot (mm)	L (mm)	Wrench (mm)	Load (N)
901911	M12	81,5	50,8	10	12.000
901912		111,5	80,8	10	
901913		141,5	110,8	10	
901914		171,5	140,8	10	
901915	M16	81,5	51,3	13	30.000
901916		111,5	81,3	13	
901917		141,5	111,3	13	
901918		171,5	141,3	13	
901919		221,5	191,3	13	
901920	M20	81,5	52,3	17	45.000
901921		111,5	82,3	17	
901922		141,5	112,3	17	
901923		171,5	142,3	17	
901924		221,5	192,3	17	
901925		281,5	252,3	17	
901926	M24	111,5	76	19	70.000
901927		141,5	106	19	
901928		171,5	136	19	
901929		221,5	186	19	
901930		281,5	246	19	
901931	M30	141,5	106	24	80.000
901932		171,5	136	24	
901933		221,5	186	24	
901934		281,5	246	24	
901935		331,5	296	24	



Core product range of Easy Clean Levelling Feet can be found **here**.

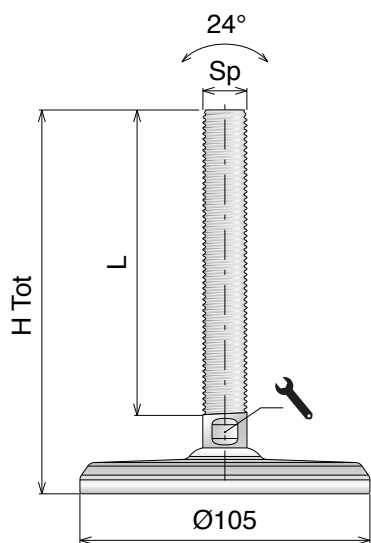
**Materiale / Material / Materialien:**

Base e stelo: Acciaio inox  
 Base plate and spindle: Stainless steel  
 Fussplatte und Spindel: Edelstahl

On request spindle can be made in AISI 316.

# S400 HEAVY-SPLIT

Piedi di livellamento / Leveling feet / Nivellierfüße



**Ø 105**

DIAMETER (mm)

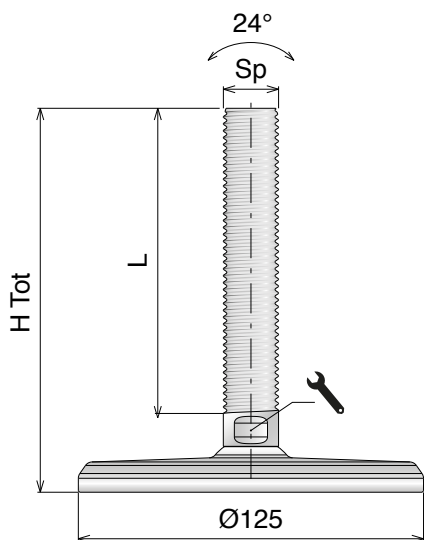


HIGH LOAD



SLIT VERSION

Art-Nr.	Sp	H Tot (mm)	L (mm)	Wrench (mm)	Load (N)
901936	M16	81,5	51,3	13	30.000
901937		111,5	81,3	13	
901938		141,5	111,3	13	
901939		171,5	141,3	13	
901940		221,5	191,3	13	
901941	M20	81,5	52,3	17	45.000
901942		111,5	82,3	17	
901943		141,5	112,3	17	
901944		171,5	142,3	17	
901945		221,5	192,3	17	
901946		281,5	252,3	17	
901947	M24	111,5	76	19	70.000
901948		141,5	106	19	
901949		171,5	136	19	
901950		221,5	186	19	
901951		281,5	246	19	
901952	M30	141,5	106	24	100.000
901953		171,5	136	24	
901954		221,5	186	24	
901955		281,5	246	24	
901956		331,5	296	24	
901957	M36	171,5	136	30	120.000
901958		221,5	186	30	
901959		281,5	246	30	
901960		331,5	296	30	



**Ø 125**

DIAMETER (mm)



HIGH LOAD



SLIT VERSION

Art-Nr.	Sp	H Tot (mm)	L (mm)	Wrench (mm)	Load (N)
901961	M20	81,5	52,3	17	45.000
901962		111,5	82,3	17	
901963		141,5	112,3	17	
901964		171,5	142,3	17	
901965		221,5	192,3	17	
901966		281,5	252,3	17	
901967	M24	111,5	76	19	70.000
901968		141,5	106	19	
901969		171,5	136	19	
901970		221,5	186	19	
901971		281,5	246	19	
901972	M30	141,5	106	24	100.000
901973		171,5	136	24	
901974		221,5	186	24	
901975		281,5	246	24	
901976		331,5	296	24	
901977	M36	171,5	136	30	130.000
901978		221,5	186	30	
901979		281,5	246	30	
901980		331,5	296	30	



Core product range of Easy Clean  
 Levelling Feet can be found **here**.



# S400 HEAVY-SPLIT

Piedi di livellamento / Leveling feet / Nivellierfüße

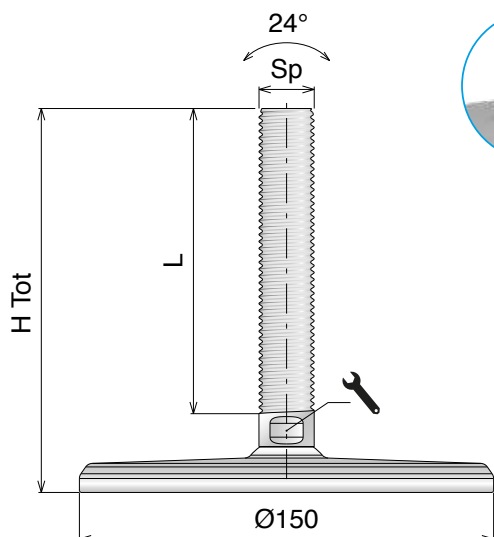
On request vulcanized rubber can be provided  
white or blue and spindle can be made in AISI 316.

Material / Material / Materialien:

Base e stelo: Acciaio inox

Base plate and spindle: Stainless steel

Fussplatte und Spindel: Edelstahl



## Ø 150

DIAMETER (mm)

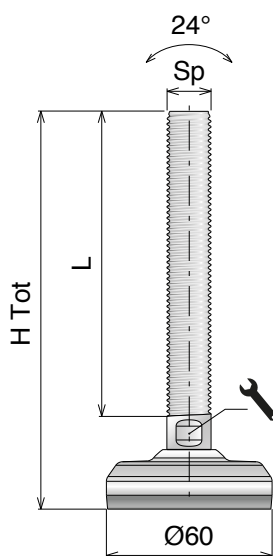


HIGH LOAD



SLIT VERSION

Art-Nr.	Sp	H Tot (mm)	L (mm)	Wrench (mm)	Load (N)
901981	M20	81,5	52,3	17	45.000
901982		111,5	82,3	17	
901983		141,5	112,3	17	
901984		171,5	142,3	17	
901985		221,5	192,3	17	
901986		281,5	252,3	17	
901987	M24	111,5	76	19	70.000
901988		141,5	106	19	
901989		171,5	136	19	
901990		221,5	186	19	
901991		281,5	246	19	
901992	M30	141,5	106	24	100.000
901993		171,5	136	24	
901994		221,5	186	24	
901995		281,5	246	24	
901996		331,5	296	24	
901997	M36	171,5	136	30	150.000
901998		221,5	186	30	
901999		281,5	246	30	
902000		331,5	296	30	



## Ø 60

DIAMETER (mm)



HIGH LOAD



SLIT VERSION



ANTI-SLIP

Art-Nr.	Sp	H Tot (mm)	L (mm)	Wrench (mm)	Load (N)
902001	M10	86,5	50,5	7	3.000
902002		116,5	80,5	7	
902003		146,5	110,5	7	
902004	M12	87,5	50,8	10	12.000
902005		117,5	80,8	10	
902006		147,5	110,8	10	
902007		177,5	140,8	10	
902008	M16	87,5	51,3	13	30.000
902009		117,5	81,3	13	
902010		147,5	111,3	13	
902011		177,5	141,3	13	
902012		227,5	191,3	13	
902013	M20	87,5	52,3	17	45.000
902014		117,5	82,3	17	
902015		147,5	112,3	17	
902016		177,5	142,3	17	
902017		227,5	192,3	17	
902018		287,5	252,3	17	



Core product range of Easy Clean  
Levelling Feet can be found [here](#).



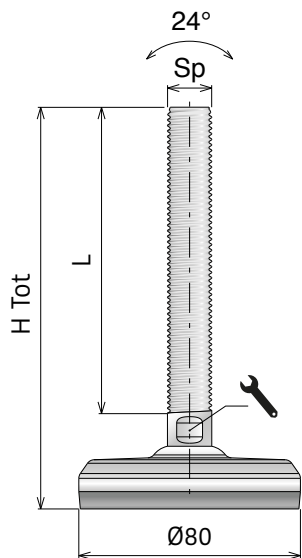
**Materiale / Material / Materialien:**

Base e stelo: Acciaio inox  
 Base plate and spindle: Stainless steel  
 Fussplatte und Spindel: Edelstahl

On request vulcanized rubber can be provided  
 white or blue and spindle can be made in AISI 316.

# S400 HEAVY-SPLIT

Piedi di livellamento / Leveling feet / Nivellierfüße



Ø 80

DIAMETER (mm)



HIGH LOAD

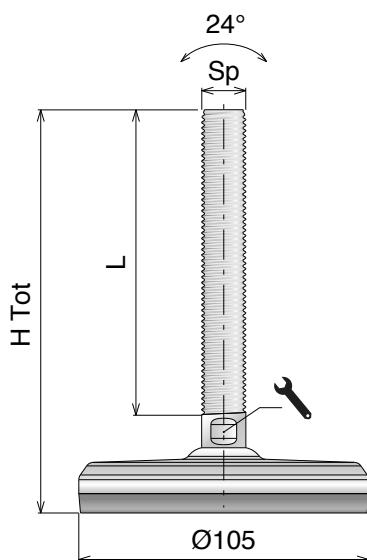


SLIT VERSION



ANTI-SLIP

Art-Nr.	Sp	H Tot (mm)	L (mm)	Wrench (mm)	Load (N)
902019	M12	87,5	50,8	10	12.000
902020		117,5	80,8	10	
902021		147,5	110,8	10	
902022		177,5	140,8	10	
902023	M16	87,5	51,3	13	30.000
902024		117,5	81,3	13	
902025		147,5	111,3	13	
902026		177,5	141,3	13	
902027		227,5	191,3	13	
902028	M20	87,5	52,3	17	45.000
902029		117,5	82,3	17	
902030		147,5	112,3	17	
902031		177,5	142,3	17	
902032		227,5	192,3	17	
902033		287,5	252,3	17	
902034	M24	117,5	76	19	70.000
902035		147,5	106	19	
902036		177,5	136	19	
902037		227,5	186	19	
902038		287,5	246	19	
902039	M30	147,5	106	24	80.000
902040		177,5	136	24	
902041		227,5	186	24	
902042		287,5	246	24	
902043		337,5	296	24	



Ø 105

DIAMETER (mm)



HIGH LOAD



SLIT VERSION



ANTI-SLIP

Art-Nr.	Sp	H Tot (mm)	L (mm)	Wrench (mm)	Load (N)
902044	M16	87,5	51,3	13	30.000
902045		117,5	81,3	13	
902046		147,5	111,3	13	
902047		177,5	141,3	13	
902048		227,5	191,3	13	
902049	M20	87,5	52,3	17	45.000
902050		117,5	82,3	17	
902051		147,5	112,3	17	
902052		177,5	142,3	17	
902053		227,5	192,3	17	
902054		287,5	252,3	17	
902055	M24	117,5	76	19	70.000
902056		147,5	106	19	
902057		177,5	136	19	
902058		227,5	186	19	
902059		287,5	246	19	
902060	M30	147,5	106	24	100.000
902061		177,5	136	24	
902062		227,5	186	24	
902063		287,5	246	24	
902064		337,5	296	24	
902065	M36	177,5	136	30	120.000
902066		227,5	186	30	
902067		287,5	246	30	
902068		337,5	296	30	



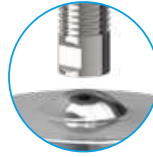
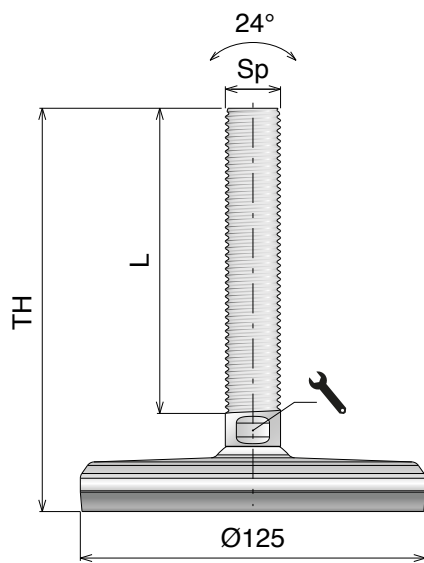
Core product range of Easy Clean  
 Levelling Feet can be found **here**.

# S400 HEAVY-SPLIT

Piedi di livellamento / Leveling feet / Nivellierfüße

On request vulcanized rubber can be provided  
white or blue and spindle can be made in AISI 316.

**Materiale / Material / Materialien:**  
Base e stelo: Acciaio inox  
Base plate and spindle: Stainless steel  
Fussplatte und Spindel: Edelstahl



Ø 125  
DIAMETER (mm)



HIGH LOAD

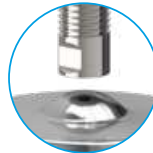
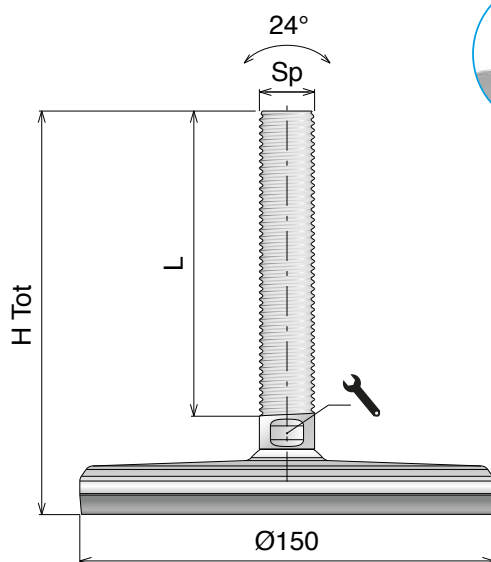


SLIT VERSION



ANTI-SLIP

Art-Nr.	Sp	H Tot (mm)	L (mm)	Wrench (mm)	Load (N)
902069	M20	87,5	52,3	17	45.000
902070		117,5	82,3	17	
902071		147,5	112,3	17	
902072		177,5	142,3	17	
902073		227,5	192,3	17	
902074		287,5	252,3	17	
902075	M24	117,5	76	19	70.000
902076		147,5	106	19	
902077		177,5	136	19	
902078		227,5	186	19	
902079		287,5	246	19	
902080	M30	147,5	106	24	100.000
902081		177,5	136	24	
902082		227,5	186	24	
902083		287,5	246	24	
902084		337,5	296	24	
902085	M36	177,5	136	30	130.000
902086		227,5	186	30	
902087		287,5	246	30	
902088		337,5	296	30	



Ø 150  
DIAMETER (mm)



HIGH LOAD



SLIT VERSION



ANTI-SLIP

Art-Nr.	Sp	H Tot (mm)	L (mm)	Wrench (mm)	Load (N)
902089	M20	87,5	52,3	17	45.000
902090		117,5	82,3	17	
902091		147,5	112,3	17	
902092		177,5	142,3	17	
902093		227,5	192,3	17	
902094		287,5	252,3	17	
902095	M24	117,5	76	19	70.000
902096		147,5	106	19	
902097		177,5	136	19	
902098		227,5	186	19	
902099		287,5	246	19	
902100	M30	147,5	106	24	100.000
902101		177,5	136	24	
902102		227,5	186	24	
902103		287,5	246	24	
902104		337,5	296	24	
902105	M36	177,5	136	30	150.000
902106		227,5	186	30	
902107		287,5	246	30	
902108		337,5	296	30	



Core product range of Easy Clean  
Levelling Feet can be found [here](#).

## S400B Series HYGIENIC STAINLESS STEEL LEVELERS

RANGE EXTENSION

Delivery: **Easy** **Standard**

### S400B

#### Main features:

- Overmolded baseplate in AISI 304
- Spindle and cover in AISI 304
- Washer in AISI 304
- Vulcanized anti-slip NBR rubber

#### Versions available:

- with single floor fixation



### S400B SPLIT

#### Main features:

- Overmolded baseplate in AISI 304
- Spindle and cover in AISI 304
- Separate spindle and baseplate
- Vulcanized anti-slip NBR rubber



### S400B HEAVY

#### Main features:

- Full machined baseplate in AISI 304
- Spindle and cover in AISI 304
- Washer in AISI 304 stainless steel

#### Versions available:

- Vulcanized anti-slip NBR rubber
- Double floor fixation



### S400B HEAVY-SPLIT

#### Main features:

- Full machined baseplate in AISI 304
- Spindle and cover in AISI 304
- Separate spindle and baseplate

#### Versions available:

- Vulcanized anti-slip NBR rubber



The **S400B series**, with overmolded baseplate in AISI 304 stainless steel, threaded spindle with complete closure cover and stainless steel washer is the best choice for industrial environments where a high level of hygiene is required, like food, chemical and pharmaceutical industries.

The stainless steel baseplate and its particular shape guarantee an excellent cleanability, especially in critical conditions; the stainless steel cover avoids exposure of the thread part to external agents; the stainless steel washer ensures complete closure between the spindle and the baseplate and the NBR rubber guarantees anti-slip properties and hermetic closure between the leveler and the floor.

Maximum compressive strength (static load) as in the table, maximum tensile strength (static load) 4.000 N (S400); 8.000 N (S400 HEAVY); NOT AVAILABLE (SLIT and HEAVY-DUTY).

Accessori / Accessories / Zubehör

Find out more details on page 643/644



Core product range of Easy Clean  
Levelling Feet can be found **here**.

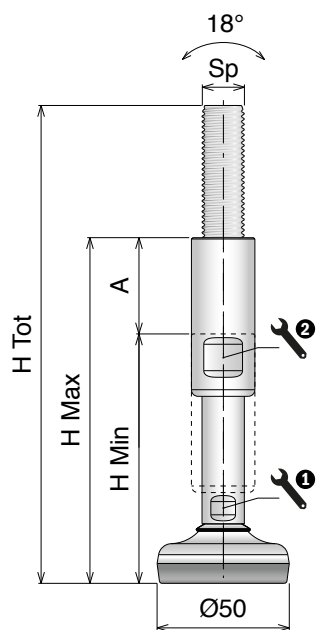
# S400B Series

Piedi di livellamento / Leveling feet / Nivellierfüße

On request vulcanized rubber can be provided  
white or blue and spindle can be made in AISI 316.

**Materiale / Material / Materialien:**

Base, stelo, rondella e boccola: Acciaio inox  
Base plate, spindle, washer and cover: Stainless steel  
Fussplatte, Spindel, Scheibe und Hülse: Edelstahl

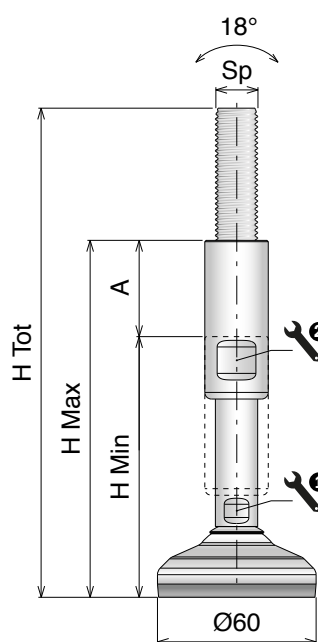


## Ø50

DIAMETER (mm)



Art-Nr.	Sp	H Tot (mm)	H Min (mm)	H Max (mm)	A (mm)	1 (mm)	2 (mm)	Load (N)
902109	M12	181	101	146	45	10	17	3.000
902110		231	131	196	65	10	17	
902111	M16	181	101	146	45	13	19	3.000
902112		231	131	196	65	13	19	
902113	M20	181	101	146	45	17	24	3.000
902114		231	131	196	65	17	24	
902115	M24	181	101	146	45	19	30	3.000
902116		231	131	196	65	19	30	
902117	M30	181	101	146	45	24	36	3.000
902118		231	131	196	65	24	36	
902119		291	191	256	65	24	36	
902120	M36	181	101	146	45	30	42	3.000
902121		231	131	196	65	30	42	
902122		291	191	256	65	30	42	



## Ø60

DIAMETER (mm)



Art-Nr.	Sp	H Tot (mm)	H Min (mm)	H Max (mm)	A (mm)	1 (mm)	2 (mm)	Load (N)
902123	M12	185	105	150	45	10	17	4.500
902124		235	135	200	65	10	17	
902125	M16	185	105	150	45	13	19	4.500
902126		235	135	200	65	13	19	
902127	M20	185	105	150	45	17	24	4.500
902128		235	135	200	65	17	24	
902129	M24	185	105	150	45	19	30	4.500
902130		235	135	200	65	19	30	
902131	M30	185	105	150	45	24	36	4.500
902132		235	135	200	65	24	36	
902133		295	195	260	65	24	36	
902134	M36	185	105	150	45	30	42	4.500
902135		235	135	200	65	30	42	
902136		295	195	260	65	30	42	



Core product range of Easy Clean  
Levelling Feet can be found **here**.

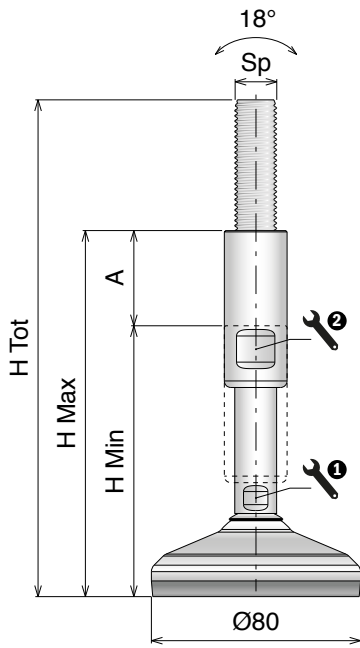
**Materiale / Material / Materialien:**

Base, stelo, rondella e boccia: Acciaio inox  
 Base plate, spindle, washer and cover: Stainless steel  
 Fussplatte, Spindel, Scheibe und Hülse: Edelstahl

On request vulcanized rubber can be provided  
 white or blue and spindle can be made in AISI 316.

# S400B Series

Piedi di livellamento / Leveling feet / Nivellierfüße

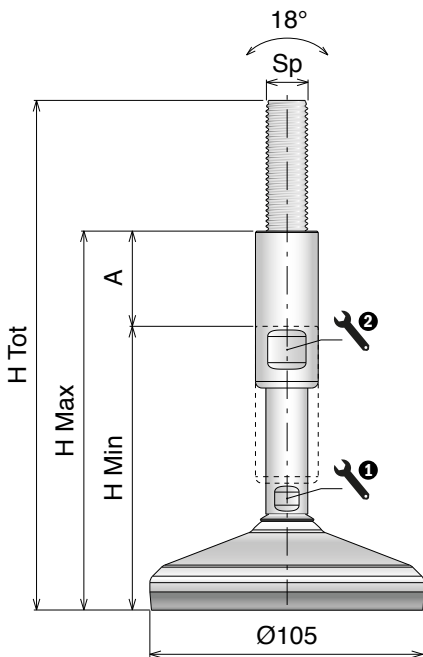


## Ø80

DIAMETER (mm)



Art-Nr.	Sp	H Tot (mm)	H Min (mm)	H Max (mm)	A (mm)	1 (mm)	2 (mm)	Load (N)
<b>902165</b>	M12	190	110	155	45	10	17	12.000
<b>902166</b>		240	140	205	65	10	17	
<b>902167</b>	M16	190	110	155	45	13	19	15.000
<b>902168</b>		240	140	205	65	13	19	
<b>902169</b>	M20	190	110	155	45	17	24	15.000
<b>902170</b>		240	140	205	65	17	24	
<b>902171</b>	M24	190	110	155	45	19	30	15.000
<b>902172</b>		240	140	205	65	19	30	
<b>902173</b>	M30	190	110	155	45	24	36	15.000
<b>902174</b>		240	140	205	65	24	36	
<b>902175</b>		300	200	265	65	24	36	
<b>902176</b>	M36	190	110	155	45	30	42	15.000
<b>902177</b>		240	140	205	65	30	42	
<b>902178</b>		300	200	265	65	30	42	



## Ø105

DIAMETER (mm)



Art-Nr.	Sp	H Tot (mm)	H Min (mm)	H Max (mm)	A (mm)	1 (mm)	2 (mm)	Load (N)
<b>902193</b>	M12	195	115	160	45	10	17	12.000
<b>902194</b>		245	145	210	65	10	17	
<b>902195</b>	M16	195	115	160	45	13	19	25.000
<b>902196</b>		245	145	210	65	13	19	
<b>902197</b>	M20	195	115	160	45	17	24	25.000
<b>902198</b>		245	145	210	65	17	24	
<b>902199</b>	M24	195	115	160	45	19	30	25.000
<b>902200</b>		245	145	210	65	19	30	
<b>902201</b>	M30	195	115	160	45	24	36	25.000
<b>902202</b>		245	145	210	65	24	36	
<b>902203</b>		305	205	270	65	24	36	
<b>902204</b>	M36	195	115	160	45	30	42	25.000
<b>902205</b>		245	145	210	65	30	42	
<b>902206</b>		305	205	270	65	30	42	



Core product range of Easy Clean  
 Levelling Feet can be found **here**.

**Movex**

Oadby Core product range

Available from stock in Leicester

Easy Available from stock in Italy

Standard Produced to order in Italy

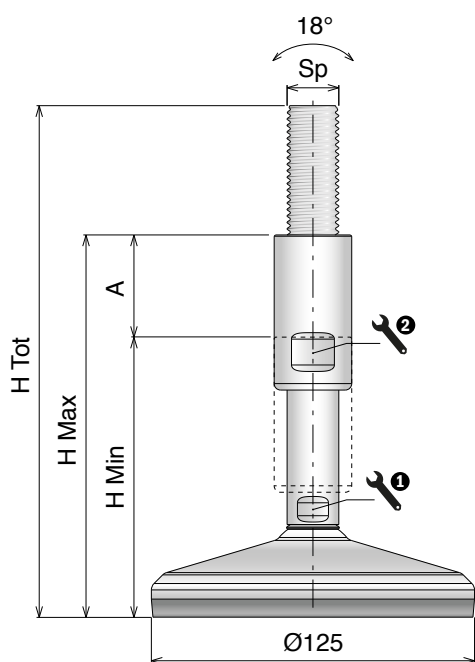
# S400B Series

Piedi di livellamento / Leveling feet / Nivellierfüße

On request vulcanized rubber can be provided  
white or blue and spindle can be made in AISI 316.

**Materiale / Material / Materialien:**

Base, stelo, rondella e boccola: Acciaio inox  
Base plate, spindle, washer and cover: Stainless steel  
Fussplatte, Spindel, Scheibe und Hülse: Edelstahl

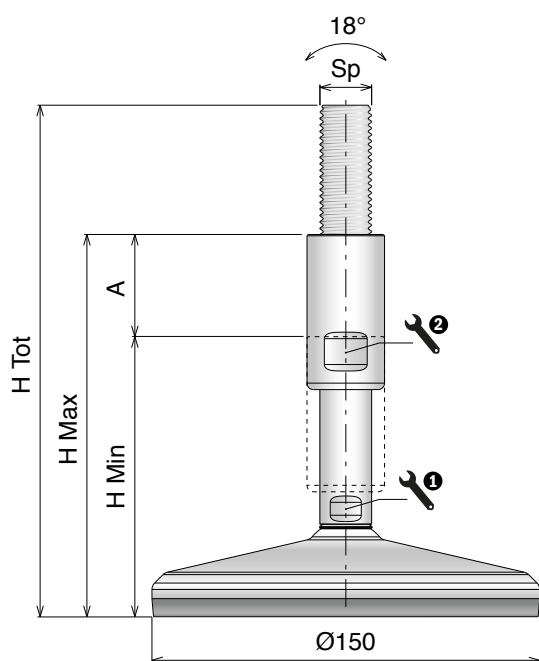


## Ø125

DIAMETER (mm)



Art-Nr.	Sp	H Tot (mm)	H Min (mm)	H Max (mm)	A (mm)	1 (mm)	2 (mm)	Load (N)
902207	M12	195	115	160	45	10	17	12.000
902208		245	145	210	65	10	17	
902209	M16	195	115	160	45	13	19	30.000
902210		245	145	210	65	13	19	
902211	M20	195	115	160	45	17	24	30.000
902212		245	145	210	65	17	24	
902213	M24	195	115	160	45	19	30	30.000
902214		245	145	210	65	19	30	
902215	M30	195	115	160	45	24	36	30.000
902216		245	145	210	65	24	36	
902217		305	205	270	65	24	36	
902218	M36	195	115	160	45	30	42	30.000
902219		245	145	210	65	30	42	
902220		305	205	270	65	30	42	



## Ø150

DIAMETER (mm)



Art-Nr.	Sp	H Tot (mm)	H Min (mm)	H Max (mm)	A (mm)	1 (mm)	2 (mm)	Load (N)
902221	M12	195	115	160	45	10	17	12.000
902222		245	145	210	65	10	17	
902223	M16	195	115	160	45	13	19	30.000
902224		245	145	210	65	13	19	
902225	M20	195	115	160	45	17	24	45.000
902226		245	145	210	65	17	24	
902227	M24	195	115	160	45	19	30	45.000
902228		245	145	210	65	19	30	
902229	M30	195	115	160	45	24	36	45.000
902230		245	145	210	65	24	36	
902231		305	205	270	65	24	36	
902232	M36	195	115	160	45	30	42	45.000
902233		245	145	210	65	30	42	
902234		305	205	270	65	30	42	



Core product range of Easy Clean  
Levelling Feet can be found **here**.

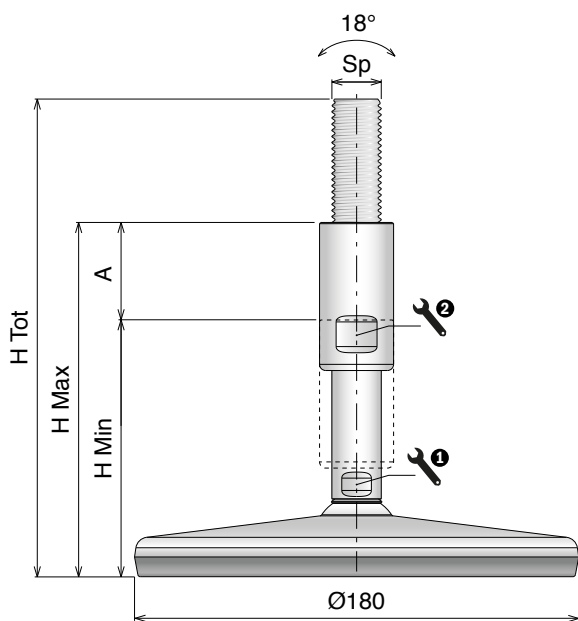
**Materiale / Material / Materialien:**

Base, stelo, rondella e boccia: Acciaio inox  
 Base plate, spindle, washer and cover: Stainless steel  
 Fussplatte, Spindel, Scheibe und Hülse: Edelstahl

On request vulcanized rubber can be provided  
 white or blue and spindle can be made in AISI 316.

# S400B Series

Piedi di livellamento / Leveling feet / Nivellierfüße



## Ø180

DIAMETER (mm)



ANTI-SLIP

Art-Nr.	Sp	H Tot (mm)	H Min (mm)	H Max (mm)	A (mm)	1 (mm)	2 (mm)	Load (N)
<b>902235</b>	M12	191	111	156	45	10	17	12.000
<b>902236</b>		241	141	206	65	10	17	
<b>902237</b>	M16	191	111	156	45	13	19	30.000
<b>902238</b>		241	141	206	65	13	19	
<b>902239</b>	M20	191	111	156	45	17	24	38.000
<b>902240</b>		241	141	206	65	17	24	
<b>902241</b>	M24	191	111	156	45	19	30	38.000
<b>902242</b>		241	141	206	65	19	30	
<b>902243</b>	M30	191	111	156	45	24	36	38.000
<b>902244</b>		241	141	206	65	24	36	
<b>902245</b>		301	201	266	65	24	36	
<b>902246</b>	M36	191	111	156	45	30	42	38.000
<b>902247</b>		241	141	206	65	30	42	
<b>902248</b>		301	201	266	65	30	42	



Core product range of Easy Clean  
 Levelling Feet can be found **here**.

**Movex**

Oadby Available from stock in Leicester

Oadby Core product range

Easy Available from stock in Italy

Standard Produced to order in Italy

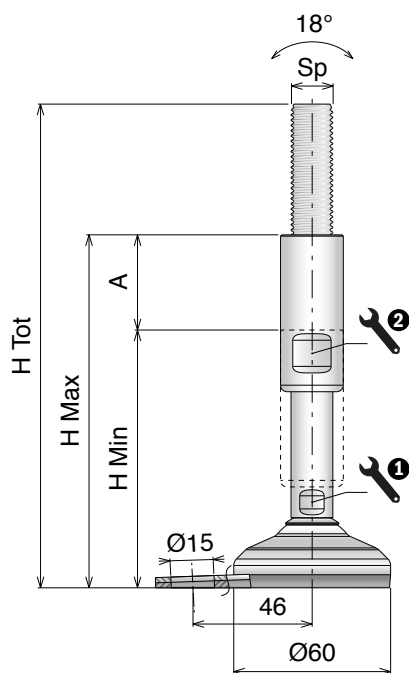
# S400B Series

Piedi di livellamento / Leveling feet / Nivellierfüße

On request vulcanized rubber can be provided  
white or blue and spindle can be made in AISI 316.

**Materiale / Material / Materialien:**

Base, stelo, rondella e boccola: Acciaio inox  
Base plate, spindle, washer and cover: Stainless steel  
Fussplatte, Spindel, Scheibe und Hülse: Edelstahl



## Ø 60

DIAMETER (mm)

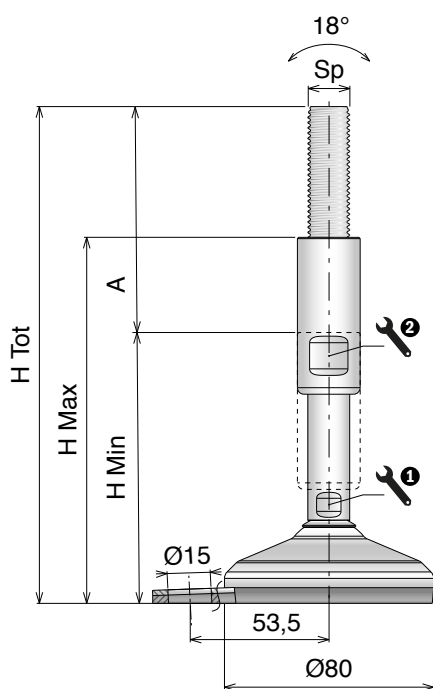


ANTI-SLIP



FIXING POINT

Art-Nr.	Sp	H Tot (mm)	H Min (mm)	H Max (mm)	A (mm)	1 (mm)	2 (mm)	Load (N)
902249	M12	185	105	150	45	10	17	4.500
902250		235	135	200	65	10	17	
902251	M16	185	105	150	45	13	19	4.500
902252		235	135	200	65	13	19	
902253	M20	185	105	150	45	17	24	4.500
902254		235	135	200	65	17	24	
902255	M24	185	105	150	45	19	30	4.500
902256		235	135	200	65	19	30	
902257	M30	185	105	150	45	24	36	4.500
902258		235	135	200	65	24	36	
902259		295	195	260	65	24	36	
902260	M36	185	105	150	45	30	42	4.500
902261		235	135	200	65	30	42	
902262		295	195	260	65	30	42	



## Ø 80

DIAMETER (mm)



ANTI-SLIP



FIXING POINT

Art-Nr.	Sp	H Tot (mm)	H Min (mm)	H Max (mm)	A (mm)	1 (mm)	2 (mm)	Load (N)
902277	M12	190	110	155	45	10	17	12.000
902278		240	140	205	65	10	17	
902279	M16	190	110	155	45	13	19	15.000
902280		240	140	205	65	13	19	
902281	M20	190	110	155	45	17	24	15.000
902282		240	140	205	65	17	24	
902283	M24	190	110	155	45	19	30	15.000
902284		240	140	205	65	19	30	
902285	M30	190	110	155	45	24	36	15.000
902286		240	140	205	65	24	36	
902287		300	200	265	65	24	36	
902288	M36	190	110	155	45	30	42	15.000
902289		240	140	205	65	30	42	
902290		300	200	265	65	30	42	



Core product range of Easy Clean  
Levelling Feet can be found **here**.



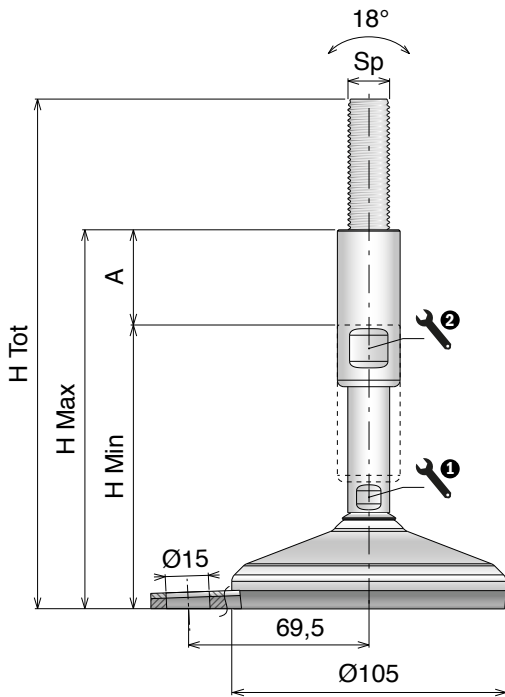
**Materiale / Material / Materialien:**

Base, stelo, rondella e boccia: Acciaio inox  
 Base plate, spindle, washer and cover: Stainless steel  
 Fussplatte, Spindel, Scheibe und Hülse: Edelstahl

On request vulcanized rubber can be provided  
 white or blue and spindle can be made in AISI 316.

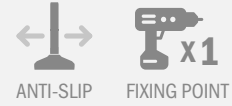
# S400B Series

Piedi di livellamento / Leveling feet / Nivellierfüße

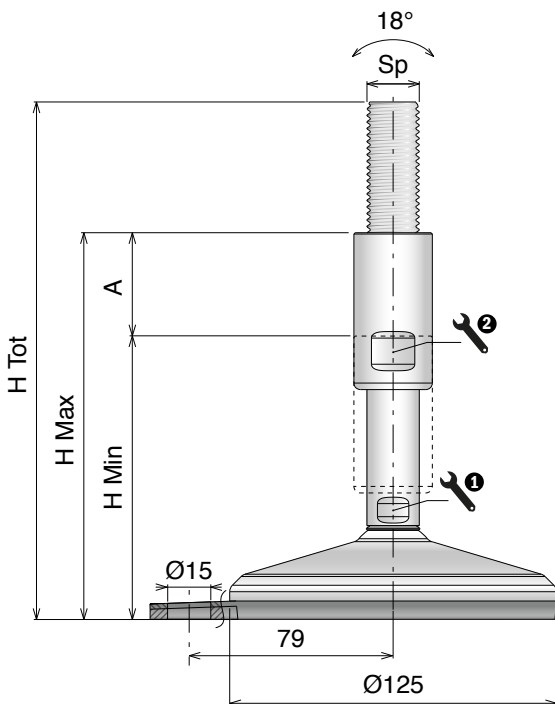


## Ø105

DIAMETER (mm)

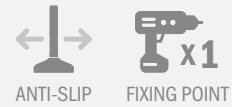


Art-Nr.	Sp	H Tot (mm)	H Min (mm)	H Max (mm)	A (mm)	1 (mm)	2 (mm)	Load (N)
<b>902305</b>	M12	195	115	160	45	10	17	12.000
<b>902306</b>		245	145	210	65	10	17	
<b>902307</b>	M16	195	115	160	45	13	19	25.000
<b>902308</b>		245	145	210	65	13	19	
<b>902309</b>	M20	195	115	160	45	17	24	25.000
<b>902310</b>		245	145	210	65	17	24	
<b>902311</b>	M24	195	115	160	45	19	30	25.000
<b>902312</b>		245	145	210	65	19	30	
<b>902313</b>	M30	195	115	160	45	24	36	25.000
<b>902314</b>		245	145	210	65	24	36	
<b>902315</b>		305	205	270	65	24	36	
<b>902316</b>	M36	195	115	160	45	30	42	25.000
<b>902317</b>		245	145	210	65	30	42	
<b>902318</b>		305	205	270	65	30	42	



## Ø125

DIAMETER (mm)



Art-Nr.	Sp	H Tot (mm)	H Min (mm)	H Max (mm)	A (mm)	1 (mm)	2 (mm)	Load (N)
<b>902319</b>	M12	195	115	160	45	10	17	12.000
<b>902320</b>		245	145	210	65	10	17	
<b>902321</b>	M16	195	115	160	45	13	19	30.000
<b>902322</b>		245	145	210	65	13	19	
<b>902323</b>	M20	195	115	160	45	17	24	30.000
<b>902324</b>		245	145	210	65	17	24	
<b>902325</b>	M24	195	115	160	45	19	30	30.000
<b>902326</b>		245	145	210	65	19	30	
<b>902327</b>	M30	195	115	160	45	24	36	30.000
<b>902328</b>		245	145	210	65	24	36	
<b>902329</b>		305	205	270	65	24	36	
<b>902330</b>	M36	195	115	160	45	30	42	30.000
<b>902331</b>		245	145	210	65	30	42	
<b>902332</b>		305	205	270	65	30	42	



Core product range of Easy Clean  
 Levelling Feet can be found **here**.

**Movex**

Oadby Core product range

Oadby Available from stock in Leicester

Easy Available from stock in Italy

Standard Produced to order in Italy

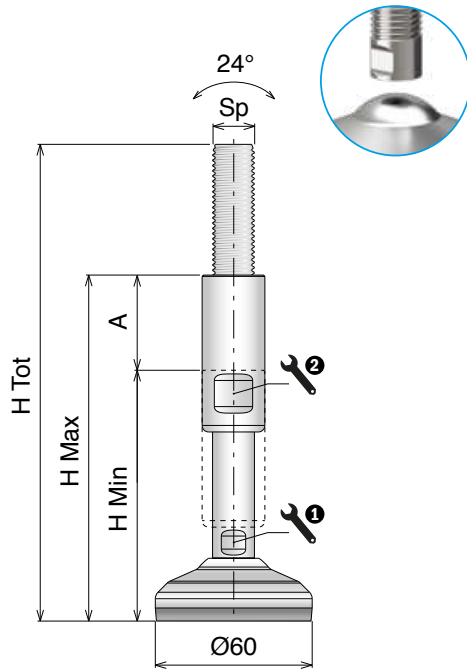
# S400B SPLIT

Piedi di livellamento / Leveling feet / Nivellierfüße

On request vulcanized rubber can be provided  
white or blue and spindle can be made in AISI 316.

**Materiale / Material / Materialien:**

Base, stelo, rondella e boccola: Acciaio inox  
Base plate, spindle, washer and cover: Stainless steel  
Fussplatte, Spindel, Scheibe und Hülse: Edelstahl



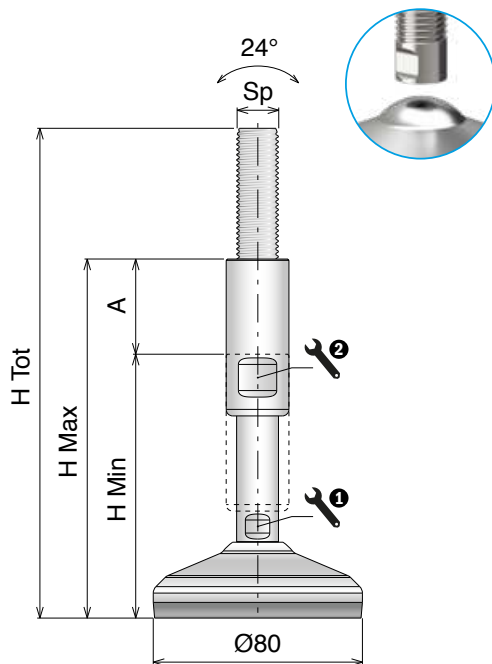
## Ø60

DIAMETER (mm)



SLIT VERSION ANTI-SLIP

Art-Nr.	Sp	H Tot (mm)	H Min (mm)	H Max (mm)	A (mm)	1 (mm)	2 (mm)	Load (N)
902333	M12	184	104	149	45	10	17	4.500
902334		234	134	199	65	10	17	
902335	M16	184	104	149	45	13	19	4.500
902336		234	134	199	65	13	19	
902337	M20	184	104	149	45	17	24	4.500
902338		234	134	199	65	17	24	
902339	M24	184	104	149	45	19	30	4.500
902340		234	134	199	65	19	30	
902341	M30	184	104	149	45	24	36	4.500
902342		234	134	199	65	24	36	
902343		294	194	259	65	24	36	
902344	M36	184	104	149	45	30	42	4.500
902345		234	134	199	65	30	42	
902346		294	194	259	65	30	42	



## Ø80

DIAMETER (mm)



SLIT VERSION ANTI-SLIP

Art-Nr.	Sp	H Tot (mm)	H Min (mm)	H Max (mm)	A (mm)	1 (mm)	2 (mm)	Load (N)
902347	M12	189	109	154	45	10	17	12.000
902348		239	139	204	65	10	17	
902349	M16	189	109	154	45	13	19	15.000
902350		239	139	204	65	13	19	
902351	M20	189	109	154	45	17	24	15.000
902352		239	139	204	65	17	24	
902353	M24	189	109	154	45	19	30	15.000
902354		239	139	204	65	19	30	
902355	M30	189	109	154	45	24	36	15.000
902356		239	139	204	65	24	36	
902357		299	199	264	65	24	36	
902358	M36	189	109	154	45	30	42	15.000
902359		239	139	204	65	30	42	
902360		299	199	264	65	30	42	



Core product range of Easy Clean  
Levelling Feet can be found **here**.

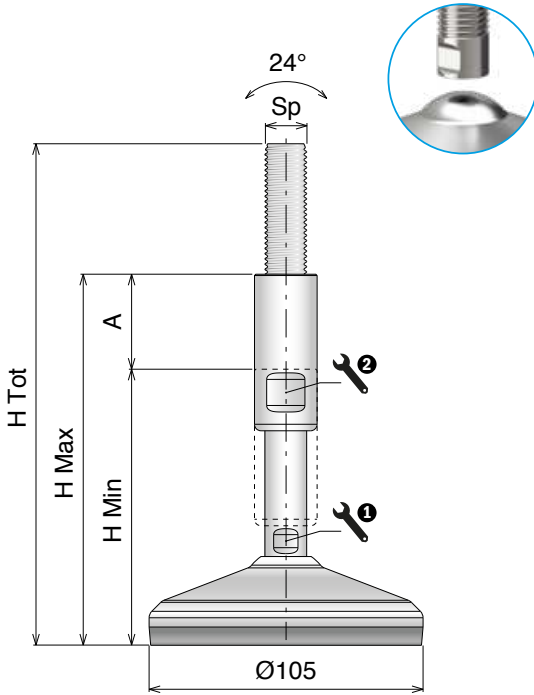
**Materiale / Material / Materialien:**

Base, stelo, rondella e boccia: Acciaio inox  
 Base plate, spindle, washer and cover: Stainless steel  
 Fussplatte, Spindel, Scheibe und Hülse: Edelstahl

On request vulcanized rubber can be provided  
 white or blue and spindle can be made in AISI 316.

# S400B SPLIT

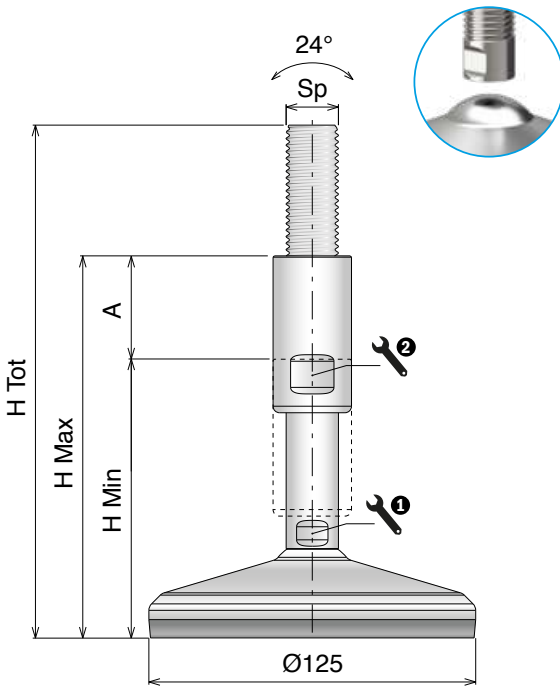
Piedi di livellamento / Leveling feet / Nivellierfüße



**Ø105**  
 DIAMETER (mm)



Art-Nr.	Sp	H Tot (mm)	H Min (mm)	H Max (mm)	A (mm)	1 (mm)	2 (mm)	Load (N)
<b>902361</b>	M12	194	114	159	45	10	17	12.000
<b>902362</b>		244	144	209	65	10	17	
<b>902363</b>	M16	194	114	159	45	13	19	25.000
<b>902364</b>		244	144	209	65	13	19	
<b>902365</b>	M20	194	114	159	45	17	24	25.000
<b>902366</b>		244	144	209	65	17	24	
<b>902367</b>	M24	194	114	159	45	19	30	25.000
<b>902368</b>		244	144	209	65	19	30	
<b>902369</b>	M30	194	114	159	45	24	36	25.000
<b>902370</b>		244	144	209	65	24	36	
<b>902371</b>		304	204	269	65	24	36	
<b>902372</b>	M36	194	114	159	45	30	42	25.000
<b>902373</b>		244	144	209	65	30	42	
<b>902374</b>		304	204	269	65	30	42	



**Ø125**  
 DIAMETER (mm)



Art-Nr.	Sp	H Tot (mm)	H Min (mm)	H Max (mm)	A (mm)	1 (mm)	2 (mm)	Load (N)
<b>902375</b>	M12	194	114	159	45	10	17	12.000
<b>902376</b>		244	144	209	65	10	17	
<b>902377</b>	M16	194	114	159	45	13	19	30.000
<b>902378</b>		244	144	209	65	13	19	
<b>902379</b>	M20	194	114	159	45	17	24	30.000
<b>902380</b>		244	144	209	65	17	24	
<b>902381</b>	M24	194	114	159	45	19	30	30.000
<b>902382</b>		244	144	209	65	19	30	
<b>902383</b>	M30	194	114	159	45	24	36	30.000
<b>902384</b>		244	144	209	65	24	36	
<b>902385</b>		304	204	269	65	24	36	
<b>902386</b>	M36	194	114	159	45	30	42	30.000
<b>902387</b>		244	144	209	65	30	42	
<b>902388</b>		304	204	269	65	30	42	



Core product range of Easy Clean  
 Levelling Feet can be found **here**.

**Movex**

Available from stock in Leicester

Core product range

Available from stock in Italy

Standard Produced to order in Italy

Piedi di livellamento / Leveling feet / Nivellierfüße

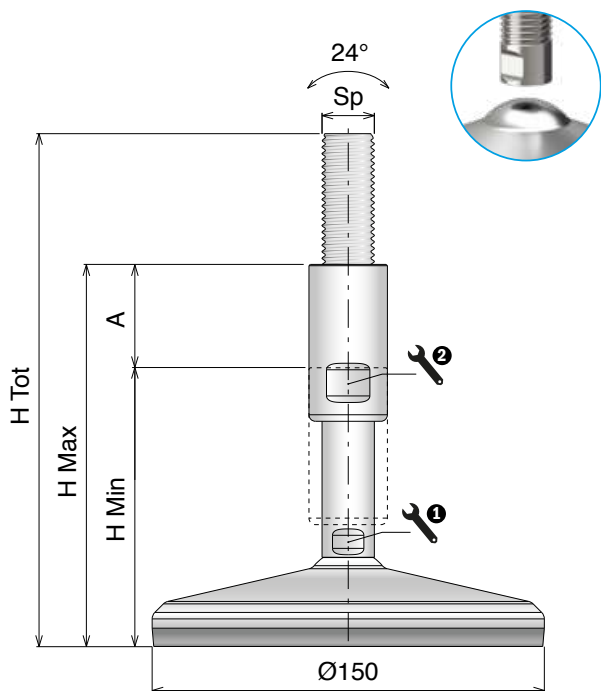
# S400B SPLIT

Piedi di livellamento / Leveling feet / Nivellierfüße

On request vulcanized rubber can be provided  
white or blue and spindle can be made in AISI 316.

## Materiale / Material / Materialien:

Base, stelo, rondella e boccia: Acciaio inox  
Base plate, spindle, washer and cover: Stainless steel  
Fussplatte, Spindel, Scheibe und Hülse: Edelstahl



## Ø 150

DIAMETER (mm)



SLIT VERSION ANTI-SLIP

Art-Nr.	Sp	H Tot (mm)	H Min (mm)	H Max (mm)	A (mm)	1 (mm)	2 (mm)	Load (N)
<b>902389</b>	M12	194	114	159	45	10	17	12.000
<b>902390</b>		244	144	209	65	10	17	
<b>902391</b>	M16	194	114	159	45	13	19	30.000
<b>902392</b>		244	144	209	65	13	19	
<b>902393</b>	M20	194	114	159	45	17	24	45.000
<b>902394</b>		244	144	209	65	17	24	
<b>902395</b>	M24	194	114	159	45	19	30	45.000
<b>902396</b>		244	144	209	65	19	30	
<b>902397</b>	M30	194	114	159	45	24	36	45.000
<b>902398</b>		244	144	209	65	24	36	
<b>902399</b>		304	204	269	65	24	36	
<b>902400</b>	M36	194	114	159	45	30	42	45.000
<b>902401</b>		244	144	209	65	30	42	
<b>902402</b>		304	204	269	65	30	42	



Core product range of Easy Clean  
Levelling Feet can be found **here**.

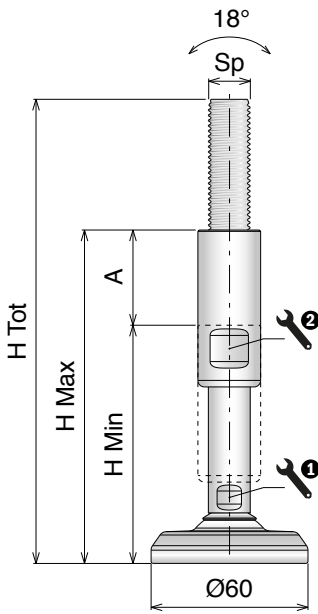
**Materiale / Material / Materialien:**

Base, stelo, rondella e boccia: Acciaio inox  
 Base plate, spindle, washer and cover: Stainless steel  
 Fussplatte, Spindel, Scheibe und Hülse: Edelstahl

On request spindle can be made in AISI 316.

# S400B HEAVY

Piedi di livellamento / Leveling feet / Nivellierfüße



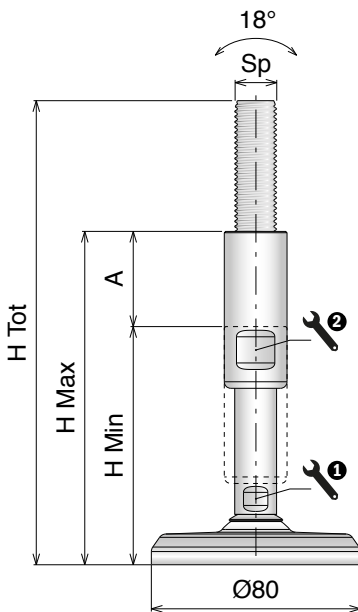
## Ø 60

DIAMETER (mm)



HIGH LOAD

Art-Nr.	Sp	H Tot (mm)	H Min (mm)	H Max (mm)	A (mm)	1 (mm)	2 (mm)	Load (N)
<b>902403</b>	M12	177,5	97,5	142,5	45	10	17	12.000
<b>902404</b>		227,5	127,5	192,5	65	10	17	
<b>902405</b>	M16	177,5	97,5	142,5	45	13	19	30.000
<b>902406</b>		227,5	127,5	192,5	65	13	19	
<b>902407</b>	M20	177,5	97,5	142,5	45	17	24	45.000
<b>902408</b>		227,5	127,5	192,5	65	17	24	
<b>902409</b>	M24	177,5	97,5	142,5	45	19	30	60.000
<b>902410</b>		227,5	127,5	192,5	65	19	30	
<b>902411</b>	M30	177,5	97,5	142,5	45	24	36	60.000
<b>902412</b>		227,5	127,5	192,5	65	24	36	
<b>902413</b>		287,5	187,5	252,5	65	24	36	
<b>902414</b>	M36	177,5	97,5	142,5	45	30	42	60.000
<b>902415</b>		227,5	127,5	192,5	65	30	42	
<b>902416</b>		287,5	187,5	252,5	65	30	42	



## Ø 80

DIAMETER (mm)



HIGH LOAD

Art-Nr.	Sp	H Tot (mm)	H Min (mm)	H Max (mm)	A (mm)	1 (mm)	2 (mm)	Load (N)
<b>902417</b>	M12	177,5	97,5	142,5	45	10	17	12.000
<b>902418</b>		227,5	127,5	192,5	65	10	17	
<b>902419</b>	M16	177,5	97,5	142,5	45	13	19	30.000
<b>902420</b>		227,5	127,5	192,5	65	13	19	
<b>902421</b>	M20	177,5	97,5	142,5	45	17	24	45.000
<b>902422</b>		227,5	127,5	192,5	65	17	24	
<b>902423</b>	M24	177,5	97,5	142,5	45	19	30	70.000
<b>902424</b>		227,5	127,5	192,5	65	19	30	
<b>902425</b>	M30	177,5	97,5	142,5	45	24	36	80.000
<b>902426</b>		227,5	127,5	192,5	65	24	36	
<b>902427</b>		287,5	187,5	252,5	65	24	36	
<b>902428</b>	M36	177,5	97,5	142,5	45	30	42	80.000
<b>902429</b>		227,5	127,5	192,5	65	30	42	
<b>902430</b>		287,5	187,5	252,5	65	30	42	



Core product range of Easy Clean  
 Levelling Feet can be found **here**.

**Movex**

Oadby Core product range

Available from stock in Leicester

Easy Available from stock in Italy

Standard Produced to order in Italy

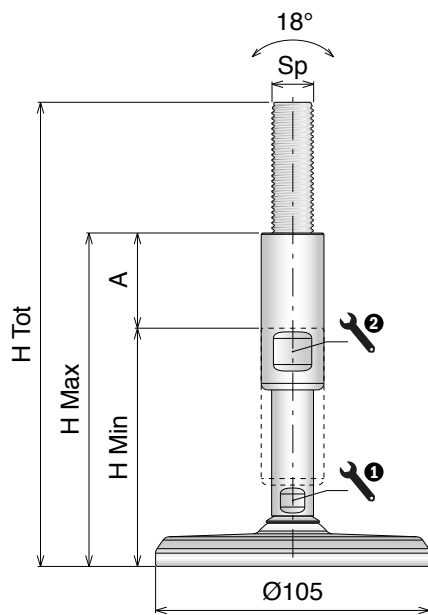
# S400B HEAVY

Piedi di livellamento / Leveling feet / Nivellierfüße

On request spindle can be made in AISI 316.

**Materiale / Material / Materialien:**

Base, stelo, rondella e boccia: Acciaio inox  
Base plate, spindle, washer and cover: Stainless steel  
Fussplatte, Spindel, Scheibe und Hülse: Edelstahl

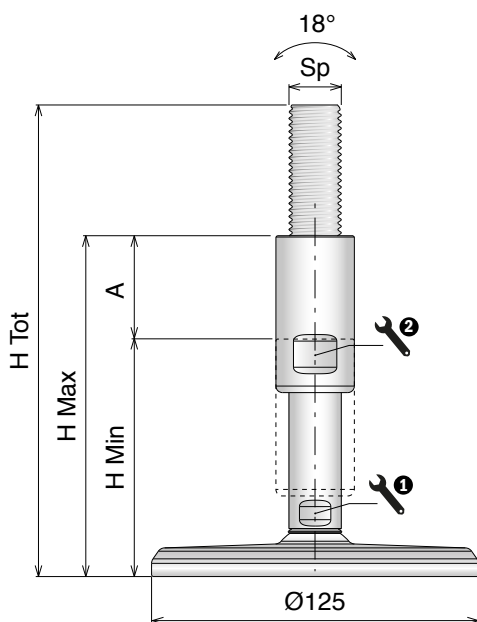


## Ø105

DIAMETER (mm)

**Kg**  
HIGH LOAD

Art-Nr.	Sp	H Tot (mm)	H Min (mm)	H Max (mm)	A (mm)	1 (mm)	2 (mm)	Load (N)
<b>902431</b>	M12	177,5	97,5	142,5	45	10	17	12.000
<b>902432</b>		227,5	127,5	192,5	65	10	17	
<b>902433</b>	M16	177,5	97,5	142,5	45	13	19	30.000
<b>902434</b>		227,5	127,5	192,5	65	13	19	
<b>902435</b>	M20	177,5	97,5	142,5	45	17	24	45.000
<b>902436</b>		227,5	127,5	192,5	65	17	24	
<b>902437</b>	M24	177,5	97,5	142,5	45	19	30	70.000
<b>902438</b>		227,5	127,5	192,5	65	19	30	
<b>902439</b>	M30	177,5	97,5	142,5	45	24	36	100.000
<b>902440</b>		227,5	127,5	192,5	65	24	36	
<b>902441</b>		287,5	187,5	252,5	65	24	36	
<b>902442</b>	M36	177,5	97,5	142,5	45	30	42	120.000
<b>902443</b>		227,5	127,5	192,5	65	30	42	
<b>902444</b>		287,5	187,5	252,5	65	30	42	



## Ø125

DIAMETER (mm)

**Kg**  
HIGH LOAD

Art-Nr.	Sp	H Tot (mm)	H Min (mm)	H Max (mm)	A (mm)	1 (mm)	2 (mm)	Load (N)
<b>902445</b>	M12	177,5	97,5	142,5	45	10	17	12.000
<b>902446</b>		227,5	127,5	192,5	65	10	17	
<b>902447</b>	M16	177,5	97,5	142,5	45	13	19	30.000
<b>902448</b>		227,5	127,5	192,5	65	13	19	
<b>902449</b>	M20	177,5	97,5	142,5	45	17	24	45.000
<b>902450</b>		227,5	127,5	192,5	65	17	24	
<b>902451</b>	M24	177,5	97,5	142,5	45	19	30	70.000
<b>902452</b>		227,5	127,5	192,5	65	19	30	
<b>902453</b>	M30	177,5	97,5	142,5	45	24	36	100.000
<b>902454</b>		227,5	127,5	192,5	65	24	36	
<b>902455</b>		287,5	187,5	252,5	65	24	36	
<b>902456</b>	M36	177,5	97,5	142,5	45	30	42	130.000
<b>902457</b>		227,5	127,5	192,5	65	30	42	
<b>902458</b>		287,5	187,5	252,5	65	30	42	



Core product range of Easy Clean  
Levelling Feet can be found **here**.

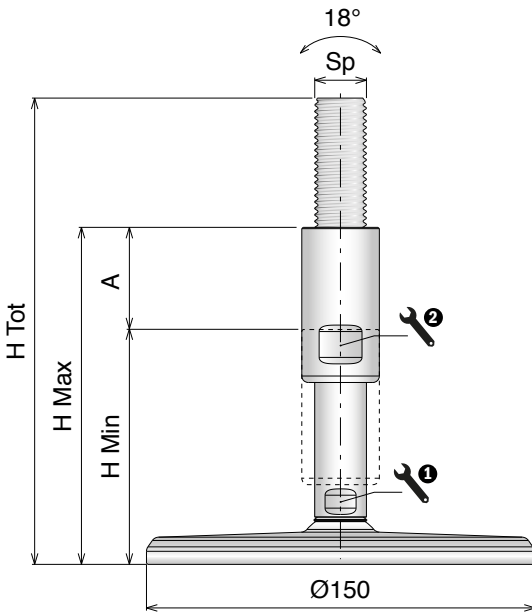
**Materiale / Material / Materialien:**

Base, stelo, rondella e boccia: Acciaio inox  
 Base plate, spindle, washer and cover: Stainless steel  
 Fussplatte, Spindel, Scheibe und Hülse: Edelstahl

On request spindle can be made in AISI 316.

# S400B HEAVY

Piedi di livellamento / Leveling feet / Nivellierfüße



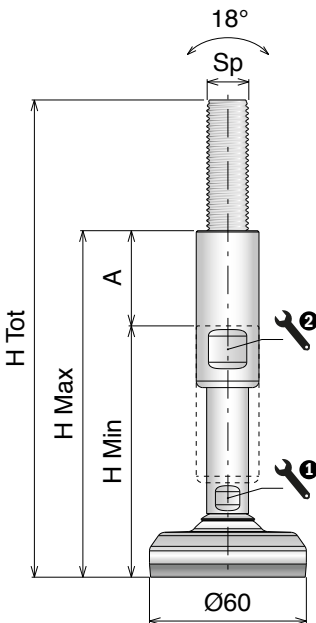
## Ø150

DIAMETER (mm)



HIGH LOAD

Art-Nr.	Sp	H Tot (mm)	H Min (mm)	H Max (mm)	A (mm)	1 (mm)	2 (mm)	Load (N)
902459	M12	177,5	97,5	142,5	45	10	17	12.000
902460		227,5	127,5	192,5	65	10	17	
902461	M16	177,5	97,5	142,5	45	13	19	30.000
902462		227,5	127,5	192,5	65	13	19	
902463	M20	177,5	97,5	142,5	45	17	24	45.000
902464		227,5	127,5	192,5	65	17	24	
902465	M24	177,5	97,5	142,5	45	19	30	70.000
902466		227,5	127,5	192,5	65	19	30	
902467	M30	177,5	97,5	142,5	45	24	36	100.000
902468		227,5	127,5	192,5	65	24	36	
902469		287,5	187,5	252,5	65	24	36	
902470	M36	177,5	97,5	142,5	45	30	42	120.000
902471		227,5	127,5	192,5	65	30	42	
902472		287,5	187,5	252,5	65	30	42	



## Ø60

DIAMETER (mm)



HIGH LOAD



ANTI-SLIP

Art-Nr.	Sp	H Tot (mm)	H Min (mm)	H Max (mm)	A (mm)	1 (mm)	2 (mm)	Load (N)
902473	M12	182,5	102,5	147,5	45	10	17	12.000
902474		232,5	132,5	197,5	65	10	17	
902475	M16	182,5	102,5	147,5	45	13	19	30.000
902476		232,5	132,5	197,5	65	13	19	
902477	M20	182,5	102,5	147,5	45	17	24	45.000
902478		232,5	132,5	197,5	65	17	24	
902479	M24	182,5	102,5	147,5	45	19	30	60.000
902480		232,5	132,5	197,5	65	19	30	
902481	M30	182,5	102,5	147,5	45	24	36	60.000
902482		232,5	132,5	197,5	65	24	36	
902483		292,5	192,5	257,5	65	24	36	
902484	M36	182,5	102,5	147,5	45	30	42	60.000
902485		232,5	132,5	197,5	65	30	42	
902486		292,5	192,5	257,5	65	30	42	



Core product range of Easy Clean  
 Levelling Feet can be found **here**.

**Movex**

Oadby Core product range

Available from stock in Leicester

Easy Available from stock in Italy

Standard Produced to order in Italy

Piedi di livellamento / Leveling feet / Nivellierfüße

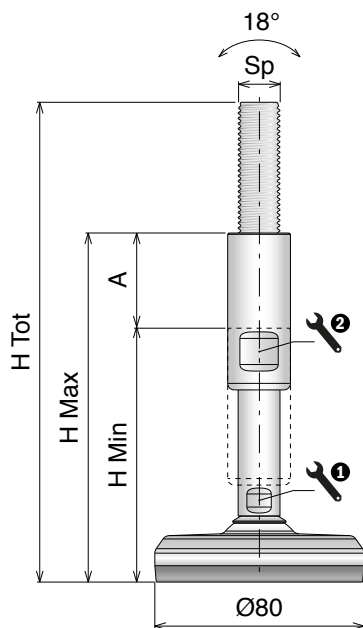
# S400B HEAVY

Piedi di livellamento / Leveling feet / Nivellierfüße

On request vulcanized rubber can be provided  
white or blue and spindle can be made in AISI 316.

**Materiale / Material / Materialien:**

Base, stelo, rondella e boccola: Acciaio inox  
Base plate, spindle, washer and cover: Stainless steel  
Fussplatte, Spindel, Scheibe und Hülse: Edelstahl



## Ø80

DIAMETER (mm)

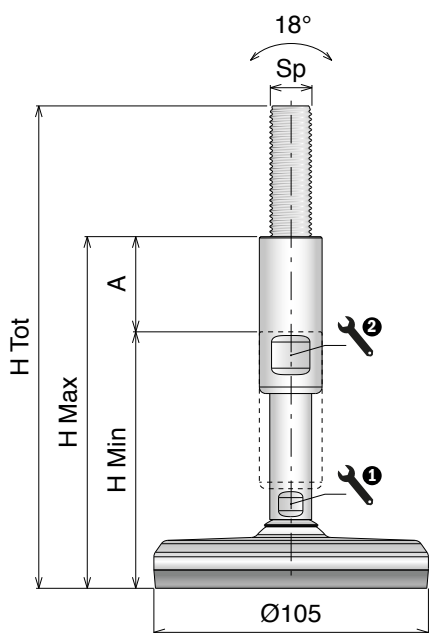


HIGH LOAD



ANTI-SLIP

Art-Nr.	Sp	H Tot (mm)	H Min (mm)	H Max (mm)	A (mm)	1 (mm)	2 (mm)	Load (N)
<b>902487</b>	M12	183,5	103,5	148,5	45	10	17	12.000
<b>902488</b>		233,5	133,5	198,5	65	10	17	
<b>902489</b>	M16	183,5	103,5	148,5	45	13	19	30.000
<b>902490</b>		233,5	133,5	198,5	65	13	19	
<b>902491</b>	M20	183,5	103,5	148,5	45	17	24	45.000
<b>902492</b>		233,5	133,5	198,5	65	17	24	
<b>902493</b>	M24	183,5	103,5	148,5	45	19	30	70.000
<b>902494</b>		233,5	133,5	198,5	65	19	30	
<b>902495</b>	M30	183,5	103,5	148,5	45	24	36	80.000
<b>902496</b>		233,5	133,5	198,5	65	24	36	
<b>902497</b>		293,5	193,5	258,5	65	24	36	
<b>902498</b>	M36	183,5	103,5	148,5	45	30	42	80.000
<b>902499</b>		233,5	133,5	198,5	65	30	42	
<b>902500</b>		293,5	193,5	258,5	65	30	42	



## Ø105

DIAMETER (mm)



HIGH LOAD



ANTI-SLIP

Art-Nr.	Sp	H Tot (mm)	H Min (mm)	H Max (mm)	A (mm)	1 (mm)	2 (mm)	Load (N)
<b>902501</b>	M12	184,5	104,5	149,5	45	10	17	12.000
<b>902502</b>		234,5	134,5	199,5	65	10	17	
<b>902503</b>	M16	184,5	104,5	149,5	45	13	19	30.000
<b>902504</b>		234,5	134,5	199,5	65	13	19	
<b>902505</b>	M20	184,5	104,5	149,5	45	17	24	45.000
<b>902506</b>		234,5	134,5	199,5	65	17	24	
<b>902507</b>	M24	184,5	104,5	149,5	45	19	30	70.000
<b>902508</b>		234,5	134,5	199,5	65	19	30	
<b>902509</b>	M30	184,5	104,5	149,5	45	24	36	100.000
<b>902510</b>		234,5	134,5	199,5	65	24	36	
<b>902511</b>		294,5	194,5	259,5	65	24	36	
<b>902512</b>	M36	184,5	104,5	149,5	45	30	42	120.000
<b>902513</b>		234,5	134,5	199,5	65	30	42	
<b>902514</b>		294,5	194,5	259,5	65	30	42	



Core product range of Easy Clean  
Levelling Feet can be found **here**.



**Materiale / Material / Materialien:**

Base, stelo, rondella e boccia: Acciaio inox  
 Base plate, spindle, washer and cover: Stainless steel  
 Fussplatte, Spindel, Scheibe und Hülse: Edelstahl

On request vulcanized rubber can be provided  
 white or blue and spindle can be made in AISI 316.

# S400B HEAVY

Piedi di livellamento / Leveling feet / Nivellierfüße

## Ø125

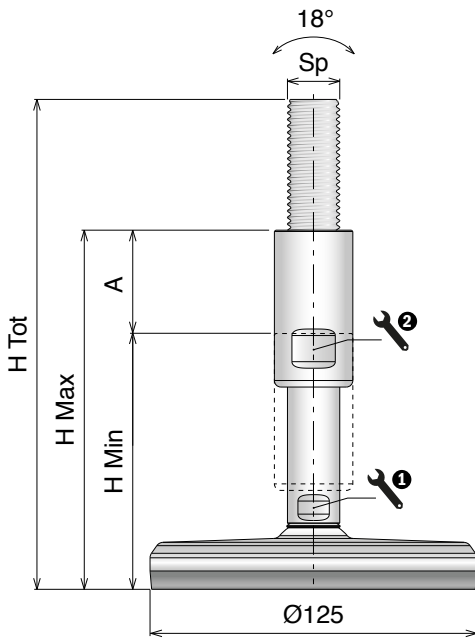
DIAMETER (mm)



HIGH LOAD



ANTI-SLIP



Art-Nr.	Sp	H Tot (mm)	H Min (mm)	H Max (mm)	A (mm)	1 (mm)	2 (mm)	Load (N)
<b>902515</b>	M12	184,5	104,5	149,5	45	10	17	12.000
<b>902516</b>		234,5	134,5	199,5	65	10	17	
<b>902517</b>	M16	184,5	104,5	149,5	45	13	19	30.000
<b>902518</b>		234,5	134,5	199,5	65	13	19	
<b>902519</b>	M20	184,5	104,5	149,5	45	17	24	45.000
<b>902520</b>		234,5	134,5	199,5	65	17	24	
<b>902521</b>	M24	184,5	104,5	149,5	45	19	30	70.000
<b>902522</b>		234,5	134,5	199,5	65	19	30	
<b>902523</b>	M30	184,5	104,5	149,5	45	24	36	100.000
<b>902524</b>		234,5	134,5	199,5	65	24	36	
<b>902525</b>		294,5	194,5	259,5	65	24	36	
<b>902526</b>	M36	184,5	104,5	149,5	45	30	42	130.000
<b>902527</b>		234,5	134,5	199,5	65	30	42	
<b>902528</b>		294,5	194,5	259,5	65	30	42	

## Ø150

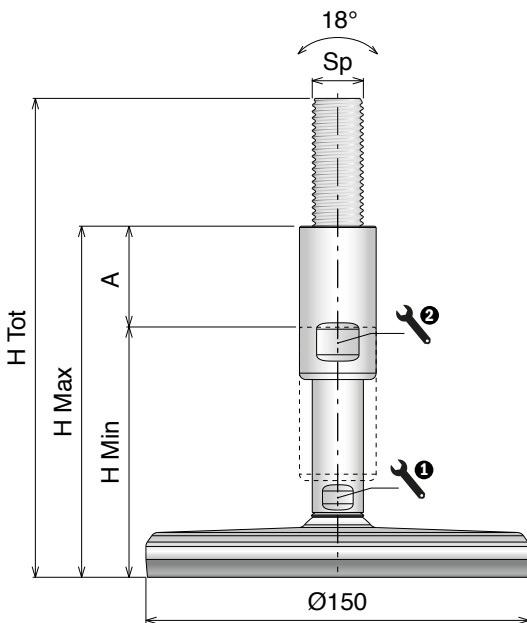
DIAMETER (mm)



HIGH LOAD



ANTI-SLIP



Art-Nr.	Sp	H Tot (mm)	H Min (mm)	H Max (mm)	A (mm)	1 (mm)	2 (mm)	Load (N)
<b>902529</b>	M12	184,5	104,5	149,5	45	10	17	12.000
<b>902530</b>		234,5	134,5	199,5	65	10	17	
<b>902531</b>	M16	184,5	104,5	149,5	45	13	19	30.000
<b>902532</b>		234,5	134,5	199,5	65	13	19	
<b>902533</b>	M20	184,5	104,5	149,5	45	17	24	45.000
<b>902534</b>		234,5	134,5	199,5	65	17	24	
<b>902535</b>	M24	184,5	104,5	149,5	45	19	30	70.000
<b>902536</b>		234,5	134,5	199,5	65	19	30	
<b>902537</b>	M30	184,5	104,5	149,5	45	24	36	100.000
<b>902538</b>		234,5	134,5	199,5	65	24	36	
<b>902539</b>		294,5	194,5	259,5	65	24	36	
<b>902540</b>	M36	184,5	104,5	149,5	45	30	42	150.000
<b>902541</b>		234,5	134,5	199,5	65	30	42	
<b>902542</b>		294,5	194,5	259,5	65	30	42	



Core product range of Easy Clean  
 Levelling Feet can be found **here**.

**Movex**

Oadby Core product range

Available from stock in Leicester

Easy Available from stock in Italy

Standard Produced to order in Italy

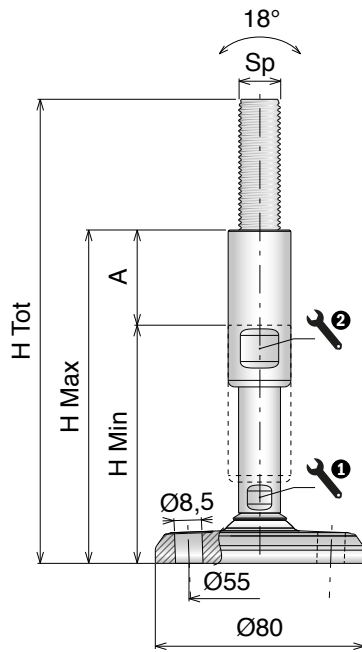
# S400B HEAVY

Piedi di livellamento / Leveling feet / Nivellierfüße

On request spindle can be made in AISI 316.

**Materiale / Material / Materialien:**

Base, stelo, rondella e boccola: Acciaio inox  
Base plate, spindle, washer and cover: Stainless steel  
Fussplatte, Spindel, Scheibe und Hülse: Edelstahl



## Ø 80

DIAMETER (mm)

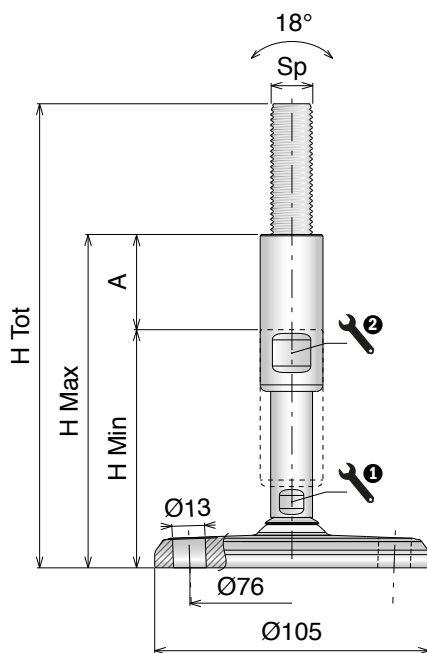


HIGH LOAD



FIXING POINT

Art-Nr.	Sp	H Tot (mm)	H Min (mm)	H Max (mm)	A (mm)	1 (mm)	2 (mm)	Load (N)
<b>902557</b>	M12	177,5	97,5	142,5	45	10	17	12.000
<b>902558</b>		227,5	127,5	192,5	65	10	17	
<b>902559</b>	M16	177,5	97,5	142,5	45	13	19	30.000
<b>902560</b>		227,5	127,5	192,5	65	13	19	
<b>902561</b>	M20	177,5	97,5	142,5	45	17	24	45.000
<b>902562</b>		227,5	127,5	192,5	65	17	24	
<b>902563</b>	M24	177,5	97,5	142,5	45	19	30	70.000
<b>902564</b>		227,5	127,5	192,5	65	19	30	
<b>902565</b>	M30	177,5	97,5	142,5	45	24	36	80.000
<b>902566</b>		227,5	127,5	192,5	65	24	36	
<b>902567</b>		287,5	187,5	252,5	65	24	36	
<b>902568</b>	M36	177,5	97,5	142,5	45	30	42	80.000
<b>902569</b>		227,5	127,5	192,5	65	30	42	
<b>902570</b>		287,5	187,5	252,5	65	30	42	



## Ø 105

DIAMETER (mm)



HIGH LOAD



FIXING POINT

Art-Nr.	Sp	H Tot (mm)	H Min (mm)	H Max (mm)	A (mm)	1 (mm)	2 (mm)	Load (N)
<b>902571</b>	M12	177,5	97,5	142,5	45	10	17	12.000
<b>902572</b>		227,5	127,5	192,5	65	10	17	
<b>902573</b>	M16	177,5	97,5	142,5	45	13	19	30.000
<b>902574</b>		227,5	127,5	192,5	65	13	19	
<b>902575</b>	M20	177,5	97,5	142,5	45	17	24	45.000
<b>902576</b>		227,5	127,5	192,5	65	17	24	
<b>902577</b>	M24	177,5	97,5	142,5	45	19	30	70.000
<b>902578</b>		227,5	127,5	192,5	65	19	30	
<b>902579</b>	M30	177,5	97,5	142,5	45	24	36	100.000
<b>902580</b>		227,5	127,5	192,5	65	24	36	
<b>902581</b>		287,5	187,5	252,5	65	24	36	
<b>902582</b>	M36	177,5	97,5	142,5	45	30	42	120.000
<b>902583</b>		227,5	127,5	192,5	65	30	42	
<b>902584</b>		287,5	187,5	252,5	65	30	42	



Core product range of Easy Clean Levelling Feet can be found [here](#).

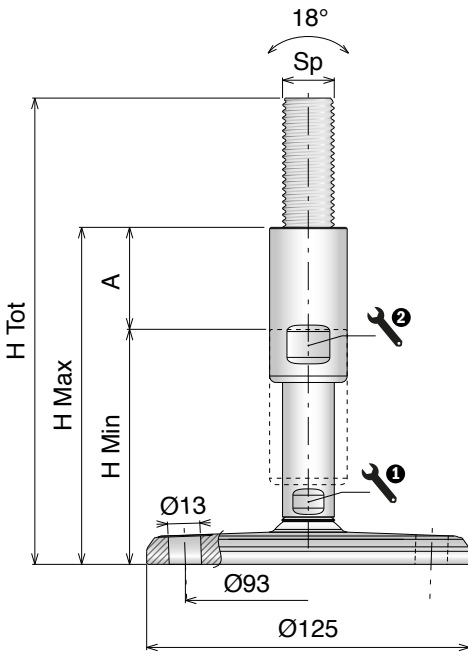
**Materiale / Material / Materialien:**

Base, stelo, rondella e boccia: Acciaio inox  
 Base plate, spindle, washer and cover: Stainless steel  
 Fussplatte, Spindel, Scheibe und Hülse: Edelstahl

On request spindle can be made in AISI 316.

# S400B HEAVY

Piedi di livellamento / Leveling feet / Nivellierfüße



## Ø125

DIAMETER (mm)

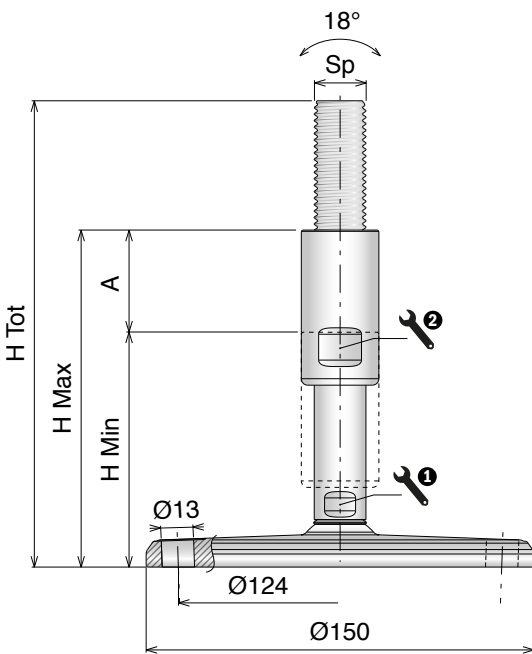


HIGH LOAD



FIXING POINT

Art-Nr.	Sp	H Tot (mm)	H Min (mm)	H Max (mm)	A (mm)	1 (mm)	2 (mm)	Load (N)
<b>902585</b>	M12	177,5	97,5	142,5	45	10	17	12.000
<b>902586</b>		227,5	127,5	192,5	65	10	17	
<b>902587</b>	M16	177,5	97,5	142,5	45	13	19	30.000
<b>902588</b>		227,5	127,5	192,5	65	13	19	
<b>902589</b>	M20	177,5	97,5	142,5	45	17	24	45.000
<b>902590</b>		227,5	127,5	192,5	65	17	24	
<b>902591</b>	M24	177,5	97,5	142,5	45	19	30	70.000
<b>902592</b>		227,5	127,5	192,5	65	19	30	
<b>902593</b>	M30	177,5	97,5	142,5	45	24	36	100.000
<b>902594</b>		227,5	127,5	192,5	65	24	36	
<b>902595</b>		287,5	187,5	252,5	65	24	36	
<b>902596</b>	M36	177,5	97,5	142,5	45	30	42	130.000
<b>902597</b>		227,5	127,5	192,5	65	30	42	
<b>902598</b>		287,5	187,5	252,5	65	30	42	



## Ø150

DIAMETER (mm)



HIGH LOAD



FIXING POINT

Art-Nr.	Sp	H Tot (mm)	H Min (mm)	H Max (mm)	A (mm)	1 (mm)	2 (mm)	Load (N)
<b>902599</b>	M12	177,5	97,5	142,5	45	10	17	12.000
<b>902600</b>		227,5	127,5	192,5	65	10	17	
<b>902601</b>	M16	177,5	97,5	142,5	45	13	19	30.000
<b>902602</b>		227,5	127,5	192,5	65	13	19	
<b>902603</b>	M20	177,5	97,5	142,5	45	17	24	45.000
<b>902604</b>		227,5	127,5	192,5	65	17	24	
<b>902605</b>	M24	177,5	97,5	142,5	45	19	30	70.000
<b>902606</b>		227,5	127,5	192,5	65	19	30	
<b>902607</b>	M30	177,5	97,5	142,5	45	24	36	100.000
<b>902608</b>		227,5	127,5	192,5	65	24	36	
<b>902609</b>		287,5	187,5	252,5	65	24	36	
<b>902610</b>	M36	177,5	97,5	142,5	45	30	42	150.000
<b>902611</b>		227,5	127,5	192,5	65	30	42	
<b>902612</b>		287,5	187,5	252,5	65	30	42	



Core product range of Easy Clean  
 Levelling Feet can be found **here**.

**Movex**

Oadby Core product range

Available from stock in Leicester

Easy Available from stock in Italy

Standard Produced to order in Italy

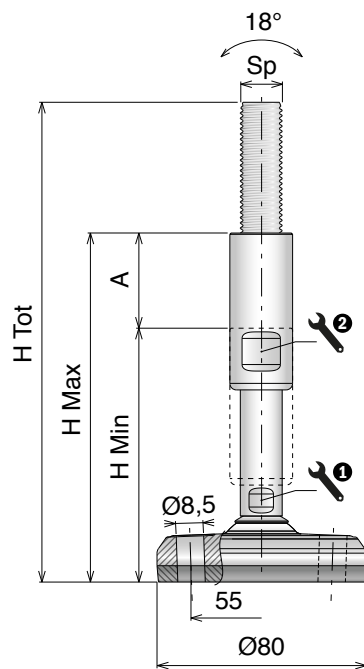
# S400B HEAVY

Piedi di livellamento / Leveling feet / Nivellierfüße

On request vulcanized rubber can be provided  
white or blue and spindle can be made in AISI 316.

**Materiale / Material / Materialien:**

Base, stelo, rondella e boccola: Acciaio inox  
Base plate, spindle, washer and cover: Stainless steel  
Fussplatte, Spindel, Scheibe und Hülse: Edelstahl

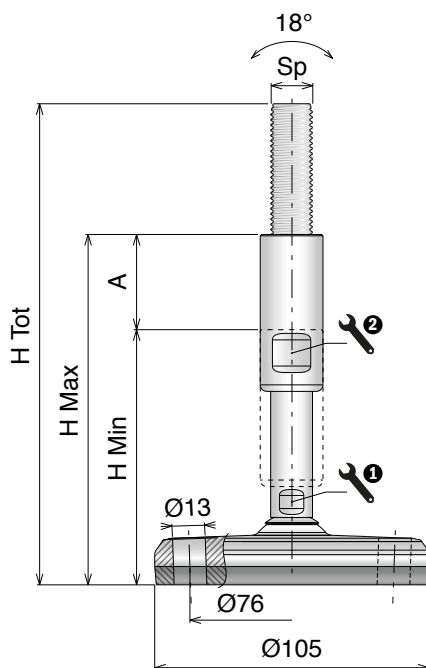


## Ø80

DIAMETER (mm)



Art-Nr.	Sp	H Tot (mm)	H Min (mm)	H Max (mm)	A (mm)	1 (mm)	2 (mm)	Load (N)
<b>902627</b>	M12	183,5	103,5	148,5	45	10	17	12.000
<b>902628</b>		233,5	133,5	198,5	65	10	17	
<b>902629</b>	M16	183,5	103,5	148,5	45	13	19	30.000
<b>902630</b>		233,5	133,5	198,5	65	13	19	
<b>902631</b>	M20	183,5	103,5	148,5	45	17	24	45.000
<b>902632</b>		233,5	133,5	198,5	65	17	24	
<b>902633</b>	M24	183,5	103,5	148,5	45	19	30	80.000
<b>902634</b>		233,5	133,5	198,5	65	19	30	
<b>902635</b>	M30	183,5	103,5	148,5	45	24	36	80.000
<b>902636</b>		233,5	133,5	198,5	65	24	36	
<b>902637</b>		293,5	193,5	258,5	65	24	36	
<b>902638</b>	M36	183,5	103,5	148,5	45	30	42	80.000
<b>902639</b>		233,5	133,5	198,5	65	30	42	
<b>902640</b>		293,5	193,5	258,5	65	30	42	



## Ø105

DIAMETER (mm)



Art-Nr.	Sp	H Tot (mm)	H Min (mm)	H Max (mm)	A (mm)	1 (mm)	2 (mm)	Load (N)
<b>902641</b>	M12	184,5	104,5	149,5	45	10	17	12.000
<b>902642</b>		234,5	134,5	199,5	65	10	17	
<b>902643</b>	M16	184,5	104,5	149,5	45	13	19	30.000
<b>902644</b>		234,5	134,5	199,5	65	13	19	
<b>902645</b>	M20	184,5	104,5	149,5	45	17	24	45.000
<b>902646</b>		234,5	134,5	199,5	65	17	24	
<b>902647</b>	M24	184,5	104,5	149,5	45	19	30	70.000
<b>902648</b>		234,5	134,5	199,5	65	19	30	
<b>902649</b>	M30	184,5	104,5	149,5	45	24	36	100.000
<b>902650</b>		234,5	134,5	199,5	65	24	36	
<b>902651</b>		294,5	194,5	259,5	65	24	36	
<b>902652</b>	M36	184,5	104,5	149,5	45	30	42	120.000
<b>902653</b>		234,5	134,5	199,5	65	30	42	
<b>902654</b>		294,5	194,5	259,5	65	30	42	



Core product range of Easy Clean  
Levelling Feet can be found **here**.

**Materiale / Material / Materialien:**

Base, stelo, rondella e boccia: Acciaio inox  
 Base plate, spindle, washer and cover: Stainless steel  
 Fussplatte, Spindel, Scheibe und Hülse: Edelstahl

On request vulcanized rubber can be provided  
 white or blue and spindle can be made in AISI 316.

# S400B HEAVY

Piedi di livellamento / Leveling feet / Nivellierfüße

## Ø125

DIAMETER (mm)



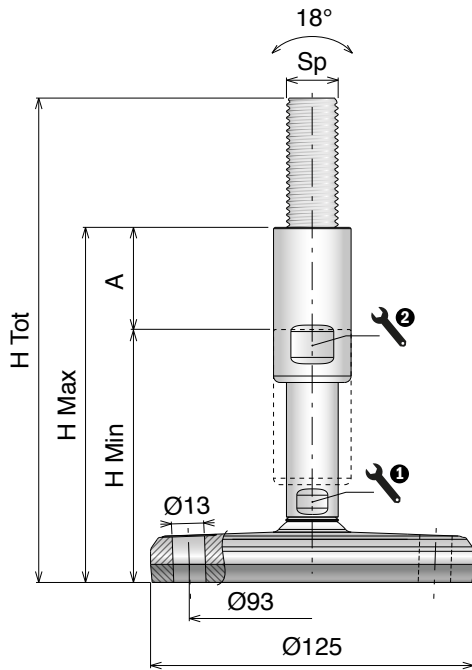
HIGH LOAD



FIXING POINT



ANTI-SLIP



Art-Nr.	Sp	H Tot (mm)	H Min (mm)	H Max (mm)	A (mm)	1 (mm)	2 (mm)	Load (N)
<b>902655</b>	M12	184,5	104,5	149,5	45	10	17	12.000
<b>902656</b>		234,5	134,5	199,5	65	10	17	
<b>902657</b>	M16	184,5	104,5	149,5	45	13	19	30.000
<b>902658</b>		234,5	134,5	199,5	65	13	19	
<b>902659</b>	M20	184,5	104,5	149,5	45	17	24	45.000
<b>902660</b>		234,5	134,5	199,5	65	17	24	
<b>902661</b>	M24	184,5	104,5	149,5	45	19	30	70.000
<b>902662</b>		234,5	134,5	199,5	65	19	30	
<b>902663</b>	M30	184,5	104,5	149,5	45	24	36	100.000
<b>902664</b>		234,5	134,5	199,5	65	24	36	
<b>902665</b>		294,5	194,5	259,5	65	24	36	
<b>902666</b>	M36	184,5	104,5	149,5	45	30	42	130.000
<b>902667</b>		234,5	134,5	199,5	65	30	42	
<b>902668</b>		294,5	194,5	259,5	65	30	42	

## Ø150

DIAMETER (mm)



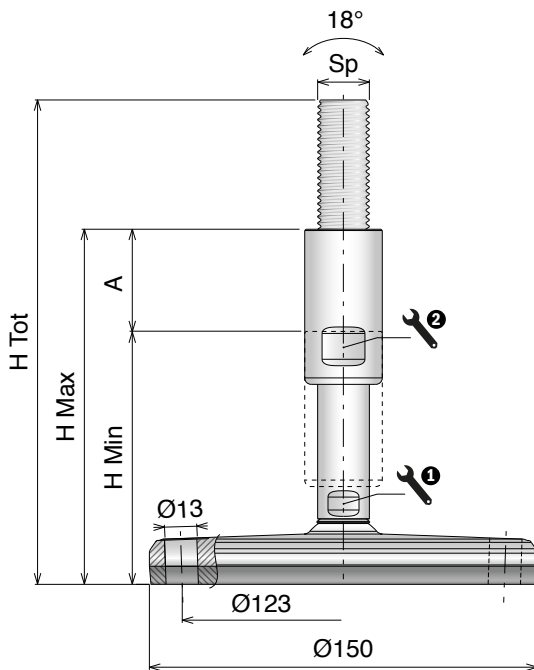
HIGH LOAD



FIXING POINT



ANTI-SLIP



Art-Nr.	Sp	H Tot (mm)	H Min (mm)	H Max (mm)	A (mm)	1 (mm)	2 (mm)	Load (N)
<b>902669</b>	M12	184,5	104,5	149,5	45	10	17	12.000
<b>902670</b>		234,5	134,5	199,5	65	10	17	
<b>902671</b>	M16	184,5	104,5	149,5	45	13	19	30.000
<b>902672</b>		234,5	134,5	199,5	65	13	19	
<b>902673</b>	M20	184,5	104,5	149,5	45	17	24	45.000
<b>902674</b>		234,5	134,5	199,5	65	17	24	
<b>902675</b>	M24	184,5	104,5	149,5	45	19	30	70.000
<b>902676</b>		234,5	134,5	199,5	65	19	30	
<b>902677</b>	M30	184,5	104,5	149,5	45	24	36	100.000
<b>902678</b>		234,5	134,5	199,5	65	24	36	
<b>902679</b>		294,5	194,5	259,5	65	24	36	
<b>902680</b>	M36	184,5	104,5	149,5	45	30	42	150.000
<b>902681</b>		234,5	134,5	199,5	65	30	42	
<b>902682</b>		294,5	194,5	259,5	65	30	42	



Core product range of Easy Clean  
 Levelling Feet can be found **here**.

**Movex**

Oadby Core product range

Available from stock in Leicester

Easy Available from stock in Italy

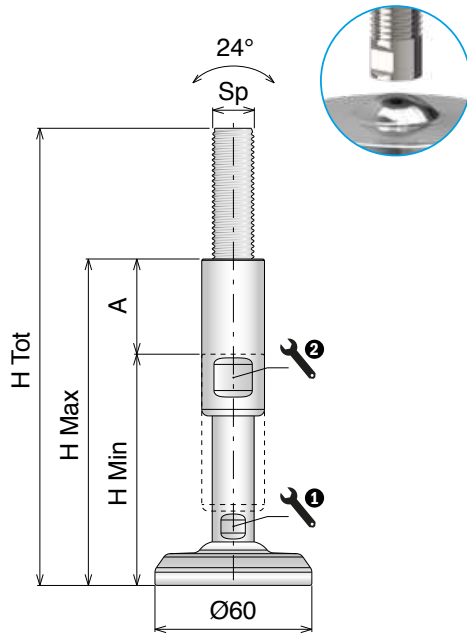
Standard Produced to order in Italy

# S400B HEAVY-SPLIT

Piedi di livellamento / Leveling feet / Nivellierfüße

On request vulcanized rubber can be provided  
white or blue and spindle can be made in AISI 316.

**Materiale / Material / Materialien:**  
Base, stelo e boccola: Acciaio inox  
Base plate, spindle and cover: Stainless steel  
Fussplatte, Spindel und Hülse: Edelstahl



## Ø 60

DIAMETER (mm)

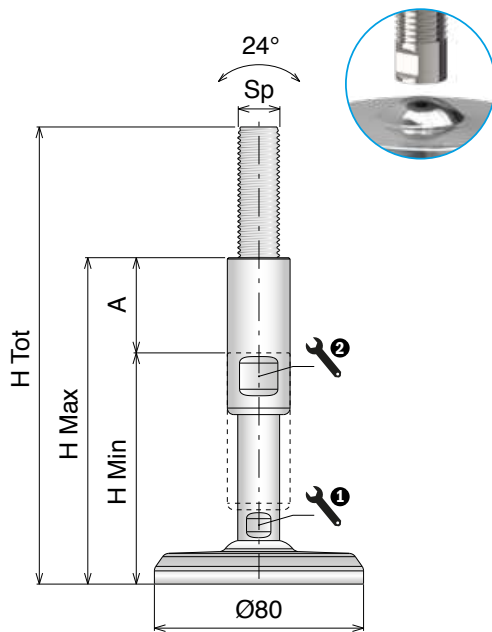


HIGH LOAD



SLIT VERSION

Art-Nr.	Sp	H Tot (mm)	H Min (mm)	H Max (mm)	A (mm)	1 (mm)	2 (mm)	Load (N)
<b>902683</b>	M12	176,5	96,5	141,5	45	10	17	12.000
<b>902684</b>		226,5	126,5	191,5	65	10	17	
<b>902685</b>	M16	176,5	96,5	141,5	45	13	19	30.000
<b>902686</b>		226,5	126,5	191,5	65	13	19	
<b>902687</b>	M20	176,5	96,5	141,5	45	17	24	45.000
<b>902688</b>		226,5	126,5	191,5	65	17	24	
<b>902689</b>	M24	176,5	96,5	141,5	45	19	30	60.000
<b>902690</b>		226,5	126,5	191,5	65	19	30	
<b>902691</b>	M30	176,5	96,5	141,5	45	24	36	60.000
<b>902692</b>		226,5	126,5	191,5	65	24	36	
<b>902693</b>		286,5	186,5	251,5	65	24	36	
<b>902694</b>	M36	176,5	96,5	141,5	45	30	42	60.000
<b>902695</b>		226,5	126,5	191,5	65	30	42	
<b>902696</b>		286,5	186,5	251,5	65	30	42	



## Ø 80

DIAMETER (mm)



HIGH LOAD



SLIT VERSION

Art-Nr.	Sp	H Tot (mm)	H Min (mm)	H Max (mm)	A (mm)	1 (mm)	2 (mm)	Load (N)
<b>902697</b>	M12	176,5	97,5	142,5	45	10	17	12.000
<b>902698</b>		226,5	127,5	192,5	65	10	17	
<b>902699</b>	M16	176,5	96,5	141,5	45	13	19	30.000
<b>902700</b>		226,5	126,5	191,5	65	13	19	
<b>902701</b>	M20	176,5	96,5	141,5	45	17	24	45.000
<b>902702</b>		226,5	126,5	191,5	65	17	24	
<b>902703</b>	M24	176,5	96,5	141,5	45	19	30	70.000
<b>902704</b>		226,5	126,5	191,5	65	19	30	
<b>902705</b>	M30	176,5	96,5	141,5	45	24	36	80.000
<b>902706</b>		226,5	126,5	191,5	65	24	36	
<b>902707</b>		286,5	186,5	251,5	65	24	36	
<b>902708</b>	M36	176,5	96,5	141,5	45	30	42	80.000
<b>902709</b>		226,5	126,5	191,5	65	30	42	
<b>902710</b>		286,5	186,5	251,5	65	30	42	



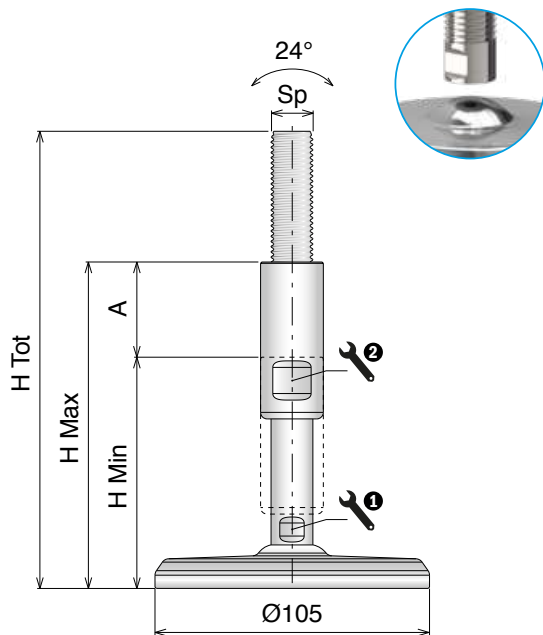
Core product range of Easy Clean  
Levelling Feet can be found **here**.

**Materiale / Material / Materialien:**  
 Base, stelo e boccola: Acciaio inox  
 Base plate, spindle and cover: Stainless steel  
 Fussplatte, Spindel und Hülse: Edelstahl

On request vulcanized rubber can be provided  
 white or blue and spindle can be made in AISI 316.

# S400B HEAVY-SPLIT

Piedi di livellamento / Leveling feet / Nivellierfüße

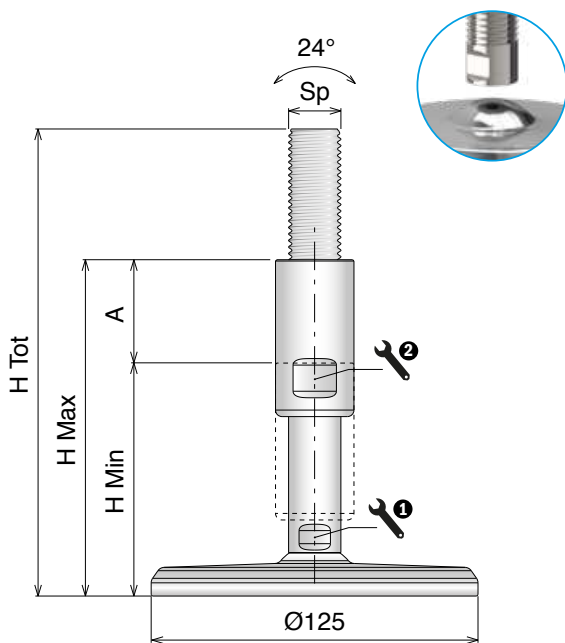


**Ø105**  
 DIAMETER (mm)

**Kg**  
 HIGH LOAD

**SLIT VERSION**

Art-Nr.	Sp	H Tot (mm)	H Min (mm)	H Max (mm)	A (mm)	1 (mm)	2 (mm)	Load (N)
<b>902711</b>	M12	176,5	96,5	141,5	45	10	17	12.000
<b>902712</b>		226,5	126,5	191,5	65	10	17	
<b>902713</b>	M16	176,5	96,5	141,5	45	13	19	30.000
<b>902714</b>		226,5	126,5	191,5	65	13	19	
<b>902715</b>	M20	176,5	96,5	141,5	45	17	24	45.000
<b>902716</b>		226,5	126,5	191,5	65	17	24	
<b>902717</b>	M24	176,5	96,5	141,5	45	19	30	70.000
<b>902718</b>		226,5	126,5	191,5	65	19	30	
<b>902719</b>	M30	176,5	96,5	141,5	45	24	36	100.000
<b>902720</b>		226,5	126,5	191,5	65	24	36	
<b>902721</b>		286,5	186,5	251,5	65	24	36	
<b>902722</b>	M36	176,5	96,5	141,5	45	30	42	120.000
<b>902723</b>		226,5	126,5	191,5	65	30	42	
<b>902724</b>		286,5	186,5	251,5	65	30	42	



**Ø125**  
 DIAMETER (mm)

**Kg**  
 HIGH LOAD

**SLIT VERSION**

Art-Nr.	Sp	H Tot (mm)	H Min (mm)	H Max (mm)	A (mm)	1 (mm)	2 (mm)	Load (N)
<b>902725</b>	M12	176,5	96,5	141,5	45	10	17	12.000
<b>902726</b>		226,5	126,5	191,5	65	10	17	
<b>902727</b>	M16	176,5	96,5	141,5	45	13	19	30.000
<b>902728</b>		226,5	126,5	191,5	65	13	19	
<b>902729</b>	M20	176,5	96,5	141,5	45	17	24	45.000
<b>902730</b>		226,5	126,5	191,5	65	17	24	
<b>902731</b>	M24	176,5	96,5	141,5	45	19	30	70.000
<b>902732</b>		226,5	126,5	191,5	65	19	30	
<b>902733</b>	M30	176,5	96,5	141,5	45	24	36	100.000
<b>902734</b>		226,5	126,5	191,5	65	24	36	
<b>902735</b>		286,5	186,5	251,5	65	24	36	
<b>902736</b>	M36	176,5	96,5	141,5	45	30	42	130.000
<b>902737</b>		226,5	126,5	191,5	65	30	42	
<b>902738</b>		286,5	186,5	251,5	65	30	42	



Core product range of Easy Clean  
 Levelling Feet can be found **here**.

**Movex**

Oadby Core product range

Available from stock in Leicester

Easy Available from stock in Italy

Standard Produced to order in Italy

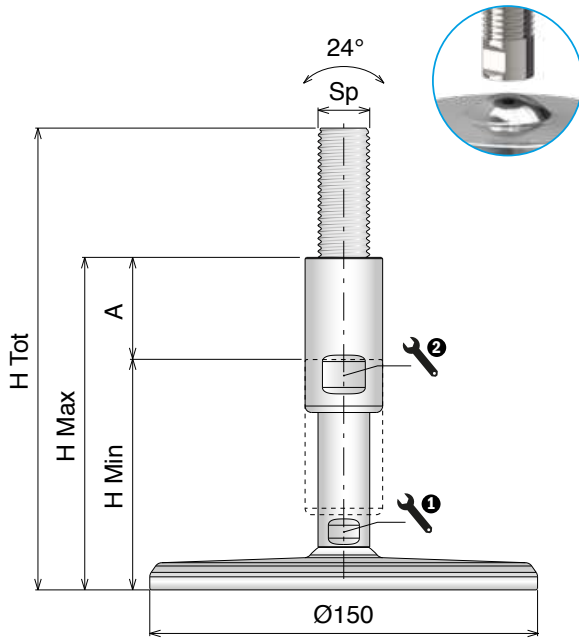


# S400B HEAVY-SPLIT

Piedi di livellamento / Leveling feet / Nivellierfüße

On request vulcanized rubber can be provided  
white or blue and spindle can be made in AISI 316.

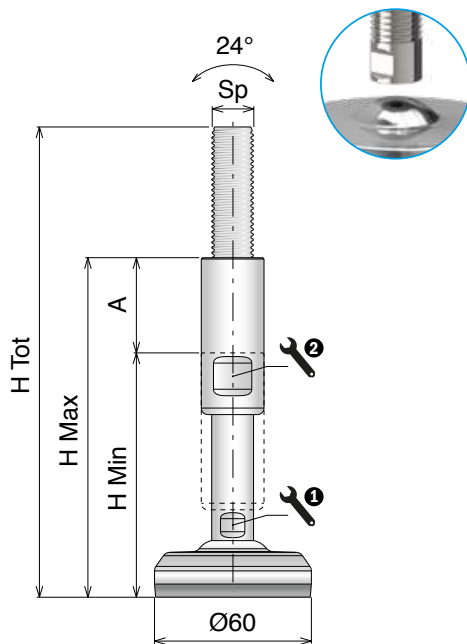
**Materiale / Material / Materialien:**  
Base, stelo e boccola: Acciaio inox  
Base plate, spindle and cover: Stainless steel  
Fussplatte, Spindel und Hülse: Edelstahl



Ø150  
DIAMETER (mm)

Kg  
HIGH LOAD SLIT VERSION

Art-Nr.	Sp	H Tot (mm)	H Min (mm)	H Max (mm)	A (mm)	1 (mm)	2 (mm)	Load (N)
902739	M12	176,5	96,5	141,5	45	10	17	12.000
902740		226,5	126,5	191,5	65	10	17	
902741	M16	176,5	96,5	141,5	45	13	19	30.000
902742		226,5	126,5	191,5	65	13	19	
902743	M20	176,5	96,5	141,5	45	17	24	45.000
902744		226,5	126,5	191,5	65	17	24	
902745	M24	176,5	96,5	141,5	45	19	30	70.000
902746		226,5	126,5	191,5	65	19	30	
902747	M30	176,5	96,5	141,5	45	24	36	100.000
902748		226,5	126,5	191,5	65	24	36	
902749		286,5	186,5	251,5	65	24	36	
902750	M36	176,5	96,5	141,5	45	30	42	150.000
902751		226,5	126,5	191,5	65	30	42	
902752		286,5	186,5	251,5	65	30	42	



Ø60  
DIAMETER (mm)

Kg  
HIGH LOAD SLIT VERSION ANTI-SLIP

Art-Nr.	Sp	H Tot (mm)	H Min (mm)	H Max (mm)	A (mm)	1 (mm)	2 (mm)	Load (N)
902753	M12	181,5	101,5	146,5	45	10	17	12.000
902754		231,5	131,5	196,5	65	10	17	
902755	M16	181,5	101,5	146,5	45	13	19	30.000
902756		231,5	131,5	196,5	65	13	19	
902757	M20	181,5	101,5	146,5	45	17	24	45.000
902758		231,5	131,5	196,5	65	17	24	
902759	M24	181,5	101,5	146,5	45	19	30	60.000
902760		231,5	131,5	196,5	65	19	30	
902761	M30	181,5	101,5	146,5	45	24	36	60.000
902762		231,5	131,5	196,5	65	24	36	
902763		291,5	191,5	256,5	65	24	36	
902764	M36	181,5	101,5	146,5	45	30	42	60.000
902765		231,5	131,5	196,5	65	30	42	
902766		291,5	191,5	256,5	65	30	42	



Core product range of Easy Clean  
Levelling Feet can be found **here**.

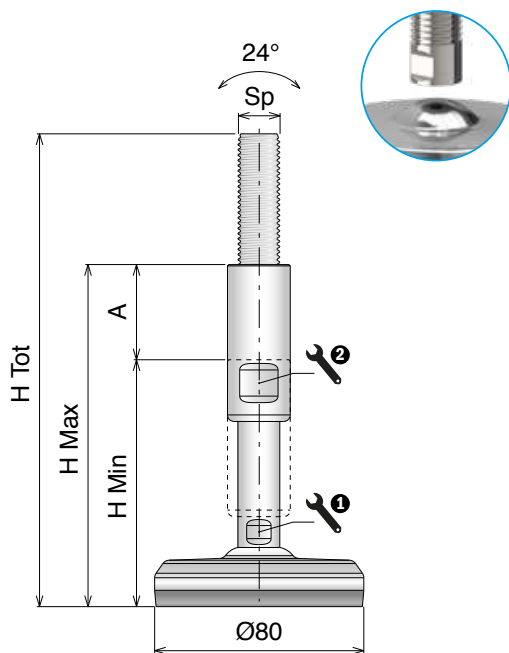


**Materiale / Material / Materialien:**  
 Base, stelo e boccola: Acciaio inox  
 Base plate, spindle and cover: Stainless steel  
 Fussplatte, Spindel und Hülse: Edelstahl

On request vulcanized rubber can be provided  
 white or blue and spindle can be made in AISI 316.

# S400B HEAVY-SPLIT

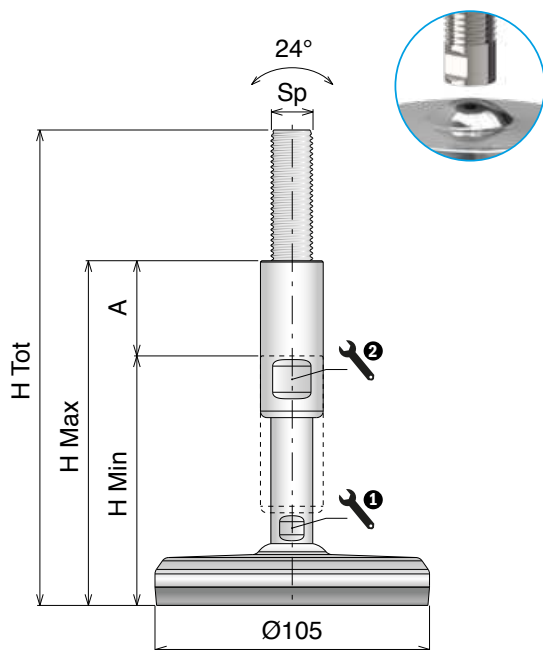
Piedi di livellamento / Leveling feet / Nivellierfüße



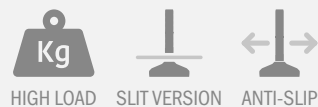
**Ø80**  
 DIAMETER (mm)



Art-Nr.	Sp	H Tot (mm)	H Min (mm)	H Max (mm)	A (mm)	1 (mm)	2 (mm)	Load (N)
<b>902767</b>	M12	182,5	102,5	147,5	45	10	17	12.000
<b>902768</b>		232,5	132,5	197,5	65	10	17	
<b>902769</b>	M16	182,5	102,5	147,5	45	13	19	30.000
<b>902770</b>		232,5	132,5	197,5	65	13	19	
<b>902771</b>	M20	182,5	102,5	147,5	45	17	24	45.000
<b>902772</b>		232,5	132,5	197,5	65	17	24	
<b>902773</b>	M24	182,5	102,5	147,5	45	19	30	70.000
<b>902774</b>		232,5	132,5	197,5	65	19	30	
<b>902775</b>	M30	182,5	102,5	147,5	45	24	36	80.000
<b>902776</b>		232,5	132,5	197,5	65	24	36	
<b>902777</b>		292,5	192,5	257,5	65	24	36	
<b>902778</b>	M36	182,5	102,5	147,5	45	30	42	80.000
<b>902779</b>		232,5	132,5	197,5	65	30	42	
<b>902780</b>		292,5	192,5	257,5	65	30	42	



**Ø105**  
 DIAMETER (mm)



Art-Nr.	Sp	H Tot (mm)	H Min (mm)	H Max (mm)	A (mm)	1 (mm)	2 (mm)	Load (N)
<b>902781</b>	M12	183,5	103,5	148,5	45	10	17	12.000
<b>902782</b>		233,5	133,5	198,5	65	10	17	
<b>902783</b>	M16	183,5	103,5	148,5	45	13	19	30.000
<b>902784</b>		233,5	133,5	198,5	65	13	19	
<b>902785</b>	M20	183,5	103,5	148,5	45	17	24	45.000
<b>902786</b>		233,5	133,5	198,5	65	17	24	
<b>902787</b>	M24	183,5	103,5	148,5	45	19	30	70.000
<b>902788</b>		233,5	133,5	198,5	65	19	30	
<b>902789</b>	M30	183,5	103,5	148,5	45	24	36	100.000
<b>902790</b>		233,5	133,5	198,5	65	24	36	
<b>902791</b>		293,5	193,5	258,5	65	24	36	
<b>902792</b>	M36	183,5	103,5	148,5	45	30	42	120.000
<b>902793</b>		233,5	133,5	198,5	65	30	42	
<b>902794</b>		293,5	193,5	258,5	65	30	42	



Core product range of Easy Clean  
 Levelling Feet can be found [here](#).

**Movex**

Oadby Core product range

Available from stock in Leicester

Easy Available from stock in Italy

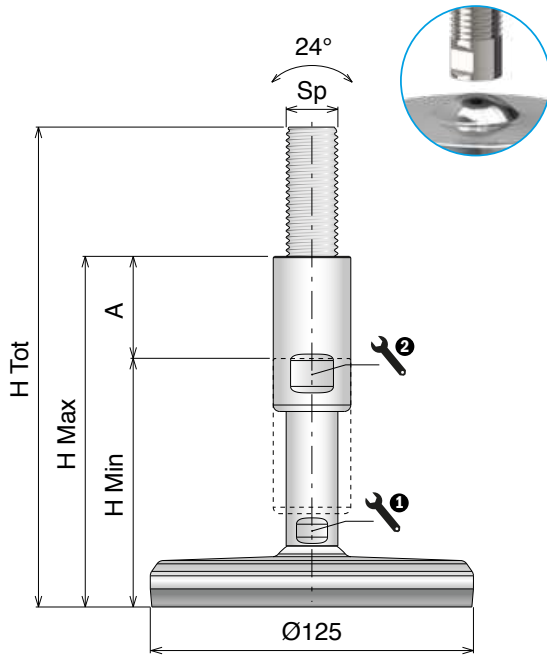
Standard Produced to order in Italy

# S400B HEAVY-SPLIT

Piedi di livellamento / Leveling feet / Nivellierfüße

On request vulcanized rubber can be provided  
white or blue and spindle can be made in AISI 316.

**Materiale / Material / Materialien:**  
Base, stelo e boccola: Acciaio inox  
Base plate, spindle and cover: Stainless steel  
Fussplatte, Spindel und Hülse: Edelstahl



Ø125  
DIAMETER (mm)



HIGH LOAD

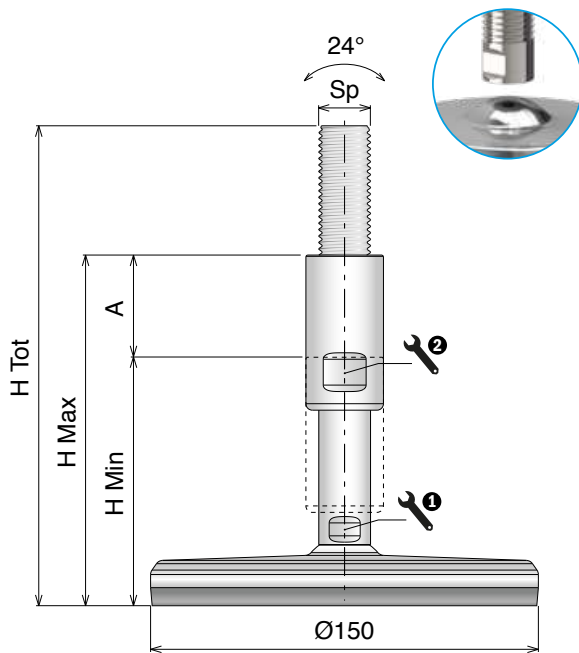


SLIT VERSION



ANTI-SLIP

Art-Nr.	Sp	H Tot (mm)	H Min (mm)	H Max (mm)	A (mm)	1 (mm)	2 (mm)	Load (N)
902795	M12	183,5	103,5	148,5	45	10	17	12.000
902796		233,5	133,5	198,5	65	10	17	
902797	M16	183,5	103,5	148,5	45	13	19	30.000
902798		233,5	133,5	198,5	65	13	19	
902799	M20	233,5	103,5	148,5	45	17	24	45.000
902800		234,5	133,5	198,5	65	17	24	
902801	M24	183,5	103,5	148,5	45	19	30	70.000
902802		233,5	133,5	198,5	65	19	30	
902803	M30	183,5	103,5	148,5	45	24	36	100.000
902804		233,5	133,5	198,5	65	24	36	
902805		293,5	193,5	258,5	65	24	36	
902806	M36	183,5	103,5	148,5	45	30	42	130.000
902807		233,5	133,5	198,5	65	30	42	
902808		293,5	193,5	258,5	65	30	42	



Ø150  
DIAMETER (mm)



HIGH LOAD



SLIT VERSION



ANTI-SLIP

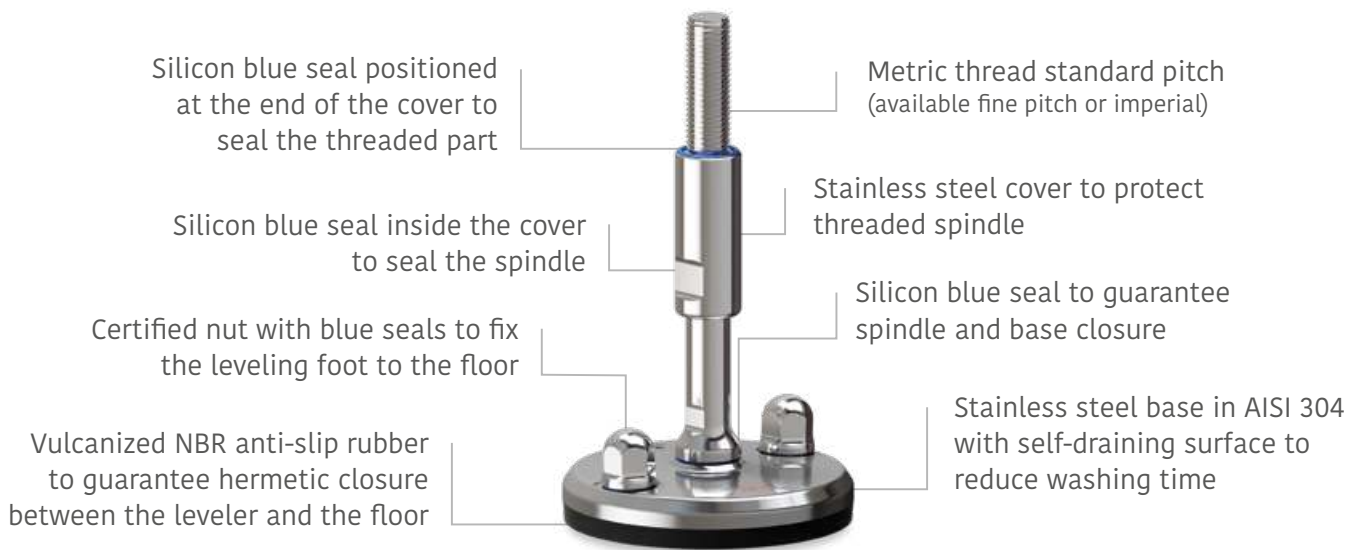
Art-Nr.	Sp	H Tot (mm)	H Min (mm)	H Max (mm)	A (mm)	1 (mm)	2 (mm)	Load (N)
902809	M12	183,5	103,5	148,5	45	10	17	12.000
902810		233,5	133,5	198,5	65	10	17	
902811	M16	183,5	103,5	148,5	45	13	19	30.000
902812		233,5	133,5	198,5	65	13	19	
902813	M20	183,5	103,5	148,5	45	17	24	45.000
902814		233,5	133,5	198,5	65	17	24	
902815	M24	183,5	103,5	148,5	45	19	30	70.000
902816		233,5	133,5	198,5	65	19	30	
902817	M30	183,5	103,5	148,5	45	24	36	100.000
902818		233,5	133,5	198,5	65	24	36	
902819		293,5	193,5	258,5	65	24	36	
902820	M36	183,5	103,5	148,5	45	30	42	150.000
902821		233,5	133,5	198,5	65	30	42	
902822		293,5	193,5	258,5	65	30	42	



Core product range of Easy Clean  
Levelling Feet can be found [here](#).

## NEW C500 Series

HYGIENIC AND CERTIFIED  
STAINLESS STEEL LEVELERS



The **C500 series** is the best choice for industrial environments with critical hygienic level, like dairy, food, chemical and pharmaceutical industries, subjected to daily washing cycles.

It offers a complete protection against bacterial proliferation and guarantees reduced washing cycle time as well as self-draining surfaces able to drain external elements easier than traditional systems.

The new **C500 series** with hygienic stainless steel follows actual regulations and is approved by 3A and EHEDG normative. Base, spindle and cover are produced exclusively in AISI 304, with surface finishing lower than 0,8  $\mu\text{m}$ , silicon blue seals are FDA approved and easily detectable by industrial scanner.



### HYGIENIC DESIGN

Completely sanitized and certified



### SAVING (Energy, water, detergents)

Fewer resources for sanitation



### SUPERIOR DURABILITY

Thanks to the threaded part's cover



### CLEANLINESS

Reduced washing cycle

## AVAILABLE RANGE

The **C500 series** is available as following versions:

### C500 Series

For standard applications, hygienic and certified.

### C500 Series SPLIT

For application with higher floor slope or where separate base and spindle is required.

### C500 Series HEAVY

For high load applications.

### C500 Series HEAVY-SPLIT

For high load applications where the separate base and spindle is required.

Every above version offers excellent hygienic performances.

## CERTIFICATIONS

The **C500 series** has 3A and EHEDG certifications, provided based on the selected type.

These certifications are released by no profit associations that protect consumers, guaranteeing products made according to the internal standards. This applies to all processes and components in contact directly or indirectly with every single food. Movex is committed to offer a high quality product in according to the most recent normative.



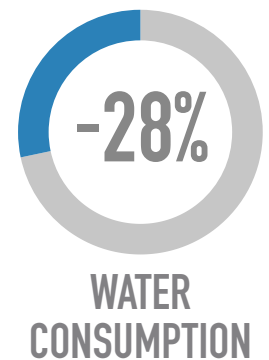
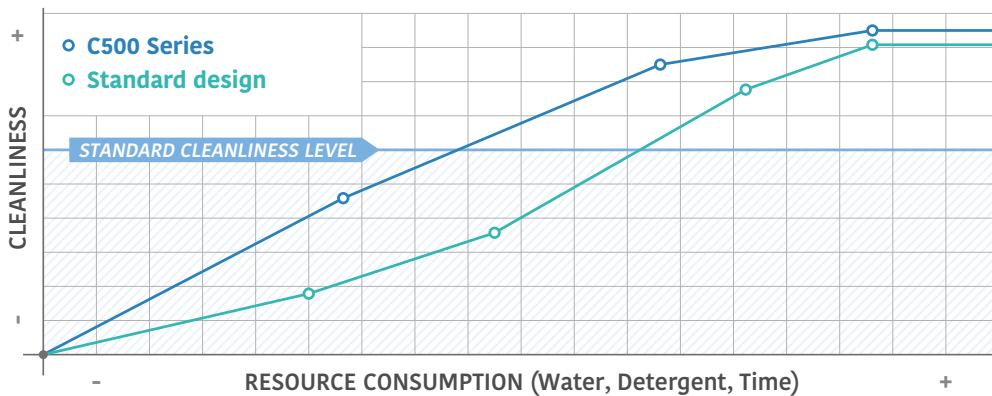
- Non-profit European consortium
- Regulations for food manufacturers, machine food manufactures and food raw material suppliers
- Research institutes and universities
  - Government health agencies
  - Approximately 45 guidelines



- Non-profit American association
- Regulations for food manufacturers, machine food manufactures and food raw material suppliers
  - Public and governmental health agencies
  - Over 70 guidelines

## WHY CHOOSE A CERTIFIED PRODUCT?

### Calculated saving



The stainless steel self-draining surfaces help the entire washing process, reducing time and resources consumption.

### UV ray analysis

The real difference between a conventional leveler and the hygienic and certified **C500 series** is invisible with human eyes.

If we compare two levelers that have been subjected to the same washing process, they will both look clean and sanitized; but analyzed with UV ray, we will see that the conventional solution is still contaminated by bacteria (see picture).



# C500 Series

## DECLARATION OF CONFORMITY

**C500, C500-HEAVY, C500-SPLIT, C500-HEAVY-SPLIT** series are certified 3A and EHEDG, following product details.

### FEATURES



#### Base, spindle and cover material:

- Stainless steel AISI 304 (1.4301) – available also in AISI 316 (1.4401) on request

#### Anti-slip rubber:

- NBR rubber, color black
- Hardness: 70-75 Shore-A
- Working temperature:  $-30^{\circ}\text{C} \div 110^{\circ}\text{C}$
- Compliant to REACH (CE 1907-2006)
- Compliant to ROHS&ROHS 2 (2002/95/EC)

#### Seals:

- Silicone rubber, color blue
- Hardness: 60 Shore-A
- Working temperature:  $-60^{\circ}\text{C} \div 200^{\circ}\text{C}$
- Compliant to FDA normative

#### Ref. Norms.



The **C500 series** and all its versions (**HEAVY**, **SPLIT** and **HEAVY-SPLIT**) are the ideal choice for all those environments where hygienic level is constantly monitored (dairy, food, chemical and pharmaceutical industries) subjected to daily washing cycles.

Self-draining surfaces with roughness lower than  $0,8 \mu\text{m}$  and the 3 seals (blue silicone detectable with food scanner) placed respectively inside the cover and between the spindle and the baseplate guarantee a hermetic closure, avoiding any external parts infiltration.

Following **3A** normative, levelers are properly installed when they provide a minimum clearance between the lowest part of the equipment and the floor of not less than 4.0 in. (102 mm) when the equipment base outlines an area in which no point is more than 12.5 in. (318 mm) from the nearest edge of the base, or a clearance of at least 6 in. (152 mm) when any point is more than 12.5 in. (318 mm) from the nearest edge.

Following **EHEDG** normative, recommended distance between floor and machined is at least 300 mm. Levelers with fixation need to be installed always with Movex certified nuts, on the contrary the company will not guarantee certifications requirements (follow installation manual – floor fixation, provided with every delivery).

Movex supplies all certified levelers with seals (unlosable); nevertheless, the end user should always check correct seals position before proceeding with the installation (follow installation manual, provided with every delivery).

**C500 levelers** have great resistance to the most common industrial detergents, following material specifications, compatible with producer specifications.

For a correct execution, please always follow provided manual (maintenance and cleaning manual, included in every delivery).

## NEW C500 Series

HYGIENIC AND CERTIFIED STAINLESS STEEL LEVELERS

Delivery: **Easy** **Standard**

### C500

#### Main features:

- Overmolded self-draining baseplate in AISI 304
- Spindle and cover in AISI 304
- Blue seals for hermetic closure
- Vulcanized anti-slip NBR rubber

#### Other versions available:

- Single floor fixation



### C500 SPLIT

#### Main features:

- Overmolded self-draining baseplate in AISI 304
- Spindle and cover in AISI 304
- Blue seals for hermetic closure
- Vulcanized anti-slip NBR rubber
- Separate spindle and baseplate



### C500 HEAVY

#### Main features:

- Full machined self-draining baseplate in AISI 304
- Spindle and cover in AISI 304
- Blue seals for hermetic closure
- Vulcanized anti-slip NBR rubber

#### Other versions available:

- Double floor fixation



### C500 HEAVY-SPLIT

#### Main features:

- Full machined self-draining baseplate in AISI 304
- Spindle and cover in AISI 304
- Blue seals for hermetic closure
- Vulcanized anti-slip NBR rubber
- Separate spindle and baseplate



The **C500 series**, with baseplate in AISI 304 stainless steel, threaded spindle with cover and hermetic seals is the best choice for industrial environments with critical hygienic level, like dairy, food, chemical and pharmaceutical industries, subjected to daily washing cycles.

The stainless steel baseplate and its particular shape guarantee an excellent cleanability, especially in critical conditions; the stainless steel cover offers 100% thread protection and avoids its exposure to external agents; the three seals (blue silicone detectable with food scanner) placed respectively inside the cover and between the spindle and the baseplate guarantee a hermetic closure, avoiding any external parts infiltration and the NBR rubber guarantees anti-slip properties and hermetic closure between the leveler and the floor.

Maximum compressive strength (static load) as in the table, maximum tensile strength (static load) 4.000 N (S400); 8.000 N (S400 HEAVY); NOT AVAILABLE (SPLIT and HEAVY-SPLIT).

The **C500 series** can also be combined with hygienic bolts, nuts and covers for perfect sanitation.

Accessori / Accessories / Zubehör

Find out more details on page 643/644



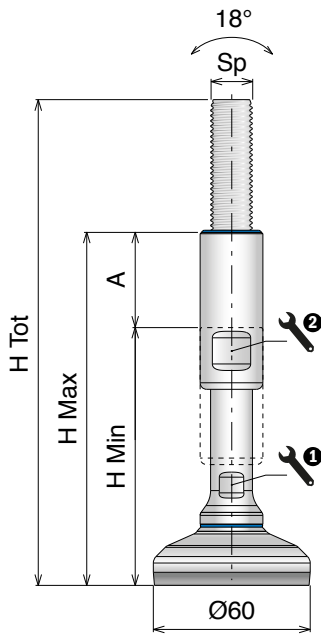
**Materiale / Material / Materialien:**

Base, stelo, rondella e boccia: Acciaio inox  
 Base plate, spindle, washer and cover: Stainless steel  
 Fussplatte, Spindel, Scheibe und Hülse: Edelstahl

On request vulcanized rubber can be provided  
 white or blue and spindle can be made in AISI 316.

# C500 Series

Piedi di livellamento / Leveling feet / Nivellierfüße

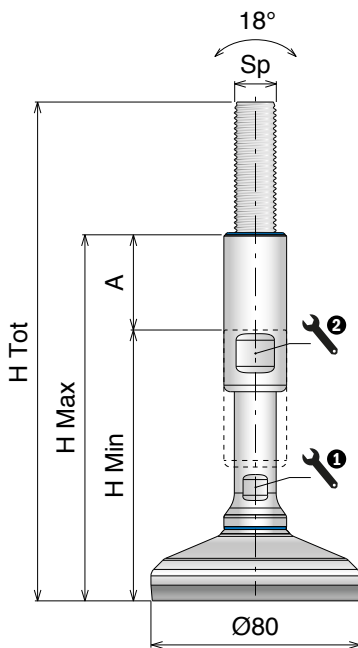


## Ø60

DIAMETER (mm)



Art-Nr.	Sp	H Tot (mm)	H Min (mm)	H Max (mm)	A (mm)	1 (mm)	2 (mm)	Load (N)
902823	M12	185	105	150	45	10	17	4.500
902824		235	135	200	65	10	17	
902825	M16	185	105	150	45	13	19	4.500
902826		235	135	200	65	13	19	
902827	M20	185	105	150	45	17	24	4.500
902828		235	135	200	65	17	24	
902829	M24	185	105	150	45	19	30	4.500
902830		235	135	200	65	19	30	
902831	M30	185	105	150	45	24	36	4.500
902832		235	135	200	65	24	36	
902833		295	195	260	65	24	36	
902834	M36	185	105	150	45	30	42	4.500
902835		235	135	200	65	30	42	
902836		295	195	260	65	30	42	



## Ø80

DIAMETER (mm)



Art-Nr.	Sp	H Tot (mm)	H Min (mm)	H Max (mm)	A (mm)	1 (mm)	2 (mm)	Load (N)
902837	M12	190	110	155	45	10	17	12.000
902838		240	140	205	65	10	17	
902839	M16	190	110	155	45	13	19	15.000
902840		240	140	205	65	13	19	
902841	M20	190	110	155	45	17	24	15.000
902842		240	140	205	65	17	24	
902843	M24	190	110	155	45	19	30	15.000
902844		240	140	205	65	19	30	
902845	M30	190	110	155	45	24	36	15.000
902846		240	140	205	65	24	36	
902847		300	200	265	65	24	36	
902848	M36	190	110	155	45	30	42	15.000
902849		240	140	205	65	30	42	
902850		300	200	265	65	30	42	



**CERTIFIED PRODUCTS**  
 ASK FOR CERTIFICATION:  
[certificate@movexii.com](mailto:certificate@movexii.com)

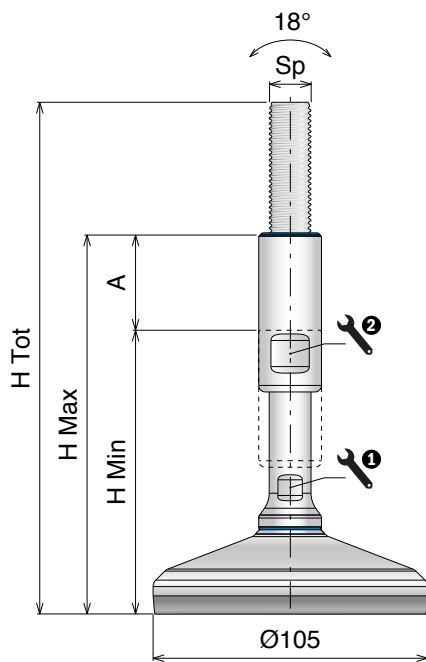
# C500 Series

Piedi di livellamento / Leveling feet / Nivellierfüße

On request vulcanized rubber can be provided  
white or blue and spindle can be made in AISI 316.

## Materiale / Material / Materialien:

Base, stelo, rondella e boccia: Acciaio inox  
Base plate, spindle, washer and cover: Stainless steel  
Fussplatte, Spindel, Scheibe und Hülse: Edelstahl

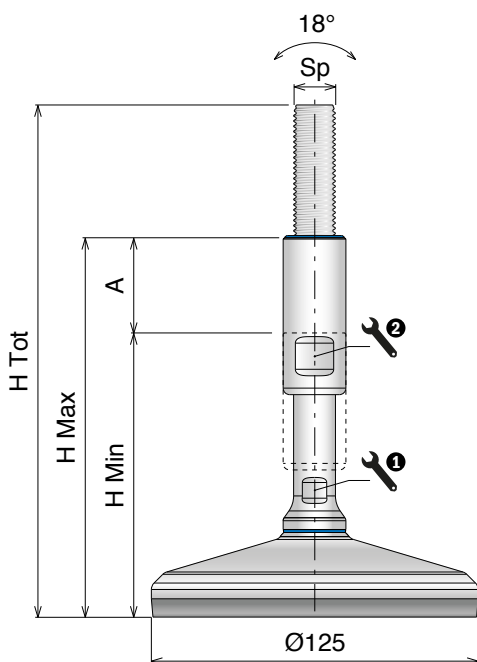


## Ø105

DIAMETER (mm)



Art-Nr.	Sp	H Tot (mm)	H Min (mm)	H Max (mm)	A (mm)	1 (mm)	2 (mm)	Load (N)
902851	M12	195	115	160	45	10	17	12.000
902852		245	145	210	65	10	17	
902853	M16	195	115	160	45	13	19	25.000
902854		245	145	210	65	13	19	
902855	M20	195	115	160	45	17	24	25.000
902856		245	145	210	65	17	24	
902857	M24	195	115	160	45	19	30	25.000
902858		245	145	210	65	19	30	
902859	M30	195	115	160	45	24	36	25.000
902860		245	145	210	65	24	36	
902861		305	205	270	65	24	36	
902862	M36	195	115	160	45	30	42	25.000
902863		245	145	210	65	30	42	
902864		305	205	270	65	30	42	



## Ø125

DIAMETER (mm)



Art-Nr.	Sp	H Tot (mm)	H Min (mm)	H Max (mm)	A (mm)	1 (mm)	2 (mm)	Load (N)
902865	M12	195	115	160	45	10	17	12.000
902866		245	145	210	65	10	17	
902867	M16	195	115	160	45	13	19	30.000
902868		245	145	210	65	13	19	
902869	M20	195	115	160	45	17	24	30.000
902870		245	145	210	65	17	24	
902871	M24	195	115	160	45	19	30	30.000
902872		245	145	210	65	19	30	
902873	M30	195	115	160	45	24	36	30.000
902874		245	145	210	65	24	36	
902875		305	205	270	65	24	36	
902876	M36	195	115	160	45	30	42	30.000
902877		245	145	210	65	30	42	
902878		305	205	270	65	30	42	



**CERTIFIED PRODUCTS**

ASK FOR CERTIFICATION:  
certificate@movexii.com



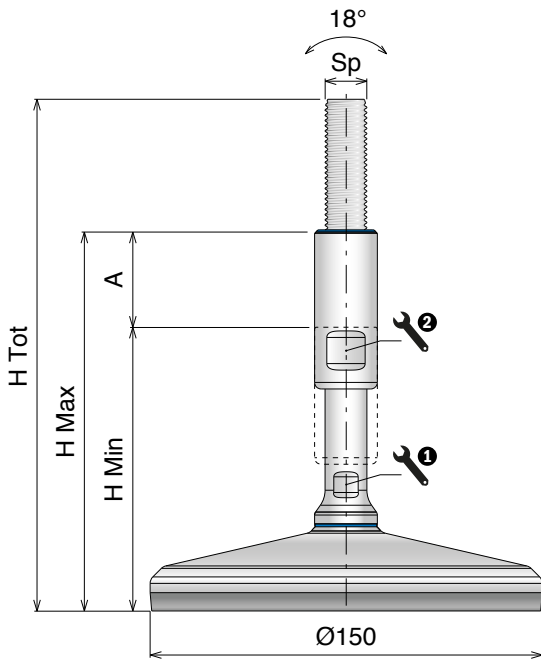
**Materiale / Material / Materialien:**

Base, stelo, rondella e boccia: Acciaio inox  
 Base plate, spindle, washer and cover: Stainless steel  
 Fussplatte, Spindel, Scheibe und Hülse: Edelstahl

On request vulcanized rubber can be provided  
 white or blue and spindle can be made in AISI 316.

# C500 Series

Piedi di livellamento / Leveling feet / Nivellierfüße

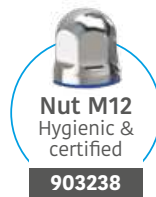
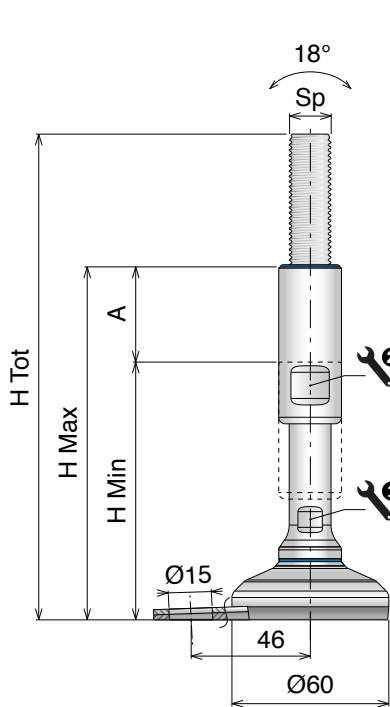


## Ø 150

DIAMETER (mm)

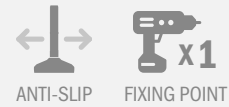


Art-Nr.	Sp	H Tot (mm)	H Min (mm)	H Max (mm)	A (mm)	1 (mm)	2 (mm)	Load (N)
902879	M12	195	115	160	45	10	17	12.000
902880		245	145	210	65	10	17	
902881	M16	195	115	160	45	13	19	30.000
902882		245	145	210	65	13	19	
902883	M20	195	115	160	45	17	24	45.000
902884		245	145	210	65	17	24	
902885	M24	195	115	160	45	19	30	45.000
902886		245	145	210	65	19	30	
902887	M30	195	115	160	45	24	36	45.000
902888		245	145	210	65	24	36	
902889		305	205	270	65	24	36	
902890	M36	195	115	160	45	30	42	45.000
902891		245	145	210	65	30	42	
902892		305	205	270	65	30	42	



## Ø 60

DIAMETER (mm)



Art-Nr.	Sp	H Tot (mm)	H Min (mm)	H Max (mm)	A (mm)	1 (mm)	2 (mm)	Load (N)
902893	M12	185	105	150	45	10	17	4.500
902894		235	135	200	65	10	17	
902895	M16	185	105	150	45	13	19	4.500
902896		235	135	200	65	13	19	
902897	M20	185	105	150	45	17	24	4.500
902898		235	135	200	65	17	24	
902899	M24	185	105	150	45	19	30	4.500
902900		235	135	200	65	19	30	
902901	M30	185	105	150	45	24	36	4.500
902902		235	135	200	65	24	36	
902903		295	195	260	65	24	36	
902904	M36	185	105	150	45	30	42	4.500
902905		235	135	200	65	30	42	
902906		295	195	260	65	30	42	



**CERTIFIED PRODUCTS**  
 ASK FOR CERTIFICATION:  
[certificate@movexii.com](mailto:certificate@movexii.com)

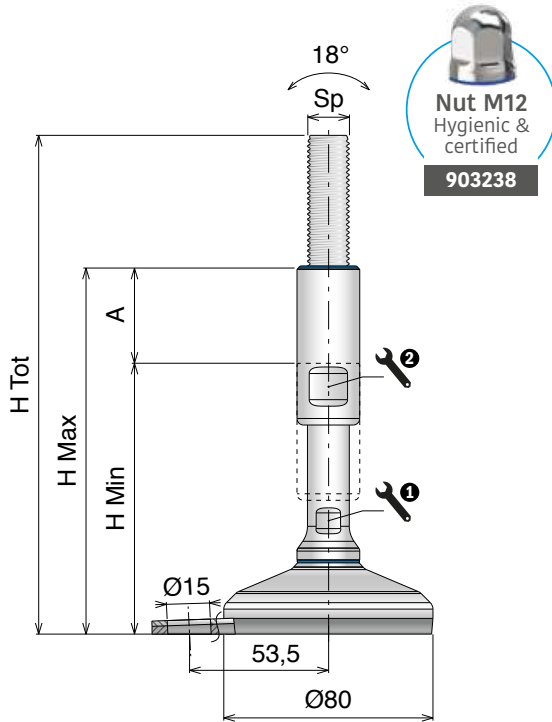
# C500 Series

Piedi di livellamento / Leveling feet / Nivellierfüße

On request vulcanized rubber can be provided  
white or blue and spindle can be made in AISI 316.

## Materiale / Material / Materialien:

Base, stelo, rondella e boccola: Acciaio inox  
Base plate, spindle, washer and cover: Stainless steel  
Fussplatte, Spindel, Scheibe und Hülse: Edelstahl



## Ø80

DIAMETER (mm)

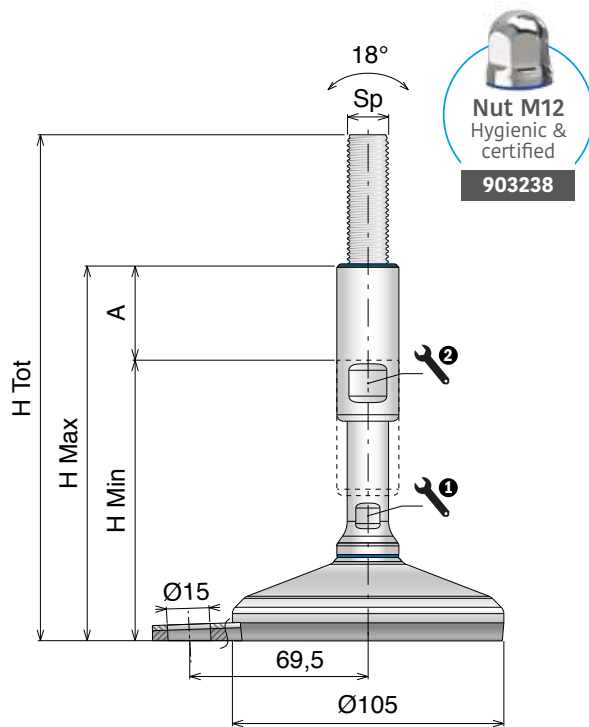


ANTI-SLIP



FIXING POINT

Art-Nr.	Sp	H Tot (mm)	H Min (mm)	H Max (mm)	A (mm)	1 (mm)	2 (mm)	Load (N)
902907	M12	190	110	155	45	10	17	12.000
902908		240	140	205	65	10	17	
902909	M16	190	110	155	45	13	19	15.000
902910		240	140	205	65	13	19	
902911	M20	190	110	155	45	17	24	15.000
902912		240	140	205	65	17	24	
902913	M24	190	110	155	45	19	30	15.000
902914		240	140	205	65	19	30	
902915	M30	190	110	155	45	24	36	15.000
902916		240	140	205	65	24	36	
902917		300	200	265	65	24	36	
902918	M36	190	110	155	45	30	42	15.000
902919		240	140	205	65	30	42	
902920		300	200	265	65	30	42	



## Ø105

DIAMETER (mm)



ANTI-SLIP



FIXING POINT

Art-Nr.	Sp	H Tot (mm)	H Min (mm)	H Max (mm)	A (mm)	1 (mm)	2 (mm)	Load (N)
902921	M12	195	115	160	45	10	17	12.000
902922		245	145	210	65	10	17	
902923	M16	195	115	160	45	13	19	25.000
902924		245	145	210	65	13	19	
902925	M20	195	115	160	45	17	24	25.000
902926		245	145	210	65	17	24	
902927	M24	195	115	160	45	19	30	25.000
902928		245	145	210	65	19	30	
902929	M30	195	115	160	45	24	36	25.000
902930		245	145	210	65	24	36	
902931		305	205	270	65	24	36	
902932	M36	195	115	160	45	30	42	25.000
902933		245	145	210	65	30	42	
902934		305	205	270	65	30	42	



**CERTIFIED PRODUCTS**

ASK FOR CERTIFICATION:  
certificate@movexii.com

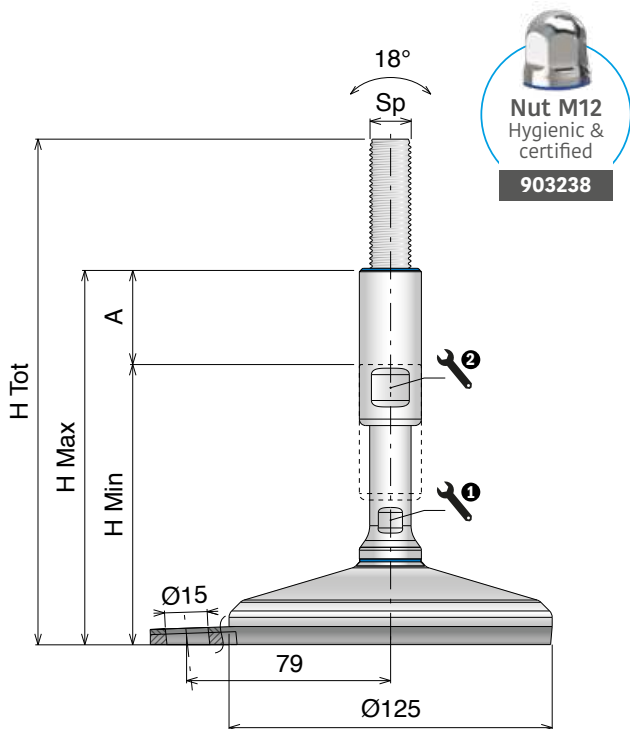
**Materiale / Material / Materialien:**

Base, stelo, rondella e boccia: Acciaio inox  
 Base plate, spindle, washer and cover: Stainless steel  
 Fussplatte, Spindel, Scheibe und Hülse: Edelstahl

On request vulcanized rubber can be provided  
 white or blue and spindle can be made in AISI 316.

# C500 Series

Piedi di livellamento / Leveling feet / Nivellierfüße



**Ø125**  
 DIAMETER (mm)



Art-Nr.	Sp	H Tot (mm)	H Min (mm)	H Max (mm)	A (mm)	1 (mm)	2 (mm)	Load (N)
902935	M12	195	115	160	45	10	17	12.000
902936		245	145	210	65	10	17	
902937	M16	195	115	160	45	13	19	30.000
902938		245	145	210	65	13	19	
902939	M20	195	115	160	45	17	24	30.000
902940		245	145	210	65	17	24	
902941	M24	195	115	160	45	19	30	30.000
902942		245	145	210	65	19	30	
902943	M30	195	115	160	45	24	36	30.000
902944		245	145	210	65	24	36	
902945		305	205	270	65	24	36	
902946	M36	195	115	160	45	30	42	30.000
902947		245	145	210	65	30	42	
902948		305	205	270	65	30	42	



**CERTIFIED PRODUCTS**  
 ASK FOR CERTIFICATION:  
[certificate@movexii.com](mailto:certificate@movexii.com)

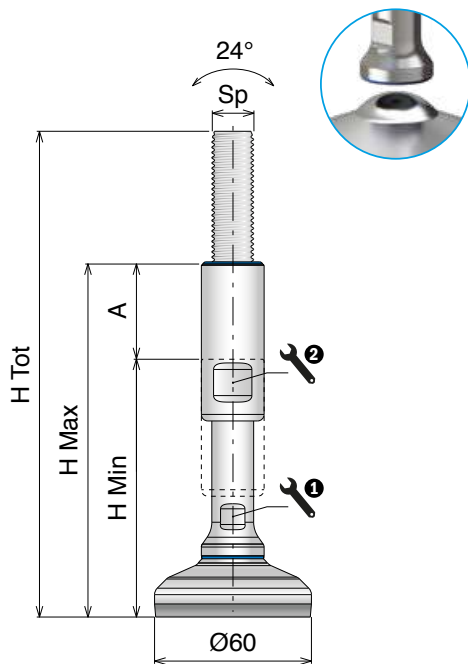
# C500 SPLIT

Piedi di livellamento / Leveling feet / Nivellierfüße

On request vulcanized rubber can be provided  
white or blue and spindle can be made in AISI 316.

**Materiale / Material / Materialien:**

Base, stelo e boccia: Acciaio inox  
Base plate, spindle and cover: Stainless steel  
Fussplatte, Spindel und Hülse: Edelstahl



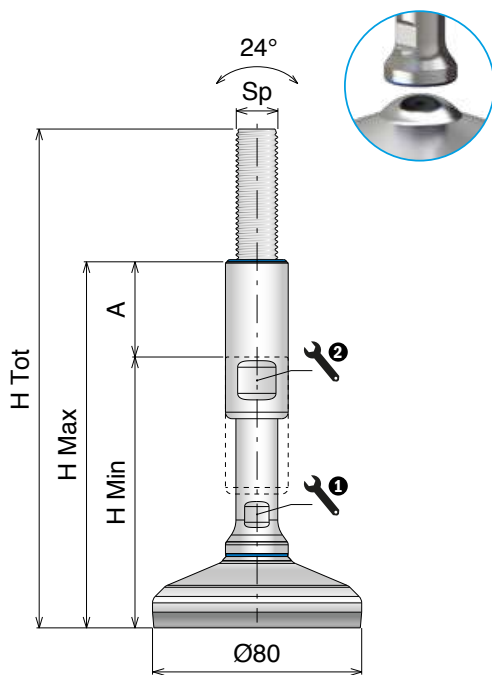
## Ø60

DIAMETER (mm)



SLIT VERSION ANTI-SLIP

Art-Nr.	Sp	H Tot (mm)	H Min (mm)	H Max (mm)	A (mm)	1 (mm)	2 (mm)	Load (N)
<b>902949</b>	M12	185	105	150	45	10	17	4.500
<b>902950</b>		235	135	200	65	10	17	
<b>902951</b>	M16	185	105	150	45	13	19	4.500
<b>902952</b>		235	135	200	65	13	19	
<b>902953</b>	M20	185	105	150	45	17	24	4.500
<b>902954</b>		235	135	200	65	17	24	
<b>902955</b>	M24	185	105	150	45	19	30	4.500
<b>902956</b>		235	135	200	65	19	30	
<b>902957</b>	M30	185	105	150	45	24	36	4.500
<b>902958</b>		235	135	200	65	24	36	
<b>902959</b>		295	195	260	65	24	36	
<b>902960</b>	M36	185	105	150	45	30	42	4.500
<b>902961</b>		235	135	200	65	30	42	
<b>902962</b>		295	195	260	65	30	42	



## Ø80

DIAMETER (mm)



SLIT VERSION ANTI-SLIP

Art-Nr.	Sp	H Tot (mm)	H Min (mm)	H Max (mm)	A (mm)	1 (mm)	2 (mm)	Load (N)
<b>902963</b>	M12	190	110	155	45	10	17	12.000
<b>902964</b>		240	140	205	65	10	17	
<b>902965</b>	M16	190	110	155	45	13	19	15.000
<b>902966</b>		240	140	205	65	13	19	
<b>902967</b>	M20	190	110	155	45	17	24	15.000
<b>902968</b>		240	140	205	65	17	24	
<b>902969</b>	M24	190	110	155	45	19	30	15.000
<b>902970</b>		240	140	205	65	19	30	
<b>902971</b>	M30	190	110	155	45	24	36	15.000
<b>902972</b>		240	140	205	65	24	36	
<b>902973</b>		300	200	265	65	24	36	
<b>902974</b>	M36	190	110	155	45	30	42	15.000
<b>902975</b>		240	140	205	65	30	42	
<b>902976</b>		300	200	265	65	30	42	



**CERTIFIED PRODUCTS**

ASK FOR CERTIFICATION:  
certificate@movexii.com

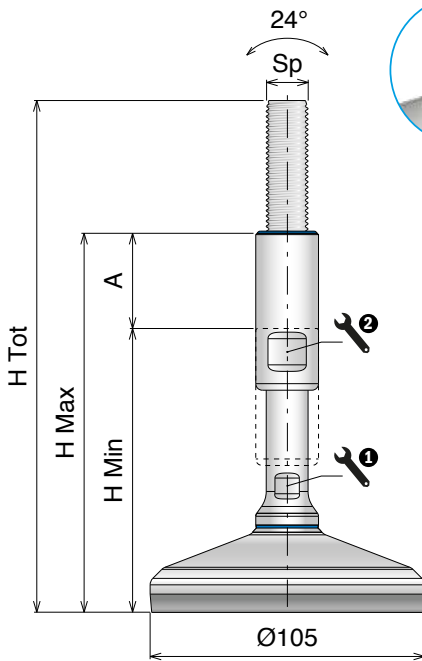
**Materiale / Material / Materialien:**

Base, stelo e boccia: Acciaio inox  
 Base plate, spindle and cover: Stainless steel  
 Fussplatte, Spindel und Hülse: Edelstahl

On request vulcanized rubber can be provided  
 white or blue and spindle can be made in AISI 316.

# C500 SPLIT

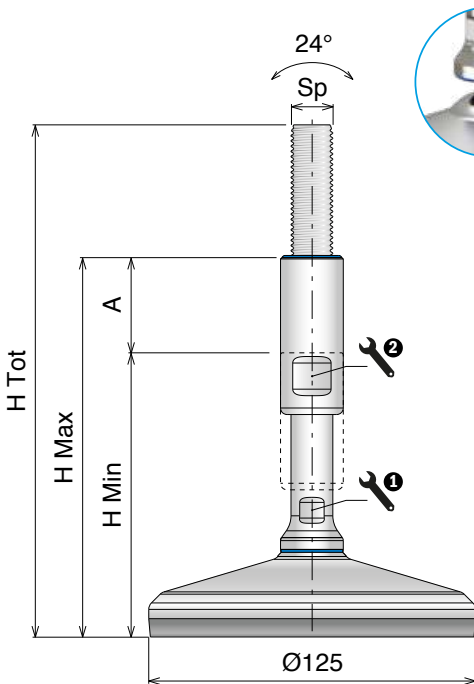
Piedi di livellamento / Leveling feet / Nivellierfüße



**Ø105**  
 DIAMETER (mm)



Art-Nr.	Sp	H Tot (mm)	H Min (mm)	H Max (mm)	A (mm)	1 (mm)	2 (mm)	Load (N)
<b>902977</b>	M12	195	115	160	45	10	17	12.000
<b>902978</b>		245	145	210	65	10	17	
<b>902979</b>	M16	195	115	160	45	13	19	25.000
<b>902980</b>		245	145	210	65	13	19	
<b>902981</b>	M20	195	115	160	45	17	24	25.000
<b>902982</b>		245	145	210	65	17	24	
<b>902983</b>	M24	195	115	160	45	19	30	25.000
<b>902984</b>		245	145	210	65	19	30	
<b>902985</b>	M30	195	115	160	45	24	36	25.000
<b>902986</b>		245	145	210	65	24	36	
<b>902987</b>		305	205	270	65	24	36	
<b>902988</b>	M36	195	115	160	45	30	42	25.000
<b>902989</b>		245	145	210	65	30	42	
<b>902990</b>		305	205	270	65	30	42	



**Ø125**  
 DIAMETER (mm)



Art-Nr.	Sp	H Tot (mm)	H Min (mm)	H Max (mm)	A (mm)	1 (mm)	2 (mm)	Load (N)
<b>902991</b>	M12	195	115	160	45	10	17	12.000
<b>902992</b>		245	145	210	65	10	17	
<b>902993</b>	M16	195	115	160	45	13	19	30.000
<b>902994</b>		245	145	210	65	13	19	
<b>902995</b>	M20	195	115	160	45	17	24	30.000
<b>902996</b>		245	145	210	65	17	24	
<b>902997</b>	M24	195	115	160	45	19	30	30.000
<b>902998</b>		245	145	210	65	19	30	
<b>902999</b>	M30	195	115	160	45	24	36	30.000
<b>903000</b>		245	145	210	65	24	36	
<b>903001</b>		305	205	270	65	24	36	
<b>903002</b>	M36	195	115	160	45	30	42	30.000
<b>903003</b>		245	145	210	65	30	42	
<b>903004</b>		305	205	270	65	30	42	



**CERTIFIED PRODUCTS**  
 ASK FOR CERTIFICATION:  
[certificate@movexii.com](mailto:certificate@movexii.com)

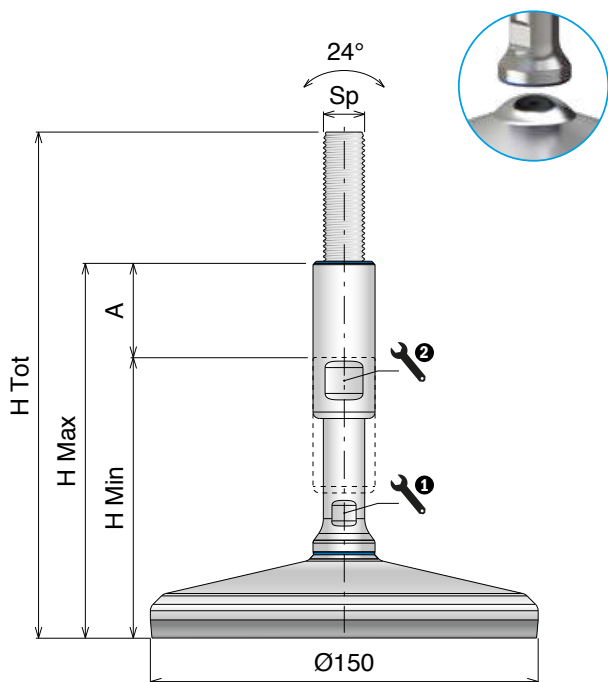
# C500 SPLIT

Piedi di livellamento / Leveling feet / Nivellierfüße

On request vulcanized rubber can be provided  
white or blue and spindle can be made in AISI 316.

## Materiale / Material / Materialien:

Base, stelo e boccia: Acciaio inox  
Base plate, spindle and cover: Stainless steel  
Fussplatte, Spindel und Hülse: Edelstahl



Ø150  
DIAMETER (mm)



Art-Nr.	Sp	H Tot (mm)	H Min (mm)	H Max (mm)	A (mm)	1 (mm)	2 (mm)	Load (N)
<b>903005</b>	M12	195	115	160	45	10	17	12.000
<b>903006</b>		245	145	210	65	10	17	
<b>903007</b>	M16	195	115	160	45	13	19	30.000
<b>903008</b>		245	145	210	65	13	19	
<b>903009</b>	M20	195	115	160	45	17	24	45.000
<b>903010</b>		245	145	210	65	17	24	
<b>903011</b>	M24	195	115	160	45	19	30	45.000
<b>903012</b>		245	145	210	65	19	30	
<b>903013</b>	M30	195	115	160	45	24	36	45.000
<b>903014</b>		245	145	210	65	24	36	
<b>903015</b>		305	205	270	65	24	36	
<b>903016</b>	M36	195	115	160	45	30	42	45.000
<b>903017</b>		245	145	210	65	30	42	
<b>903018</b>		305	205	270	65	30	42	



## CERTIFIED PRODUCTS

ASK FOR CERTIFICATION:  
certificate@movexii.com

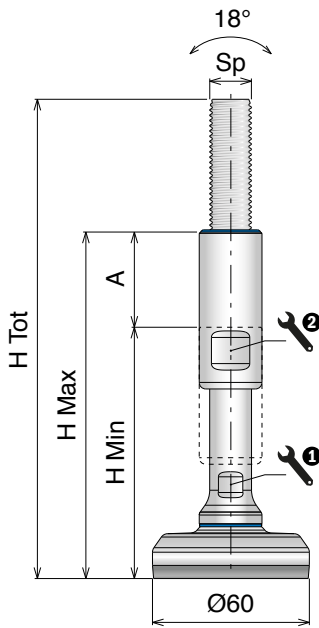
**Materiale / Material / Materialien:**

Base, stelo, rondella e boccia: Acciaio inox  
 Base plate, spindle, washer and cover: Stainless steel  
 Fussplatte, Spindel, Scheibe und Hülse: Edelstahl

On request vulcanized rubber can be provided  
 white or blue and spindle can be made in AISI 316.

# C500 HEAVY

Piedi di livellamento / Leveling feet / Nivellierfüße



**Ø 60**

DIAMETER (mm)

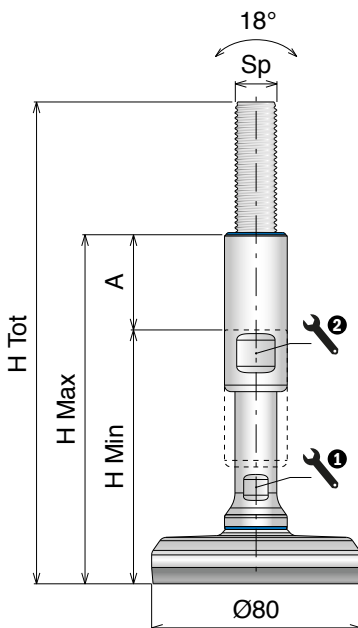


HIGH LOAD



ANTI-SLIP

Art-Nr.	Sp	H Tot (mm)	H Min (mm)	H Max (mm)	A (mm)	1 (mm)	2 (mm)	Load (N)
903019	M12	182,5	102,5	147,5	45	10	17	12.000
903020		232,5	132,5	197,5	65	10	17	
903021	M16	182,5	102,5	147,5	45	13	19	30.000
903022		232,5	132,5	197,5	65	13	19	
903023	M20	182,5	102,5	147,5	45	17	24	45.000
903024		232,5	132,5	197,5	65	17	24	
903025	M24	182,5	102,5	147,5	45	19	30	60.000
903026		232,5	132,5	197,5	65	19	30	
903027	M30	182,5	102,5	147,5	45	24	36	60.000
903028		232,5	132,5	197,5	65	24	36	
903029		292,5	192,5	257,5	65	24	36	
903030	M36	182,5	102,5	147,5	45	30	42	60.000
903031		232,5	132,5	197,5	65	30	42	
903032		292,5	192,5	257,5	65	30	42	



**Ø 80**

DIAMETER (mm)



HIGH LOAD



ANTI-SLIP

Art-Nr.	Sp	H Tot (mm)	H Min (mm)	H Max (mm)	A (mm)	1 (mm)	2 (mm)	Load (N)
903033	M12	183,5	103,5	148,5	45	10	17	12.000
903034		233,5	133,5	198,5	65	10	17	
903035	M16	183,5	103,5	148,5	45	13	19	30.000
903036		233,5	133,5	198,5	65	13	19	
903037	M20	183,5	103,5	148,5	45	17	24	45.000
903038		233,5	133,5	198,5	65	17	24	
903039	M24	183,5	103,5	148,5	45	19	30	70.000
903040		233,5	133,5	198,5	65	19	30	
903041	M30	183,5	103,5	148,5	45	24	36	80.000
903042		233,5	133,5	198,5	65	24	36	
903043		293,5	193,5	258,5	65	24	36	
903044	M36	183,5	103,5	148,5	45	30	42	80.000
903045		233,5	133,5	198,5	65	30	42	
903046		293,5	193,5	258,5	65	30	42	



**CERTIFIED PRODUCTS**

ASK FOR CERTIFICATION:  
 certificate@movexii.com

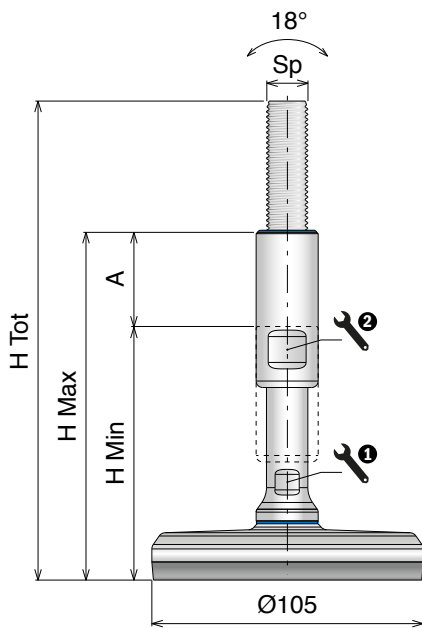
# C500 HEAVY

Piedi di livellamento / Leveling feet / Nivellierfüße

On request vulcanized rubber can be provided  
white or blue and spindle can be made in AISI 316.

**Materiale / Material / Materialien:**

Base, stelo, rondella e boccola: Acciaio inox  
Base plate, spindle, washer and cover: Stainless steel  
Fussplatte, Spindel, Scheibe und Hülse: Edelstahl



## Ø105

DIAMETER (mm)

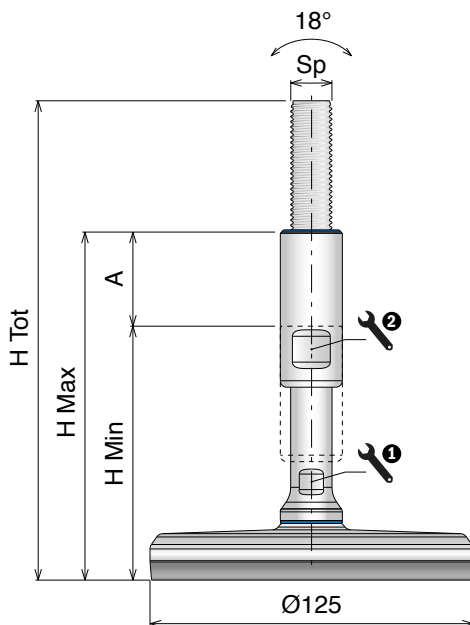


HIGH LOAD



ANTI-SLIP

Art-Nr.	Sp	H Tot (mm)	H Min (mm)	H Max (mm)	A (mm)	1 (mm)	2 (mm)	Load (N)
903047	M12	184,5	104,5	149,5	45	10	17	12.000
903048		234,5	134,5	199,5	65	10	17	
903049	M16	184,5	104,5	149,5	45	13	19	30.000
903050		234,5	134,5	199,5	65	13	19	
903051	M20	184,5	104,5	149,5	45	17	24	45.000
903052		234,5	134,5	199,5	65	17	24	
903053	M24	184,5	104,5	149,5	45	19	30	70.000
903054		234,5	134,5	199,5	65	19	30	
903055	M30	184,5	104,5	149,5	45	24	36	100.000
903056		234,5	134,5	199,5	65	24	36	
903057		294,5	194,5	259,5	65	24	36	
903058	M36	184,5	104,5	149,5	45	30	42	120.000
903059		234,5	134,5	199,5	65	30	42	
903060		294,5	194,5	259,5	65	30	42	



## Ø125

DIAMETER (mm)



HIGH LOAD



ANTI-SLIP

Art-Nr.	Sp	H Tot (mm)	H Min (mm)	H Max (mm)	A (mm)	1 (mm)	2 (mm)	Load (N)
903061	M12	184,5	104,5	149,5	45	10	17	12.000
903062		234,5	134,5	199,5	65	10	17	
903063	M16	184,5	104,5	149,5	45	13	19	30.000
903064		234,5	134,5	199,5	65	13	19	
903065	M20	184,5	104,5	149,5	45	17	24	45.000
903066		234,5	134,5	199,5	65	17	24	
903067	M24	184,5	104,5	149,5	45	19	30	70.000
903068		234,5	134,5	199,5	65	19	30	
903069	M30	184,5	104,5	149,5	45	24	36	100.000
903070		234,5	134,5	199,5	65	24	36	
903071		294,5	194,5	259,5	65	24	36	
903072	M36	184,5	104,5	149,5	45	30	42	130.000
903073		234,5	134,5	199,5	65	30	42	
903074		294,5	194,5	259,5	65	30	42	



**CERTIFIED PRODUCTS**

ASK FOR CERTIFICATION:  
certificate@movexii.com



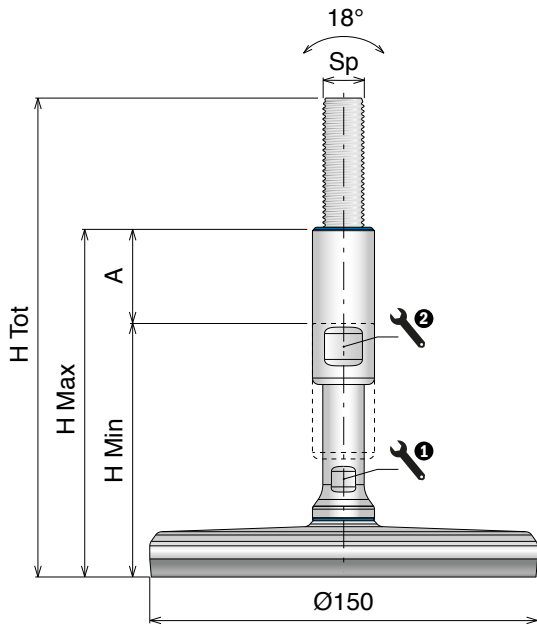
**Materiale / Material / Materialien:**

Base, stelo, rondella e boccia: Acciaio inox  
 Base plate, spindle, washer and cover: Stainless steel  
 Fussplatte, Spindel, Scheibe und Hülse: Edelstahl

On request vulcanized rubber can be provided  
 white or blue and spindle can be made in AISI 316.

# C500 HEAVY

Piedi di livellamento / Leveling feet / Nivellierfüße



## Ø 150

DIAMETER (mm)

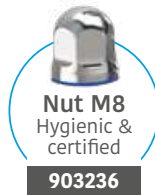
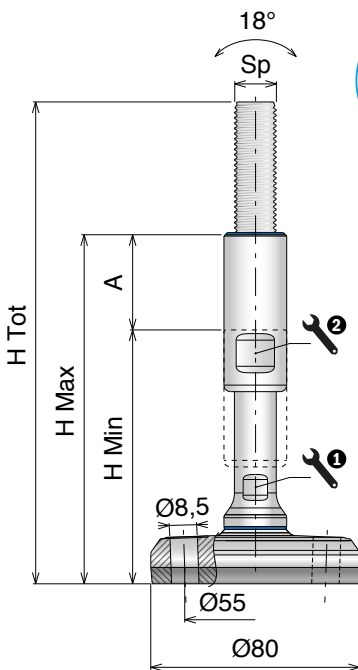


HIGH LOAD



ANTI-SLIP

Art-Nr.	Sp	H Tot (mm)	H Min (mm)	H Max (mm)	A (mm)	1 (mm)	2 (mm)	Load (N)
903075	M12	184,5	104,5	149,5	45	10	17	12.000
903076		234,5	134,5	199,5	65	10	17	
903077	M16	184,5	104,5	149,5	45	13	19	30.000
903078		234,5	134,5	199,5	65	13	19	
903079	M20	184,5	104,5	149,5	45	17	24	45.000
903080		234,5	134,5	199,5	65	17	24	
903081	M24	184,5	104,5	149,5	45	19	30	70.000
903082		234,5	134,5	199,5	65	19	30	
903083	M30	184,5	104,5	149,5	45	24	36	100.000
903084		234,5	134,5	199,5	65	24	36	
903085		294,5	194,5	259,5	65	24	36	
903086	M36	184,5	104,5	149,5	45	30	42	150.000
903087		234,5	134,5	199,5	65	30	42	
903088		294,5	194,5	259,5	65	30	42	



## Ø 80

DIAMETER (mm)



HIGH LOAD



FIXING POINT



ANTI-SLIP

Art-Nr.	Sp	H Tot (mm)	H Min (mm)	H Max (mm)	A (mm)	1 (mm)	2 (mm)	Load (N)
903103	M12	183,5	103,5	148,5	45	10	17	12.000
903104		233,5	133,5	198,5	65	10	17	
903105	M16	183,5	103,5	148,5	45	13	19	30.000
903106		233,5	133,5	198,5	65	13	19	
903107	M20	183,5	103,5	148,5	45	17	24	45.000
903108		233,5	133,5	198,5	65	17	24	
903109	M24	183,5	103,5	148,5	45	19	30	70.000
903110		233,5	133,5	198,5	65	19	30	
903111	M30	183,5	103,5	148,5	45	24	36	80.000
903112		233,5	133,5	198,5	65	24	36	
903113		293,5	193,5	258,5	65	24	36	
903114	M36	183,5	103,5	148,5	45	30	42	80.000
903115		233,5	133,5	198,5	65	30	42	
903116		293,5	193,5	258,5	65	30	42	



**CERTIFIED PRODUCTS**

ASK FOR CERTIFICATION:  
 certificate@movexii.com

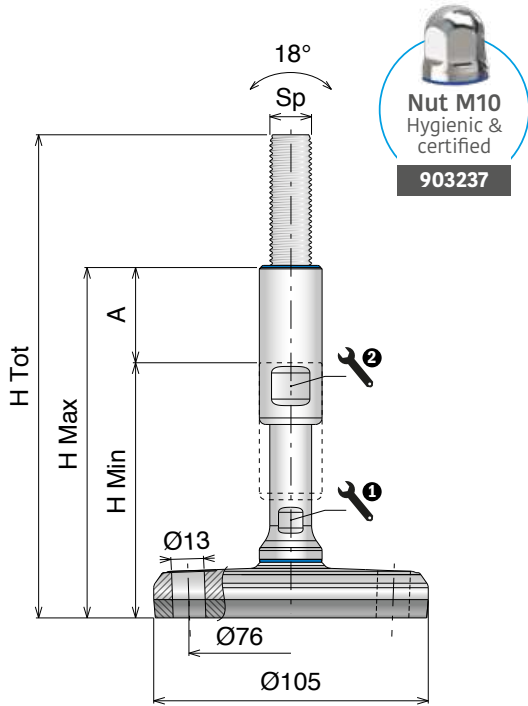
# C500 HEAVY

Piedi di livellamento / Leveling feet / Nivellierfüße

On request vulcanized rubber can be provided  
white or blue and spindle can be made in AISI 316.

## Materiale / Material / Materialien:

Base, stelo, rondella e boccola: Acciaio inox  
Base plate, spindle, washer and cover: Stainless steel  
Fussplatte, Spindel, Scheibe und Hülse: Edelstahl

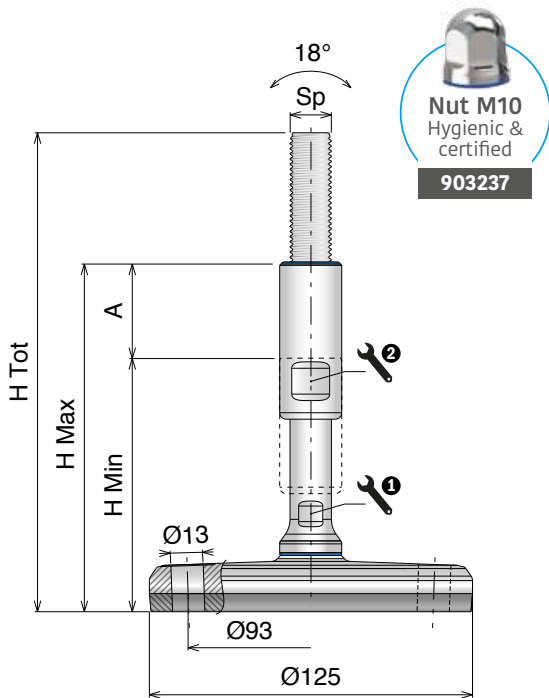


## Ø105

DIAMETER (mm)



Art-Nr.	Sp	H Tot (mm)	H Min (mm)	H Max (mm)	A (mm)	1 (mm)	2 (mm)	Load (N)
903117	M12	184,5	104,5	149,5	45	10	17	12.000
903118		234,5	134,5	199,5	65	10	17	
903119	M16	184,5	104,5	149,5	45	13	19	30.000
903120		234,5	134,5	199,5	65	13	19	
903121	M20	184,5	104,5	149,5	45	17	24	45.000
903122		234,5	134,5	199,5	65	17	24	
903123	M24	184,5	104,5	149,5	45	19	30	70.000
903124		234,5	134,5	199,5	65	19	30	
903125	M30	184,5	104,5	149,5	45	24	36	100.000
903126		234,5	134,5	199,5	65	24	36	
903127		294,5	194,5	259,5	65	24	36	
903128	M36	184,5	104,5	149,5	45	30	42	120.000
903129		234,5	134,5	199,5	65	30	42	
903130		294,5	194,5	259,5	65	30	42	



## Ø125

DIAMETER (mm)



Art-Nr.	Sp	H Tot (mm)	H Min (mm)	H Max (mm)	A (mm)	1 (mm)	2 (mm)	Load (N)
903131	M12	184,5	104,5	149,5	45	10	17	12.000
903132		234,5	134,5	199,5	65	10	17	
903133	M16	184,5	104,5	149,5	45	13	19	30.000
903134		234,5	134,5	199,5	65	13	19	
903135	M20	184,5	104,5	149,5	45	17	24	45.000
903136		234,5	134,5	199,5	65	17	24	
903137	M24	184,5	104,5	149,5	45	19	30	70.000
903138		234,5	134,5	199,5	65	19	30	
903139	M30	184,5	104,5	149,5	45	24	36	100.000
903140		234,5	134,5	199,5	65	24	36	
903141		294,5	194,5	259,5	65	24	36	
903142	M36	184,5	104,5	149,5	45	30	42	130.000
903143		234,5	134,5	199,5	65	30	42	
903144		294,5	194,5	259,5	65	30	42	



**CERTIFIED PRODUCTS**

ASK FOR CERTIFICATION:  
certificate@movexii.com

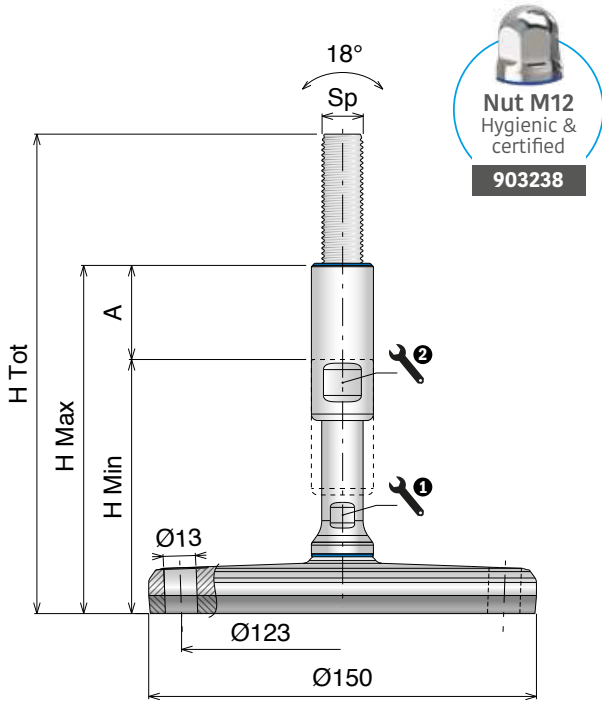
**Materiale / Material / Materialien:**

Base, stelo, rondella e boccia: Acciaio inox  
 Base plate, spindle, washer and cover: Stainless steel  
 Fussplatte, Spindel, Scheibe und Hülse: Edelstahl

On request vulcanized rubber can be provided  
 white or blue and spindle can be made in AISI 316.

# C500 HEAVY

Piedi di livellamento / Leveling feet / Nivellierfüße



## Ø 150

DIAMETER (mm)



HIGH LOAD



FIXING POINT



ANTI-SLIP

Art-Nr.	Sp	H Tot (mm)	H Min (mm)	H Max (mm)	A (mm)	1 (mm)	2 (mm)	Load (N)
903145	M12	184,5	104,5	149,5	45	10	17	12.000
903146		234,5	134,5	199,5	65	10	17	
903147	M16	184,5	104,5	149,5	45	13	19	30.000
903148		234,5	134,5	199,5	65	13	19	
903149	M20	184,5	104,5	149,5	45	17	24	45.000
903150		234,5	134,5	199,5	65	17	24	
903151	M24	184,5	104,5	149,5	45	19	30	70.000
903152		234,5	134,5	199,5	65	19	30	
903153	M30	184,5	104,5	149,5	45	24	36	100.000
903154		234,5	134,5	199,5	65	24	36	
903155		294,5	194,5	259,5	65	24	36	
903156	M36	184,5	104,5	149,5	45	30	42	150.000
903157		234,5	134,5	199,5	65	30	42	
903158		294,5	194,5	259,5	65	30	42	



**CERTIFIED PRODUCTS**

ASK FOR CERTIFICATION:  
[certificate@movexii.com](mailto:certificate@movexii.com)

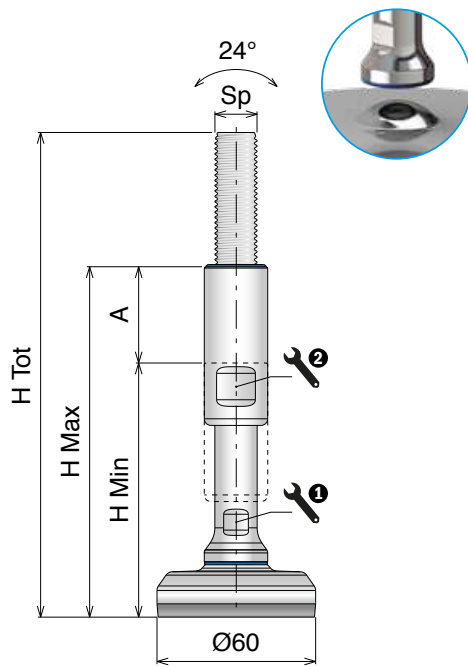
# C500 HEAVY-SPLIT

Piedi di livellamento / Leveling feet / Nivellierfüße

On request vulcanized rubber can be provided  
white or blue and spindle can be made in AISI 316.

**Materiale / Material / Materialien:**

Base, stelo e boccola: Acciaio inox  
Base plate, spindle and cover: Stainless steel  
Fussplatte, Spindel und Hülse: Edelstahl



Ø 60

DIAMETER (mm)



HIGH LOAD

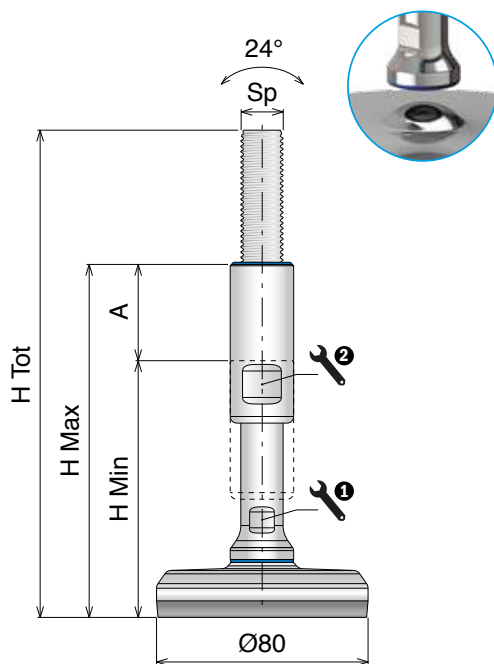


SLIT VERSION



ANTI-SLIP

Art-Nr.	Sp	H Tot (mm)	H Min (mm)	H Max (mm)	A (mm)	1 (mm)	2 (mm)	Load (N)
903159	M12	182,5	102,5	147,5	45	10	17	12.000
903160		232,5	132,5	197,5	65	10	17	
903161	M16	182,5	102,5	147,5	45	13	19	30.000
903162		232,5	132,5	197,5	65	13	19	
903163	M20	182,5	102,5	147,5	45	17	24	45.000
903164		232,5	132,5	197,5	65	17	24	
903165	M24	182,5	102,5	147,5	45	19	30	60.000
903166		232,5	132,5	197,5	65	19	30	
903167	M30	182,5	102,5	147,5	45	24	36	60.000
903168		232,5	132,5	197,5	65	24	36	
903169		292,5	192,5	257,5	65	24	36	
903170	M36	182,5	102,5	147,5	45	30	42	60.000
903171		232,5	132,5	197,5	65	30	42	
903172		292,5	192,5	257,5	65	30	42	



Ø 80

DIAMETER (mm)



HIGH LOAD



SLIT VERSION



ANTI-SLIP

Art-Nr.	Sp	H Tot (mm)	H Min (mm)	H Max (mm)	A (mm)	1 (mm)	2 (mm)	Load (N)
903173	M12	183,5	103,5	148,5	45	10	17	12.000
903174		233,5	133,5	198,5	65	10	17	
903175	M16	183,5	103,5	148,5	45	13	19	30.000
903176		233,5	133,5	198,5	65	13	19	
903177	M20	183,5	103,5	148,5	45	17	24	45.000
903178		233,5	133,5	198,5	65	17	24	
903179	M24	183,5	103,5	148,5	45	19	30	70.000
903180		233,5	133,5	198,5	65	19	30	
903181	M30	183,5	103,5	148,5	45	24	36	80.000
903182		233,5	133,5	198,5	65	24	36	
903183		293,5	193,5	258,5	65	24	36	
903184	M36	183,5	103,5	148,5	45	30	42	80.000
903185		233,5	133,5	198,5	65	30	42	
903186		293,5	193,5	258,5	65	30	42	



**CERTIFIED PRODUCTS**

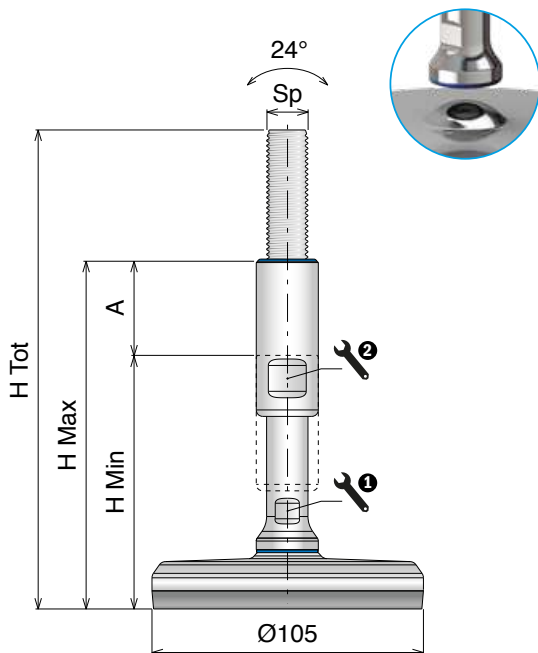
ASK FOR CERTIFICATION:  
certificate@movexii.com

**Materiale / Material / Materialien:**  
 Base, stelo e boccia: Acciaio inox  
 Base plate, spindle and cover: Stainless steel  
 Fussplatte, Spindel und Hülse: Edelstahl

On request vulcanized rubber can be provided  
 white or blue and spindle can be made in AISI 316.

# C500 HEAVY-SPLIT

Piedi di livellamento / Leveling feet / Nivellierfüße



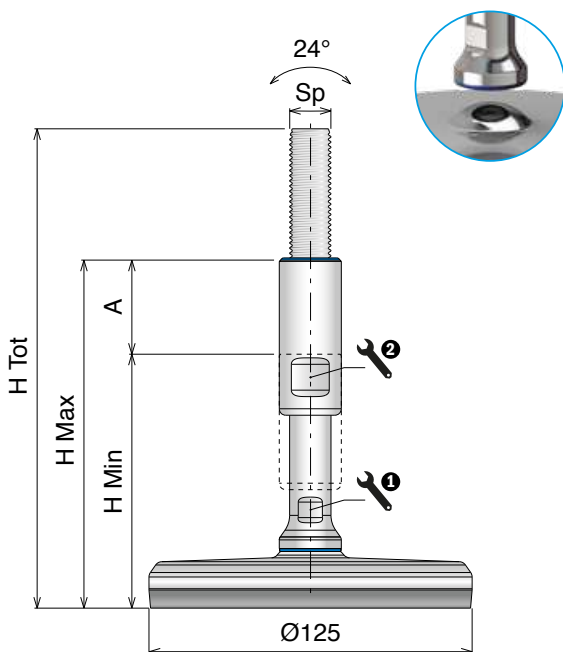
**Ø105**  
 DIAMETER (mm)

**Kg**  
 HIGH LOAD

**Slit Version**  
 SLIT VERSION

**Anti-Slip**  
 ANTI-SLIP

Art-Nr.	Sp	H Tot (mm)	H Min (mm)	H Max (mm)	A (mm)	1 (mm)	2 (mm)	Load (N)
<b>903187</b>	M12	184,5	104,5	149,5	45	10	17	12.000
<b>903188</b>		234,5	134,5	199,5	65	10	17	
<b>903189</b>	M16	184,5	104,5	149,5	45	13	19	30.000
<b>903190</b>		234,5	134,5	199,5	65	13	19	
<b>903191</b>	M20	184,5	104,5	149,5	45	17	24	45.000
<b>903192</b>		234,5	134,5	199,5	65	17	24	
<b>903193</b>	M24	184,5	104,5	149,5	45	19	30	70.000
<b>903194</b>		234,5	134,5	199,5	65	19	30	
<b>903195</b>	M30	184,5	104,5	149,5	45	24	36	100.000
<b>903196</b>		234,5	134,5	199,5	65	24	36	
<b>903197</b>		294,5	194,5	259,5	65	24	36	
<b>903198</b>	M36	184,5	104,5	149,5	45	30	42	120.000
<b>903199</b>		234,5	134,5	199,5	65	30	42	
<b>903200</b>		294,5	194,5	259,5	65	30	42	



**Ø125**  
 DIAMETER (mm)

**Kg**  
 HIGH LOAD

**Slit Version**  
 SLIT VERSION

**Anti-Slip**  
 ANTI-SLIP

Art-Nr.	Sp	H Tot (mm)	H Min (mm)	H Max (mm)	A (mm)	1 (mm)	2 (mm)	Load (N)
<b>903201</b>	M12	184,5	104,5	149,5	45	10	17	12.000
<b>903202</b>		234,5	134,5	199,5	65	10	17	
<b>903203</b>	M16	184,5	104,5	149,5	45	13	19	30.000
<b>903204</b>		234,5	134,5	199,5	65	13	19	
<b>903205</b>	M20	184,5	104,5	149,5	45	17	24	45.000
<b>903206</b>		234,5	134,5	199,5	65	17	24	
<b>903207</b>	M24	184,5	104,5	149,5	45	19	30	70.000
<b>903208</b>		234,5	134,5	199,5	65	19	30	
<b>903209</b>	M30	184,5	104,5	149,5	45	24	36	100.000
<b>903210</b>		234,5	134,5	199,5	65	24	36	
<b>903211</b>		294,5	194,5	259,5	65	24	36	
<b>903212</b>	M36	184,5	104,5	149,5	45	30	42	130.000
<b>903213</b>		234,5	134,5	199,5	65	30	42	
<b>903214</b>		294,5	194,5	259,5	65	30	42	



**CERTIFIED PRODUCTS**  
 ASK FOR CERTIFICATION:  
[certificate@movexii.com](mailto:certificate@movexii.com)

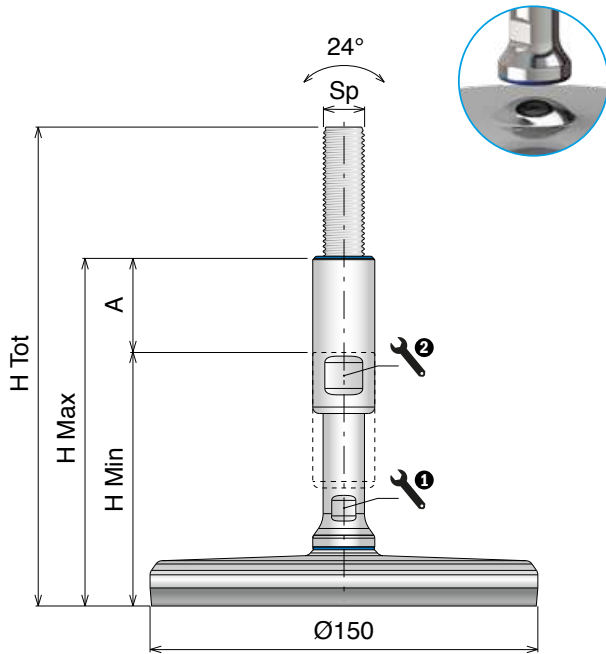
# C500 HEAVY-SPLIT

Piedi di livellamento / Leveling feet / Nivellierfüße

On request vulcanized rubber can be provided  
white or blue and spindle can be made in AISI 316.

## Materiale / Material / Materialien:

Base, stelo e boccola: Acciaio inox  
Base plate, spindle and cover: Stainless steel  
Fussplatte, Spindel und Hülse: Edelstahl



Ø150  
DIAMETER (mm)



HIGH LOAD



SLIT VERSION



ANTI-SLIP

Art-Nr.	Sp	H Tot (mm)	H Min (mm)	H Max (mm)	A (mm)	1 (mm)	2 (mm)	Load (N)
<b>903215</b>	M12	184,5	104,5	149,5	45	10	17	12.000
<b>903216</b>		234,5	134,5	199,5	65	10	17	
<b>903217</b>	M16	184,5	104,5	149,5	45	13	19	30.000
<b>903218</b>		234,5	134,5	199,5	65	13	19	
<b>903219</b>	M20	184,5	104,5	149,5	45	17	24	45.000
<b>903220</b>		234,5	134,5	199,5	65	17	24	
<b>903221</b>	M24	184,5	104,5	149,5	45	19	30	70.000
<b>903222</b>		234,5	134,5	199,5	65	19	30	
<b>903223</b>	M30	184,5	104,5	149,5	45	24	36	100.000
<b>903224</b>		234,5	134,5	199,5	65	24	36	
<b>903225</b>		294,5	194,5	259,5	65	24	36	
<b>903226</b>	M36	184,5	104,5	149,5	45	30	42	150.000
<b>903227</b>		234,5	134,5	199,5	65	30	42	
<b>903228</b>		294,5	194,5	259,5	65	30	42	



## CERTIFIED PRODUCTS

ASK FOR CERTIFICATION:  
certificate@movexii.com

**NEW 903** Boccia superiore certificata ed igienica  
 Certified hygienic top cover / Zertifiziert hygienische Abdeckkölse

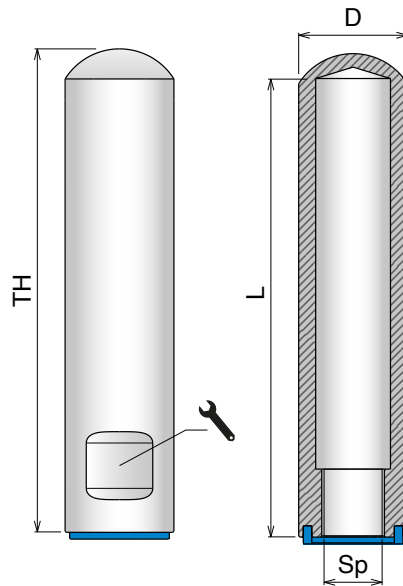
Delivery: **Easy** **Standard**



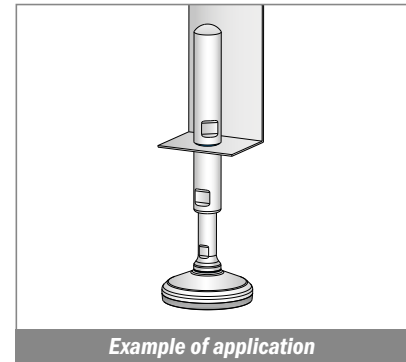
**Main features:**

- Stainless steel AISI 304
- Blue seal for hermetic closure
- Perfect to protect the threaded spindle

Art-Nr.	Sp	D	TH	L	
903229	M12	Ø20	110	100	17
903230	M16	Ø24	110	100	19
903231	M20	Ø30	110	100	24
903232	M24	Ø34	110	100	30
903233	M30	Ø40	110	100	36
903234	M36	Ø46	110	100	42



**CERTIFIED PRODUCTS**  
 ASK FOR CERTIFICATION:  
[certificate@movexii.com](mailto:certificate@movexii.com)



**NEW 903** Vite igienica certificata ed igienica  
 Certified hygienic screw / Zertifiziert hygienische Schraube

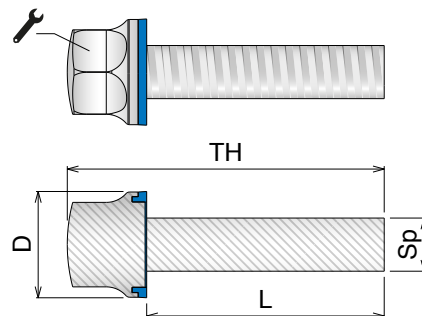
Delivery: **Easy** **Standard**



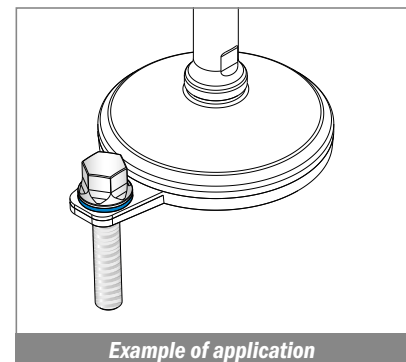
**Main features:**

- Stainless steel AISI 304
- Blue seal for hermetic closure

Art-Nr.	Sp	D	TH	L		Box
903255	M8	16	58	45	13	10 pcs
903253	M10	20	60	45	16	10 pcs
903251	M12	24,5	78	60	18	10 pcs



**CERTIFIED PRODUCTS**  
 ASK FOR CERTIFICATION:  
[certificate@movexii.com](mailto:certificate@movexii.com)



**NEW 903**

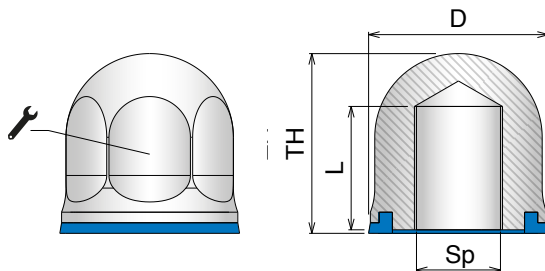
**Dado certificato ed igienico**  
**Certified hygienic nut / Zertifiziert hygienische Hutmutter**

Delivery: **Easy** **Standard**



**Main features:**

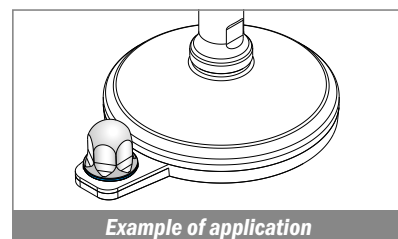
- Stainless steel AISI 304
- Blue seal for hermetic closure



Art-Nr.	Sp	D	TH	L		Box
903235	M6	13	14	10	10	10 pcs
903236	M8	16	17	12	13	10 pcs
903237	M10	20	20,5	15	16	10 pcs
903238	M12	24,5	25	18	18	10 pcs
903239	M16	32	32	23	24	10 pcs
903240	M20	39	38	27	30	10 pcs



**CERTIFIED PRODUCTS**  
 ASK FOR CERTIFICATION:  
 certificate@movexii.com



**998**

**Dado**  
**Nut / Sechskantmutter**

Delivery: **Easy** **Standard**



**Main features:**

- Stainless steel (SS) or Zinc plated steel (FeZn)
- UNI 5588 - ISO 4032 - DIN 934

Art-Nr.	Art-Nr.	Sp	Box
SS	FeZn		
99801	99801Z	M10	50 pcs
99802	99802Z	M12	50 pcs
99804	99804Z	M16	10 pcs
99805	99805Z	M20	10 pcs
99806	99806Z	M24	5 pcs
99807	99807Z	M30	5 pcs
99808	99808Z	M36	5 pcs

**996**

**Gomma anti-scivolo**  
**Anti-slip pad / Gummiplatte**

Delivery: **Easy** **Standard**



**Main features:**

- High quality vulcanized anti-slip NBR rubber
- Suitable for leveling feet Basic, Articulated, Muscle and P400R series

Art-Nr.	For base
99601	Ø40
99602	Ø50
99603	Ø60
99604	Ø80
99605	Ø100
99607	Ø110
99606	Ø120
99608	Ø123

**CORRELATED PRODUCTS**

**Support base**



Page 514/515

**Threaded bushings**

POLYAMIDE



Page 524/525

**Threaded bushings**

AISI 304



Page 526