

Easy Clean Levelling Feet

Excellent hygienic design to help reduce the risk of contamination.
High quality adjustable feet with an aesthetically pleasing style.



Overview

Easy Clean Levelling feet offering:

- Stainless steel construction
- Sleek and rounded design
- Various sizes from stock
- A hygienic solution
- Sleeved threads available on request

Our team can advise you on the best solution for your application.

Key Properties

High quality stainless steel construction:

- Corrosion resistance
- Absorbs vibration
- Non-slip base
- Easy clean design

Benefits

Excellent quality you can rely on:

- Hygienic standard
- Aesthetically pleasing design
- Core range available from stock
- Stability and strength

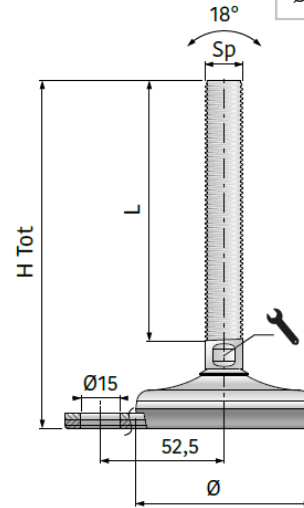
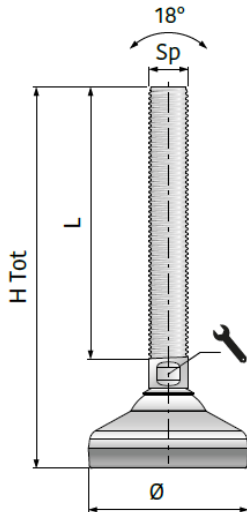


Certified versions available

Easy Clean Levelling Feet - S400 Series

A range of stainless steel, adjustable feet with a hygienic design.

Key
 Sp = Spindle thread size
 Th = Total height
 L = Spindle length
 N = Newtons
 18° = Articulation
 E = Fixing hole centre
 Ø15 = Diameter of hole



Article Number	Dia. (mm)	SP	H Tot (mm)	L (mm)	Wrench (mm)	Load (n)
901040	65	M12	95.7	50.8	10	5,000

Article Number	Dia. (mm)	SP	H Tot (mm)	L (mm)	Wrench (mm)	Load (n)
901061	75	M16	148.3	111.3	13	8,000
901062	75		178.3	141.3	13	8,000
901067	75	M20	178.3	142.3	17	8,000

Article Number	Dia. (mm)	SP	H Tot (mm)	L (mm)	Wrench (mm)	Load (n)
901107	100	M16	153.5	111.3	13	20,000
901108	100		183.5	141.3	13	20,000
901113	100	M20	183.5	142.3	17	20,000
901114	100		233.5	192.3	17	20,000

Article Number	Dia. (mm)	SP	H Tot (mm)	L (mm)	Wrench (mm)	Load (n)
901239	75	M16	148.3	111.3	13	8,000
901240	75		178.3	141.3	13	8,000
901245	75	M20	178.3	142.3	17	8,000

Article Number	Dia. (mm)	SP	H Tot (mm)	L (mm)	Wrench (mm)	Load (n)
901285	100	M16	153.5	111.3	13	20,000
901286	100		183.5	141.3	13	20,000
901291	100	M20	183.5	142.3	17	20,000
901292	100		233.5	192.3	17	20,000

Available from stock offered on Next Day Delivery service.
 Full range of sizes and styles can be found in our [Oadby Movex Catalogue](#).

