

## Easy Clean Levelling Feet

Excellent hygienic design to help reduce the risk of contamination.  
High quality adjustable feet with an aesthetically pleasing style.



### Overview

#### Easy Clean Levelling feet offering:

- Stainless steel construction
- Sleek and rounded design
- Various sizes from stock
- A hygienic solution
- Sleeved threads available on request

Our team can advise you on the best solution for your application.

### Key Properties

#### High quality stainless steel construction:

- Corrosion resistance
- Absorbs vibration
- Non-slip base
- Easy clean design

### Benefits

#### Excellent quality you can rely on:

- Hygienic standard
- Aesthetically pleasing design
- Core range available from stock
- Stability and strength

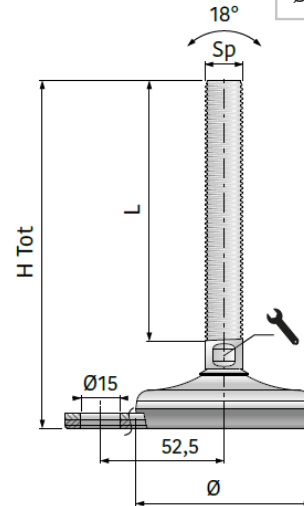
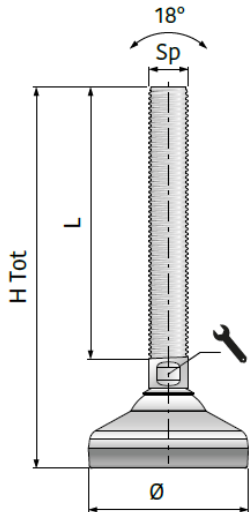


*Certified versions available*

# Easy Clean Levelling Feet - S400 Series

A range of stainless steel, adjustable feet with a hygienic design.

**Key**  
 Sp = Spindle thread size  
 Th = Total height  
 L = Spindle length  
 N = Newtons  
 18° = Articulation  
 E = Fixing hole centre  
 Ø15 = Diameter of hole



Article Number	Dia. (mm)	SP	H Tot (mm)	L (mm)	Wrench (mm)	Load (n)
901040	65	M12	95.7	50.8	10	4,500

Article Number	Dia. (mm)	SP	H Tot (mm)	L (mm)	Wrench (mm)	Load (n)
901086	80	M16	155	118	13	15,000
901087	80		185	148	13	15,000
901092	80	M20	185	148	17	15,000

Article Number	Dia. (mm)	SP	H Tot (mm)	L (mm)	Wrench (mm)	Load (n)
901132	105	M16	160	123	13	25,000
901133	105		190	153	13	25,000
901138	105	M20	190	153	17	25,000
901139	105		240	203	17	25,000

Article Number	Dia. (mm)	SP	H Tot (mm)	L (mm)	Wrench (mm)	Load (n)
901264	80	M16	155	118	13	15,000
901265	80		185	148	13	15,000
901270	80	M20	185	148	17	15,000

Article Number	Dia. (mm)	SP	H Tot (mm)	L (mm)	Wrench (mm)	Load (n)
901310	105	M16	160	123	13	25,000
901311	105		190	153	13	25,000
901316	105	M20	190	153	17	25,000
901317	105		240	203	17	25,000

Available from stock offered on Next Day Delivery service.  
 Full range of sizes and styles can be found in our [Oadby Movex Catalogue](#).

